

Ammeraal Beltech Modular

Innovative belt and chain solutions
for every industry & application



Content

uni 440 Tab	page 7 - 8
uni 820	page 9 - 10
uni 821	page 11 - 12
uni 831	page 13 - 14
uni 879 Super Flex	page 15 - 16
uni 879 Tab R	page 17 - 18
uni 879 Tab	page 19 - 20
uni 879	page 21 - 22
uni 880 Super Flex	page 23 - 24
uni 880 Tab R	page 25 - 26
uni 880 Tab RT	page 27 - 28
uni 880 Tab	page 29 - 30
uni 880	page 31 - 32
uni 882	page 33 - 34
uni 882 Tab	page 35 - 36
uni 800 Double Hinge	page 37 - 38
uni 802 Double Hinge	page 39 - 40
uni 810 Single Hinge	page 41 - 42
uni 812 Single Hinge	page 43 - 44
uni 815 Single Hinge	page 45 - 46
uni 881 Bevel	page 47 - 48
uni 881 Bevel v2	page 49 - 50

Content

uni 881 Tab	page 51 - 52
uni 881 Tab v2	page 53 - 54
uni 881 Tab v3	page 55 - 56
uni 805 Double Hinge (MTO)	page 57 - 58
uni 810 Single Hinge (MTO)	page 59 - 60
uni 812 Single Hinge (MTO)	page 61 - 62
uni 815 Single Hinge (MTO)	page 63 - 64
uni 881 Bevel (MTO)	page 65 - 66
uni 881 Super Flex (MTO)	page 67 - 68
uni 881 Super Flex (MTO) v2	page 69 - 70
uni 805 Plus+ Double Hinge	page 71 - 72
uni 815 Plus+ Single Hinge	page 73 - 74
uni 8811 Plus+ Magnetic	page 75 - 76
uni 8811 Plus+ Tab	page 77 - 78
uni 512 Plus+ Single Hinge (MTO)	page 79 - 80
uni 815 Plus+ Single Hinge (MTO)	page 81 - 82
uni 815 Plus+ Single Hinge Narrow (MTO)	page 83 - 84
uni 815 Plus+ Single Hinge Optical (MTO)	page 85 - 86
uni 8127 Plus+ Single Hinge Wide (MTO)	page 87 - 88
uni 8811 Plus+ Bevel (MTO)	page 89 - 90
uni 8811 Plus+ Magnetic (MTO)	page 91 - 92
uni 8811 Plus+ Magnetic Optical (MTO)	page 93 - 94
uni 8811 Plus+ Tab (MTO)	page 95 - 96
uni 8817 Plus+ Magnetic Wide (MTO)	page 97 - 98

Content

uni 843	page 99 - 100
uni 863 Tab	page 101 - 102
uni 863	page 103 - 104
uni 963 Tab	page 105 - 106
uni 963	page 107 - 108
uni 1843	page 109 - 110
uni 1873 Grip D	page 111 - 112
uni 1873 Grip G3	page 113 - 114
uni 1873 Grip G4	page 115 - 116
uni 1873 Grip G4L	page 117 - 118
uni 1873SE	page 119 - 120
uni 1873 ST	page 121 - 122
uni 1873	page 123 - 124
uni 3873	page 125 - 126
uni 843 SK	page 127 - 128
uni 843 SKR	page 129 - 130
uni 3200	page 131 - 132
uni 821 PRR	page 133 - 134
uni 821 PRR4	page 135 - 136
uni 821 RO	page 137 - 138
uni 879 Tab R G4	page 139 - 140
uni 879 Tab Safety	page 141 - 142
uni 879 Tab Safety Finger	page 143 - 144
uni 880 Rib Flex	page 145 - 146

Content

uni 880 Rib	page 147 - 148
uni 882 Tab PRR	page 149 - 150
uni 882 Tab PRR4	page 151 - 152
uni 882 Rib Flex	page 153 - 154
uni 882 Tab SC	page 155 - 156
uni 982 SC	page 157 - 158
uni NH78	page 159 - 160
uni 1400	page 161 - 162
uni 1400 Tab	page 163 - 164
uni 1700	page 165 - 166
uni 1701	page 167 - 168
uni 1701 Tab	page 169 - 170
uni 1701 Tab R	page 171 - 172
uni 1701 Tab R ST	page 173 - 174
uni 1702	page 175 - 176
uni 1702 H	page 177 - 178
uni 1702 M	page 179 - 180
uni 1703	page 181 - 182
uni 1704	page 183 - 184
uni 1705	page 185 - 186
uni 1706	page 187 - 188
uni 1707	page 189 - 190
uni 2500	page 191 - 192
uni 2600 C	page 193 - 194

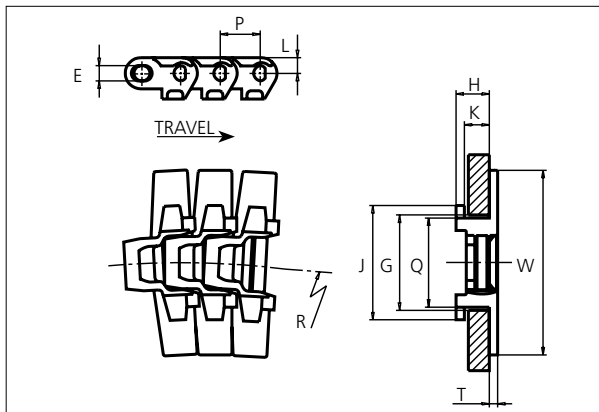
Content

uni 2600 CV	page 195 - 196
uni 2600 Tab O	page 197 - 198
uni 2600 Tab O M	page 199 - 200
uni 2600 O	page 201 - 202
uni 2600 OV	page 203 - 204
uni 2600 Tab C	page 205 - 206
uni 2700	page 207 - 208
uni 3200 Tab	page 209 - 210
uni 2700 H	page 211 - 212
uni 3000	page 213 - 214
uni 2800 Tab	page 215 - 216
uni 2700 H R	page 217 - 218
uni 2800	page 219 - 220
uni 2700 LH	page 221 - 222
uni 2700 R	page 223 - 224
uni 2600 O M	page 225 - 226
Rubber Profile overview - pdf	page 227 - 230



Slat Top Plastic Chain

Series **uni 440** Type **Tab**



Slat Top Plastic Chain
 Side flexing chain
 Pitch: 19.1 mm (0.75 in)
 Backflex radius:
 12.5 mm (0.5 in)
 Permissible tensile strength:
 POM material:
 1100 N (247 lbf)
 Standard shipping lengths:
 boxes of 160 links
 = 3.048 m (10.0 ft)

STANDARD

E		G		H		J		K		L		P		Q		T	
mm	in	mm	in	mm	in	mm	in	mm	in	mm	in	mm	in	mm	in	mm	in
7.4	0.29	44.5	1.75	15.9	0.63	55.0	2.17	11.9	0.47	7.5	0.30	19.1	0.75	42.9	1.69	4.0	0.16

All dimensions are for chains in POM material.

	Width (W)		Material & color	Pin material	Weight		Min. radius (R)	
	mm	in			kg/m	lb/ft	mm	in
K250	63.5	2.50	POM-LF BR	SS304	1.2	0.81	175	6.89
K325	82.6	3.25	POM-LF BR	SS304	1.3	0.87	175	6.89
K350	88.9	3.50	POM-LF BR	SS304	1.3	0.87	175	6.89
K450	114.3	4.50	POM-LF BR	SS304	1.4	0.94	175	6.89
K750	190.5	7.50	POM-LF BR	SS304	1.6	1.07	175	6.89

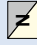
Non standard material and color: See uni Material and Color Overview.
 Non standard pin material: See uni Material and Color Overview.

SIDE FLEXING

PITCH 19.1 MM/0.75 IN

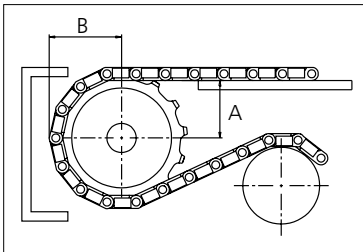


Sprocket

No of teeth	Pitch diameter		Overall diameter		Min. ø bore		Max. ø bore		Hub diameter		Dimension A		Dimension B		Machined  PAG
	mm	in	mm	in	mm	in	mm	in	mm	in	mm	in	mm	in	
Z9	55.8	2.20	57.0	2.20	10.0	0.40	25.0	1.00	37.0	1.50	29.8	1.20	35.6	1.40	✓
Z12	73.8	2.91	76.0	3.00	10.0	0.40	30.0	1.20	56.0	2.20	39.2	1.50	44.5	1.80	✓
Z20	122.1	4.81	125.3	4.90	18.0	0.70	70.0	2.80	105.0	4.10	63.8	2.50	68.6	2.70	✓

Non standard material and color:
See uni Material and Color Overview.

Machined sprocket



Please ensure that sufficient size shaft and keyway are chosen for corresponding load.

Other sprocket sizes are available upon request
Width of tooth: 15.8 mm/0.60 in
Width of sprocket: 25.0 mm/0.10 in
uni Retainer Rings: See uni Retainer Ring data sheet

uni 440 Tab/160615



Conveyor Belts



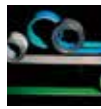
Seamless Belts



Modular Belts



Timing Belts



Transmission Belts



Fabrication & service

Solid advice
For all your belting needs
Local stock & service
www.ammeraalbeltech.com

Ammeraal Beltech Modular A/S
Hjulmagervej 21
DK-7100 Vejle

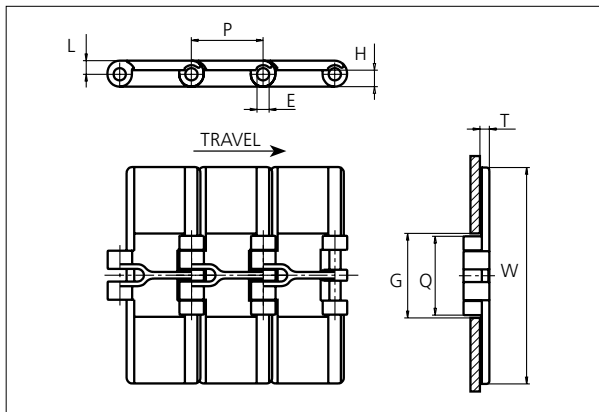
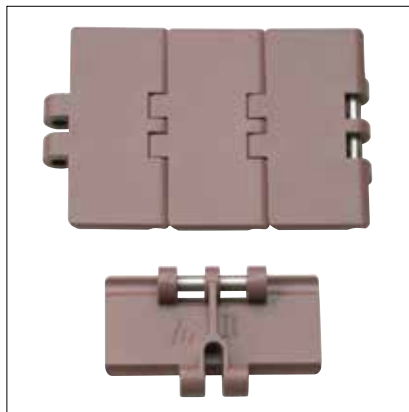
T +45 7572 3100
F +45 7572 3348
admin@unichains.com
www.unichains.com

This information is subject to alteration due to continuous development. Ammeraal Beltech will not be held liable for the incorrect use of the above stated information. This information replaces previous information. All activities performed and services rendered by Ammeraal Beltech are subject to general terms and conditions of sale and delivery, as applied by its operating companies.



Slat Top Plastic Chain

Series **uni 820** Type -



Slat Top Plastic Chain
 Straight running chain
 Pitch: 38.1 mm (1.50 in)
 Backflex radius:
 75.0 mm (3.00 in)
 Permissible tensile strength:
 POM material:
 2000 N (450 lbf)
 Standard shipping lengths:
 boxes of 80 links
 = 3.048 m (10.0 ft)

STANDARD

E		G		H		L		P		Q		T	
mm	in	mm	in	mm	in	mm	in	mm	in	mm	in	mm	in
6.4	0.25	44.5	1.75	9.5	0.37	7.1	0.28	38.1	1.50	41.5	1.63	4.0	0.16

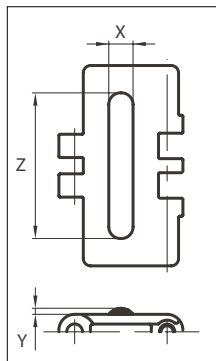
All dimensions are for chains in POM material.

	Width (W)		Material & color	Pin material	Weight	
	mm	in			kg/m	lb/ft
K250	63.5	2.50	POM-LF BR B	SS304	0.7	0.50
K325	82.6	3.25	POM-D W G POM-LF BR B POM-SLF DG PP-AR N PBT-GR K POM-EC K	SS304	0.9	0.57
K350	88.9	3.50	POM-LF BR B	SS304	0.9	0.60
K400	101.6	4.00	POM-D G POM-LF BR B	SS304	1.0	0.64
K450	114.3	4.50	POM-D W G POM-LF BR B	SS304	1.0	0.69
K600	152.4	6.00	POM-D G POM-LF BR B	SS304	1.3	0.84
K750	190.5	7.50	POM-D W G POM-LF BR B POM-SLF DG	SS304	1.5	0.99

Non standard material and color: See uni Material and Color Overview.
 Non standard pin material: See uni Material and Color Overview.

Accessories

Rubber Top



When ordering, please state the required distance between the Rubber Top.
 Other Non Standard rubber profiles:
 See uni Rubber Profile Overview.

Width	Link material	Rubber material	Z		X		Y	
			mm	in	mm	in	mm	in
K325	POM-LF BR	05 I	60	2.36	10	0.39	2.5	0.10
K350	POM-LF BR	05 I	60	2.36	10	0.39	2.5	0.10
K400	POM-LF BR	05 I	90	3.54	10	0.39	2.5	0.10
K450	POM-LF BR	05 I	105	4.13	10	0.39	2.5	0.10
K600	POM-LF BR	05 I	130	5.12	10	0.39	2.5	0.10
K750	POM-LF BR	05 I	170	6.69	10	0.39	2.5	0.10

STRAIGHT RUNNING

PITCH 38.1 MM/1.50 IN



Sprocket

No. of teeth	Pitch diameter		Overall diameter		Min. ø bore		Max. ø bore		Hub diameter		Dimension A		Dimension B		Molded PA6 LG	Molded Cast Iron	Machined PA6 LG
	mm	in	mm	in	mm	in	mm	in	mm	in	mm	in	mm	in			
Z19	117.3	4.62	117.0	4.61	20.0	0.79	40.0	1.57	58.0	2.28	58.7	2.31	65.9	2.59	✓	✓	
Z21	129.2	5.09	130.0	5.12	20.0	0.79	40.0	1.57	58.0	2.28	65.0	2.56	71.8	2.83	✓	✓	
Z23	141.2	5.56	142.0	5.59	20.0	0.79	40.0	1.57	58.0	2.28	71.2	2.80	77.8	3.06	✓	✓	
Z25	153.2	6.03	155.0	6.10	20.0	0.79	40.0	1.57	58.0	2.28	77.4	3.05	83.8	3.30	✓	✓	
Z27	165.2	6.50	167.0	6.57	20.0	0.79	70.0	2.76	-	-	83.6	3.29	89.8	3.54		✓	✓
Z29	177.2	6.98	179.0	7.05	20.0	0.79	70.0	2.76	-	-	89.8	3.54	95.8	3.77		✓	✓
Z31	189.3	7.45	192.0	7.56	20.0	0.79	70.0	2.76	-	-	95.9	3.78	101.8	4.01		✓	✓

Two part sprocket

No. of teeth	Pitch diameter		Overall diameter		Min. ø bore		Max. ø bore		Hub diameter		Dimension A		Dimension B		Molded PA6 LG
	mm	in	mm	in	mm	in	mm	in	mm	in	mm	in	mm	in	
Z19	117.3	4.62	117.0	4.31	20.0	0.79	40.0	1.57	58.0	2.28	58.7	2.31	65.9	2.59	✓
Z21	129.2	5.09	130.0	4.81	20.0	0.79	40.0	1.57	58.0	2.28	65.0	2.56	71.8	2.83	✓
Z23	141.2	5.56	142.0	5.30	20.0	0.79	40.0	1.57	58.0	2.28	71.2	2.80	77.8	3.06	✓
Z25	153.2	6.03	155.0	5.79	20.0	0.79	40.0	1.57	58.0	2.28	77.4	3.05	83.8	3.30	✓

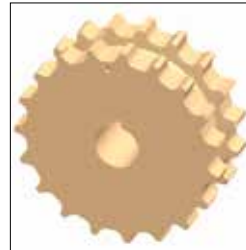
Molded sprocket



Cast iron sprocket



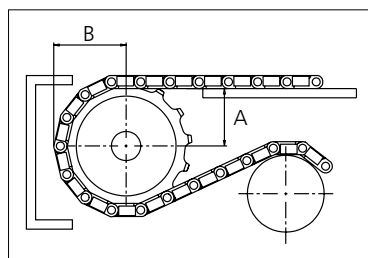
Machined sprocket



Two part sprocket



Non standard material and color:
See uni Material and Color Overview.



Please ensure that sufficient size shaft and keyway are chosen for corresponding load.

Other sprocket sizes are available upon request

Width of tooth: 42.3 mm/1.70 in

Width of sprocket: 42.3 mm/1.70 in

uni Retainer Rings: See uni Retainer Ring data sheet

uni Idler: See uni Idler data sheet

uni 820/160615



Conveyor Belts



Seamless Belts



Modular Belts



Timing Belts



Transmission Belts



Fabrication & service

Expert advice, quality solutions and local service for all your belting needs
www.ammeraalbeltech.com

Ammeraal Beltech Modular A/S
Hjulmagervej 21
DK-7100 Vejle

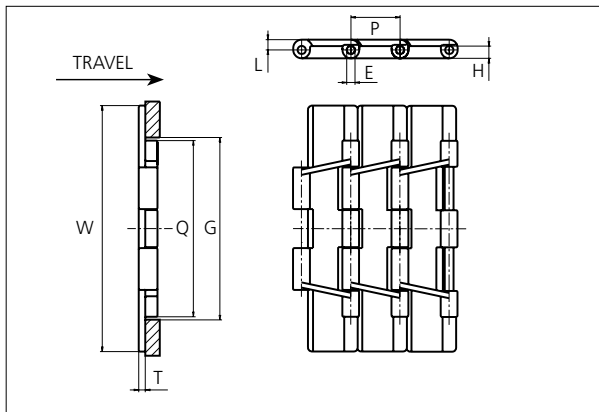
T +45 7572 3100
F +45 7572 3348
admin@unichains.com
www.unichains.com

This information is subject to alteration due to continuous development. Ammeraal Beltech will not be held liable for the incorrect use of the above stated information. This information replaces previous information. All activities performed and services rendered by Ammeraal Beltech are subject to general terms and conditions of sale and delivery, as applied by its operating companies.



Slat Top Plastic Chain

Series **uni 821** Type -



Slat Top Plastic Chain
 Straight running chain
 Pitch: 38.1 mm (1.50 in)
 Backflex radius:
 75.0 mm (3.00 in)
 Permissible tensile strength:
 POM material 3000 N (674 lbf)

 Standard shipping lengths:
 boxes of 80 links
 = 3.048 m (10.0 ft)

STANDARD

E		G		H		L		P		Q		T	
mm	in	mm	in	mm	in	mm	in	mm	in	mm	in	mm	in
6.4	0.25	140.0	5.51	9.5	0.37	8.0	0.31	38.1	1.50	136.5	5.37	5.0	0.20

All dimensions are for chains in POM material.

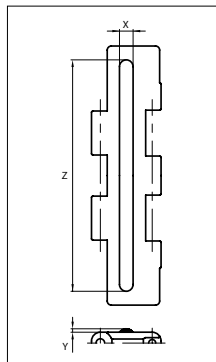
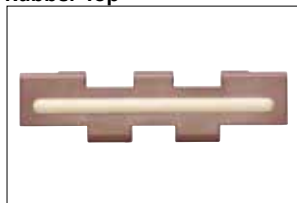
	Width (W)		Material & color	Pin material	Weight	
	mm	in			kg/m	lb/ft
K750	190.5	7.50	POM-D G POM-LF BR	SS304	2.6	1.74
			POM-SLF DG			
K1000	254.0	10.00	POM-D G POM-LF BR	SS304	3.1	2.08
			POM-SLF DG			
K1200	304.8	12.00	POM-D G POM-LF BR	SS304	3.4	2.29

Non standard material and color: See uni Material and Color Overview.

Non standard pin material: See uni Material and Color Overview.

Accessories

Rubber Top



When ordering, please state the required distance between the Rubber Top.

Other Non Standard rubber profiles:
 See uni Rubber Profile Overview.

Width	Link material	Rubber material	Z		X		Y	
			mm	in	mm	in	mm	in
K750	POM-LF BR	05 I	170	6.69	10	0.39	2.5	0.09
K1000	POM-LF BR	05 I	200	7.87	10	0.39	2.5	0.09
K1200	POM-LF BR	05 I	295	11.61	8	0.31	2.5	0.09

STRAIGHT RUNNING

PITCH 38.1 MM/1.50 IN



Sprocket

No. of teeth	Pitch diameter		Overall diameter		Min. ø bore		Max. ø bore		Hub diameter		Dimension A		Dimension B		Molded Cast Iron	Machined PA6
	mm	in	mm	in	mm	in	mm	in	mm	in	mm	in	mm	in		
Z19	117.3	4.62	117.0	4.61	20.0	0.79	70.0	2.76	0	0	58.7	2.31	64.5	2.54		✓
Z21	129.2	5.09	130.0	5.12	20.0	0.79	70.0	2.76	0	0	65.0	2.56	70.5	2.78	✓	✓
Z23	141.2	5.56	142.0	5.59	20.0	0.79	70.0	2.76	0	0	71.2	2.80	76.5	3.01	✓	✓
Z25	153.2	6.03	155.0	6.10	20.0	0.79	70.0	2.76	0	0	77.4	3.05	82.5	3.25	✓	✓
Z27	165.2	6.50	167.0	6.57	20.0	0.79	100.0	3.93	0	0	83.6	3.29	88.5	3.48	✓	✓
Z29	177.2	6.98	179.0	7.05	20.0	0.79	110.0	4.33	0	0	89.8	3.54	94.6	3.72	✓	✓
Z31	189.3	7.45	192.0	7.56	20.0	0.79	120.0	4.72	0	0	95.9	3.78	100.6	3.96	✓	✓

Two part sprocket

No. of teeth	Pitch diameter		Overall diameter		Min. ø bore		Max. ø bore		Hub diameter		Dimension A		Dimension B		Molded PA6 LG
	mm	in	mm	in	mm	in	mm	in	mm	in	mm	in	mm	in	
Z25	153.2	6.03	155.0	6.10	30.0	1.18	40.0	1.57	58.0	2.28	77.4	3.05	82.5	3.25	✓

Cast iron sprocket



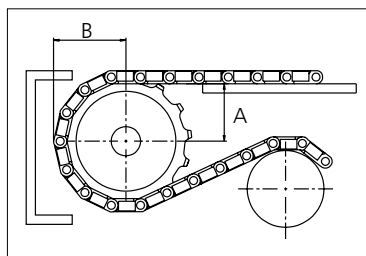
Machined sprocket



Molded two part sprocket



Non standard material and color:
See uni Material and Color Overview.



Please ensure that sufficient size shaft and keyway are chosen for corresponding load.

Other sprocket sizes are available upon request

Width of tooth: 79.4 mm/3.13 in

Width of sprocket: 79.4 mm/3.13 in

uni Retainer Rings: See uni Retainer Ring data sheet

uni Idler: See uni Idler data sheet

uni Guide Rings can be mounted on cast iron and machined sprockets. See uni Guide Rings data sheet.

uni 821/170523



Expert advice, quality solutions and local service for all your belting needs
www.ammeraalbeltech.com

Ammeraal Beltech Modular A/S
Hjulmagervej 21
DK-7100 Vejle

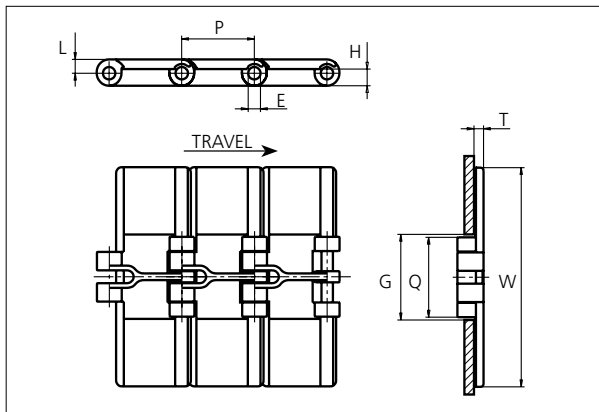
T +45 7572 3100
F +45 7572 3348
admin@unichains.com
www.unichains.com

This information is subject to alteration due to continuous development. Ammeraal Beltech will not be held liable for the incorrect use of the above stated information. This information replaces previous information. All activities performed and services rendered by Ammeraal Beltech are subject to general terms and conditions of sale and delivery, as applied by its operating companies.



Slat Top Plastic Chain

Series **uni 831** Type -



Slat Top Plastic Chain
 Straight running chain
 Pitch: 38.1 mm (1.50 in)
 Backflex radius:
 75.0 mm (3.00 in)
 Permissible tensile strength:
 POM material:
 2000 N (450 lbf)
 Standard shipping lengths:
 boxes of 80 links
 = 3.048 m (10.0 ft)

STANDARD

E		G		H		L		P		Q		T	
mm	in	mm	in	mm	in	mm	in	mm	in	mm	in	mm	in
6.4	0.25	44.5	1.75	8.5	0.33	7.1	0.28	38.1	1.50	41.5	1.63	5.0	0.20

All dimensions are for chains in POM material

	Width (W)		Material & color	Pin material	Weight	
	mm	in			kg/m	lb/ft
K250	63.5	2.50	-	-	-	-
K325	82.6	3.25	POM-LF BR POM-SLF G	SS304	1.0	0.67
K350	88.9	3.50	-	-	-	-
K400	101.6	4.00	POM-LF BR	SS304	1.2	0.81
K450	114.3	4.50	POM-LF BR	SS304	1.3	0.87
K600	152.4	6.00	POM-LF BR	SS304	1.6	1.05
K750	190.5	7.50	POM-LF BR	SS304	1.8	1.21

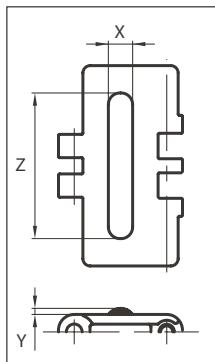
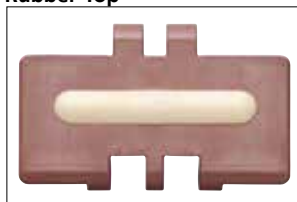
Non standard material and color: See uni Material and Color Overview.
 Non standard pin material: See uni Material and Color Overview.

STRAIGHT RUNNING

PITCH 38.1 MM/1.50 IN

Accessories

Rubber Top



When ordering, please state the required distance between the Rubber Top.
 Other Non Standard rubber profiles:
 See uni Rubber Profile Overview.

Width	Link material	Rubber material	Z		X		Y	
			mm	in	mm	in	mm	in
K325	POM-LF BR	05 I	60	2.36	10	0.39	2.5	0.10
K350	POM-LF BR	05 I	60	2.36	10	0.39	2.5	0.10
K400	POM-LF BR	05 I	90	3.54	10	0.39	2.5	0.10
K450	POM-LF BR	05 I	105	4.13	10	0.39	2.5	0.10
K600	POM-LF BR	05 I	130	5.12	10	0.39	2.5	0.10
K750	POM-LF BR	05 I	170	6.69	10	0.39	2.5	0.10



Sprocket

No. of teeth	Pitch diameter		Overall diameter		Min. ø bore		Max. ø bore		Hub diameter		Dimension A		Dimension B		Molded PA6 LG	Molded Cast Iron	Machined PA6 LG
	mm	in	mm	in	mm	in	mm	in	mm	in	mm	in	mm	in			
Z19	117.3	4.62	117.0	4.61	20.0	0.79	40.0	1.57	58.0	2.28	58.7	2.31	65.9	2.59	✓	✓	
Z21	129.2	5.09	130.0	5.12	20.0	0.79	40.0	1.57	58.0	2.28	65.0	2.56	71.8	2.83	✓	✓	
Z23	141.2	5.56	142.0	5.59	20.0	0.79	40.0	1.57	58.0	2.28	71.2	2.80	77.8	3.06	✓	✓	
Z25	153.2	6.03	155.0	6.10	20.0	0.79	40.0	1.57	58.0	2.28	77.4	3.05	83.8	3.30	✓	✓	
Z27	165.2	6.50	167.0	6.57	20.0	0.79	70.0	2.76	-	-	83.6	3.29	89.8	3.54		✓	✓
Z29	177.2	6.98	179.0	7.05	20.0	0.79	70.0	2.76	-	-	89.8	3.54	95.8	3.77		✓	✓
Z31	189.3	7.45	192.0	7.56	20.0	0.79	70.0	2.76	-	-	95.9	3.78	101.8	4.01		✓	✓

Two part sprocket

No. of teeth	Pitch diameter		Overall diameter		Min. ø bore		Max. ø bore		Hub diameter		Dimension A		Dimension B		Molded PA6 LG
	mm	in	mm	in	mm	in	mm	in	mm	in	mm	in	mm	in	
Z19	117.3	4.62	117.0	4.31	20.0	0.79	40.0	1.57	58.0	2.28	58.7	2.31	65.9	2.59	✓
Z21	129.2	5.09	130.0	4.81	20.0	0.79	40.0	1.57	58.0	2.28	65.0	2.56	71.8	2.83	✓
Z23	141.2	5.56	142.0	5.30	20.0	0.79	40.0	1.57	58.0	2.28	71.2	2.80	77.8	3.06	✓
Z25	153.2	6.03	155.0	5.79	20.0	0.79	40.0	1.57	58.0	2.28	77.4	3.05	83.8	3.30	✓

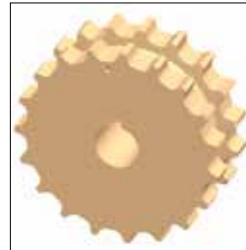
Molded sprocket



Cast iron sprocket



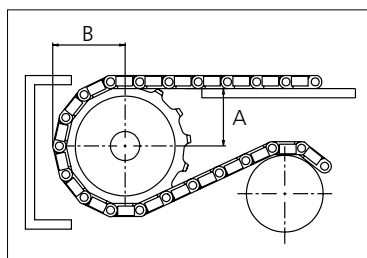
Machined sprocket



Two part sprocket



Non standard material and color:
See uni Material and Color Overview.



Please ensure that sufficient size shaft and keyway are chosen for corresponding load.

Other sprocket sizes are available upon request

Width of tooth: 42.3 mm/1.70 in

Width of sprocket: 42.3 mm/1.70 in

uni Retainer Rings: See uni Retainer Ring data sheet

uni Idler: See uni Idler data sheet

uni 831/160616



Conveyor Belts



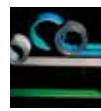
Seamless Belts



Modular Belts



Timing Belts



Transmission Belts



Fabrication & service

Solid advice
For all your belting needs
Local stock & service
www.ammeraalbeltech.com

Ammeraal Beltech Modular A/S
Hjulmagervej 21
DK-7100 Vejle

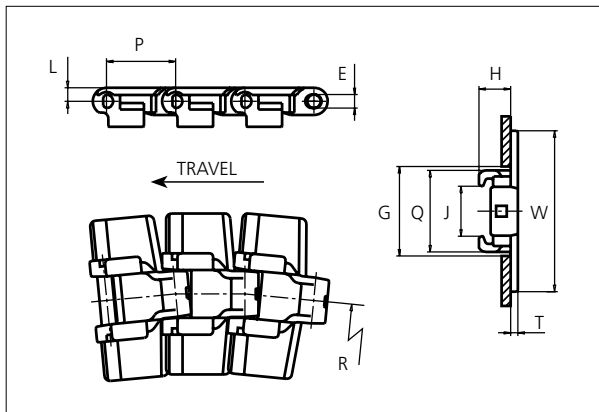
T +45 7572 3100
F +45 7572 3348
admin@unichains.com
www.unichains.com

This information is subject to alteration due to continuous development. Ammeraal Beltech will not be held liable for the incorrect use of the above stated information. This information replaces previous information. All activities performed and services rendered by Ammeraal Beltech are subject to general terms and conditions of sale and delivery, as applied by its operating companies.



Slat Top Plastic Chain

Series **uni 879** Type **Super Flex**



Slat Top Plastic Chain
 Side flexing chain
 Pitch: 38.1 mm (1.50 in)
 Backflex radius:
 75.0 mm (3.00 in)
 Permissible tensile strength:
 POM material: 2250 N (506 lbf)

 Standard shipping lengths:
 boxes of 80 links
 = 3.048 m (10.0 ft)

E		G		H		J		L		P		Q		T	
mm	in	mm	in	mm	in	mm	in	mm	in	mm	in	mm	in	mm	in
7.0	0.28	46.0	1.81	17.5	0.69	27.5	1.08	7.5	0.30	38.1	1.50	42.3	1.67	5.0	0.20

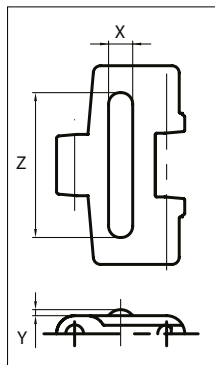
All dimensions are for chains in POM material.

	Width (W)		Recommended Material & color	Pin material	Weight		Min. radius (R)	
	mm	in			kg/m	lb/ft	mm	in
K450	114.3	4.50	POM-D W POM-D G POM-LF BR POM-SLF DG	SS304	1.1	0.67	610	24.02

Non standard material and color: See uni Material and Color Overview.
 Non standard pin material: See uni Material and Color Overview.

Accessories

Rubber Top



When ordering, please state the required distance between the Rubber Top.

Other Non Standard rubber profiles:
 See uni Rubber Profile Overview.

Width	Link material	Rubber material	Z		X		Y	
			mm	in	mm	in	mm	in
K450	POM-LF BR	05 I	90	3.54	10	0.39	2.5	0.10



NON STANDARD

SIDE FLEXING

PITCH 38.1 MM/1.50 IN

Sprocket

No. of teeth	Pitch diameter		Overall diameter		Min. ø bore		Max. ø bore		Hub diameter		Dimension A		Dimension B		Molded PA6 LG	Molded Cast Iron
	mm	in	mm	in	mm	in	mm	in	mm	in	mm	in	mm	in		
Z9	111.4	4.39	109.7	4.32	20.0	0.80	40.0	1.60	70.0	2.76	55.9	2.20	63.2	2.49	✓	✓
Z10	123.3	4.85	122.3	4.81	20.0	0.80	40.0	1.60	70.0	2.76	62.2	2.45	69.2	2.72	✓	✓
Z11	135.2	5.32	134.8	5.31	20.0	0.80	40.0	1.60	70.0	2.76	68.4	2.69	75.1	2.96	✓	✓
Z12	147.2	5.80	147.2	5.80	20.0	0.80	40.0	1.60	70.0	2.76	74.6	2.94	81.1	3.19	✓	✓
Z15	183.3	7.22	184.3	7.26	20.0	0.80	40.0	1.60	70.0	2.76	93.2	3.67	99.2	3.91	✓	✓

Two part sprocket

No. of teeth	Pitch diameter		Overall diameter		Min. ø bore		Max. ø bore		Hub diameter		Dimension A		Dimension B		Molded PA6 LG
	mm	in	mm	in	mm	in	mm	in	mm	in	mm	in	mm	in	
Z9	111.4	4.39	109.7	4.32	20.0	0.80	40.0	1.60	70.0	2.76	55.9	2.20	63.2	2.49	✓
Z10	123.3	4.85	122.3	4.81	20.0	0.80	40.0	1.60	70.0	2.76	62.2	2.45	69.2	2.72	✓
Z11	135.2	5.32	134.8	5.31	20.0	0.80	40.0	1.60	70.0	2.76	68.4	2.69	75.1	2.96	✓
Z12	147.2	5.80	147.2	5.80	20.0	0.80	40.0	1.60	70.0	2.76	74.6	2.94	81.1	3.19	✓

Non standard material and color:
See uni Material and Color Overview.

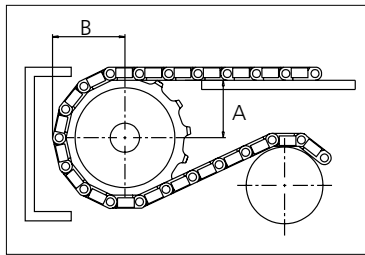
Molded sprocket



Cast iron sprocket



Molded two part sprocket



Please ensure that sufficient size shaft and keyway are chosen for corresponding load.

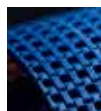
Other sprocket sizes are available upon request
Width of tooth: 15.8 mm/0.62 in
Width of sprocket: 42.3 mm/1.67 in
uni Retainer Rings: See uni Retainer Ring data sheet
uni Idler: See uni Idler data sheet



Conveyor Belts



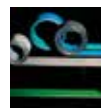
Seamless Belts



Modular Belts



Timing Belts



Transmission Belts



Fabrication & service

Solid advice
For all your belting needs
Local stock & service
www.ammeraalbeltech.com

Ammeraal Beltech Modular A/S
Hjulmagervej 21
DK-7100 Vejle

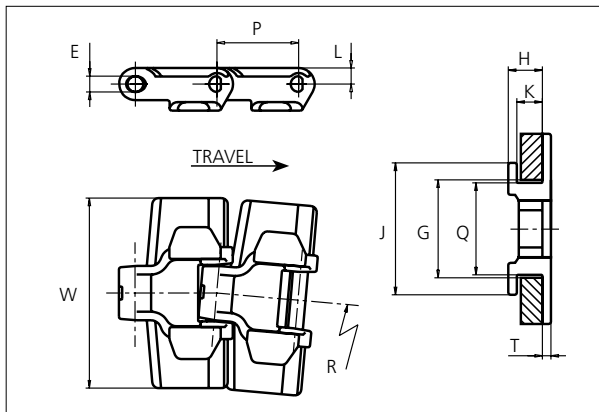
T +45 7572 3100
F +45 7572 3348
admin@unichains.com
www.unichains.com

This information is subject to alteration due to continuous development. Ammeraal Beltech will not be held liable for the incorrect use of the above stated information. This information replaces previous information. All activities performed and services rendered by Ammeraal Beltech are subject to general terms and conditions of sale and delivery, as applied by its operating companies.



Slat Top Plastic Chain

Series **uni 879** Type **Tab R**



Slat Top Plastic Chain
 Side flexing chain
 Pitch: 38.1 mm (1.50 in)
 Backflex radius:
 75.0 mm (3.00 in)
 Permissible tensile strength:
 POM material:
 2250 N (506 lbf)

 Standard shipping lengths:
 boxes of 80 links
 = 3.048 m (10.0 ft)

STANDARD

E		G		H		J		K		L		P		Q		T	
mm	in	mm	in	mm	in	mm	in	mm	in	mm	in	mm	in	mm	in	mm	in
7.1	0.28	44.5	1.75	15.9	0.63	61.5	2.42	11.9	0.47	8.5	0.33	38.1	1.50	43.1	1.70	5.0	0.20

All dimensions are for chains in POM material.

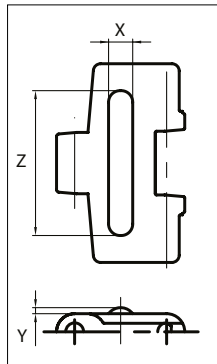
	Width (W)		Material & color	Pin material	Weight		Min. radius (R)	
	mm	in			kg/m	lb/ft	mm	in
K325	82.6	3.25	POM-LF BR	SS304	0.9	0.61	200	7.87
K450	114.3	4.50	POM-LF BR	SS304	1.2	0.81	200	7.87

Non standard material and color: See uni Material and Color Overview.
 Non standard pin material: See uni Material and Color Overview.

SIDE FLEXING

Accessories

Rubber Top



When ordering, please state the required distance between the Rubber Top.

Other Non Standard rubber profiles:
 See uni Rubber Profile Overview.

Width	Link material	Rubber material	Z		X		Y	
			mm	in	mm	in	mm	in
K325	POM-LF BR	05 I	60	2.36	10	0.39	2.5	0.10

PITCH 38.1 MM/1.50 IN



Sprocket

No. of teeth	Pitch diameter		Overall diameter		Min. ø bore		Max. ø bore		Hub diameter		Dimention A		Dimention B		Molded PA6 LG	Molded Cast Iron
	mm	in	mm	in	mm	in	mm	in	mm	in	mm	in	mm	in		
Z9	111.4	4.39	109.7	4.32	20.0	0.80	40.0	1.60	70.0	2.76	55.9	2.20	63.2	2.49	✓	✓
Z10	123.3	4.85	122.3	4.81	20.0	0.80	40.0	1.60	70.0	2.76	62.2	2.45	69.2	2.72	✓	✓
Z11	135.2	5.32	134.8	5.31	20.0	0.80	40.0	1.60	70.0	2.76	68.4	2.69	75.1	2.96	✓	✓
Z12	147.2	5.80	147.2	5.80	20.0	0.80	40.0	1.60	70.0	2.76	74.6	2.94	81.1	3.19	✓	✓
Z15	183.3	7.22	184.3	7.26	20.0	0.80	40.0	1.60	70.0	2.76	93.2	3.67	99.2	3.91	✓	✓

Two part sprocket

No. of teeth	Pitch diameter		Overall diameter		Min. ø bore		Max. ø bore		Hub diameter		Dimention A		Dimention B		Molded PA6 LG
	mm	in	mm	in	mm	in	mm	in	mm	in	mm	in	mm	in	
Z9	111.4	4.39	109.7	4.32	20.0	0.80	40.0	1.60	70.0	2.76	55.9	2.20	63.2	2.49	✓
Z10	123.3	4.85	122.3	4.81	20.0	0.80	40.0	1.60	70.0	2.76	62.2	2.45	69.2	2.72	✓
Z11	135.2	5.32	134.8	5.31	20.0	0.80	40.0	1.60	70.0	2.76	68.4	2.69	75.1	2.96	✓
Z12	147.2	5.80	147.2	5.80	20.0	0.80	40.0	1.60	70.0	2.76	74.6	2.94	81.1	3.19	✓

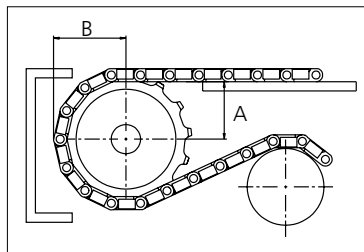
Molded sprocket



Cast iron sprocket



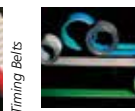
Molded two part sprocket



Please ensure that sufficient size shaft and keyway are chosen for corresponding load.

Other sprocket sizes are available upon request
 Width of tooth: 15.8 mm/0.62 in
 Width of sprocket: 42.3 mm/1.67 in
 uni Retainer Rings: See uni Retainer Ring data sheet
 uni Idler: See uni Idler data sheet

Non standard material and color:
 See uni Material and Color Overview.



Solid advice
 For all your belting needs
 Local stock & service
www.ammeraalbeltech.com

Ammeraal Beltech Modular A/S
 Hjulmagervej 21
 DK-7100 Vejle

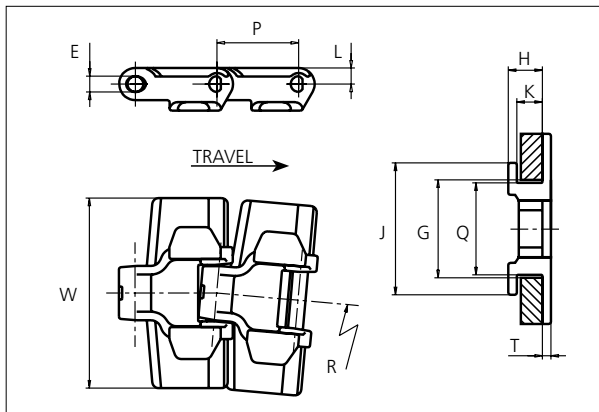
T +45 7572 3100
 F +45 7572 3348
 admin@unichains.com
 www.unichains.com

This information is subject to alteration due to continuous development. Ammeraal Beltech will not be held liable for the incorrect use of the above stated information. This information replaces previous information. All activities performed and services rendered by Ammeraal Beltech are subject to general terms and conditions of sale and delivery, as applied by its operating companies.



Slat Top Plastic Chain

Series **uni 879** Type **Tab**



Slat Top Plastic Chain
 Side flexing chain
 Pitch: 38.1 mm (1.50 in)
 Backflex radius:
 75.0 mm (3.00 in)
 Permissible tensile strength:
 POM material:
 2250 N (506 lbf)
 Standard shipping lengths:
 boxes of 80 links
 = 3.048 m (10.0 ft)

STANDARD

E		G		H		J		K		L		P		Q		T	
mm	in	mm	in	mm	in	mm	in	mm	in	mm	in	mm	in	mm	in	mm	in
7.1	0.28	44.5	1.75	15.9	0.63	61.5	2.42	11.9	0.47	8.5	0.33	38.1	1.50	43.1	1.70	5.0	0.20

All dimensions are for chains in POM material.

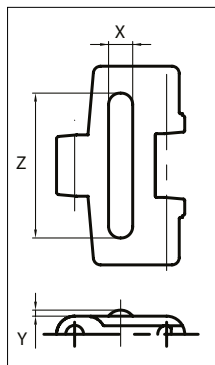
	Width (W)		Material & color	Pin material	Weight		Min. radius (R)	
	mm	in			kg/m	lb/ft	mm	in
K250	63.5	2.50	-	-	-	-	-	-
K325	82.6	3.25	POM-LF BR	SS304	1.1	0.74	400	15.75
K450	114.3	4.50	POM-LF BR	SS304	1.3	0.87	400	15.75

Non standard material and color: See uni Material and Color Overview.
 Non standard pin material: See uni Material and Color Overview.

SIDE FLEXING

Accessories

Rubber Top



When ordering, please state the required distance between the Rubber Top.

Other Non Standard rubber profiles:
 See uni Rubber Profile Overview.

Width	Link material	Rubber material	Z		X		Y	
			mm	in	mm	in	mm	in
K325	POM-LF BR	05 I	60	2.36	10	0.39	2.5	0.10
K450	POM-LF BR	05 I	90	3.54	10	0.39	2.5	0.10

PITCH 38.1 MM/1.50 IN



Sprocket

No. of teeth	Pitch diameter		Overall diameter		Min. ϕ bore		Max. ϕ bore		Hub diameter		Dimension A		Dimension B		Molded PA6 LG	Molded Cast Iron
	mm	in	mm	in	mm	in	mm	in	mm	in	mm	in	mm	in		
Z9	111.4	4.39	109.7	4.32	20.0	0.80	40.0	1.60	70.0	2.76	55.9	2.20	63.2	2.49	✓	✓
Z10	123.3	4.85	122.3	4.81	20.0	0.80	40.0	1.60	70.0	2.76	62.2	2.45	69.2	2.72	✓	✓
Z11	135.2	5.32	134.8	5.31	20.0	0.80	40.0	1.60	70.0	2.76	68.4	2.69	75.1	2.96	✓	✓
Z12	147.2	5.80	147.2	5.80	20.0	0.80	40.0	1.60	70.0	2.76	74.6	2.94	81.1	3.19	✓	✓
Z15	183.3	7.22	184.3	7.26	20.0	0.80	40.0	1.60	70.0	2.76	93.2	3.67	99.2	3.91	✓	✓

Two part sprocket

No. of teeth	Pitch diameter		Overall diameter		Min. ϕ bore		Max. ϕ bore		Hub diameter		Dimension A		Dimension B		Molded PA6 LG
	mm	in	mm	in	mm	in	mm	in	mm	in	mm	in	mm	in	
Z9	111.4	4.39	109.7	4.32	20.0	0.80	40.0	1.60	70.0	2.76	55.9	2.20	63.2	2.49	✓
Z10	123.3	4.85	122.3	4.81	20.0	0.80	40.0	1.60	70.0	2.76	62.2	2.45	69.2	2.72	✓
Z11	135.2	5.32	134.8	5.31	20.0	0.80	40.0	1.60	70.0	2.76	68.4	2.69	75.1	2.96	✓
Z12	147.2	5.80	147.2	5.80	20.0	0.80	40.0	1.60	70.0	2.76	74.6	2.94	81.1	3.19	✓

Molded sprocket



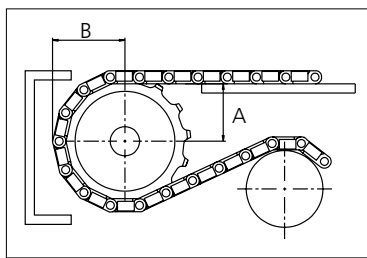
Cast iron sprocket



Molded two part sprocket

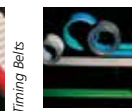


Non standard material and color:
See uni Material and Color Overview.



Please ensure that sufficient size shaft and keyway are chosen for corresponding load.

Other sprocket sizes are available upon request
Width of tooth: 15.8 mm/0.62 in
Width of sprocket: 42.3 mm/1.67 in
uni Retainer Rings: See uni Retainer Ring data sheet
uni Idler: See uni Idler data sheet



Solid advice
For all your belting needs
Local stock & service
www.ammeraalbeltech.com

Ammeraal Beltech Modular A/S
Hjulmagervej 21
DK-7100 Vejle

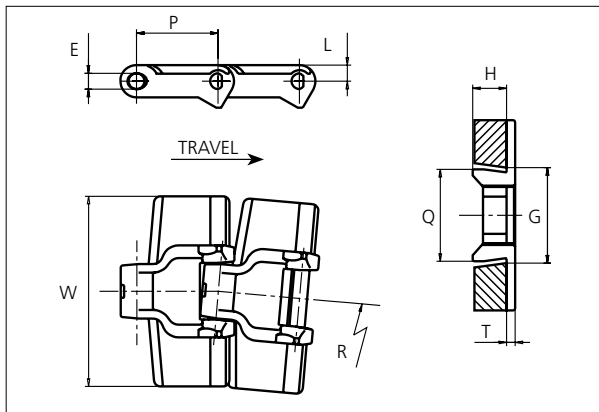
T +45 7572 3100
F +45 7572 3348
admin@unichains.com
www.unichains.com

This information is subject to alteration due to continuous development. Ammeraal Beltech will not be held liable for the incorrect use of the above stated information. This information replaces previous information. All activities performed and services rendered by Ammeraal Beltech are subject to general terms and conditions of sale and delivery, as applied by its operating companies.



Slat Top Plastic Chain

Series **uni 879** Type -



Slat Top Plastic Chain
 Side flexing chain
 Pitch: 38.1 mm (1.50 in)
 Backflex radius: 75 mm (3 in)
 Permissible tensile strength:
 POM material: 2250 N (506 lbf)

 Standard shipping lengths:
 boxes of 80 links
 = 3.048 m (10.0 ft)

NON STANDARD

E		G*		G**		H		J		K		L		P		Q		T	
mm	in	mm	in	mm	in	mm	in	mm	in	mm	in	mm	in	mm	in	mm	in	mm	in
7.1	0.28	41.3	1.63	46.6	1.83	15.9	0.63	61.5	2.42	11.9	0.47	8.5	0.33	38.1	1.50	43.1	1.70	5.0	0.20

*Curve, ** Straight

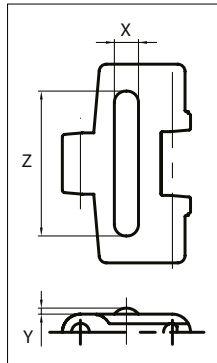
All dimensions are for chains in POM material.

	Width (W)		Recommended material & color	Recommended pin material	Weight		Min. radius (R)		
	mm	in			kg/m	lb/ft	mm	in	
K250	63.5	2.50	POM-D W POM-LF BR	POM-D G POM-SLF DG	SS304	1.0	0.67	400	15.75
K325	82.6	3.25	POM-D W POM-LF BR	POM-D G POM-SLF DG	SS304	1.0	0.67	400	15.75
K450	114.3	4.50	POM-D W POM-LF BR	POM-D G POM-SLF DG	SS304	1.3	0.87	400	15.75

Other non standard material and color: See uni Material and Color Overview.
 Other non standard pin material: See uni Material and Color Overview.

Accessories

Rubber Top



When ordering, please state the required distance between the Rubber Top.

Other Non Standard rubber profiles:
 See uni Rubber Profile Overview

Width	Link material	Rubber material	Z		X		Y	
			mm	in	mm	in	mm	in
K325	POM-LF BR	05 I	60	2.36	10	0.39	2.5	0.10
K450	POM-LF BR	05 I	90	3.54	10	0.39	2.5	0.10

SIDE FLEXING

PITCH 38.1 MM/1.50 IN



Sprocket

No. of teeth	Pitch diameter		Overall diameter		Min. ø bore		Max. ø bore		Hub diameter		Dimension A		Dimension B		Molded PA6 LG	Molded Cast Iron
	mm	in	mm	in	mm	in	mm	in	mm	in	mm	in	mm	in		
Z9	111.4	4.39	109.7	4.32	20.0	0.80	40.0	1.60	70.0	2.76	55.9	2.20	63.2	2.49	✓	✓
Z10	123.3	4.85	122.3	4.81	20.0	0.80	40.0	1.60	70.0	2.76	62.2	2.45	69.2	2.72	✓	✓
Z11	135.2	5.32	134.8	5.31	20.0	0.80	40.0	1.60	70.0	2.76	68.4	2.69	75.1	2.96	✓	✓
Z12	147.2	5.80	147.2	5.80	20.0	0.80	40.0	1.60	70.0	2.76	74.6	2.94	81.1	3.19	✓	✓
Z15	183.3	7.22	184.3	7.26	20.0	0.80	40.0	1.60	70.0	2.76	93.2	3.67	99.2	3.91	✓	✓

Two part sprocket

No. of teeth	Pitch diameter		Overall diameter		Min. ø bore		Max. ø bore		Hub diameter		Dimension A		Dimension B		Molded PA6 LG
	mm	in	mm	in	mm	in	mm	in	mm	in	mm	in	mm	in	
Z9	111.4	4.39	109.7	4.32	20.0	0.80	40.0	1.60	70.0	2.76	55.9	2.20	63.2	2.49	✓
Z10	123.3	4.85	122.3	4.81	20.0	0.80	40.0	1.60	70.0	2.76	62.2	2.45	69.2	2.72	✓
Z11	135.2	5.32	134.8	5.31	20.0	0.80	40.0	1.60	70.0	2.76	68.4	2.69	75.1	2.96	✓
Z12	147.2	5.80	147.2	5.80	20.0	0.80	40.0	1.60	70.0	2.76	74.6	2.94	81.1	3.19	✓

Non standard material and color:
See uni Material and Color Overview.

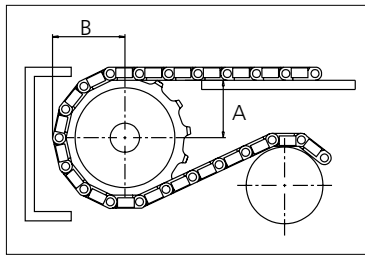
Molded sprocket



Cast iron sprocket



Molded two part sprocket



Please ensure that sufficient size shaft and keyway are chosen for corresponding load.

Other sprocket sizes are available upon request

Width of tooth: 15.8 mm/0.62 in

Width of sprocket: 42.3 mm/1.67 in

uni Retainer Rings: See uni Retainer Ring data sheet

uni Idler: See uni Idler data sheet



Conveyor Belts



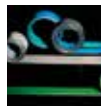
Seamless Belts



Modular Belts



Timing Belts



Transmission Belts



Fabrication & service

Solid advice
For all your belting needs
Local stock & service
www.ammeraalbeltech.com

Ammeraal Beltech Modular A/S
Hjulmagervej 21
DK-7100 Vejle

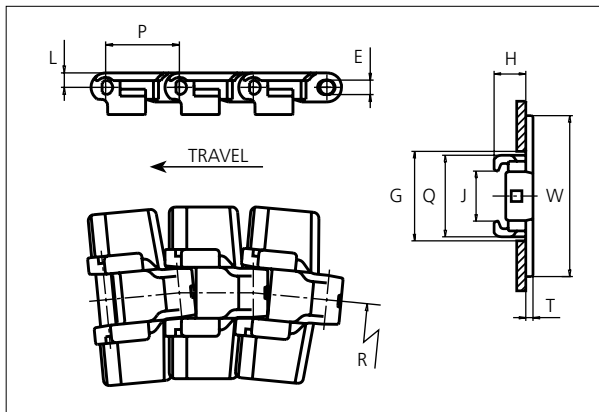
T +45 7572 3100
F +45 7572 3348
admin@unichains.com
www.unichains.com

This information is subject to alteration due to continuous development. Ammeraal Beltech will not be held liable for the incorrect use of the above stated information. This information replaces previous information. All activities performed and services rendered by Ammeraal Beltech are subject to general terms and conditions of sale and delivery, as applied by its operating companies.



Slat Top Plastic Chain

Series **uni 880** Type **Super Flex**



Slat Top Plastic Chain
 Side flexing chain
 Pitch: 38.1 mm (1.50 in)
 Backflex radius:
 75.0 mm (3.00 in)
 Permissible tensile strength:
 POM material:
 2250 N (506 lbf)
 Standard shipping lengths:
 boxes of 80 links
 = 3.048 m (10.0 ft)

STANDARD

E		G		H		J		L		P		Q		T	
mm	in	mm	in	mm	in	mm	in	mm	in	mm	in	mm	in	mm	in
7.0	0.28	46.0	1.81	17.5	0.69	27.5	1.08	7.5	0.30	38.1	1.50	42.3	1.67	4.0	0.16

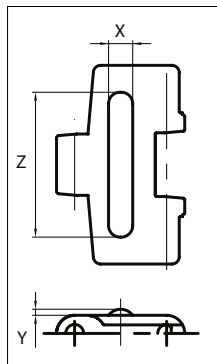
All dimensions are for chains in POM material.

	Width (W)		Material & color	Pin material	Weight		Min. radius (R)	
	mm	in			kg/m	lb/ft	mm	in
K250	63.5	2.50	-	-	-	-	-	-
K325	82.6	3.25	POM-LF BR	SS304	1.0	0.67	457.0	17.99
K350	88.9	3.50	-	-	-	-	-	-
K450	114.3	4.50	POM-LF BR	SS304	1.1	0.67	610.0	24.02
K750	190.5	7.50	-	-	-	-	-	-

Non standard material and color: See uni Material and Color Overview.
 Non standard pin material: See uni Material and Color Overview.

Accessories

Rubber Top



When ordering, please state the required distance between the Rubber Top.

Other Non Standard rubber profiles:
 See uni Rubber Profile Overview.

Width	Link material	Rubber material	Z		X		Y	
			mm	in	mm	in	mm	in
K325	POM-LF BR	05 I	60	2.36	10	0.39	2.5	0.10
K450	POM-LF BR	05 I	90	3.54	10	0.39	2.5	0.10

SIDE FLEXING

PITCH 38.1 MM/1.50 IN



Sprocket

No. of teeth	Pitch diameter		Overall diameter		Min. ø bore		Max. ø bore		Hub diameter		Dimention A		Dimention B		Molded PA6 LG	Molded Cast Iron
	mm	in	mm	in	mm	in	mm	in	mm	in	mm	in	mm	in		
Z9	111.4	4.39	109.7	4.32	20.0	0.80	40.0	1.60	70.0	2.76	55.9	2.20	63.2	2.49	✓	✓
Z10	123.3	4.85	122.3	4.81	20.0	0.80	40.0	1.60	70.0	2.76	62.2	2.45	69.2	2.72	✓	✓
Z11	135.2	5.32	134.8	5.31	20.0	0.80	40.0	1.60	70.0	2.76	68.4	2.69	75.1	2.96	✓	✓
Z12	147.2	5.80	147.2	5.80	20.0	0.80	40.0	1.60	70.0	2.76	74.6	2.94	81.1	3.19	✓	✓
Z15	183.3	7.22	184.3	7.26	20.0	0.80	40.0	1.60	70.0	2.76	93.2	3.67	99.2	3.91	✓	✓

Two part sprocket

No. of teeth	Pitch diameter		Overall diameter		Min. ø bore		Max. ø bore		Hub diameter		Dimention A		Dimention B		Molded PA6 LG
	mm	in	mm	in	mm	in	mm	in	mm	in	mm	in	mm	in	
Z9	111.4	4.39	109.7	4.32	20.0	0.80	40.0	1.60	70.0	2.76	55.9	2.20	63.2	2.49	✓
Z10	123.3	4.85	122.3	4.81	20.0	0.80	40.0	1.60	70.0	2.76	62.2	2.45	69.2	2.72	✓
Z11	135.2	5.32	134.8	5.31	20.0	0.80	40.0	1.60	70.0	2.76	68.4	2.69	75.1	2.96	✓
Z12	147.2	5.80	147.2	5.80	20.0	0.80	40.0	1.60	70.0	2.76	74.6	2.94	81.1	3.19	✓

Molded sprocket



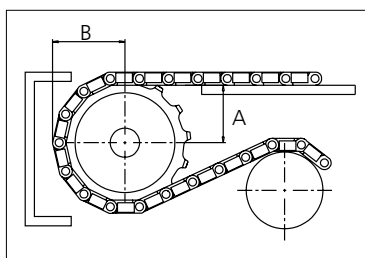
Cast iron sprocket



Molded two part sprocket



Non standard material and color:
See uni Material and Color Overview.



Please ensure that sufficient size shaft and keyway are chosen for corresponding load.

Other sprocket sizes are available upon request

Width of tooth: 15.8 mm/0.62 in

Width of sprocket: 42.3 mm/1.67 in

uni Retainer Rings: See uni Retainer Ring data sheet

uni Idler: See uni Idler data sheet



Conveyor Belts



Seamless Belts



Modular Belts



Timing Belts



Transmission Belts



Fabrication & service

Solid advice
For all your belting needs
Local stock & service
www.ammeraalbeltech.com

Ammeraal Beltech Modular A/S
Hjulmagervej 21
DK-7100 Vejle

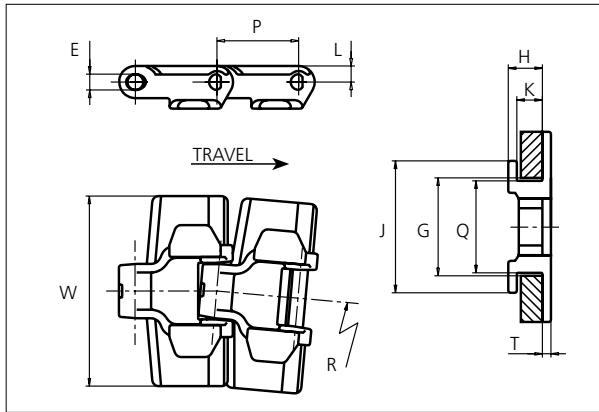
T +45 7572 3100
F +45 7572 3348
admin@unichains.com
www.unichains.com

This information is subject to alteration due to continuous development. Ammeraal Beltech will not be held liable for the incorrect use of the above stated information. This information replaces previous information. All activities performed and services rendered by Ammeraal Beltech are subject to general terms and conditions of sale and delivery, as applied by its operating companies.



Slat Top Plastic Chain

Series **uni 880** Type **Tab R**



Slat Top Plastic Chain
 Side flexing chain
 Pitch: 38.1 mm (1.50 in)
 Backflex radius:
 75.0 mm (3.00 in)
 Permissible tensile strength:
 POM material:
 2250 N (506 lbf)

 Standard shipping lengths:
 boxes of 80 links
 = 3.048 m (10.0 ft)

E		G		H		J		K		L		P		Q		T	
mm	in	mm	in	mm	in	mm	in	mm	in	mm	in	mm	in	mm	in	mm	in
7.1	0.28	44.5	1.75	15.9	0.63	61.5	2.42	11.9	0.47	7.5	0.30	38.1	1.50	43.1	1.70	4.0	0.16

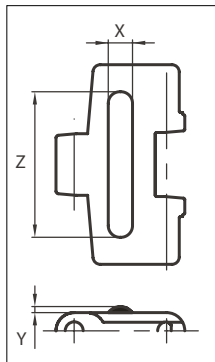
All dimensions are for chains in POM material.

	Width (W)		Material & color	Pin material	Weight		Min. radius (R)	
	mm	in			kg/m	lb/ft	mm	in
K200	50.6	2.00	-	-	-	-	-	-
K250	63.5	2.50	POM-LF BR	SS304	0.8	0.54	200	7.87
K325	82.6	3.25	POM-LF BR POM-SLF DG	SS304	1.0	0.67	200	7.87
K450	114.3	4.50	POM-LF BR	SS304	1.1	0.75	200	7.87

Non standard material and color: See uni Material and Color Overview.
 Non standard pin material: See uni Material and Color Overview.

Accessories

Rubber Top



When ordering, please state the required distance between the Rubber Top.

Other Non Standard rubber profiles:
 See uni Rubber Profile Overview.

Width	Link material	Rubber material	Z		X		Y	
			mm	in	mm	in	mm	in
K325	POM-LF BR	05 I	60	2.36	10	0.39	2.5	0.10



STANDARD

SIDE FLEXING

PITCH 38.1 MM/1.50 IN

Sprocket

No. of teeth	Pitch diameter		Overall diameter		Min. ø bore		Max. ø bore		Hub diameter		Dimension A		Dimension B		Molded PA6 LG	Molded Cast Iron
	mm	in	mm	in	mm	in	mm	in	mm	in	mm	in	mm	in		
Z9	111.4	4.39	109.7	4.32	20.0	0.80	40.0	1.60	70.0	2.76	55.9	2.20	63.2	2.49	✓	✓
Z10	123.3	4.85	122.3	4.81	20.0	0.80	40.0	1.60	70.0	2.76	62.2	2.45	69.2	2.72	✓	✓
Z11	135.2	5.32	134.8	5.31	20.0	0.80	40.0	1.60	70.0	2.76	68.4	2.69	75.1	2.96	✓	✓
Z12	147.2	5.80	147.2	5.80	20.0	0.80	40.0	1.60	70.0	2.76	74.6	2.94	81.1	3.19	✓	✓
Z15	183.3	7.22	184.3	7.26	20.0	0.80	40.0	1.60	70.0	2.76	93.2	3.67	99.2	3.91	✓	✓

Two part sprocket

No. of teeth	Pitch diameter		Overall diameter		Min. ø bore		Max. ø bore		Hub diameter		Dimension A		Dimension B		Molded PA6 LG
	mm	in	mm	in	mm	in	mm	in	mm	in	mm	in	mm	in	
Z9	111.4	4.39	109.7	4.32	20.0	0.80	40.0	1.60	70.0	2.76	55.9	2.20	63.2	2.49	✓
Z10	123.3	4.85	122.3	4.81	20.0	0.80	40.0	1.60	70.0	2.76	62.2	2.45	69.2	2.72	✓
Z11	135.2	5.32	134.8	5.31	20.0	0.80	40.0	1.60	70.0	2.76	68.4	2.69	75.1	2.96	✓
Z12	147.2	5.80	147.2	5.80	20.0	0.80	40.0	1.60	70.0	2.76	74.6	2.94	81.1	3.19	✓

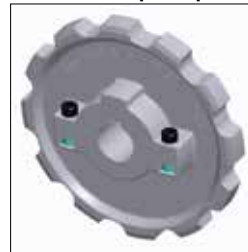
Molded sprocket



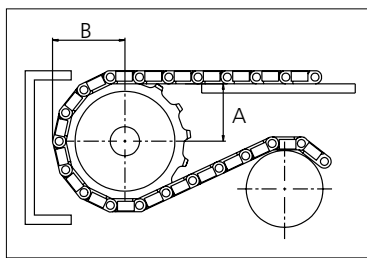
Cast iron sprocket



Molded two part sprocket



Non standard material and color:
See uni Material and Color Overview.



Please ensure that sufficient size shaft and keyway are chosen for corresponding load.

Other sprocket sizes are available upon request
Width of tooth: 15.8 mm/0.62 in
Width of sprocket: 42.3 mm/1.67 in
uni Retainer Rings: See uni Retainer Ring data sheet
uni Idler: See uni Idler data sheet



Solid advice
For all your belting needs
Local stock & service
www.ammeraalbeltech.com

Ammeraal Beltech Modular A/S
Hjulmagervej 21
DK-7100 Vejle

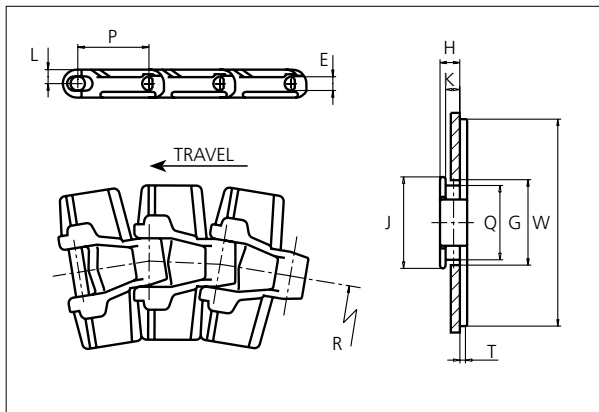
T +45 7572 3100
F +45 7572 3348
admin@unichains.com
www.unichains.com

This information is subject to alteration due to continuous development. Ammeraal Beltech will not be held liable for the incorrect use of the above stated information. This information replaces previous information. All activities performed and services rendered by Ammeraal Beltech are subject to general terms and conditions of sale and delivery, as applied by its operating companies.



Slat Top Plastic Chain

Series **uni 880** Type **Tab RT**



Slat Top Plastic Chain
 Side flexing chain
 Pitch: 38.1 mm (1.50 in)
 Backflex radius:
 75.0 mm (3.00 in)
 Permissible tensile strength:
 POM material:
 2250 N (506 lbf)

 Standard shipping lengths:
 boxes of 80 links
 = 3.048 m (10.0 ft)

E		G		H		J		K		L		P		Q		T	
mm	in	mm	in	mm	in	mm	in	mm	in	mm	in	mm	in	mm	in	mm	in
7.1	0.28	44.5	1.75	11.0	0.43	50.4	1.98	7.9	0.30	7.5	0.30	38.1	1.50	41.2	1.62	4.0	0.16

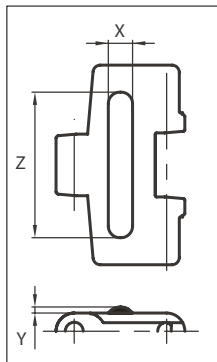
All dimensions are for chains in POM material.

	Width (W)		Material & color	Pin material	Weight		Min. radius (R)	
	mm	in			kg/m	lb/ft	mm	in
K325	82.6	3.25	POM-LF BR	SS304	0.9	0.60	200	7.87
K450	114.3	4.25	-	-	-	-	-	-

Non standard material and color: See uni Material and Color Overview.
 Non standard pin material: See uni Material and Color Overview.

Accessories

Rubber Top



Width	Link material	Rubber material	Z		X		Y	
			mm	in	mm	in	mm	in
K325	POM-LF BR	05 I	60	2.36	10	0.39	2.5	0.10

When ordering, please state the required distance between the Rubber Top.

Other Non Standard rubber profiles: See uni Rubber Profile Overview.



STANDARD

SIDE FLEXING

PITCH 38.1 MM/1.50 IN

Sprocket

No. of teeth	Pitch diameter		Overall diameter		Min. ϕ bore		Max. ϕ bore		Hub diameter		Dimension A		Dimension B		Molded PA6 LG	Molded Cast Iron
	mm	in	mm	in	mm	in	mm	in	mm	in	mm	in	mm	in		
Z9	111.4	4.39	109.7	4.32	20.0	0.80	40.0	1.60	70.0	2.76	55.9	2.20	63.2	2.49	✓	✓
Z10	123.3	4.85	122.3	4.81	20.0	0.80	40.0	1.60	70.0	2.76	62.2	2.45	69.2	2.72	✓	✓
Z11	135.2	5.32	134.8	5.31	20.0	0.80	40.0	1.60	70.0	2.76	68.4	2.69	75.1	2.96	✓	✓
Z12	147.2	5.80	147.2	5.80	20.0	0.80	40.0	1.60	70.0	2.76	74.6	2.94	81.1	3.19	✓	✓
Z15	183.3	7.22	184.3	7.26	20.0	0.80	40.0	1.60	70.0	2.76	93.2	3.67	99.2	3.91	✓	✓

Two part sprocket

No. of teeth	Pitch diameter		Overall diameter		Min. ϕ bore		Max. ϕ bore		Hub diameter		Dimension A		Dimension B		Molded PA6 LG
	mm	in	mm	in	mm	in	mm	in	mm	in	mm	in	mm	in	
Z9	111.4	4.39	109.7	4.32	20.0	0.80	40.0	1.60	70.0	2.76	55.9	2.20	63.2	2.49	✓
Z10	123.3	4.85	122.3	4.81	20.0	0.80	40.0	1.60	70.0	2.76	62.2	2.45	69.2	2.72	✓
Z11	135.2	5.32	134.8	5.31	20.0	0.80	40.0	1.60	70.0	2.76	68.4	2.69	75.1	2.96	✓
Z12	147.2	5.80	147.2	5.80	20.0	0.80	40.0	1.60	70.0	2.76	74.6	2.94	81.1	3.19	✓

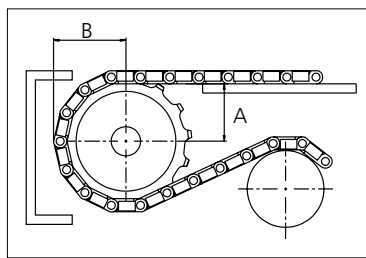
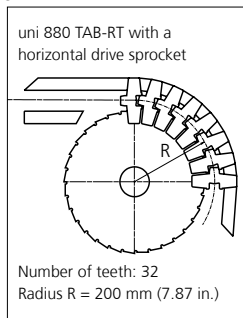
Molded sprocket



Cast iron sprocket



Molded two part sprocket



Please ensure that sufficient size shaft and keyway are chosen for corresponding load.

Non standard material and color:
See uni Material and Color Overview.

Other sprocket sizes are available upon request
Width of tooth: 15.8 mm/0.62 in
Width of sprocket: 42.3 mm/1.67 in
uni Retainer Rings: See uni Retainer Ring data sheet
uni Idler: See uni Idler data sheet

uni 880 Tab RT/160616



Solid advice
For all your belting needs
Local stock & service
www.ammeraalbeltech.com

Ammeraal Beltech Modular A/S
Hjulmagervej 21
DK-7100 Vejle

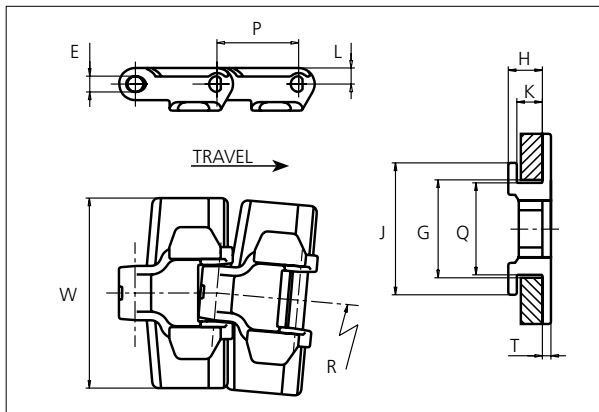
T +45 7572 3100
F +45 7572 3348
admin@unichains.com
www.unichains.com

This information is subject to alteration due to continuous development. Ammeraal Beltech will not be held liable for the incorrect use of the above stated information. This information replaces previous information. All activities performed and services rendered by Ammeraal Beltech are subject to general terms and conditions of sale and delivery, as applied by its operating companies.



Slat Top Plastic Chain

Series **uni 880** Type **Tab**



Slat Top Plastic Chain
 Side flexing chain
 Pitch: 38.1 mm (1.50 in)
 Backflex radius:
 75.0 mm (3.00 in)
 Permissible tensile strength:
 POM material:
 2250 N (506 lbf)
 Standard shipping lengths:
 boxes of 80 links
 = 3.048 m (10.0 ft)

E		G		H		J		K		L		P		Q		T	
mm	in	mm	in	mm	in	mm	in	mm	in	mm	in	mm	in	mm	in	mm	in
7.1	0.28	44.5	1.75	15.9	0.63	61.5	2.42	11.9	0.47	7.5	0.30	38.1	1.50	43.1	1.70	4.0	0.16

All dimensions are for chains in POM material.

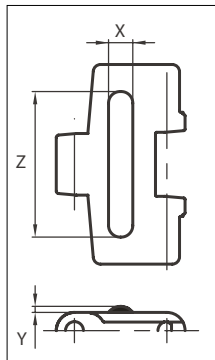
	Width (W)		Material & color	Pin material	Weight		Min. radius (R)		
	mm	in			kg/m	lb/ft	mm	in	
K250	63.5	2.50	-	-	-	-	-	-	
K325	82.6	3.25	POM-D W G POM-LF BR B	POM-SLF DG POM-EC K	SS304	1.0	0.67	400	15.75
K350	88.9	3.50	POM-LF BR B		SS304	1.0	0.67	400	15.75
K450	114.3	4.50	POM-D W G POM-LF BR B		SS304	1.1	0.74	400	15.75
K750	190.5	7.50	POM-D W G POM-LF BR B		SS304	1.5	1.00	400	15.75

Non standard material and color: See uni Material and Color Overview.

Non standard pin material: See uni Material and Color Overview.

Accessories

Rubber Top



When ordering, please state the required distance between the Rubber Top.

Other Non Standard rubber profiles: See uni Rubber Profile Overview.

Width	Link material	Rubber material	Z		X		Y	
			mm	in	mm	in	mm	in
K325	POM-LF BR	05 I	60	2.36	10	0.39	2.5	0.10
K350	POM-LF BR	05 I	60	2.36	10	0.39	2.5	0.10
K450	POM-LF BR	05 I	90	3.54	10	0.39	2.5	0.10
K750	POM-LF BR	05 I	130	5.12	10	0.39	2.5	0.10



STANDARD

SIDE FLEXING

PITCH 38.1 MM/1.50 IN

Sprocket

No of teeth	Pitch diameter		Overall-diameter		Min. ø bore		Max. ø bore		Hub-diameter		Dimension A		Dimension B		Molded PA6 LG	Molded Cast Iron
	mm	in	mm	in	mm	in	mm	in	mm	in	mm	in	mm	in		
Z9	111.4	4.39	109.7	4.32	20.0	0.80	40.0	1.60	70.0	2.76	55.9	2.20	63.2	2.49	✓	✓
Z10	123.3	4.85	122.3	4.81	20.0	0.80	40.0	1.60	70.0	2.76	62.2	2.45	69.2	2.72	✓	✓
Z11	135.2	5.32	134.8	5.31	20.0	0.80	40.0	1.60	70.0	2.76	68.4	2.69	75.1	2.96	✓	✓
Z12	147.2	5.80	147.2	5.80	20.0	0.80	40.0	1.60	70.0	2.76	74.6	2.94	81.1	3.19	✓	✓
Z15	183.3	7.22	184.3	7.26	20.0	0.80	40.0	1.60	70.0	2.76	93.2	3.67	99.2	3.91	✓	✓

Two part sprocket

No of teeth	Pitch diameter		Overall-diameter		Min. ø bore		Max. ø bore		Hub-diameter		Dimension A		Dimension B		Molded PA6 LG
	mm	in	mm	in	mm	in	mm	in	mm	in	mm	in	mm	in	
Z9	111.4	4.39	109.7	4.32	20.0	0.80	40.0	1.60	70.0	2.76	55.9	2.20	63.2	2.49	✓
Z10	123.3	4.85	122.3	4.81	20.0	0.80	40.0	1.60	70.0	2.76	62.2	2.45	69.2	2.72	✓
Z11	135.2	5.32	134.8	5.31	20.0	0.80	40.0	1.60	70.0	2.76	68.4	2.69	75.1	2.96	✓
Z12	147.2	5.80	147.2	5.80	20.0	0.80	40.0	1.60	70.0	2.76	74.6	2.94	81.1	3.19	✓

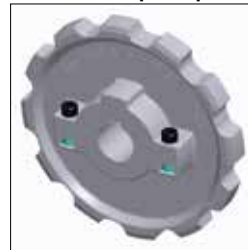
Molded sprocket



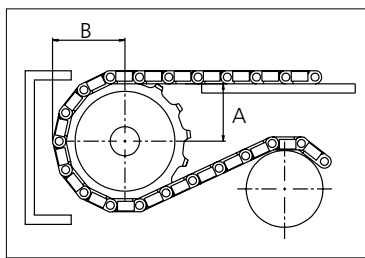
Cast iron sprocket



Molded two part sprocket



Non standard material and color:
See uni Material and Color Overview.



Please ensure that sufficient size shaft and keyway are chosen for corresponding load.

Other sprocket sizes are available upon request
Width of tooth: 15.8 mm/0.62 in
Width of sprocket: 42.3 mm/1.67 in
uni Retainer Rings: See uni Retainer Ring data sheet
uni Idler: See uni Idler data sheet

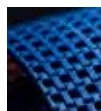
uni 880 Tab/160624



Conveyor Belts



Seamless Belts



Modular Belts



Timing Belts



Transmission Belts



Fabrication & service

Expert advice, quality solutions and local service for all your belting needs
www.ammeraalbeltech.com

Ammeraal Beltech Modular A/S
Hjulmagervej 21
DK-7100 Vejle

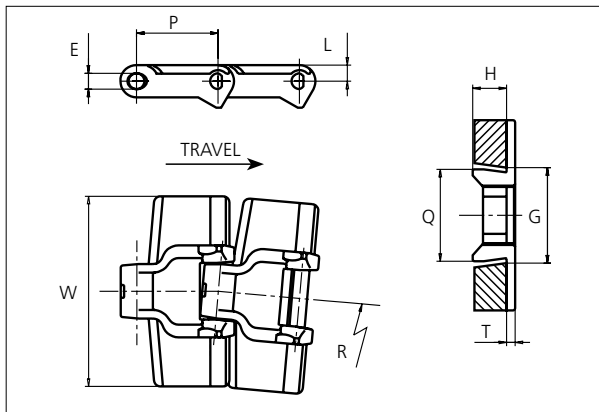
T +45 7572 3100
F +45 7572 3348
admin@unichains.com
www.unichains.com

This information is subject to alteration due to continuous development. Ammeraal Beltech will not be held liable for the incorrect use of the above stated information. This information replaces previous information. All activities performed and services rendered by Ammeraal Beltech are subject to general terms and conditions of sale and delivery, as applied by its operating companies.



Slat Top Plastic Chain

Series **uni 880** Type -



Slat Top Plastic Chain
 Side flexing chain
 Pitch: 38.1 mm (1.50 in)
 Backflex radius:
 75.0 mm (3.00 in)
 Permissible tensile strength:
 POM material:
 2250 N (506 lbf)
 Standard shipping lengths:
 boxes of 80 links
 = 3.048 m (10.0 ft)

STANDARD

E		G*		G**		H		J		K		L		P		Q		T	
mm	in	mm	in	mm	in	mm	in	mm	in	mm	in	mm	in	mm	in	mm	in	mm	in
7.1	0.28	41.3	1.63	46.6	1.83	15.9	0.63	61.5	2.42	11.9	0.47	7.5	0.30	38.1	1.50	43.1	1.70	4.0	0.16

*Curve, ** Straight

All dimensions are for chains in POM material.

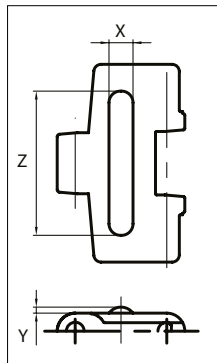
	Width (W)		Material & color	Pin material	Weight		Min. radius (R)	
	mm	in			kg/m	lb/ft	mm	in
K250	63.5	2.50	-	-	-	-	-	-
K325	82.6	3.25	POM-LF BR	SS304	0.9	0.60	400	15.75
K350	88.9	3.50	-	SS304	1.0	0.67	400	15.75
K450	114.3	4.50	POM-LF BR	SS304	1.4	0.94	400	15.75
K750	190.5	7.50	-	-	-	-	-	-

Non standard material and color: See uni Material and Color Overview.

Non standard pin material: See uni Material and Color Overview.

Accessories

Rubber Top



When ordering, please state the required distance between the Rubber Top.

Other Non Standard rubber profiles:
 See uni Rubber Profile Overview.

Width	Link material	Rubber material	Z		X		Y	
			mm	in	mm	in	mm	in
K325	POM-LF BR	05 I	60	2.36	10	0.39	2.5	0.10
K350	POM-LF BR	05 I	60	2.36	10	0.39	2.5	0.10
K450	POM-LF BR	05 I	90	3.54	10	0.39	2.5	0.10

SIDE FLEXING

PITCH 38.1 MM/1.50 IN



Sprocket

No of teeth	Pitch diameter		Overall-diameter		Min. ø bore		Max. ø bore		Hub-diameter		A-dimension		B-dimension		Molded PA6 LG	Molded Cast Iron
	mm	in	mm	in	mm	in	mm	in	mm	in	mm	in	mm	in		
Z9	111.4	4.39	109.7	4.32	20.0	0.80	40.0	1.60	70.0	2.76	55.9	2.20	63.2	2.49	✓	✓
Z10	123.3	4.85	122.3	4.81	20.0	0.80	40.0	1.60	70.0	2.76	62.2	2.45	69.2	2.72	✓	✓
Z11	135.2	5.32	134.8	5.31	20.0	0.80	40.0	1.60	70.0	2.76	68.4	2.69	75.1	2.96	✓	✓
Z12	147.2	5.80	147.2	5.80	20.0	0.80	40.0	1.60	70.0	2.76	74.6	2.94	81.1	3.19	✓	✓
Z15	183.3	7.22	184.3	7.26	20.0	0.80	40.0	1.60	70.0	2.76	93.2	3.67	99.2	3.91	✓	✓

Two part sprocket

No of teeth	Pitch diameter		Overall-diameter		Min. ø bore		Max. ø bore		Hub-diameter		A-dimension		B-dimension		Molded PA6 LG
	mm	in	mm	in	mm	in	mm	in	mm	in	mm	in	mm	in	
Z9	111.4	4.39	109.7	4.32	20.0	0.80	40.0	1.60	70.0	2.76	55.9	2.20	63.2	2.49	✓
Z10	123.3	4.85	122.3	4.81	20.0	0.80	40.0	1.60	70.0	2.76	62.2	2.45	69.2	2.72	✓
Z11	135.2	5.32	134.8	5.31	20.0	0.80	40.0	1.60	70.0	2.76	68.4	2.69	75.1	2.96	✓
Z12	147.2	5.80	147.2	5.80	20.0	0.80	40.0	1.60	70.0	2.76	74.6	2.94	81.1	3.19	✓

Molded sprocket



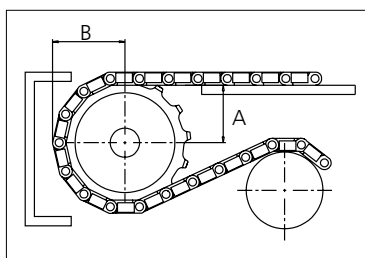
Cast iron sprocket



Molded two part sprocket



Non standard material and color:
See uni Material and Color Overview.



Please ensure that sufficient size shaft and keyway are chosen for corresponding load.

Other sprocket sizes are available upon request

Width of tooth: 15.8 mm/0.62 in

Width of sprocket: 42.3 mm/1.67 in

uni Retainer Rings: See uni Retainer Ring data sheet

uni Idler: See uni Idler data sheet



Solid advice
For all your belting needs
Local stock & service
www.ammeraalbeltech.com

Ammeraal Beltech Modular A/S
Hjulmagervej 21
DK-7100 Vejle

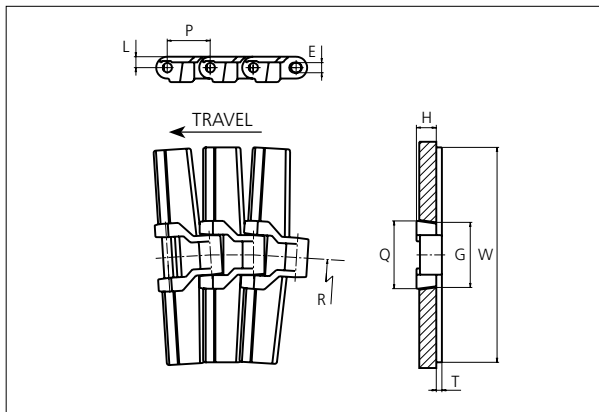
T +45 7572 3100
F +45 7572 3348
admin@unichains.com
www.unichains.com

This information is subject to alteration due to continuous development. Ammeraal Beltech will not be held liable for the incorrect use of the above stated information. This information replaces previous information. All activities performed and services rendered by Ammeraal Beltech are subject to general terms and conditions of sale and delivery, as applied by its operating companies.



Slat Top Plastic Chain

Series **uni 882** Type -



Slat Top Plastic Chain
 Side flexing chain
 Pitch: 38.1 mm (1.50 in)
 Backflex radius:
 75.0 mm (3.0 in)
 Permissible tensile strength:
 POM material:
 4000 N (899 lbf)

 Standard shipping lengths:
 boxes of 80 links
 = 3.048 m (10.0 ft)

NON STANDARD

E		G*		G**		H		L		P		Q		T	
mm	in	mm	in	mm	in	mm	in	mm	in	mm	in	mm	in	mm	in
8.7	0.34	58.0	2.28	63.6	2.50	17.5	0.69	9.5	0.37	38.1	1.50	60.5	2.38	5.0	0.20

*Curve. ** Straight

All dimensions are for chains in POM material.

SIDE FLEXING

	Width (W)		Recommended material & color	Recommended pin material	Weight		Min. radius (R)		
	mm	in			kg/m	lb/ft	mm	in	
K450	114.3	4.50	POM-D W POM-LF BR	POM-D G POM-SLF DG	SS304	1.8	1.21	610	24.02
K750	190.5	7.50	POM-D W POM-LF BR	POM-D G POM-SLF DG	SS304	2.2	1.48	610	24.02
K1000	254.0	10.00	POM-D W POM-LF BR	POM-D G POM-SLF DG	SS304	2.5	1.68	610	24.02
K1200	304.8	12.00	POM-D W POM-LF BR	POM-D G POM-SLF DG	SS304	2.8	1.88	610	24.02

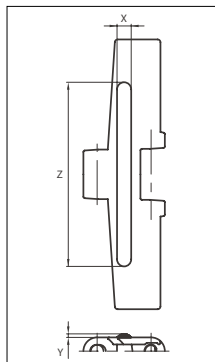
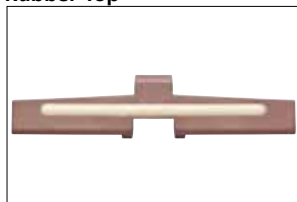
Non standard material and color: See uni Material and Color Overview.

Non standard pin material: See uni Material and Color Overview.

PITCH 38.1 MM/1.50 IN

Accessories

Rubber Top



When ordering, please state the required distance between the Rubber Top.

Other Non Standard rubber profiles: See uni Rubber Profile Overview.

Width	Link material	Rubber material	Z		X		Y	
			mm	in	mm	in	mm	in
K450	POM-LF BR	05 I	90.0	3.54	10.0	0.39	2.5	0.10
	POM-D G							
K750	POM-LF BR	05 I	130.0	5.12	10.0	0.39	2.5	0.10
	POM-D G							
K1000	POM-LF BR	05 I	200.0	7.87	10.0	0.39	2.5	0.10
	POM-D G							
K1200	POM-LF BR	05 I	295.0	11.61	9.0	0.35	2.5	0.10
	POM-D G							



Sprocket

No. of teeth	Pitch diameter		Overall diameter		Min. ø bore		Max. ø bore		Hub diameter		Dimension A		Dimension B		Molded PA6 LG	Molded Cast Iron	Machined PA6
	mm	in	mm	in	mm	in	mm	in	mm	in	mm	in	mm	in			
Z9	111.4	4.39	112.7	4.44	20.0	0.79	45.0	1.77	60.0	2.36	57.1	2.25	65.4	2.57	✓	✓	
Z10	123.3	4.85	125.0	4.92	20.0	0.79	45.0	1.77	65.0	2.56	63.4	2.50	71.3	2.81	✓	✓	
Z11	135.2	5.32	137.4	5.41	20.0	0.79	50.0	1.97	73.5	2.89	69.6	2.74	77.3	3.04	✓	✓	
Z12	147.2	5.80	150.6	5.93	20.0	0.79	50.0	1.97	73.5	2.89	75.8	2.98	83.3	3.28	✓	✓	
Z15	183.3	7.22	186.9	7.36	20.0	0.79	50.0	1.97	120.0	4.72	94.3	3.71	101.3	3.99		✓	✓

Two part sprocket

No. of teeth	Pitch diameter		Overall diameter		Min. ø bore		Max. ø bore		Hub diameter		Dimension A		Dimension B		Molded PA6 LG
	mm	in	mm	in	mm	in	mm	in	mm	in	mm	in	mm	in	
Z9	111.4	4.39	112.7	4.31	20.0	0.79	45.0	1.77	60.0	2.36	57.1	2.25	65.4	2.57	✓
Z10	123.3	4.85	125.0	4.81	20.0	0.79	45.0	1.77	65.0	2.56	63.4	2.50	71.3	2.81	✓
Z11	135.2	5.32	137.4	5.30	20.0	0.79	50.0	1.97	73.5	2.89	69.6	2.74	77.3	3.04	✓
Z12	147.2	5.80	150.6	5.79	20.0	0.79	50.0	1.97	73.5	2.89	75.8	2.98	83.3	3.28	✓

Molded sprocket



Cast iron sprocket



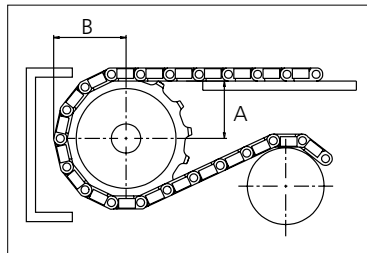
Machined sprocket



Molded two part sprocket



Non standard material and color:
See uni Material and Color Overview.



Please ensure that sufficient size shaft and keyway are chosen for corresponding load.

Other sprocket sizes are available upon request

Width of tooth: 22.20 mm/0.87 in

Width of sprocket: 42.3 mm/1.70 in

uni Retainer Rings: See uni Retainer Ring data sheet

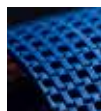
uni 882/180409



Conveyor Belts



Seamless Belts



Modular Belts



Timing Belts



Transmission Belts



Fabrication & service

Solid advice
For all your belting needs
Local stock & service
www.ammeraalbeltech.com

Ammeraal Beltech Modular A/S
Hjulmagervej 21
DK-7100 Vejle

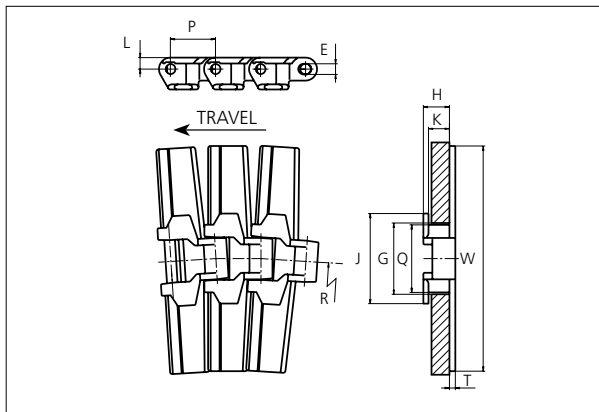
T +45 7572 3100
F +45 7572 3348
admin@unichains.com
www.unichains.com

This information is subject to alteration due to continuous development. Ammeraal Beltech will not be held liable for the incorrect use of the above stated information. This information replaces previous information. All activities performed and services rendered by Ammeraal Beltech are subject to general terms and conditions of sale and delivery, as applied by its operating companies.



Slat Top Plastic Chain

Series **uni 882** Type **Tab**



Slat Top Plastic Chain
 Side flexing chain
 Pitch: 38.1 mm (1.50 in)
 Backflex radius:
 75.0 mm (3.0 in)
 Permissible tensile strength:
 POM material:
 4000 N (899 lbf)
 Standard shipping lengths:
 boxes of 80 links
 = 3.048 m (10.0 ft)

STANDARD

E		G		H		J		K		L		P		Q		T	
mm	in	mm	in	mm	in	mm	in	mm	in	mm	in	mm	in	mm	in	mm	in
8.7	0.34	59.5	2.34	22.2	0.87	76.2	3.00	17.5	0.69	9.5	0.37	38.1	1.50	57.2	2.25	5.0	0.20

All dimensions are for chains in POM material.

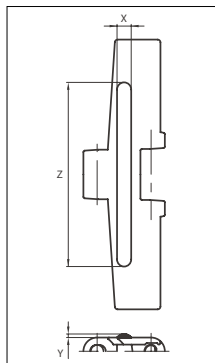
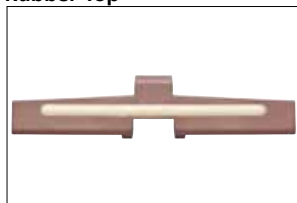
	Width (W)		Material & color	Pin material	Weight		Min. radius (R)	
	mm	in			kg/m	lb/ft	mm	in
K450	114.3	4.50	POM-LF BR B	SS304	1.9	1.28	610	24.02
K750	190.5	7.50	POM-D G POM-LF BR B	SS304	2.3	1.55	610	24.02
K1000	254.0	10.00	POM-D W POM-LF BR B	SS304	2.7	1.81	610	24.02
K1200	304.8	12.00	POM-D W G POM-LF BR B	SS304	2.9	1.95	610	24.02
K1500	381.0	15.00	POM-LF BR B	SS304	3.1	2.08	700*	27.56*
K1600	406.4	16.00	POM-LF BR B	SS304	3.2	2.15	700*	27.56*

Non standard material and color: See uni Material and Color Overview.
 Non standart pin material: See uni Material and Color Overview.

* For uni 882 Tab-K1500 and uni 882 Tab-K1600 we recommend minimum turn radius 700 mm/27.56 in because of the chain width and the danger of links overlapping.

Accessories

Rubber Top



When ordering, please state the required distance between the Rubber Top.

Other Non Standard rubber profiles: See uni Rubber Profile Overview.

Width	Link material	Rubber material	Z		X		Y	
			mm	in	mm	in	mm	in
K450	POM-LF BR	05 I	90.0	3.54	10.0	0.39	2.5	0.10
K750	POM-LF BR POM-D G	05 I	130.0	5.12	10.0	0.39	2.5	0.10
K1000	POM-LF BR	05 I	200.0	7.87	10.0	0.39	2.5	0.10
K1200	POM-LF BR POM-D G	05 I	295.0	11.61	9.0	0.35	2.5	0.10
K1500	POM-LF BR	05 I	295.0	11.61	8.0	0.31	2.5	0.10
K1600	POM-LF BR	05 I	295.0	11.61	8.0	0.31	2.5	0.10

SIDE FLEXING

PITCH 38.1 MM/1.50 IN



Sprocket

No of teeth	Pitch diameter		Overall-diameter		Min. ø bore		Max. ø bore		Hub-diameter		Dimension A		Dimension B		Molded PA6 LG	Molded Cast Iron	Machined PA6 LG
	mm	in	mm	in	mm	in	mm	in	mm	in	mm	in	mm	in			
Z9	111.4	4.39	112.7	4.44	20.0	0.79	45.0	1.77	60.0	2.36	57.1	2.25	65.4	2.57	✓	✓	
Z10	123.3	4.85	125.0	4.92	20.0	0.79	45.0	1.77	65.0	2.56	63.4	2.50	71.3	2.81	✓	✓	
Z11	135.2	5.32	137.4	5.41	20.0	0.79	50.0	1.97	73.5	2.89	69.6	2.74	77.3	3.04	✓	✓	
Z12	147.2	5.80	150.6	5.93	20.0	0.79	50.0	1.97	73.5	2.89	75.8	2.98	83.3	3.28	✓	✓	
Z15	183.3	7.22	186.9	7.36	20.0	0.79	50.0	1.97	120.0	4.72	94.3	3.71	101.3	3.99		✓	✓

Two part sprocket

No of teeth	Pitch diameter		Overall-diameter		Min. ø bore		Max. ø bore		Hub-diameter		Dimension A		Dimension B		Molded PA6 LG
	mm	in	mm	in	mm	in	mm	in	mm	in	mm	in	mm	in	
Z9	111.4	4.39	112.7	4.31	20.0	0.79	45.0	1.77	60.0	2.36	57.1	2.25	65.4	2.57	✓
Z10	123.3	4.85	125.0	4.81	20.0	0.79	45.0	1.77	65.0	2.56	63.4	2.50	71.3	2.81	✓
Z11	135.2	5.32	137.4	5.30	20.0	0.79	50.0	1.97	73.5	2.89	69.6	2.74	77.3	3.04	✓
Z12	147.2	5.80	150.6	5.79	20.0	0.79	50.0	1.97	73.5	2.89	75.8	2.98	83.3	3.28	✓

Molded sprocket



Cast iron sprocket



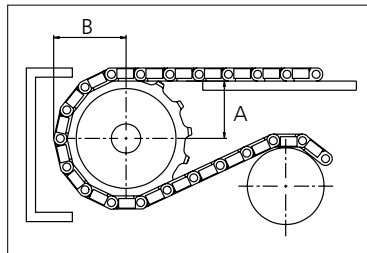
Machined sprocket



Molded two part sprocket



Non standard material and color:
See uni Material and Color Overview.



Please ensure that sufficient size shaft and keyway are chosen for corresponding load.

Other sprocket sizes are available upon request

Width of tooth: 22.20 mm/0.87 in

Width of sprocket: 42.3 mm/1.70 in

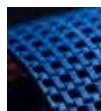
uni Retainer Rings: See uni Retainer Ring data sheet



Conveyor Belts



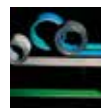
Seamless Belts



Modular Belts



Timing Belts



Transmission Belts



Fabrication & service

Expert advice, quality solutions and local service for all your belting needs
www.ammeraalbeltech.com

Ammeraal Beltech Modular A/S
Hjulmagervej 21
DK-7100 Vejle

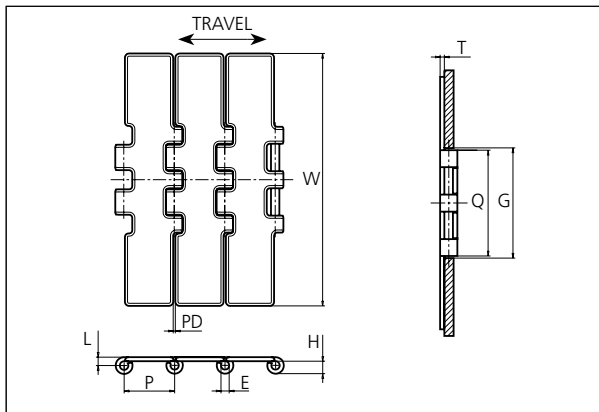
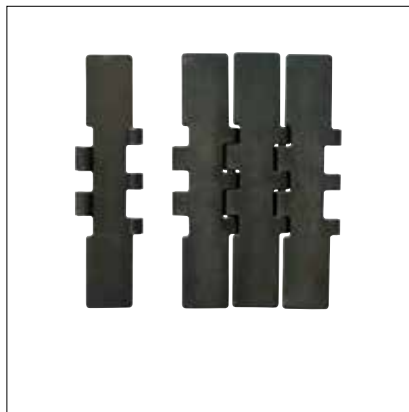
T +45 7572 3100
F +45 7572 3348
admin@unichains.com
www.unichains.com

This information is subject to alteration due to continuous development. Ammeraal Beltech will not be held liable for the incorrect use of the above stated information. This information replaces previous information. All activities performed and services rendered by Ammeraal Beltech are subject to general terms and conditions of sale and delivery, as applied by its operating companies.



Slat Top Steel Chain

Series **uni 800** Type **Double Hinge**



Slat Top Steel Chain
 Straight running chain
 Pitch: 38.1 mm (1.50 in)
 Backflex radius:
 150.0 mm (5.91 in)

 Standard shipping lengths:
 coils of 80 links
 = 3.048 m (10.0 ft)

STANDARD

E		G		H		L		P		Q		T		PD	
mm	in	mm	in	mm	in	mm	in	mm	in	mm	in	mm	in	mm	in
6.4	0.25	82.5	3.25	9.9	0.39	6.5	0.26	38.1	1.50	80.5	3.17	3.0	0.12	1.6	0.06

STRAIGHT RUNNING

	Width (W)		Weight		Permissible tensile strength N/lbf	Chain material	Pin material*	Surface	
	mm	in	kg/m	lb/ft				Roughness	Hardness
K750	190.5	7.50	5.80	3.90	6000 / 1349	S1045 (Heat-treated Carbon Steel)	S1045 (Case-hardened Carbon Steel)	> 0.5 μm	43 HRC

* Chains with special hardened pin (HP) for additional wear resistance and higher corrosion strength are made to order.

PITCH 38.1 MM/1.50 IN



Sprocket

No. of teeth	Pitch diameter		Overall diameter		Min. ϕ bore		Max. ϕ bore		Hub diameter		Dimension A		Dimension B		Molded Cast Iron	Machined PA6
	mm	in	mm	in	mm	in	mm	in	mm	in	mm	in	mm	in		
Z19	117.3	4.62	117.0	4.61	20.0	0.79	70.0	2.76	0	0	58.7	2.31	64.5	2.54	✓	✓
Z21	129.2	5.09	130.0	5.12	20.0	0.79	70.0	2.76	0	0	65.0	2.56	70.5	2.78	✓	✓
Z23	141.2	5.56	142.0	5.59	20.0	0.79	70.0	2.76	0	0	71.2	2.80	76.5	3.01	✓	✓
Z25	153.2	6.03	155.0	6.10	20.0	0.79	70.0	2.76	0	0	77.4	3.05	82.5	3.25	✓	✓
Z27	165.2	6.50	167.0	6.57	20.0	0.79	100.0	3.93	0	0	83.6	3.29	88.5	3.48	✓	✓
Z29	177.2	6.98	179.0	7.05	20.0	0.79	110.0	4.33	0	0	89.8	3.54	94.6	3.72	✓	✓
Z31	189.3	7.45	192.0	7.56	20.0	0.79	120.0	4.72	0	0	95.9	3.78	100.6	3.96	✓	✓

Two part sprocket

No. of teeth	Pitch diameter		Overall diameter		Min. ϕ bore		Max. ϕ bore		Hub diameter		Dimension A		Dimension B		Molded PA6
	mm	in	mm	in	mm	in	mm	in	mm	in	mm	in	mm	in	
Z25	153.2	6.03	155.0	6.10	30.0	1.18	40.0	1.57	58.0	2.28	77.4	3.05	82.5	3.25	✓

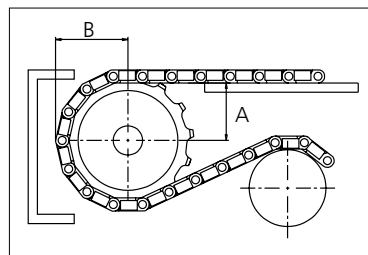
Cast iron sprocket



Machined sprocket



Molded two part sprocket



Please ensure that sufficient size shaft and keyway are chosen for corresponding load.

Other sprocket sizes are available upon request

Width of tooth: 79.4 mm/3.13 in

Width of sprocket: 79.4 mm/3.13 in

uni Retainer Rings: See uni Retainer Ring data sheet

uni Idler: See uni Idler data sheet

uni Guide Rings can be mounted on cast iron and machined sprockets. See uni Guide Rings data sheet

Non standard material and color:
See uni Material and Color Overview.



Conveyor Belts



Seamless Belts



Modular Belts



Timing Belts



Transmission Belts



Fabrication & service

Expert advice, quality solutions and local service for all your belting needs
www.ammeraalbeltech.com

Ammeraal Beltech Modular A/S
Hjulmagervej 21
DK-7100 Vejle

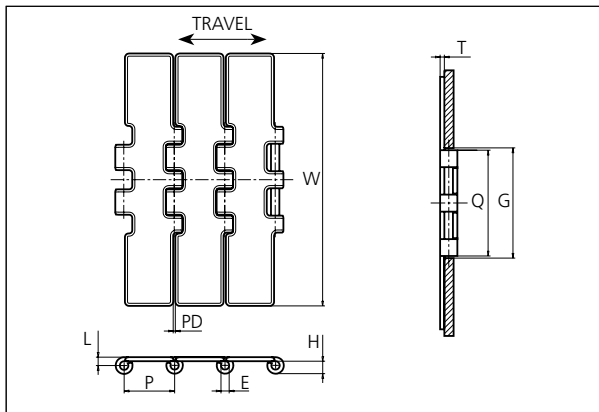
T +45 7572 3100
F +45 7572 3348
admin@unichains.com
www.unichains.com

This information is subject to alteration due to continuous development. Ammeraal Beltech will not be held liable for the incorrect use of the above stated information. This information replaces previous information. All activities performed and services rendered by Ammeraal Beltech are subject to general terms and conditions of sale and delivery, as applied by its operating companies.



Slat Top Stainless Steel Chain

Series **uni 802** Type **Double Hinge**



Slat Top Stainless Steel Chain

Straight running chain
 Pitch: 38.1 mm (1.50 in)
 Backflex radius:
 150.0 mm (5.91 in)
 Standard shipping lengths:
 coils of 80 links
 = 3.048 m (10.0 ft)

STANDARD

E		G		H		L		P		Q		T		PD	
mm	in	mm	in	mm	in	mm	in	mm	in	mm	in	mm	in	mm	in
6.4	0.25	82.5	3.25	9.9	0.39	6.5	0.26	38.1	1.50	80.5	3.17	3.0	0.12	1.6	0.06

STRAIGHT RUNNING

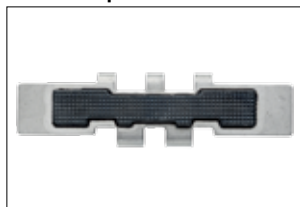
	Width (W)		Weight		Permissible tensile strength N/lbf	Chain material	Pin material*	Surface	
	mm	in	kg/m	lb/ft				Roughness	Hardness
K750	190.5	7.50	5.80	3.90	3500 / 787	ASI 430 (Work hardened ferritic stainless steel)	AISI 431 (Work hardened magnetic stainless steel)	< 0.5 μm	20 HRC

PITCH 38.1 MM/1.50 IN

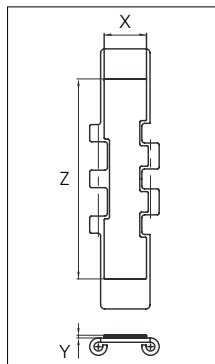
* Chains with special hardened pin (HP) for additional wear resistance and higher corrosion strength are made to order.

Accessories

Rubber Top



Non stock item. Contact Customer Service for delivery time.



Width	Rubber material	Z		X		Y	
		mm	in	mm	in	mm	in
K750	06 K	140.0	5.51	24.5	0.96	3.0	0.12



Sprocket

No. of teeth	Pitch diameter		Overall diameter		Min. ø bore		Max. ø bore		Hub diameter		Dimension A		Dimension B		Molded Cast Iron	Machined PA6
	mm	in	mm	in	mm	in	mm	in	mm	in	mm	in	mm	in		
Z19	117.3	4.62	117.0	4.61	20.0	0.79	70.0	2.76	0	0	58.7	2.31	64.5	2.54	✓	✓
Z21	129.2	5.09	130.0	5.12	20.0	0.79	70.0	2.76	0	0	65.0	2.56	70.5	2.78	✓	✓
Z23	141.2	5.56	142.0	5.59	20.0	0.79	70.0	2.76	0	0	71.2	2.80	76.5	3.01	✓	✓
Z25	153.2	6.03	155.0	6.10	20.0	0.79	70.0	2.76	0	0	77.4	3.05	82.5	3.25	✓	✓
Z27	165.2	6.50	167.0	6.57	20.0	0.79	100.0	3.93	0	0	83.6	3.29	88.5	3.48	✓	✓
Z29	177.2	6.98	179.0	7.05	20.0	0.79	110.0	4.33	0	0	89.8	3.54	94.6	3.72	✓	✓
Z31	189.3	7.45	192.0	7.56	20.0	0.79	120.0	4.72	0	0	95.9	3.78	100.6	3.96	✓	✓

Two part sprocket

No. of teeth	Pitch diameter		Overall diameter		Min. ø bore		Max. ø bore		Hub diameter		Dimension A		Dimension B		Molded PA6 LG
	mm	in	mm	in	mm	in	mm	in	mm	in	mm	in	mm	in	
Z25	153.2	6.03	155.0	6.10	30.0	1.18	40.0	1.57	58.0	2.28	77.4	3.05	82.5	3.25	✓

Non standard material and color:
See uni Material and Color Overview.

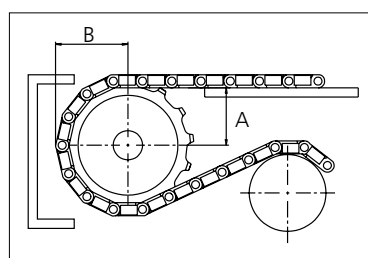
Cast iron sprocket



Machined sprocket



Molded two part sprocket



Please ensure that sufficient size shaft and keyway are chosen for corresponding load.

Other sprocket sizes are available upon request

Width of tooth: 79.4 mm/3.13 in

Width of sprocket: 79.4 mm/3.13 in

uni Retainer Rings: See uni Retainer Ring data sheet

uni Idler: See uni Idler data sheet

uni Guide Rings can be mounted on cast iron and machined sprockets. See uni Guide Rings data sheet



Conveyor Belts



Seamless Belts



Modular Belts



Timing Belts



Transmission Belts



Fabrication & service

Expert advice, quality solutions and local service for all your belting needs
www.ammeraalbeltech.com

Ammeraal Beltech Modular A/S
Hjulmagervej 21
DK-7100 Vejle

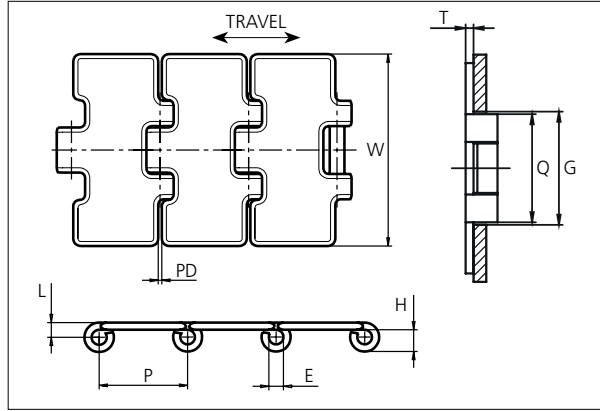
T +45 7572 3100
F +45 7572 3348
admin@unichains.com
www.unichains.com

This information is subject to alteration due to continuous development. Ammeraal Beltech will not be held liable for the incorrect use of the above stated information. This information replaces previous information. All activities performed and services rendered by Ammeraal Beltech are subject to general terms and conditions of sale and delivery, as applied by its operating companies.



Slat Top Steel Chain

Series **uni 810** Type **Single Hinge**



Slat Top Steel Chain
 Straight running chain
 Pitch: 38.1 mm (1.50 in)
 Backflex radius:
 150.0 mm (5.91 in)
 Standard shipping lengths:
 coils of 80 links
 = 3.048 m (10.0 ft)

STANDARD

E		G		H		L		P		Q		T		PD	
mm	in	mm	in	mm	in	mm	in	mm	in	mm	in	mm	in	mm	in
6.4	0.25	44.5	1.75	9.9	0.39	6.5	0.26	38.1	1.50	42.5	1.67	3.0	0.12	1.6	0.06

STRAIGHT RUNNING

	Width (W)		Weight		Permissible tensile strength N/lbf	Chain material	Pin material*	Surface	
	mm	in	kg/m	lb/ft				Roughness	Hardness
K225	57.1	2.25	2.18	1.46	4000 / 899	S1045 (Heat-treated Carbon Steel)	S1045 (Case-hardened Carbon Steel)	> 0.5 µm	43 HRC
K250	63.5	2.50	2.25	1.51					
K325	82.6	3.25	2.65	1.78					
K400	101.6	4.00	3.00	2.02					
K450	114.3	4.50	3.30	2.22					
K600	152.4	6.00	4.20	2.82					
K750	190.5	7.50	5.10	3.43					

PITCH 38.1 MM/1.50 IN

* Chains with special hardened pin (HP) for additional wear resistance and higher corrosion strength are made to order.



Sprocket

No. of teeth	Pitch diameter		Overall diameter		Min. ø bore		Max. ø bore		Hub diameter		Dimension A		Dimension B		Molded PA6 LG	Molded Cast Iron	Machined PA6 LG
	mm	in	mm	in	mm	in	mm	in	mm	in	mm	in	mm	in			
Z13	82.0	3.22	79.0	3.11	20	0.8	40	1.6	n/a	n/a	29.8	1.17	48.1	1.89		✓	
Z19	117.3	4.62	117.0	4.61	20	0.8	40	1.6	58	2.28	58.7	2.31	64.5	2.54	✓	✓	
Z21	129.2	5.09	130.0	5.12	20	0.8	40	1.6	58	2.28	65	2.56	70.5	2.78	✓	✓	
Z23	141.2	5.56	142.0	5.59	20	0.8	40	1.6	58	2.28	71.2	2.80	76.5	3.01	✓	✓	
Z25	153.2	6.03	155.0	6.10	20	0.8	40	1.6	58	2.28	77.4	3.05	82.5	3.25	✓	✓	
Z27	165.2	6.50	167.0	6.57	20	0.8	70	2.8	n/a	n/a	83.6	3.29	88.5	3.48		✓	✓
Z29	177.2	6.98	179.0	7.05	20	0.8	70	2.8	n/a	n/a	89.8	3.54	94.6	3.72		✓	✓
Z31	189.3	7.45	192.0	7.56	20	0.8	70	2.8	n/a	n/a	95.9	3.78	100.6	3.96		✓	✓

Two part sprocket

No. of teeth	Pitch diameter		Overall diameter		Min. ø bore		Max. ø bore		Hub diameter		Dimension A		Dimension B		Molded PA6 LG
	mm	in	mm	in	mm	in	mm	in	mm	in	mm	in	mm	in	
Z19	117.3	4.62	117.0	4.61	20.0	0.79	40.0	1.57	58.0	2.28	58.7	2.31	64.5	2.54	✓
Z21	129.2	5.09	130.0	5.12	20.0	0.79	40.0	1.57	58.0	2.28	65.0	2.56	70.5	2.78	✓
Z23	141.2	5.56	142.0	5.59	20.0	0.79	40.0	1.57	58.0	2.28	71.2	2.80	76.5	3.01	✓
Z25	153.2	6.03	155.0	6.10	20.0	0.79	40.0	1.57	58.0	2.28	77.4	3.05	82.5	3.25	✓

Molded sprocket



Cast iron sprocket



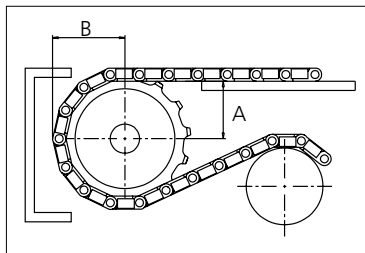
Machined sprocket



Two part sprocket



Non standard material and color:
See uni Material and Color Overview.



Please ensure that sufficient size shaft and keyway are chosen for corresponding load.

Other sprocket sizes are available upon request

Width of tooth: 42.3 mm/1.67 in

Width of sprocket: 42.3 mm/1.67 in

uni Retainer Rings: See uni Retainer Ring data sheet

uni Idler: See uni Idler data sheet

uni Guide Rings can be mounted on cast iron and machined sprockets. See uni Guide Rings data sheet



Conveyor Belts



Seamless Belts



Modular Belts



Timing Belts



Transmission Belts



Fabrication & service

Expert advice, quality solutions and local service for all your belting needs
www.ammeraalbeltech.com

Ammeraal Beltech Modular A/S
Hjulmagervej 21
DK-7100 Vejle

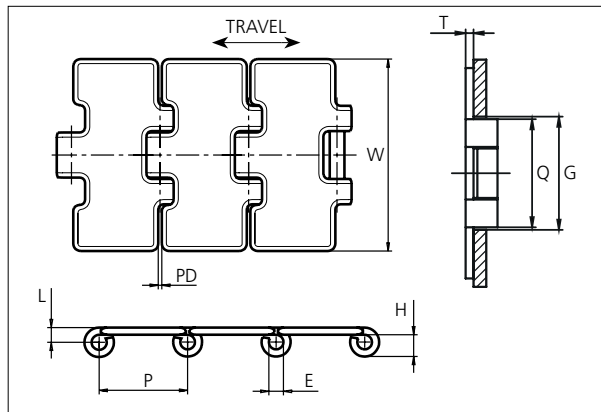
T +45 7572 3100
F +45 7572 3348
admin@unichains.com
www.unichains.com

This information is subject to alteration due to continuous development. Ammeraal Beltech will not be held liable for the incorrect use of the above stated information. This information replaces previous information. All activities performed and services rendered by Ammeraal Beltech are subject to general terms and conditions of sale and delivery, as applied by its operating companies.



Slat Top Stainless Steel Chain

Series **uni 812** Type **Single Hinge**



Slat Top Stainless Steel Chain

Straight running chain
Pitch: 38.1 mm (1.50 in)
Backflex radius:
150.0 mm (5.91 in)

Standard shipping lengths:
coils of 80 links
= 3.048 m (10.0 ft)

STANDARD

E		G		H		L		P		Q		T		PD	
mm	in	mm	in	mm	in	mm	in	mm	in	mm	in	mm	in	mm	in
6.4	0.25	44.5	1.75	9.9	0.39	6.5	0.26	38.1	1.50	42.5	1.67	3.0	0.12	1.6	0.06

STRAIGHT RUNNING

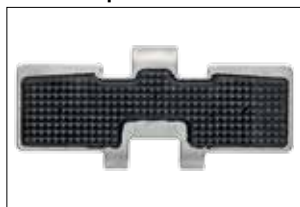
Width (W)		Weight		Permissible tensile strength N/lbf	Chain material	Pin material*	Surface	
mm	in	kg/m	lb/ft				Roughness	Hardness
K225	57.1	2.25	2.18	2250 / 506	ASI 430 (Work hardened ferritic stainless steel)	AISI 431 (Work hardened magnetic stainless steel)	< 0.5 μm	20 HRC
K250	63.5	2.50	2.25					
K325	82.6	3.25	2.65					
K400	101.6	4.00	3.00					
K450	114.3	4.50	3.30					
K600	152.4	6.00	4.20					
K750	190.5	7.50	5.10					

PITCH 38.1 MM/1.50 IN

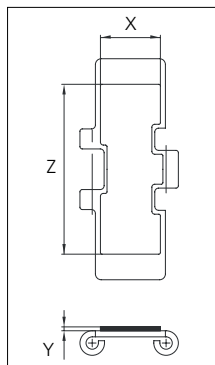
* Chains with special hardened pin (HP) for additional wear resistance and higher corrosion strength are made to order.

Accessories

Rubber Top



Non stock item. Contact Customer Service for delivery time.



Width	Rubber material	Z		X		Y	
		mm	in	mm	in	mm	in
K125	06 K	27.0	1.06	20.0	0.79	2.0	0.08
K325	06 K	77.0	3.03	30.0	1.18	2.0	0.08
K450	06 K	108.0	4.25	27.0	1.06	2.0	0.08
K600	06 K	146.0	5.75	30.0	1.18	2.0	0.08
K750	06 K	146.0	5.75	30.0	1.18	2.0	0.08



Sprocket

No. of teeth	Pitch diameter		Overall diameter		Min. ø bore		Max. ø bore		Hub diameter		Dimension A		Dimension B		Molded PA6 LG	Molded Cast Iron	Machined PA6 N
	mm	in	mm	in	mm	in	mm	in	mm	in	mm	in	mm	in			
Z13	82.0	3.22	79.0	3.11	20	0.8	40	1.6	n/a	n/a	29.8	1.17	48.1	1.89		✓	
Z19	117.3	4.62	117.0	4.61	20	0.8	40	1.6	58	2.28	58.7	2.31	64.5	2.54	✓	✓	
Z21	129.2	5.09	130.0	5.12	20	0.8	40	1.6	58	2.28	65	2.56	70.5	2.78	✓	✓	
Z23	141.2	5.56	142.0	5.59	20	0.8	40	1.6	58	2.28	71.2	2.80	76.5	3.01	✓	✓	
Z25	153.2	6.03	155.0	6.10	20	0.8	40	1.6	58	2.28	77.4	3.05	82.5	3.25	✓	✓	
Z27	165.2	6.50	167.0	6.57	20	0.8	70	2.8	n/a	n/a	83.6	3.29	88.5	3.48		✓	✓
Z29	177.2	6.98	179.0	7.05	20	0.8	70	2.8	n/a	n/a	89.8	3.54	94.6	3.72		✓	✓
Z31	189.3	7.45	192.0	7.56	20	0.8	70	2.8	n/a	n/a	95.9	3.78	100.6	3.96		✓	✓

Two part sprocket

No. of teeth	Pitch diameter		Overall diameter		Min. ø bore		Max. ø bore		Hub diameter		Dimension A		Dimension B		Molded PA6 LG	Molded Cast Iron	Machined PA6 N
	mm	in	mm	in	mm	in	mm	in	mm	in	mm	in	mm	in			
Z19	117.3	4.62	117.0	4.61	20.0	0.79	40.0	1.57	58.0	2.28	58.7	2.31	64.5	2.54	✓		
Z21	129.2	5.09	130.0	5.12	20.0	0.79	40.0	1.57	58.0	2.28	65.0	2.56	70.5	2.78	✓		
Z23	141.2	5.56	142.0	5.59	20.0	0.79	40.0	1.57	58.0	2.28	71.2	2.80	76.5	3.01	✓		
Z25	153.2	6.03	155.0	6.10	20.0	0.79	40.0	1.57	58.0	2.28	77.4	3.05	82.5	3.25	✓		

Molded sprocket



Cast iron sprocket



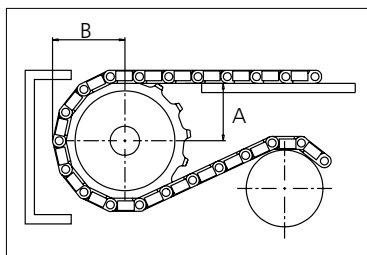
Machined sprocket



Two part sprocket



Non standard material and color:
See uni Material and Color Overview.



Please ensure that sufficient size shaft and keyway are chosen for corresponding load.

Other sprocket sizes are available upon request

Width of tooth: 42.3 mm/1.67 in

Width of sprocket: 42.3 mm/1.67 in

uni Retainer Rings: See uni Retainer Ring data sheet

uni Idler: See uni Idler data sheet

uni Guide Rings can be mounted on cast iron and machined sprockets. See uni Guide Rings data sheet



Conveyor Belts



Seamless Belts



Modular Belts



Timing Belts



Transmission Belts



Fabrication & service

Expert advice, quality solutions and local service for all your belting needs
www.ammeraalbeltech.com

Ammeraal Beltech Modular A/S
Hjulmagervej 21
DK-7100 Vejle

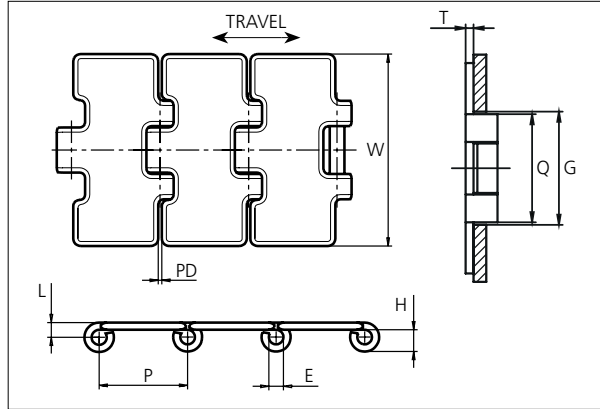
T +45 7572 3100
F +45 7572 3348
admin@unichains.com
www.unichains.com

This information is subject to alteration due to continuous development. Ammeraal Beltech will not be held liable for the incorrect use of the above stated information. This information replaces previous information. All activities performed and services rendered by Ammeraal Beltech are subject to general terms and conditions of sale and delivery, as applied by its operating companies.



Slat Top Stainless Steel Chain

Series **uni 815** Type **Single Hinge**



Slat Top Stainless Steel Chain

Straight running chain
Pitch: 38.1 mm (1.50 in)
Backflex radius:
150.0 mm (5.91 in)

Standard shipping lengths:
coils of 80 links
= 3.048 m (10.0 ft)

STANDARD

E		G		H		L		P		Q		T		PD	
mm	in	mm	in	mm	in	mm	in	mm	in	mm	in	mm	in	mm	in
6.4	0.25	44.5	1.75	9.9	0.39	6.5	0.26	38.1	1.50	42.5	1.67	3.0	0.12	1.6	0.06

STRAIGHT RUNNING

Width (W)		Weight		Permissible tensile strength N/lbf	Chain material	Pin material*	Surface		
mm	in	kg/m	lb/ft				Roughness	Hardness	
K250	63.5	2.50	2.25	2250 / 506	AISI 304 (Work hardened Crome-nickel 18/8 austenitic Stainless Steel)	AISI 304 (Work hardened Crome-nickel 18/8 austenitic Stainless Steel)	< 0.5 µm	26 HRC	
K325	82.6	3.25	2.65						1.78
K400	101.6	4.00	3.00						2.02
K450	114.3	4.50	3.30						2.22
K600	152.4	6.00	4.20						2.82
K750	190.5	7.50	5.10						3.43

PITCH 38.1 MM/1.50 IN

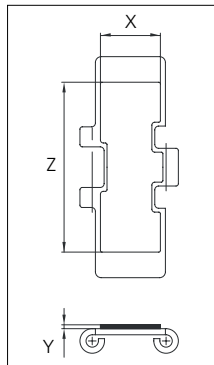
* Chains with special hardened pin (HP) for additional wear resistance and higher corrosion strength are made to order.

Accessories

Rubber Top



Non stock item. Contact Customer Service for delivery time.



Width	Rubber material	Z		X		Y	
		mm	in	mm	in	mm	in
K325	06 K	77.0	3.03	30.0	1.18	2.0	0.08
K450	06 K	108.0	4.25	27.0	1.06	2.0	0.08
K600	06 K	146.0	5.75	30.0	1.18	2.0	0.08
K750	06 K	146.0	5.75	30.0	1.18	2.0	0.08



Sprocket

No. of teeth	Pitch diameter		Overall diameter		Min. ø bore		Max. ø bore		Hub diameter		Dimension A		Dimension B		Molded PA6 LG	Molded Cast Iron	Machined PA6 N
	mm	in	mm	in	mm	in	mm	in	mm	in	mm	in	mm	in			
Z13	82.0	3.22	79.0	3.11	20	0.8	40	1.6	n/a	n/a	29.8	1.17	48.1	1.89		✓	
Z19	117.3	4.62	117.0	4.61	20	0.8	40	1.6	58	2.28	58.7	2.31	64.5	2.54	✓	✓	
Z21	129.2	5.09	130.0	5.12	20	0.8	40	1.6	58	2.28	65	2.56	70.5	2.78	✓	✓	
Z23	141.2	5.56	142.0	5.59	20	0.8	40	1.6	58	2.28	71.2	2.80	76.5	3.01	✓	✓	
Z25	153.2	6.03	155.0	6.10	20	0.8	40	1.6	58	2.28	77.4	3.05	82.5	3.25	✓	✓	
Z27	165.2	6.50	167.0	6.57	20	0.8	70	2.8	n/a	n/a	83.6	3.29	88.5	3.48		✓	✓
Z29	177.2	6.98	179.0	7.05	20	0.8	70	2.8	n/a	n/a	89.8	3.54	94.6	3.72		✓	✓
Z31	189.3	7.45	192.0	7.56	20	0.8	70	2.8	n/a	n/a	95.9	3.78	100.6	3.96		✓	✓

Two part sprocket

No. of teeth	Pitch diameter		Overall diameter		Min. ø bore		Max. ø bore		Hub diameter		Dimension A		Dimension B		Molded PA6 LG
	mm	in	mm	in	mm	in	mm	in	mm	in	mm	in	mm	in	
Z19	117.3	4.62	117.0	4.61	20.0	0.79	40.0	1.57	58.0	2.28	58.7	2.31	64.5	2.54	✓
Z21	129.2	5.09	130.0	5.12	20.0	0.79	40.0	1.57	58.0	2.28	65.0	2.56	70.5	2.78	✓
Z23	141.2	5.56	142.0	5.59	20.0	0.79	40.0	1.57	58.0	2.28	71.2	2.80	76.5	3.01	✓
Z25	153.2	6.03	155.0	6.10	20.0	0.79	40.0	1.57	58.0	2.28	77.4	3.05	82.5	3.25	✓

Molded sprocket



Cast iron sprocket



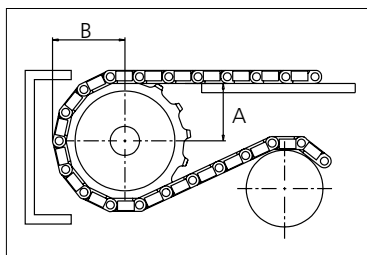
Machined sprocket



Two part sprocket



Non standard material and color:
See uni Material and Color Overview.



Please ensure that sufficient size shaft and keyway are chosen for corresponding load.

Other sprocket sizes are available upon request

Width of tooth: 42.3 mm/1.67 in

Width of sprocket: 42.3 mm/1.67 in

uni Retainer Rings: See uni Retainer Ring data sheet

uni Idler: See uni Idler data sheet

uni Guide Rings can be mounted on cast iron and machined sprockets. See uni Guide Rings data sheet



Conveyor Belts



Seamless Belts



Modular Belts



Timing Belts



Transmission Belts



Fabrication & service

Expert advice, quality solutions and local service for all your belting needs
www.ammeraalbeltech.com

Ammeraal Beltech Modular A/S
Hjulmagervej 21
DK-7100 Vejle

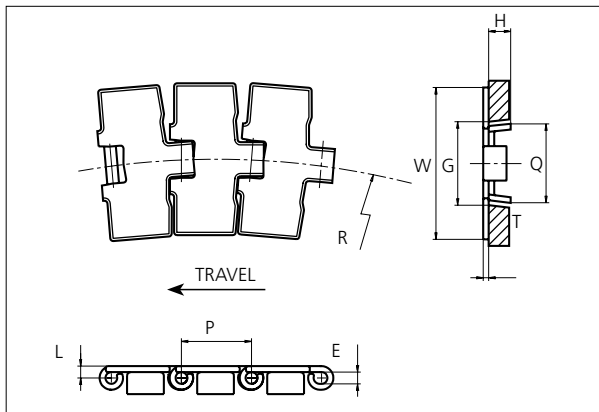
T +45 7572 3100
F +45 7572 3348
admin@unichains.com
www.unichains.com

This information is subject to alteration due to continuous development. Ammeraal Beltech will not be held liable for the incorrect use of the above stated information. This information replaces previous information. All activities performed and services rendered by Ammeraal Beltech are subject to general terms and conditions of sale and delivery, as applied by its operating companies.



Slat Top Stainless Steel Chain

Series **uni 881** Type **Bevel**



Slat Top Stainless Steel Chain

Side flexing chain
Pitch: 38.1 mm (1.50 in)
Backflex radius:
76.2 mm (3.00 in)

Standard shipping lengths:
coils of 80 links
= 3.048 m (10.0 ft)

E		G*		G**		H		L		P		Q		T	
mm	in	mm	in	mm	in	mm	in	mm	in	mm	in	mm	in	mm	in
6.4	0.25	41.3	1.63	46.6	1.83	11.2	0.44	6.5	0.26	38.1	1.50	43.0	1.69	3.0	0.12

*Curve, ** Straight

	Width (W)		Min. radius (R)		Weight		Permissible tensile strength N/lbf	Chain material	Pin material*	Surface	
	mm	in	mm	in	kg/m	lb/ft				Roughness	Hardness
K325	82.6	3.25	457	17.99	2.90	1.95	2250 / 506	AISI 430 (Work hardened ferritic Stainless Steel)	AISI 431 (Work hardened magnetic Stainless Steel)	< 0.5 µm	20 HRC
K450	114.3	4.50	500	19.69	3.60	2.42					
K750	190.5	7.50	500	19.69	5.30	3.56					

* Chains with special hardened pin (HP) for additional wear resistance and higher corrosion strength are made to order.

NON STANDARD

SIDE FLEXING

PITCH 38.1 MM/1.50 IN



Sprocket

No of teeth	Pitch diameter		Overall-diameter		Min. ø bore		Max. ø bore		Hub-diameter		A-dimension		B-dimension		Molded PA6 LG	Molded Cast Iron	Machined PA6
	mm	in	mm	in	mm	in	mm	in	mm	in	mm	in	mm	in			
Z19	117.3	4.62	117.0	4.61	20.0	0.79	40.0	1.57	58.0	2.28	58.7	2.31	64.5	2.54	✓	✓	
Z21	129.2	5.09	130.0	5.12	20.0	0.79	40.0	1.57	58.0	2.28	65.0	2.56	70.5	2.78	✓	✓	
Z23	141.2	5.56	142.0	5.59	20.0	0.79	40.0	1.57	58.0	2.28	71.2	2.80	76.5	3.01	✓	✓	
Z25	153.2	6.03	155.0	6.10	20.0	0.79	40.0	1.57	58.0	2.28	77.4	3.05	82.5	3.25	✓	✓	
Z27	165.2	6.50	167.0	6.57	20.0	0.79	70.0	2.76	n/a	n/a	83.6	3.29	88.5	3.48		✓	✓
Z29	177.2	6.98	179.0	7.05	20.0	0.79	70.0	2.76	n/a	n/a	89.8	3.54	94.6	3.72		✓	✓
Z31	189.3	7.45	192.0	7.56	20.0	0.79	70.0	2.76	n/a	n/a	95.9	3.78	100.6	3.96		✓	✓

Two part sprocket

No of teeth	Pitch diameter		Overall-diameter		Min. ø bore		Max. ø bore		Hub-diameter		A-dimension		B-dimension		Molded PA6 LG
	mm	in	mm	in	mm	in	mm	in	mm	in	mm	in	mm	in	
Z19	117.3	4.62	117.0	4.61	20.0	0.79	40.0	1.57	58.0	2.28	58.7	2.31	64.5	2.54	✓
Z21	129.2	5.09	130.0	5.12	20.0	0.79	40.0	1.57	58.0	2.28	65.0	2.56	70.5	2.78	✓
Z23	141.2	5.56	142.0	5.59	20.0	0.79	40.0	1.57	58.0	2.28	71.2	2.80	76.5	3.01	✓
Z25	153.2	6.03	155.0	6.10	20.0	0.79	40.0	1.57	58.0	2.28	77.4	3.05	82.5	3.25	✓

Molded sprocket



Cast iron sprocket



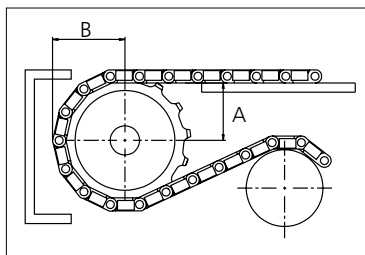
Machined sprocket



Two part sprocket



Non standard material and color:
See uni Material and Color Overview.



Please ensure that sufficient size shaft and keyway are chosen for corresponding load.

Other sprocket sizes are available upon request

Width of tooth: 31.8 mm/1.25 in

Width of sprocket: 42.3 mm/1.67 in

uni Retainer Rings: See uni Retainer Ring data sheet

uni Guide Rings can be mounted on cast iron and machined sprockets. See uni Guide Rings data sheet



Expert advice, quality solutions and local service for all your belting needs
www.ammeraalbeltech.com

Ammeraal Beltech Modular A/S
Hjulmagervej 21
DK-7100 Vejle

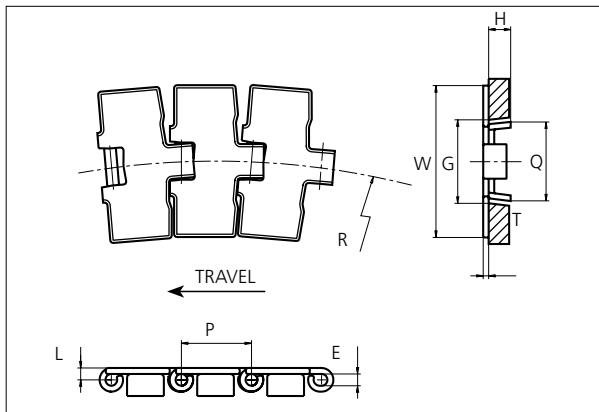
T +45 7572 3100
F +45 7572 3348
admin@unichains.com
www.unichains.com

This information is subject to alteration due to continuous development. Ammeraal Beltech will not be held liable for the incorrect use of the above stated information. This information replaces previous information. All activities performed and services rendered by Ammeraal Beltech are subject to general terms and conditions of sale and delivery, as applied by its operating companies.



Slat Top Stainless Steel Chain

Series **uni 881** Type **Bevel**



Slat Top Stainless Steel Chain
 Side flexing chain
 Pitch: 38.1 mm (1.50 in)
 Backflex radius:
 76.2 mm (3.00 in)
 Standard shipping lengths:
 coils of 80 links
 = 3.048 m (10.0 ft)

NON STANDARD

E		G*		G**		H		L		P		Q		T	
mm	in	mm	in	mm	in	mm	in	mm	in	mm	in	mm	in	mm	in
6.4	0.25	41.3	1.63	46.6	1.83	11.2	0.44	6.5	0.26	38.1	1.50	43.0	1.69	3.0	0.12

*Curve, ** Straight

	Width (W)		Min. radius (R)		Weight		Permissible tensile strength N/lbf	Chain material	Pin material*	Surface	
	mm	in	mm	in	kg/m	lb/ft				Roughness	Hardness
K325	82.6	3.25	457	17.99	2.90	1.95	2250 / 506	AISI 304 (Work hardened Crome-nockel 18/8 austenitic Stainless Steel)	AISI 304 (Work hardened Crome-nockel 18/8 austenitic Stainless Steel)	< 0.5 µm	26 HRC
K450	114.3	4.50	500	19.69	3.60	2.42					
K750	190.5	7.50	500	19.69	5.30	3.56					

* Chains with special hardened pin (HP) for additional wear resistance and higher corrosion strength are made to order.

SIDE FLEXING

PITCH 38.1 MM/1.50 IN



Sprocket

No of teeth	Pitch diameter		Overall-diameter		Min. ø bore		Max. ø bore		Hub-diameter		A-dimension		B-dimension		Molded PA6 LG	Molded Cast Iron	Machined PA6
	mm	in	mm	in	mm	in	mm	in	mm	in	mm	in	mm	in	✓	✓	✓
Z19	117.3	4.62	117.0	4.61	20.0	0.79	40.0	1.57	58.0	2.28	58.7	2.31	64.5	2.54	✓	✓	
Z21	129.2	5.09	130.0	5.12	20.0	0.79	40.0	1.57	58.0	2.28	65.0	2.56	70.5	2.78	✓	✓	
Z23	141.2	5.56	142.0	5.59	20.0	0.79	40.0	1.57	58.0	2.28	71.2	2.80	76.5	3.01	✓	✓	
Z25	153.2	6.03	155.0	6.10	20.0	0.79	40.0	1.57	58.0	2.28	77.4	3.05	82.5	3.25	✓	✓	
Z27	165.2	6.50	167.0	6.57	20.0	0.79	70.0	2.76	n/a	n/a	83.6	3.29	88.5	3.48		✓	✓
Z29	177.2	6.98	179.0	7.05	20.0	0.79	70.0	2.76	n/a	n/a	89.8	3.54	94.6	3.72		✓	✓
Z31	189.3	7.45	192.0	7.56	20.0	0.79	70.0	2.76	n/a	n/a	95.9	3.78	100.6	3.96		✓	✓

Two part sprocket

No of teeth	Pitch diameter		Overall-diameter		Min. ø bore		Max. ø bore		Hub-diameter		A-dimension		B-dimension		Molded PA6 LG
	mm	in	mm	in	mm	in	mm	in	mm	in	mm	in	mm	in	✓
Z19	117.3	4.62	117.0	4.61	20.0	0.79	40.0	1.57	58.0	2.28	58.7	2.31	64.5	2.54	✓
Z21	129.2	5.09	130.0	5.12	20.0	0.79	40.0	1.57	58.0	2.28	65.0	2.56	70.5	2.78	✓
Z23	141.2	5.56	142.0	5.59	20.0	0.79	40.0	1.57	58.0	2.28	71.2	2.80	76.5	3.01	✓
Z25	153.2	6.03	155.0	6.10	20.0	0.79	40.0	1.57	58.0	2.28	77.4	3.05	82.5	3.25	✓

Molded sprocket



Cast iron sprocket



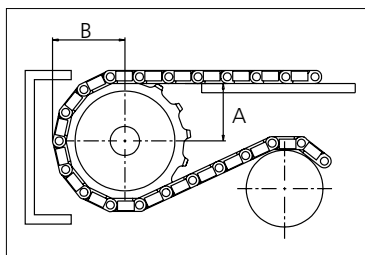
Machined sprocket



Two part sprocket



Non standard material and color:
See uni Material and Color Overview.



Please ensure that sufficient size shaft and keyway are chosen for corresponding load.

Other sprocket sizes are available upon request

Width of tooth: 31.8 mm/1.25 in

Width of sprocket: 42.3 mm/1.67 in

uni Retainer Rings: See uni Retainer Ring data sheet

uni Guide Rings can be mounted on cast iron and machined sprockets. See uni Guide Rings data sheet



Conveyor Belts



Seamless Belts



Modular Belts



Timing Belts



Transmission Belts



Fabrication & service

Expert advice, quality solutions and local service for all your belting needs
www.ammeraalbeltech.com

Ammeraal Beltech Modular A/S
Hjulmagervej 21
DK-7100 Vejle

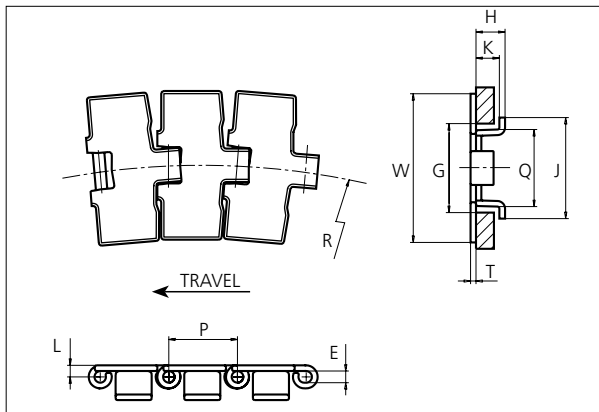
T +45 7572 3100
F +45 7572 3348
admin@unichains.com
www.unichains.com

This information is subject to alteration due to continuous development. Ammeraal Beltech will not be held liable for the incorrect use of the above stated information. This information replaces previous information. All activities performed and services rendered by Ammeraal Beltech are subject to general terms and conditions of sale and delivery, as applied by its operating companies.



Slat Top Steel Chain

Series **uni 881** Type **Tab**



Slat Top Steel Chain
 Side flexing chain
 Pitch: 38.1 mm (1.50 in)
 Backflex radius:
 76.2 mm (3.00 in)
 Standard shipping lengths:
 coils of 80 links
 = 3.048 m (10.0 ft)

STANDARD

E		G		H		J		K		L		P		Q		T	
mm	in	mm	in	mm	in	mm	in	mm	in	mm	in	mm	in	mm	in	mm	in
6.4	0.25	44.5	1.75	16.3	0.64	56.2	2.21	12.7	0.50	6.5	0.26	38.1	1.50	43.0	1.69	3.0	0.12

SIDE FLEXING

	Width (W)		Min. radius (R)		Weight		Permissible tensile strength N/lbf	Chain material	Pin material*	Surface	
	mm	in	mm	in	kg/m	lb/ft				Roughness	Hardness
K325	82.6	3.25	457	17.99	2.90	1.95	4000 / 899	S1045 (Heat-treated Carbon Steel)	S1045 (Case-hardened Carbon Steel)	< 0.5 µm	43 HRC
K450	114.3	4.50	500	19.69	3.60	2.42					
K750	190.5	7.50	500	19.69	5.30	3.56					

* Chains with special hardened pin (HP) for additional wear resistance and higher corrosion strength are made to order.

PITCH 38.1 MM/1.50 IN



Sprocket

No of teeth	Pitch diameter		Overall-diameter		Min. ø bore		Max. ø bore		Hub-diameter		Dimension A		Dimension B		Molded PA6 LG	Molded Cast Iron	Machined PA6
	mm	in	mm	in	mm	in	mm	in	mm	in	mm	in	mm	in	✓	✓	✓
Z19	117.3	4.62	117.0	4.61	20.0	0.79	40.0	1.57	58.0	2.28	58.7	2.31	64.5	2.54	✓	✓	
Z21	129.2	5.09	130.0	5.12	20.0	0.79	40.0	1.57	58.0	2.28	65.0	2.56	70.5	2.78	✓	✓	
Z23	141.2	5.56	142.0	5.59	20.0	0.79	40.0	1.57	58.0	2.28	71.2	2.80	76.5	3.01	✓	✓	
Z25	153.2	6.03	155.0	6.10	20.0	0.79	40.0	1.57	58.0	2.28	77.4	3.05	82.5	3.25	✓	✓	
Z27	165.2	6.50	167.0	6.57	20.0	0.79	70.0	2.76	n/a	n/a	83.6	3.29	88.5	3.48		✓	✓
Z29	177.2	6.98	179.0	7.05	20.0	0.79	70.0	2.76	n/a	n/a	89.8	3.54	94.6	3.72		✓	✓
Z31	189.3	7.45	192.0	7.56	20.0	0.79	70.0	2.76	n/a	n/a	95.9	3.78	100.6	3.96		✓	✓

Two part sprocket

No of teeth	Pitch diameter		Overall-diameter		Min. ø bore		Max. ø bore		Hub-diameter		Dimension A		Dimension B		Molded PA6 LG
	mm	in	mm	in	mm	in	mm	in	mm	in	mm	in	mm	in	✓
Z19	117.3	4.62	117.0	4.61	20.0	0.79	40.0	1.57	58.0	2.28	58.7	2.31	64.5	2.54	✓
Z21	129.2	5.09	130.0	5.12	20.0	0.79	40.0	1.57	58.0	2.28	65.0	2.56	70.5	2.78	✓
Z23	141.2	5.56	142.0	5.59	20.0	0.79	40.0	1.57	58.0	2.28	71.2	2.80	76.5	3.01	✓
Z25	153.2	6.03	155.0	6.10	20.0	0.79	40.0	1.57	58.0	2.28	77.4	3.05	82.5	3.25	✓

Molded sprocket



Cast iron sprocket



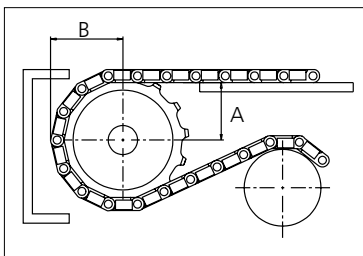
Machined sprocket



Two part sprocket



Non standard material and color:
See uni Material and Color Overview.



Please ensure that sufficient size shaft and keyway are chosen for corresponding load.

Other sprocket sizes are available upon request

Width of tooth: 31.8 mm/1.25 in

Width of sprocket: 42.3 mm/1.67 in

uni Retainer Rings: See uni Retainer Ring data sheet

uni Idler: See uni Idler data sheet

uni Guide Rings can be mounted on cast iron and machined sprockets. See uni Guide Rings data sheet.



Expert advice, quality solutions and local service for all your belting needs
www.ammeraalbeltech.com

Ammeraal Beltech Modular A/S
Hjulmagervej 21
DK-7100 Vejle

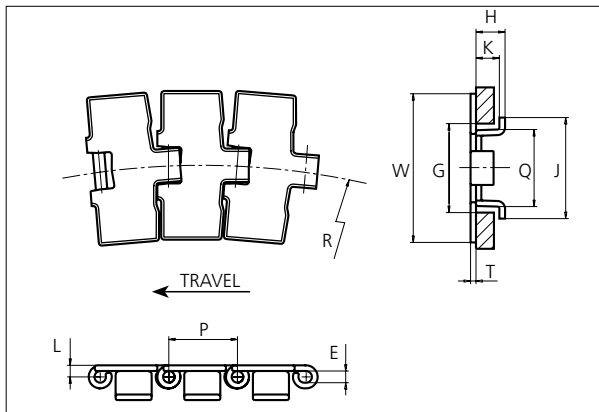
T +45 7572 3100
F +45 7572 3348
admin@unichains.com
www.unichains.com

This information is subject to alteration due to continuous development. Ammeraal Beltech will not be held liable for the incorrect use of the above stated information. This information replaces previous information. All activities performed and services rendered by Ammeraal Beltech are subject to general terms and conditions of sale and delivery, as applied by its operating companies.



Slat Top Stainless Steel Chain

Series **uni 881** Type **Tab**



Slat Top Stainless Steel Chain

Side flexing chain
Pitch: 38.1 mm (1.50 in)
Backflex radius:
76.2 mm (3.00 in)

Standard shipping lengths:
coils of 80 links
= 3.048 m (10.0 ft)

STANDARD

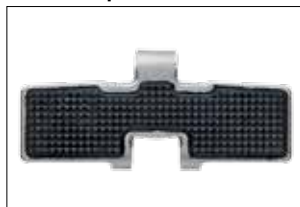
E		G		H		J		K		L		P		Q		T	
mm	in	mm	in	mm	in	mm	in	mm	in	mm	in	mm	in	mm	in	mm	in
6.4	0.25	44.5	1.75	16.3	0.64	56.2	2.21	12.7	0.50	6.5	0.26	38.1	1.50	43.0	1.69	3.0	0.12

	Width (W)		Min. radius (R)		Weight		Permissible tensile strength N/lbf	Chain material	Pin material*	Surface	
	mm	in	mm	in	kg/m	lb/ft				Roughness	Hardness
K325	82.6	3.25	190	7.68	2.90	1.95	2250 / 506	AISI 430 (Work hardened ferritic Stainless Steel)	AISI 431 (Work hardened magnetic Stainless Steel)	< 0.5 µm	20 HRC
			457	18.00							
K450	114.3	4.50	500	19.69	3.60	2.42					
K750	190.5	7.50	500	19.69	5.30	3.56					

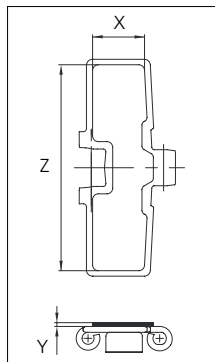
* Chains with special hardened pin (HP) for additional wear resistance and higher corrosion strength are made to order.

Accessories

Rubber Top



Non stock item. Contact Customer Service for delivery time.



Width	Rubber material	Z		X		Y	
		mm	in	mm	in	mm	in
K325	06 K	77.0	3.03	28.0	1.10	2.0	0.08
K450	06 K	108.0	4.25	27.0	1.06	2.0	0.08
K750	06 K	184.0	7.24	26.0	1.02	2.0	0.08

SIDE FLEXING

PITCH 38.1 MM/1.50 IN



Sprocket

No of teeth	Pitch diameter		Overall-diameter		Min. ø bore		Max. ø bore		Hub-diameter		Dimension A		Dimension B		Molded PA6 LG	Molded Cast Iron	Machined PA6
	mm	in	mm	in	mm	in	mm	in	mm	in	mm	in	mm	in			
Z19	117.3	4.62	117.0	4.61	20.0	0.79	40.0	1.57	58.0	2.28	58.7	2.31	64.5	2.54	✓	✓	
Z21	129.2	5.09	130.0	5.12	20.0	0.79	40.0	1.57	58.0	2.28	65.0	2.56	70.5	2.78	✓	✓	
Z23	141.2	5.56	142.0	5.59	20.0	0.79	40.0	1.57	58.0	2.28	71.2	2.80	76.5	3.01	✓	✓	
Z25	153.2	6.03	155.0	6.10	20.0	0.79	40.0	1.57	58.0	2.28	77.4	3.05	82.5	3.25	✓	✓	
Z27	165.2	6.50	167.0	6.57	20.0	0.79	70.0	2.76	n/a	n/a	83.6	3.29	88.5	3.48		✓	✓
Z29	177.2	6.98	179.0	7.05	20.0	0.79	70.0	2.76	n/a	n/a	89.8	3.54	94.6	3.72		✓	✓
Z31	189.3	7.45	192.0	7.56	20.0	0.79	70.0	2.76	n/a	n/a	95.9	3.78	100.6	3.96		✓	✓

Two part sprocket

No of teeth	Pitch diameter		Overall-diameter		Min. ø bore		Max. ø bore		Hub-diameter		Dimension A		Dimension B		Molded PA6 LG
	mm	in	mm	in	mm	in	mm	in	mm	in	mm	in	mm	in	
Z19	117.3	4.62	117.0	4.61	20.0	0.79	40.0	1.57	58.0	2.28	58.7	2.31	64.5	2.54	✓
Z21	129.2	5.09	130.0	5.12	20.0	0.79	40.0	1.57	58.0	2.28	65.0	2.56	70.5	2.78	✓
Z23	141.2	5.56	142.0	5.59	20.0	0.79	40.0	1.57	58.0	2.28	71.2	2.80	76.5	3.01	✓
Z25	153.2	6.03	155.0	6.10	20.0	0.79	40.0	1.57	58.0	2.28	77.4	3.05	82.5	3.25	✓

Molded sprocket



Cast iron sprocket



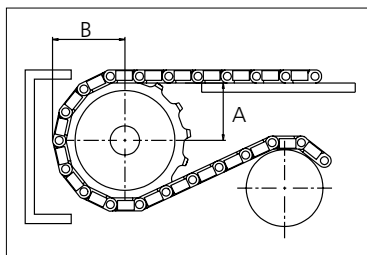
Machined sprocket



Two part sprocket



Non standard material and color:
See uni Material and Color Overview.



Please ensure that sufficient size shaft and keyway are chosen for corresponding load.

Other sprocket sizes are available upon request

Width of tooth: 31.8 mm/1.25 in

Width of sprocket: 42.3 mm/1.67 in

uni Retainer Rings: See uni Retainer Ring data sheet

uni Idler: See uni Idler data sheet

uni Guide Rings can be mounted on cast iron and machined sprockets. See uni Guide Rings data sheet



Expert advice, quality solutions and local service for all your belting needs
www.ammeraalbeltech.com

Ammeraal Beltech Modular A/S
Hjulmagervej 21
DK-7100 Vejle

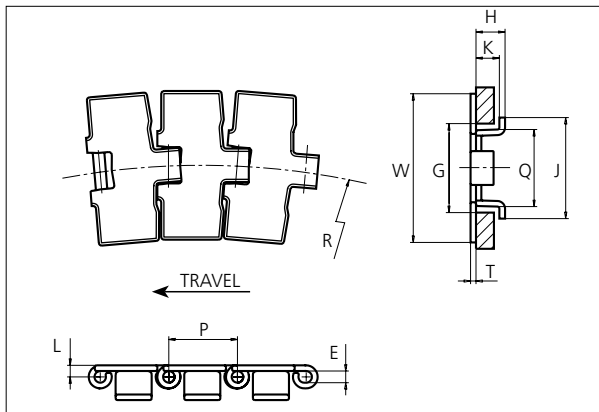
T +45 7572 3100
F +45 7572 3348
admin@unichains.com
www.unichains.com

This information is subject to alteration due to continuous development. Ammeraal Beltech will not be held liable for the incorrect use of the above stated information. This information replaces previous information. All activities performed and services rendered by Ammeraal Beltech are subject to general terms and conditions of sale and delivery, as applied by its operating companies.



Slat Top Stainless Steel Chain

Series **uni 881** Type **Tab**



Slat Top Stainless Steel Chain

Side flexing chain
Pitch: 38.1 mm (1.50 in)
Backflex radius:
76.2 mm (3.00 in)

Standard shipping lengths:
coils of 80 links
= 3.048 m (10.0 ft)

STANDARD

E		G		H		J		K		L		P		Q		T	
mm	in	mm	in	mm	in	mm	in	mm	in	mm	in	mm	in	mm	in	mm	in
6.4	0.25	44.5	1.75	16.3	0.64	56.2	2.21	12.7	0.50	6.5	0.26	38.1	1.50	43.0	1.69	3.0	0.12

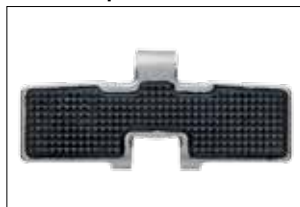
	Width (W)		Min. radius (R)		Weight		Permissible tensile strength N/lbf	Chain material	Pin material*	Surface	
	mm	in	mm	in	kg/m	lb/ft				Roughness	Hardness
K325	82.6	3.25	457	17.99	2.90	1.95	2250 / 506	AISI 304 (Work hardened Crome-nickel 18/8 austenitic Stainless Steel)	AISI 304 (Work hardened Crome-nickel 18/8 austenitic Stainless Steel)	< 0.5 µm	26 HRC
K450	114.3	4.50	500	19.69	3.60	2.42					
K750	190.5	7.50	500	19.69	5.30	3.56					

SIDE FLEXING

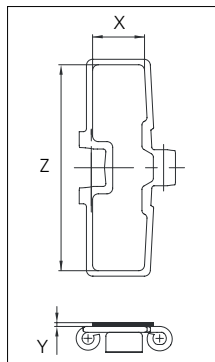
* Chains with special hardened pin (HP) for additional wear resistance and higher corrosion strength are made to order.

Accessories

Rubber Top



Non stock item. Contact Customer Service for delivery time.



Width	Rubber material	Z		X		Y	
		mm	in	mm	in	mm	in
K325	06 K	77.0	3.03	28.0	1.10	2.0	0.08
K450	06 K	108.0	4.25	27.0	1.06	2.0	0.08
K750	06 K	184.0	7.24	26.0	1.02	2.0	0.08

PITCH 38.1 MM/1.50 IN



Sprocket

No of teeth	Pitch diameter		Overall-diameter		Min. ø bore		Max. ø bore		Hub-diameter		Dimension A		Dimension B		Molded PA6 LG	Molded Cast Iron	Machined PA6
	mm	in	mm	in	mm	in	mm	in	mm	in	mm	in	mm	in			
Z19	117.3	4.62	117.0	4.61	20.0	0.79	40.0	1.57	58.0	2.28	58.7	2.31	64.5	2.54	✓	✓	
Z21	129.2	5.09	130.0	5.12	20.0	0.79	40.0	1.57	58.0	2.28	65.0	2.56	70.5	2.78	✓	✓	
Z23	141.2	5.56	142.0	5.59	20.0	0.79	40.0	1.57	58.0	2.28	71.2	2.80	76.5	3.01	✓	✓	
Z25	153.2	6.03	155.0	6.10	20.0	0.79	40.0	1.57	58.0	2.28	77.4	3.05	82.5	3.25	✓	✓	
Z27	165.2	6.50	167.0	6.57	20.0	0.79	70.0	2.76	n/a	n/a	83.6	3.29	88.5	3.48		✓	✓
Z29	177.2	6.98	179.0	7.05	20.0	0.79	70.0	2.76	n/a	n/a	89.8	3.54	94.6	3.72		✓	✓
Z31	189.3	7.45	192.0	7.56	20.0	0.79	70.0	2.76	n/a	n/a	95.9	3.78	100.6	3.96		✓	✓

Two part sprocket

No of teeth	Pitch diameter		Overall-diameter		Min. ø bore		Max. ø bore		Hub-diameter		Dimension A		Dimension B		Molded PA6 LG
	mm	in	mm	in	mm	in	mm	in	mm	in	mm	in	mm	in	
Z19	117.3	4.62	117.0	4.61	20.0	0.79	40.0	1.57	58.0	2.28	58.7	2.31	64.5	2.54	✓
Z21	129.2	5.09	130.0	5.12	20.0	0.79	40.0	1.57	58.0	2.28	65.0	2.56	70.5	2.78	✓
Z23	141.2	5.56	142.0	5.59	20.0	0.79	40.0	1.57	58.0	2.28	71.2	2.80	76.5	3.01	✓
Z25	153.2	6.03	155.0	6.10	20.0	0.79	40.0	1.57	58.0	2.28	77.4	3.05	82.5	3.25	✓

Molded sprocket



Cast iron sprocket



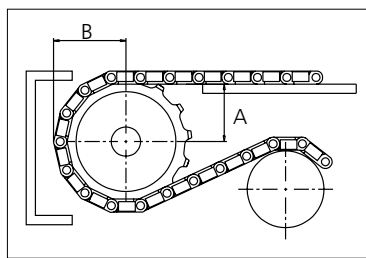
Machined sprocket



Two part sprocket



Non standard material and color:
See uni Material and Color Overview.



Please ensure that sufficient size shaft and keyway are chosen for corresponding load.

Other sprocket sizes are available upon request

Width of tooth: 31.8 mm/1.25 in

Width of sprocket: 42.3 mm/1.67 in

uni Retainer Rings: See uni Retainer Ring data sheet

uni Idler: See uni Idler data sheet

uni Guide Rings can be mounted on cast iron and machined sprockets. See uni Guide Rings data sheet



Conveyor Belts



Seamless Belts



Modular Belts



Timing Belts



Transmission Belts



Fabrication & service

Expert advice, quality solutions and local service for all your belting needs
www.ammeraalbeltech.com

Ammeraal Beltech Modular A/S
Hjulmagervej 21
DK-7100 Vejle

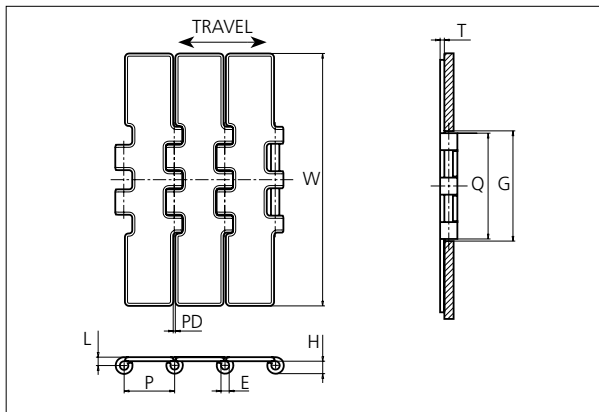
T +45 7572 3100
F +45 7572 3348
admin@unichains.com
www.unichains.com

This information is subject to alteration due to continuous development. Ammeraal Beltech will not be held liable for the incorrect use of the above stated information. This information replaces previous information. All activities performed and services rendered by Ammeraal Beltech are subject to general terms and conditions of sale and delivery, as applied by its operating companies.



Slat Top Stainless Steel Chain

Series **uni 805** Type **Double Hinge**



Slat Top Stainless Steel Chain
 Straight running chain
 Pitch: 38.1 mm (1.50 in)
 Backflex radius: 150.0 mm (5.91 in)

Standard shipping lengths:
 coils of 80 in
 = 3.048 m (10 ft)

NON STANDARD

E		G		H		L		P		Q		T		PD	
mm	in	mm	in	mm	in	mm	in	mm	in	mm	in	mm	in	mm	in
6.4	0.25	82.5	3.25	9.9	0.39	6.5	0.26	38.1	1.50	80.5	3.17	3.0	0.12	1.6	0.06

STRAIGHT RUNNING

	Width (W)		Weight		Permissible tensile strength N/lbf	Chain material	Pin material*	Surface	
	mm	in	kg/m	lb/ft				Roughness	Hardness
K750	190.5	7.50	5.80	3.90	3500 / 787	AISI 304 (Work hardened Crome-nickel 18/8 austenitic Stainless Steel)	AISI 304 (Work hardened Crome-nickel 18/8 austenitic Stainless Steel)	< 0.5 µm	26 HRC

PITCH 38.1 MM/1.50 IN

* Chains with special hardened pin (HP) for additional wear resistance and higher corrosion strength are made to order.



Sprocket

No. of teeth	Pitch diameter		Overall diameter		Min. ø bore		Max. ø bore		Hub diameter		Dimension A		Dimension B		Molded Cast Iron	Machined PA6
	mm	in	mm	in	mm	in	mm	in	mm	in	mm	in	mm	in		
Z19	117.3	4.62	117.0	4.61	20.0	0.79	70.0	2.76	0	0	58.7	2.31	64.5	2.54	✓	✓
Z21	129.2	5.09	130.0	5.12	20.0	0.79	70.0	2.76	0	0	65.0	2.56	70.5	2.78	✓	✓
Z23	141.2	5.56	142.0	5.59	20.0	0.79	70.0	2.76	0	0	71.2	2.80	76.5	3.01	✓	✓
Z25	153.2	6.03	155.0	6.10	20.0	0.79	70.0	2.76	0	0	77.4	3.05	82.5	3.25	✓	✓
Z27	165.2	6.50	167.0	6.57	20.0	0.79	100.0	3.93	0	0	83.6	3.29	88.5	3.48	✓	✓
Z29	177.2	6.98	179.0	7.05	20.0	0.79	110.0	4.33	0	0	89.8	3.54	94.6	3.72	✓	✓
Z31	189.3	7.45	192.0	7.56	20.0	0.79	120.0	4.72	0	0	95.9	3.78	100.6	3.96	✓	✓

Two part sprocket

No. of teeth	Pitch diameter		Overall diameter		Min. ø bore		Max. ø bore		Hub diameter		Dimension A		Dimension B		Molded PA6 LG
	mm	in	mm	in	mm	in	mm	in	mm	in	mm	in	mm	in	
Z25	153.2	6.03	155.0	6.10	30.0	1.18	40.0	1.57	58.0	2.28	77.4	3.05	82.5	3.25	✓

Non standard material and color:
See uni Material and Color Overview.

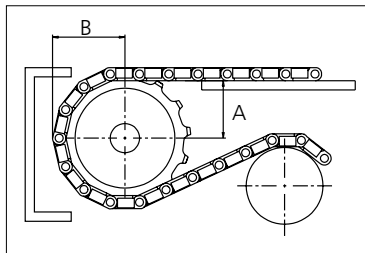
Cast iron sprocket



Machined sprocket



Molded two part sprocket



Please ensure that sufficient size shaft and keyway are chosen for corresponding load.

Other sprocket sizes are available upon request

Width of tooth: 79.4 mm/3.13 in

Width of sprocket: 79.4 mm/3.13 in

uni Retainer Rings: See uni Retainer Ring data sheet

uni Idler: See uni Idler data sheet

uni Guide Rings can be mounted on cast iron and machined sprockets. See uni Guide Rings data sheet



Conveyor Belts



Seamless Belts



Modular Belts



Timing Belts



Transmission Belts



Fabrication & service

Expert advice, quality solutions and local service for all your belting needs
www.ammeraalbeltech.com

Ammeraal Beltech Modular A/S
Hjulmagervej 21
DK-7100 Vejle

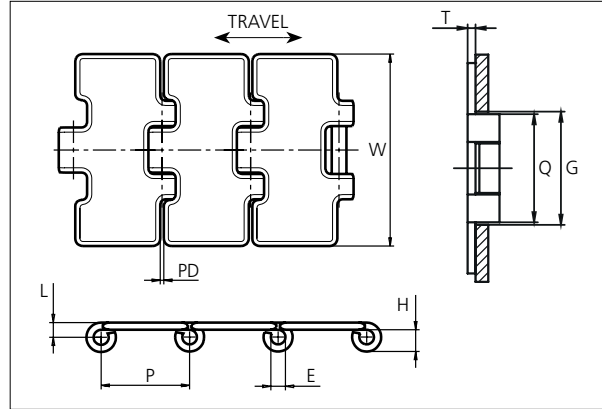
T +45 7572 3100
F +45 7572 3348
admin@unichains.com
www.unichains.com

This information is subject to alteration due to continuous development. Ammeraal Beltech will not be held liable for the incorrect use of the above stated information. This information replaces previous information. All activities performed and services rendered by Ammeraal Beltech are subject to general terms and conditions of sale and delivery, as applied by its operating companies.



Slat Top Steel Chain

Series **uni 810** Type **Single Hinge**



Slat Top Steel Chain
 Straight running chain
 Pitch: 38.1 mm (1.50 in)
 Backflex radius:
 150.0 mm (5.91 in)
 Standard shipping lengths:
 coils of 80 in,
 3.048 m (10.0 ft)

NON STANDARD

E		G		H		L		P		Q		T		PD	
mm	in	mm	in	mm	in	mm	in	mm	in	mm	in	mm	in	mm	in
6.4	0.25	44.5	1.75	9.9	0.39	6.5	0.26	38.1	1.50	42.5	1.67	3.0	0.12	1.6	0.06

STRAIGHT RUNNING

	Width (W)		Weight		Permissible tensile strength N/lbf	Chain material	Pin material*	Surface	
	mm	in	kg/m	lb/ft				Roughness	Hardness
K263	66.7	2.63	2.33	1.57	4000 / 899	S1045 (Heat-treated Carbon Steel)	S1045 (Case-hardened Carbon Steel)	> 0.5 µm	43 HRC
K300	76.2	3.00	2.50	1.68					
K350	88.9	3.50	2.75	1.85					

PITCH 38.1 MM/1.50 IN

* Chains with special hardened pin (HP) for additional wear resistance and higher corrosion strength are made to order.



Sprocket

No. of teeth	Pitch diameter		Overall diameter		Min. ø bore		Max. ø bore		Hub diameter		Dimension A		Dimension B		Molded PA6 LG	Molded Cast Iron	Machined PA6
	mm	in	mm	in	mm	in	mm	in	mm	in	mm	in	mm	in			
Z13	82.0	3.22	79.0	3.11	20	0.8	40	1.6	n/a	n/a	29.8	1.17	48.1	1.89		✓	
Z19	117.3	4.62	117.0	4.61	20	0.8	40	1.6	58	2.28	58.7	2.31	64.5	2.54	✓	✓	
Z21	129.2	5.09	130.0	5.12	20	0.8	40	1.6	58	2.28	65	2.56	70.5	2.78	✓	✓	
Z23	141.2	5.56	142.0	5.59	20	0.8	40	1.6	58	2.28	71.2	2.80	76.5	3.01	✓	✓	
Z25	153.2	6.03	155.0	6.10	20	0.8	40	1.6	58	2.28	77.4	3.05	82.5	3.25	✓	✓	
Z27	165.2	6.50	167.0	6.57	20	0.8	70	2.8	n/a	n/a	83.6	3.29	88.5	3.48		✓	✓
Z29	177.2	6.98	179.0	7.05	20	0.8	70	2.8	n/a	n/a	89.8	3.54	94.6	3.72		✓	✓
Z31	189.3	7.45	192.0	7.56	20	0.8	70	2.8	n/a	n/a	95.9	3.78	100.6	3.96		✓	✓

Two part sprocket

No. of teeth	Pitch diameter		Overall diameter		Min. ø bore		Max. ø bore		Hub diameter		Dimension A		Dimension B		Molded PA6 LG
	mm	in	mm	in	mm	in	mm	in	mm	in	mm	in	mm	in	
Z19	117.3	4.62	117.0	4.61	20.0	0.79	40.0	1.57	58.0	2.28	58.7	2.31	64.5	2.54	✓
Z21	129.2	5.09	130.0	5.12	20.0	0.79	40.0	1.57	58.0	2.28	65.0	2.56	70.5	2.78	✓
Z23	141.2	5.56	142.0	5.59	20.0	0.79	40.0	1.57	58.0	2.28	71.2	2.80	76.5	3.01	✓
Z25	153.2	6.03	155.0	6.10	20.0	0.79	40.0	1.57	58.0	2.28	77.4	3.05	82.5	3.25	✓

Molded sprocket



Cast iron sprocket



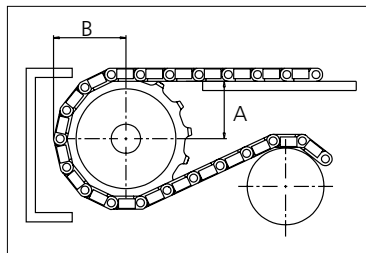
Machined sprocket



Two part sprocket



Non standard material and color:
See uni Material and Color Overview.



Please ensure that sufficient size shaft and keyway are chosen for corresponding load.

Other sprocket sizes are available upon request

Width of tooth: 42.3 mm/1.67 in

Width of sprocket: 42.3 mm/1.67 in

uni Retainer Rings: See uni Retainer Ring data sheet

uni Idler: See uni Idler data sheet

uni Guide Rings can be mounted on cast iron and machined sprockets. See uni Guide Rings data sheet



Conveyor Belts



Seamless Belts



Modular Belts



Timing Belts



Transmission Belts



Fabrication & service

Expert advice, quality solutions and local service for all your belting needs
www.ammeraalbeltech.com

Ammeraal Beltech Modular A/S
Hjulmagervej 21
DK-7100 Vejle

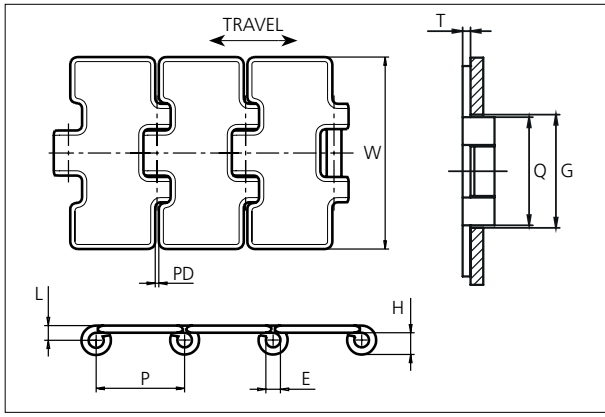
T +45 7572 3100
F +45 7572 3348
admin@unichains.com
www.unichains.com

This information is subject to alteration due to continuous development. Ammeraal Beltech will not be held liable for the incorrect use of the above stated information. This information replaces previous information. All activities performed and services rendered by Ammeraal Beltech are subject to general terms and conditions of sale and delivery, as applied by its operating companies.



Slat Top Stainless Steel Chain

Series **uni 812** Type **Single Hinge**



Slat Top Stainless Steel Chain
 Straight running chain
 Pitch: 38.1 mm (1.50 in)
 Backflex radius:
 150.0 mm (5.91 in)
 Standard shipping lengths:
 coils of 80 in,
 3.048 m (10.0 ft)

E		G		H		L		P		Q		T		PD	
mm	in	mm	in	mm	in	mm	in	mm	in	mm	in	mm	in	mm	in
6.4	0.25	44.5	1.75	9.9	0.39	6.5	0.26	38.1	1.50	42.5	1.67	3.0	0.12	1.6	0.06

	Width (W)		Weight		Permissible tensile strength N/lbf	Chain material	Pin material*	Surface	
	mm	in	kg/m	lb/ft				Roughness	Hardness
K263	66.7	2.63	2.33	1.57	2250 / 506	ASI 430 (Work hardened ferritic stainless steel)	AISI 431 (Work hardened magnetic stainless steel)	< 0.5 µm	20 HRC
K275	69.9	2.75	2.35	1.58					
K300	76.2	3.00	2.50	1.68					
K330	83.8	3.30	2.70	1.81					
K350	88.9	3.50	2.75	1.85					

* Chains with special hardened pin (HP) for additional wear resistance and higher corrosion strength are made to order.

NON STANDARD

STRAIGHT RUNNING

PITCH 38.1 MM/1.50 IN



Sprocket

No. of teeth	Pitch diameter		Overall diameter		Min. ø bore		Max. ø bore		Hub diameter		Dimension A		Dimension B		Molded PA6 LG	Molded Cast Iron	Machined PA6
	mm	in	mm	in	mm	in	mm	in	mm	in	mm	in	mm	in			
Z13	82.0	3.22	79.0	3.11	20	0.8	40	1.6	n/a	n/a	29.8	1.17	48.1	1.89		✓	
Z19	117.3	4.62	117.0	4.61	20	0.8	40	1.6	58	2.28	58.7	2.31	64.5	2.54	✓	✓	
Z21	129.2	5.09	130.0	5.12	20	0.8	40	1.6	58	2.28	65	2.56	70.5	2.78	✓	✓	
Z23	141.2	5.56	142.0	5.59	20	0.8	40	1.6	58	2.28	71.2	2.80	76.5	3.01	✓	✓	
Z25	153.2	6.03	155.0	6.10	20	0.8	40	1.6	58	2.28	77.4	3.05	82.5	3.25	✓	✓	
Z27	165.2	6.50	167.0	6.57	20	0.8	70	2.8	n/a	n/a	83.6	3.29	88.5	3.48		✓	✓
Z29	177.2	6.98	179.0	7.05	20	0.8	70	2.8	n/a	n/a	89.8	3.54	94.6	3.72		✓	✓
Z31	189.3	7.45	192.0	7.56	20	0.8	70	2.8	n/a	n/a	95.9	3.78	100.6	3.96		✓	✓

Two part sprocket

No. of teeth	Pitch diameter		Overall diameter		Min. ø bore		Max. ø bore		Hub diameter		Dimension A		Dimension B		Molded PA6 LG
	mm	in	mm	in	mm	in	mm	in	mm	in	mm	in	mm	in	
Z19	117.3	4.62	117.0	4.61	20.0	0.79	40.0	1.57	58.0	2.28	58.7	2.31	64.5	2.54	✓
Z21	129.2	5.09	130.0	5.12	20.0	0.79	40.0	1.57	58.0	2.28	65.0	2.56	70.5	2.78	✓
Z23	141.2	5.56	142.0	5.59	20.0	0.79	40.0	1.57	58.0	2.28	71.2	2.80	76.5	3.01	✓
Z25	153.2	6.03	155.0	6.10	20.0	0.79	40.0	1.57	58.0	2.28	77.4	3.05	82.5	3.25	✓

Molded sprocket



Cast iron sprocket



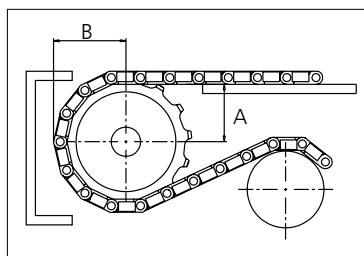
Machined sprocket



Two part sprocket



Non standard material and color:
See uni Material and Color Overview.



Please ensure that sufficient size shaft and keyway are chosen for corresponding load.

Other sprocket sizes are available upon request

Width of tooth: 42.3 mm/1.67 in

Width of sprocket: 42.3 mm/1.67 in

uni Retainer Rings: See uni Retainer Ring data sheet

uni Idler: See uni Idler data sheet

uni Guide Rings can be mounted on cast iron and machined sprockets. See uni Guide Rings data sheet



Expert advice, quality solutions and local service for all your belting needs
www.ammeraalbeltech.com

Ammeraal Beltech Modular A/S
Hjulmagervej 21
DK-7100 Vejle

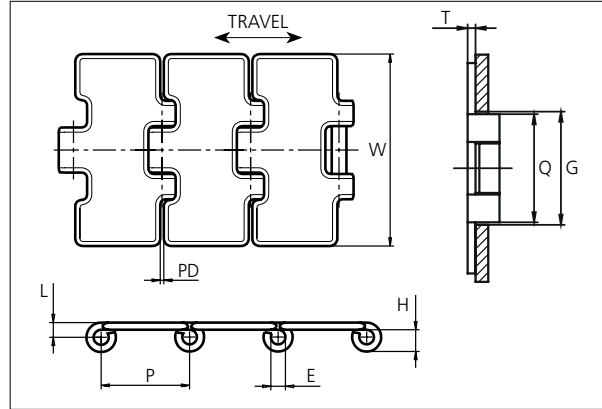
T +45 7572 3100
F +45 7572 3348
admin@unichains.com
www.unichains.com

This information is subject to alteration due to continuous development. Ammeraal Beltech will not be held liable for the incorrect use of the above stated information. This information replaces previous information. All activities performed and services rendered by Ammeraal Beltech are subject to general terms and conditions of sale and delivery, as applied by its operating companies.



Slat Top Stainless Steel Chain

Series **uni 815** Type **Single Hinge**



Slat Top Stainless Steel Chain

Straight running chain
Pitch: 38.1 mm (1.50 in)
Backflex radius:
150.0 mm (5.91 in)

Standard shipping lengths:
coils of 80 in
= 3.048 m (10.0 ft)

NON STANDARD

E		G		H		L		P		Q		T		PD	
mm	in	mm	in	mm	in	mm	in	mm	in	mm	in	mm	in	mm	in
6.4	0.25	44.5	1.75	9.9	0.39	6.5	0.26	38.1	1.50	42.5	1.67	3.0	0.12	1.6	0.06

STRAIGHT RUNNING

	Width (W)		Weight		Permissible tensile strength N/lbf	Chain material	Pin material*	Surface	
	mm	in	kg/m	lb/ft				Roughness	Hardness
K263	66.7	2.63	2.33	1.57	2250 / 506	AISI 304 (Work hardened Crome-nickel 18/8 austenitic Stainless Steel)	AISI 304 (Work hardened Crome-nickel 18/8 austenitic Stainless Steel)	< 0.5 µm	26 HRC
K275	69.9	2.75	2.35	1.58					
K300	76.2	3.00	2.50	1.68					
K350	88.9	3.50	2.75	1.85					

* Chains with special hardened pin (HP) for additional wear resistance and higher corrosion strength are made to order.

PITCH 38.1 MM/1.50 IN



Sprocket

No. of teeth	Pitch diameter		Overall diameter		Min. ø bore		Max. ø bore		Hub diameter		Dimension A		Dimension B		Molded PA6 LG	Molded Cast Iron	Machined PA6
	mm	in	mm	in	mm	in	mm	in	mm	in	mm	in	mm	in			
Z13	82.0	3.22	79.0	3.11	20	0.8	40	1.6	n/a	n/a	29.8	1.17	48.1	1.89		✓	
Z19	117.3	4.62	117.0	4.61	20	0.8	40	1.6	58	2.28	58.7	2.31	64.5	2.54	✓	✓	
Z21	129.2	5.09	130.0	5.12	20	0.8	40	1.6	58	2.28	65	2.56	70.5	2.78	✓	✓	
Z23	141.2	5.56	142.0	5.59	20	0.8	40	1.6	58	2.28	71.2	2.80	76.5	3.01	✓	✓	
Z25	153.2	6.03	155.0	6.10	20	0.8	40	1.6	58	2.28	77.4	3.05	82.5	3.25	✓	✓	
Z27	165.2	6.50	167.0	6.57	20	0.8	70	2.8	n/a	n/a	83.6	3.29	88.5	3.48		✓	✓
Z29	177.2	6.98	179.0	7.05	20	0.8	70	2.8	n/a	n/a	89.8	3.54	94.6	3.72		✓	✓
Z31	189.3	7.45	192.0	7.56	20	0.8	70	2.8	n/a	n/a	95.9	3.78	100.6	3.96		✓	✓

Two part sprocket

No. of teeth	Pitch diameter		Overall diameter		Min. ø bore		Max. ø bore		Hub diameter		Dimension A		Dimension B		Molded PA6 LG
	mm	in	mm	in	mm	in	mm	in	mm	in	mm	in	mm	in	
Z19	117.3	4.62	117.0	4.61	20.0	0.79	40.0	1.57	58.0	2.28	58.7	2.31	64.5	2.54	✓
Z21	129.2	5.09	130.0	5.12	20.0	0.79	40.0	1.57	58.0	2.28	65.0	2.56	70.5	2.78	✓
Z23	141.2	5.56	142.0	5.59	20.0	0.79	40.0	1.57	58.0	2.28	71.2	2.80	76.5	3.01	✓
Z25	153.2	6.03	155.0	6.10	20.0	0.79	40.0	1.57	58.0	2.28	77.4	3.05	82.5	3.25	✓

Molded sprocket



Cast iron sprocket



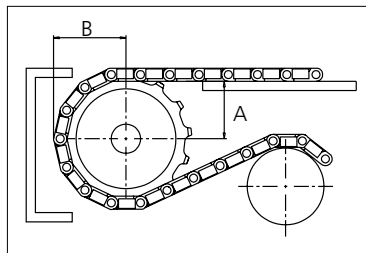
Machined sprocket



Two part sprocket



Non standard material and color:
See uni Material and Color Overview.



Please ensure that sufficient size shaft and keyway are chosen for corresponding load.

Other sprocket sizes are available upon request

Width of tooth: 42.3 mm/1.67 in

Width of sprocket: 42.3 mm/1.67 in

uni Retainer Rings: See uni Retainer Ring data sheet

uni Idler: See uni Idler data sheet

uni Guide Rings can be mounted on cast iron and machined sprockets. See uni Guide Rings data sheet



Conveyor Belts



Seamless Belts



Modular Belts



Timing Belts



Transmission Belts



Fabrication & service

Expert advice, quality solutions and local service for all your belting needs
www.ammeraalbeltech.com

Ammeraal Beltech Modular A/S
Hjulmagervej 21
DK-7100 Vejle

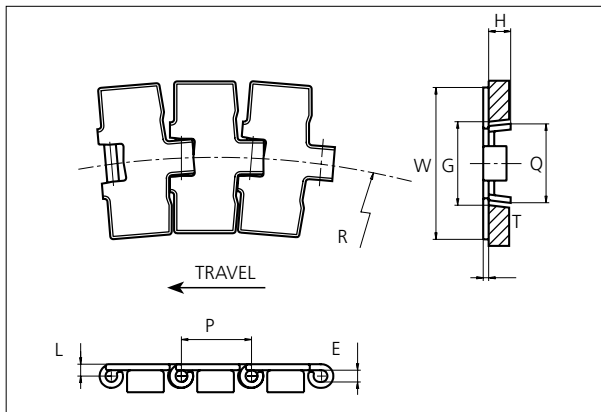
T +45 7572 3100
F +45 7572 3348
admin@unichains.com
www.unichains.com

This information is subject to alteration due to continuous development. Ammeraal Beltech will not be held liable for the incorrect use of the above stated information. This information replaces previous information. All activities performed and services rendered by Ammeraal Beltech are subject to general terms and conditions of sale and delivery, as applied by its operating companies.



Slat Top Stainless Steel Chain

Series **uni 881** Type **Bevel**



Slat Top Stainless Steel Chain
 Side flexing chain
 Pitch: 38.1 mm (1.50 in)
 Backflex radius:
 76.2 mm (3.00 in)
 Standard shipping lengths:
 coils of 80 in
 = 3.048 m (10 ft)

E		G*		G**		H		L		P		Q		T	
mm	in	mm	in	mm	in	mm	in	mm	in	mm	in	mm	in	mm	in
6.4	0.25	41.3	1.63	46.6	1.83	11.2	0.44	6.5	0.26	38.1	1.50	43.0	1.69	3.0	0.12

*Curve, ** Straight

	Width (W)		Min. radius (R)		Weight		Permissible tensile strength N/lbf	Chain material	Pin material*	Surface	
	mm	in	mm	in	kg/m	lb/ft				Roughness	Hardness
K325	82.6	3.25	457	17.99	2.90	1.95	4000 / 899	S1045 (Heat-treated Carbon Steel)	S1045 (Case-hardened Carbon Steel)	> 0.5 µm	43 HRC
K450	114.3	4.50	500	19.69	3.60	2.42					
K750	190.5	7.50	500	19.69	5.30	3.56					

* Chains with special hardened pin (HP) for additional wear resistance and higher corrosion strength are made to order.

NON STANDARD

SIDE FLEXING

PITCH 38.1 MM/1.50 IN



Sprocket

No of teeth	Pitch diameter		Overall-diameter		Min. ø bore		Max. ø bore		Hub-diameter		Dimension A		Dimension B		Molded PA6 LG	Molded Cast Iron	Machined PA6
	mm	in	mm	in	mm	in	mm	in	mm	in	mm	in	mm	in			
Z19	117.3	4.62	117.0	4.61	20.0	0.79	40.0	1.57	58.0	2.28	58.7	2.31	64.5	2.54	✓	✓	
Z21	129.2	5.09	130.0	5.12	20.0	0.79	40.0	1.57	58.0	2.28	65.0	2.56	70.5	2.78	✓	✓	
Z23	141.2	5.56	142.0	5.59	20.0	0.79	40.0	1.57	58.0	2.28	71.2	2.80	76.5	3.01	✓	✓	
Z25	153.2	6.03	155.0	6.10	20.0	0.79	40.0	1.57	58.0	2.28	77.4	3.05	82.5	3.25	✓	✓	
Z27	165.2	6.50	167.0	6.57	20.0	0.79	70.0	2.76	n/a	n/a	83.6	3.29	88.5	3.48		✓	✓
Z29	177.2	6.98	179.0	7.05	20.0	0.79	70.0	2.76	n/a	n/a	89.8	3.54	94.6	3.72		✓	✓
Z31	189.3	7.45	192.0	7.56	20.0	0.79	70.0	2.76	n/a	n/a	95.9	3.78	100.6	3.96		✓	✓

Two part sprocket

No of teeth	Pitch diameter		Overall-diameter		Min. ø bore		Max. ø bore		Hub-diameter		Dimension A		Dimension B		Molded PA6 LG
	mm	in	mm	in	mm	in	mm	in	mm	in	mm	in	mm	in	
Z19	117.3	4.62	117.0	4.61	20.0	0.79	40.0	1.57	58.0	2.28	58.7	2.31	64.5	2.54	✓
Z21	129.2	5.09	130.0	5.12	20.0	0.79	40.0	1.57	58.0	2.28	65.0	2.56	70.5	2.78	✓
Z23	141.2	5.56	142.0	5.59	20.0	0.79	40.0	1.57	58.0	2.28	71.2	2.80	76.5	3.01	✓
Z25	153.2	6.03	155.0	6.10	20.0	0.79	40.0	1.57	58.0	2.28	77.4	3.05	82.5	3.25	✓

Molded sprocket



Cast iron sprocket



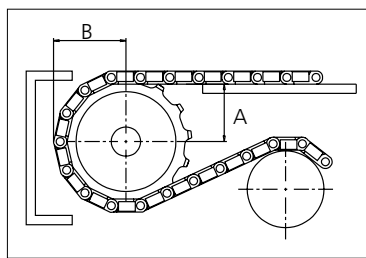
Machined sprocket



Two part sprocket



Non standard material and color:
See uni Material and Color Overview.



Please ensure that sufficient size shaft and keyway are chosen for corresponding load.

Other sprocket sizes are available upon request

Width of tooth: 31.8 mm/1.25 in

Width of sprocket: 42.3 mm/1.67 in

uni Retainer Rings: See uni Retainer Ring data sheet

uni Guide Rings can be mounted on cast iron and machined sprockets. See uni Guide Rings data sheet



Conveyor Belts



Seamless Belts



Modular Belts



Timing Belts



Transmission Belts



Fabrication & service

Expert advice, quality solutions and local service for all your belting needs
www.ammeraalbeltech.com

Ammeraal Beltech Modular A/S
Hjulmagervej 21
DK-7100 Vejle

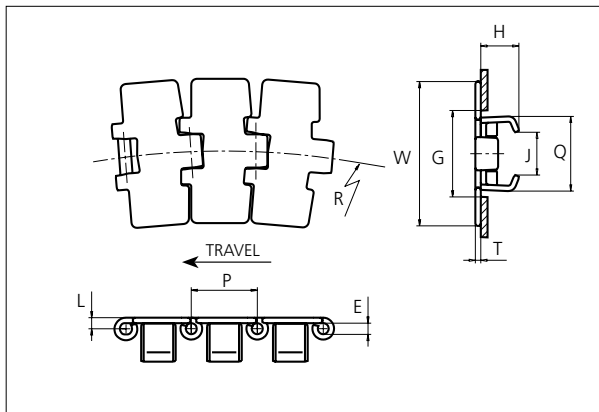
T +45 7572 3100
F +45 7572 3348
admin@unichains.com
www.unichains.com

This information is subject to alteration due to continuous development. Ammeraal Beltech will not be held liable for the incorrect use of the above stated information. This information replaces previous information. All activities performed and services rendered by Ammeraal Beltech are subject to general terms and conditions of sale and delivery, as applied by its operating companies.



Slat Top Stainless Steel Chain

Series **uni 881** Type **Super Flex**



Slat Top Stainless Steel Chain

Side flexing chain
Pitch: 38.1 mm (1.50 in)
Backflex radius:
76.2 mm (3.00 in)

Standard shipping lengths:
coils of 80 in
= 3.048 m (10.0 ft)

E		G		H		J		L		P		Q		T	
mm	in	mm	in	mm	in	mm	in	mm	in	mm	in	mm	in	mm	in
6.4	0.25	46.5	1.75	22.0	0.87	24.5	0.96	6.4	0.25	38.1	1.50	41.7	1.68	3.1	0.12

	Width (W)		Min. radius (R)		Weight		Permissible tensile strength N/lbf	Chain material	Pin material*	Surface	
	mm	in	mm	in	kg/m	lb/ft				Roughness	Hardness
K325	82.6	3.25	457	17.99	2.90	1.95	2250 / 506	AISI 430 (Work hardened ferritic Stainless Steel)	AISI 431 (Work hardened magnetic Stainless Steel)	< 0.5 µm	20 HRC
K450	114.3	4.50	500	19.69	3.60	2.42					
K750	190.5	7.50	500	19.69	5.30	3.56					

* Chains with special hardened pin (HP) for additional wear resistance and higher corrosion strength are made to order.

NON STANDARD

SIDE FLEXING

PITCH 38.1 MM/1.50 IN



Sprocket

No of teeth	Pitch diameter		Overall-diameter		Min. ø bore		Max. ø bore		Hub-diameter		Dimension A		Dimension B		Molded PA6 LG	Molded Cast Iron	Machined PA6 N
	mm	in	mm	in	mm	in	mm	in	mm	in	mm	in	mm	in			
Z19	117.3	4.62	117.0	4.61	20.0	0.79	40.0	1.57	58.0	2.28	58.7	2.31	64.5	2.54	✓	✓	
Z21	129.2	5.09	130.0	5.12	20.0	0.79	40.0	1.57	58.0	2.28	65.0	2.56	70.5	2.78	✓	✓	
Z23	141.2	5.56	142.0	5.59	20.0	0.79	40.0	1.57	58.0	2.28	71.2	2.80	76.5	3.01	✓	✓	
Z25	153.2	6.03	155.0	6.10	20.0	0.79	40.0	1.57	58.0	2.28	77.4	3.05	82.5	3.25	✓	✓	
Z27	165.2	6.50	167.0	6.57	20.0	0.79	70.0	2.76	n/a	n/a	83.6	3.29	88.5	3.48		✓	✓
Z29	177.2	6.98	179.0	7.05	20.0	0.79	70.0	2.76	n/a	n/a	89.8	3.54	94.6	3.72		✓	✓
Z31	189.3	7.45	192.0	7.56	20.0	0.79	70.0	2.76	n/a	n/a	95.9	3.78	100.6	3.96		✓	✓

Two part sprocket

No of teeth	Pitch diameter		Overall-diameter		Min. ø bore		Max. ø bore		Hub-diameter		Dimension A		Dimension B		Molded PA6 LG
	mm	in	mm	in	mm	in	mm	in	mm	in	mm	in	mm	in	
Z19	117.3	4.62	117.0	4.61	20.0	0.79	40.0	1.57	58.0	2.28	58.7	2.31	64.5	2.54	✓
Z21	129.2	5.09	130.0	5.12	20.0	0.79	40.0	1.57	58.0	2.28	65.0	2.56	70.5	2.78	✓
Z23	141.2	5.56	142.0	5.59	20.0	0.79	40.0	1.57	58.0	2.28	71.2	2.80	76.5	3.01	✓
Z25	153.2	6.03	155.0	6.10	20.0	0.79	40.0	1.57	58.0	2.28	77.4	3.05	82.5	3.25	✓

Molded sprocket



Cast iron sprocket



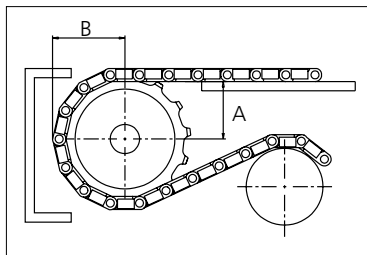
Machined sprocket



Two part sprocket



Non standard material and color:
See uni Material and Color Overview.



Please ensure that sufficient size shaft and keyway are chosen for corresponding load.

Other sprocket sizes are available upon request

Width of tooth: 31.8 mm/1.25 in

Width of sprocket: 42.3 mm/1.67 in

uni Retainer Rings: See uni Retainer Ring data sheet

uni Guide Rings can be mounted on cast iron and machined sprockets. See uni Guide Rings data sheet



Expert advice, quality solutions and local service for all your belting needs
www.ammeraalbeltech.com

Ammeraal Beltech Modular A/S
Hjulmagervej 21
DK-7100 Vejle

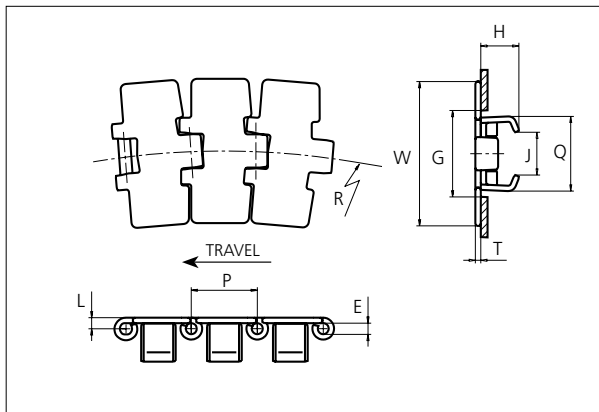
T +45 7572 3100
F +45 7572 3348
admin@unichains.com
www.unichains.com

This information is subject to alteration due to continuous development. Ammeraal Beltech will not be held liable for the incorrect use of the above stated information. This information replaces previous information. All activities performed and services rendered by Ammeraal Beltech are subject to general terms and conditions of sale and delivery, as applied by its operating companies.



Slat Top Stainless Steel Chain

Series **uni 881** Type **Super Flex**



Slat Top Stainless Steel Chain

Side flexing chain
Pitch: 38.1 mm (1.50 in)
Backflex radius:
76.2 mm (3.00 in)

Standard shipping lengths:
coils of 80 in
= 3.048 m (10 ft)

NON STANDARD

E		G		H		J		L		P		Q		T	
mm	in	mm	in	mm	in	mm	in	mm	in	mm	in	mm	in	mm	in
6.4	0.25	46.5	1.75	22.0	0.87	24.5	0.96	6.4	0.25	38.1	1.50	41.7	1.68	3.1	0.12

SIDE FLEXING

	Width (W)		Min. radius (R)		Weight		Permissible tensile strength N/lbf	Chain material	Pin material*	Surface	
	mm	in	mm	in	kg/m	lb/ft				Roughness	Hardness
K325	82.6	3.25	457	17.99	2.90	1.95	2250 / 506	AISI 304 (Work hardened Crome-nickel 18/8 austenitic Stainless Steel)	AISI 304 (Work hardened Crome-nickel 18/8 austenitic Stainless Steel)	< 0.5 µm	26 HRC
K450	114.3	4.50	500	19.69	3.60	2.42					
K750	190.5	7.50	500	19.69	5.30	3.56					

* Chains with special hardened pin (HP) for additional wear resistance and higher corrosion strength are made to order.

PITCH 38.1 MM/1.50 IN



Sprocket

No of teeth	Pitch diameter		Overall-diameter		Min. ø bore		Max. ø bore		Hub-diameter		Dimension A		Dimension B		Molded PA6 LG	Molded Cast Iron	Machined PA6
	mm	in	mm	in	mm	in	mm	in	mm	in	mm	in	mm	in			
Z19	117.3	4.62	117.0	4.61	20.0	0.79	40.0	1.57	58.0	2.28	58.7	2.31	64.5	2.54	✓	✓	
Z21	129.2	5.09	130.0	5.12	20.0	0.79	40.0	1.57	58.0	2.28	65.0	2.56	70.5	2.78	✓	✓	
Z23	141.2	5.56	142.0	5.59	20.0	0.79	40.0	1.57	58.0	2.28	71.2	2.80	76.5	3.01	✓	✓	
Z25	153.2	6.03	155.0	6.10	20.0	0.79	40.0	1.57	58.0	2.28	77.4	3.05	82.5	3.25	✓	✓	
Z27	165.2	6.50	167.0	6.57	20.0	0.79	70.0	2.76	n/a	n/a	83.6	3.29	88.5	3.48		✓	✓
Z29	177.2	6.98	179.0	7.05	20.0	0.79	70.0	2.76	n/a	n/a	89.8	3.54	94.6	3.72		✓	✓
Z31	189.3	7.45	192.0	7.56	20.0	0.79	70.0	2.76	n/a	n/a	95.9	3.78	100.6	3.96		✓	✓

Two part sprocket

No of teeth	Pitch diameter		Overall-diameter		Min. ø bore		Max. ø bore		Hub-diameter		Dimension A		Dimension B		Molded PA6 LG
	mm	in	mm	in	mm	in	mm	in	mm	in	mm	in	mm	in	
Z19	117.3	4.62	117.0	4.61	20.0	0.79	40.0	1.57	58.0	2.28	58.7	2.31	64.5	2.54	✓
Z21	129.2	5.09	130.0	5.12	20.0	0.79	40.0	1.57	58.0	2.28	65.0	2.56	70.5	2.78	✓
Z23	141.2	5.56	142.0	5.59	20.0	0.79	40.0	1.57	58.0	2.28	71.2	2.80	76.5	3.01	✓
Z25	153.2	6.03	155.0	6.10	20.0	0.79	40.0	1.57	58.0	2.28	77.4	3.05	82.5	3.25	✓

Molded sprocket



Cast iron sprocket



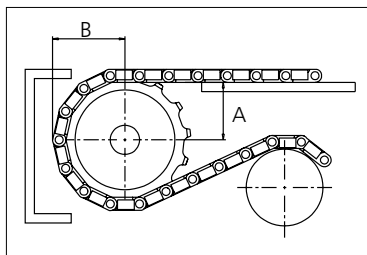
Machined sprocket



Two part sprocket



Non standard material and color:
See uni Material and Color Overview.



Please ensure that sufficient size shaft and keyway are chosen for corresponding load.

Other sprocket sizes are available upon request

Width of tooth: 31.8 mm/1.25 in

Width of sprocket: 42.3 mm/1.67 in

uni Retainer Rings: See uni Retainer Ring data sheet

uni Guide Rings can be mounted on cast iron and machined sprockets. See uni Guide Rings data sheet



Conveyor Belts



Seamless Belts



Modular Belts



Timing Belts



Transmission Belts



Fabrication & service

Expert advice, quality solutions and local service for all your belting needs
www.ammeraalbeltech.com

Ammeraal Beltech Modular A/S
Hjulmagervej 21
DK-7100 Vejle

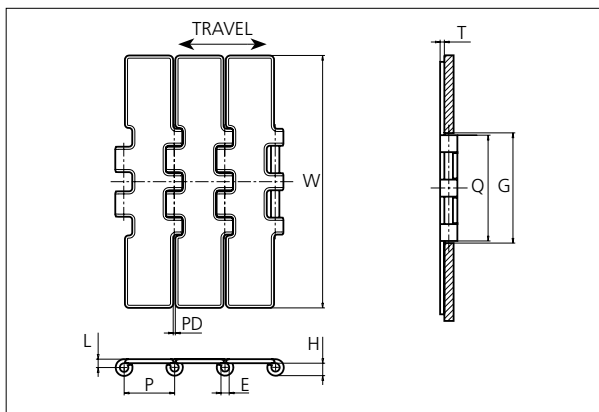
T +45 7572 3100
F +45 7572 3348
admin@unichains.com
www.unichains.com

This information is subject to alteration due to continuous development. Ammeraal Beltech will not be held liable for the incorrect use of the above stated information. This information replaces previous information. All activities performed and services rendered by Ammeraal Beltech are subject to general terms and conditions of sale and delivery, as applied by its operating companies.



Slat Top Stainless Steel Chain

Series **uni 805 PLUS⁺** Type **Double Hinge**



Slat Top Stainless Steel Chain
 Straight running chain
 Pitch: 38.1 mm (1.50 in)
 Backflex radius:
 150.0 mm (5.91 in)
 Standard shipping lengths:
 coils of 80 links
 = 3.048 m (10.0 ft)

STANDARD

E		G		H		L		P		Q		T		PD	
mm	in	mm	in	mm	in	mm	in	mm	in	mm	in	mm	in	mm	in
6.4	0.25	82.5	3.25	9.9	0.39	6.5	0.26	38.1	1.50	80.5	3.17	3.0	0.12	1.6	0.06

STRAIGHT RUNNING

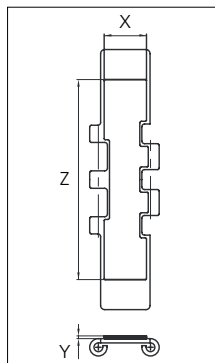
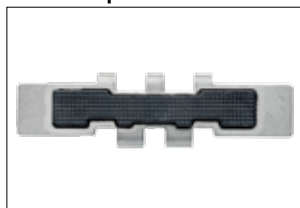
	Width (W)		Weight		Permissible tensile strength N/lbf	Chain material	Pin material*	Surface	
	mm	in	kg/m	lb/ft				Roughness	Hardness
K750	190.5	7.50	5.80	3.90	4500 / 1012	S420 35 (Special Work hardened Chrome-nickel ferritic Stainless Steel)	AISI 431 (Work hardened magnetic Stainless Steel)	< 0.3 μm	30 HRC

PITCH 38.1 MM/1.50 IN

* Chains with special hardened pin (HP) for additional wear resistance and higher corrosion strength are made to order.

Accessories

Rubber Top




Non stock item. Contact Customer Service for delivery time.

Width	Rubber material	Z		X		Y	
		mm	in	mm	in	mm	in
K750	06 K	140.0	5.51	24.5	0.96	3.0	0.12



Sprocket

No. of teeth	Pitch diameter		Overall diameter		Min. ø bore		Max. ø bore		Hub diameter		Dimension A		Dimension B		Molded Cast Iron	Machined PA6 
	mm	in	mm	in	mm	in	mm	in	mm	in	mm	in	mm	in		
Z19	117.3	4.62	117.0	4.61	20.0	0.79	40.0	1.57	58.0	2.28	58.7	2.31	64.5	2.54	✓	✓
Z21	129.2	5.09	130.0	5.12	20.0	0.79	40.0	1.57	58.0	2.28	65.0	2.56	70.5	2.78	✓	✓
Z23	141.2	5.56	142.0	5.59	20.0	0.79	40.0	1.57	58.0	2.28	71.2	2.80	76.5	3.01	✓	✓
Z25	153.2	6.03	155.0	6.10	20.0	0.79	40.0	1.57	58.0	2.28	77.4	3.05	82.5	3.25	✓	✓
Z27	165.2	6.50	167.0	6.57	20.0	0.79	70.0	2.76	n/a	n/a	83.6	3.29	88.5	3.48	✓	✓
Z29	177.2	6.98	179.0	7.05	20.0	0.79	70.0	2.76	n/a	n/a	89.8	3.54	94.6	3.72	✓	✓
Z31	189.3	7.45	192.0	7.56	20.0	0.79	70.0	2.76	n/a	n/a	95.9	3.78	100.6	3.96	✓	✓

Two part sprocket

No. of teeth	Pitch diameter		Overall diameter		Min. ø bore		Max. ø bore		Hub diameter		Dimension A		Dimension B		Molded PA6 LG
	mm	in	mm	in	mm	in	mm	in	mm	in	mm	in	mm	in	
Z25	153.2	6.03	155.0	6.10	20.0	0.79	40.0	1.57	58.0	2.28	77.4	3.05	82.5	3.25	✓

Non standard material and color:
See uni Material and Color Overview.

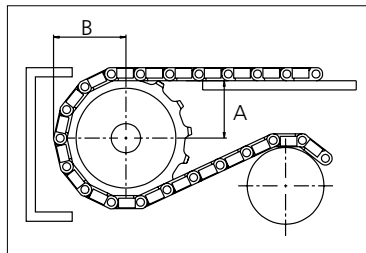
Cast iron sprocket



Machined sprocket



Molded two part sprocket



Please ensure that sufficient size shaft and keyway are chosen for corresponding load.

Other sprocket sizes are available upon request

Width of tooth: 79.4 mm/3.13 in

Width of sprocket: 79.4 mm/3.13 in

uni Retainer Rings: See uni Retainer Ring data sheet

uni Idler: See uni Idler data sheet

uni Guide Rings can be mounted on cast iron and machined sprockets. See uni Guide Rings data sheet



Conveyor Belts



Seamless Belts



Modular Belts



Timing Belts



Transmission Belts



Fabrication & service

Expert advice, quality solutions and local service for all your belting needs
www.ammeraalbeltech.com

Ammeraal Beltech Modular A/S
Hjulmagervej 21
DK-7100 Vejle

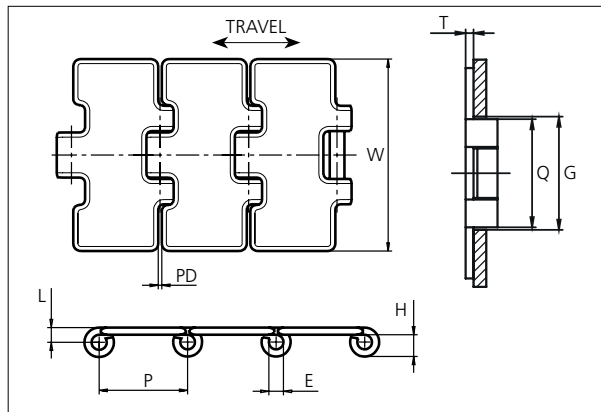
T +45 7572 3100
F +45 7572 3348
admin@unichains.com
www.unichains.com

This information is subject to alteration due to continuous development. Ammeraal Beltech will not be held liable for the incorrect use of the above stated information. This information replaces previous information. All activities performed and services rendered by Ammeraal Beltech are subject to general terms and conditions of sale and delivery, as applied by its operating companies.



Slat Top Stainless Steel Chain

Series **uni 815 PLUS⁺** Type **Single Hinge**



Slat Top Stainless Steel Chain

Straight running chain
Pitch: 38.1 mm (1.50 in)
Backflex radius:
150.0 mm (5.91 in)

Standard shipping lengths:
coils of 80 links
= 3.048 m (10.0 ft)

STANDARD

E		G		H		L		P		Q		T		PD	
mm	in	mm	in	mm	in	mm	in	mm	in	mm	in	mm	in	mm	in
6.4	0.25	44.5	1.75	9.9	0.39	6.5	0.26	38.1	1.50	42.5	1.67	3.0	0.12	1.6	0.06

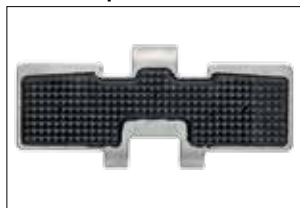
STRAIGHT RUNNING

Width (W)			Weight		Permissible tensile strength N/lbf	Chain material	Pin material*	Surface	
	mm	in	kg/m	lb/ft				Roughness	Hardness
K325	82.6	3.25	2.65	1.78	3000 / 674	S420 35 (Special Work hardened Crome-nickel ferritic Stainless Steel)	AISI 431 (Work hardened magnetic Stainless Steel)	< 0.3 μm	30 HRC
K330	83.8	3.30	2.70	1.81					
K400	101.6	4.00	3.00	2.02					
K450	114.3	4.50	3.30	2.22					
K600	152.4	6.00	4.20	2.82					
K750	190.5	7.50	5.10	3.43					

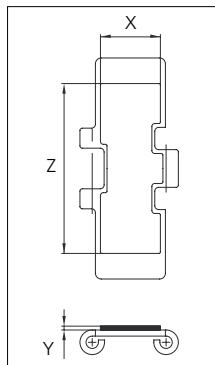
* Chains with special hardened pin (HP) for additional wear resistance and higher corrosion strength are made to order.

Accessories

Rubber Top



Non stock item. Contact Customer Service for delivery time.



Width	Rubber material	Z		X		Y	
		mm	in	mm	in	mm	in
K325	06 K	77.0	3.03	30.0	1.18	2.0	0.08
K450	06 K	108.0	4.25	27.0	1.06	2.0	0.08
K600	06 K	146.0	5.75	30.0	1.18	2.0	0.08
K750	06 K	146.0	5.75	30.0	1.18	2.0	0.08

PITCH 38.1 MM/1.50 IN



Sprocket

No. of teeth	Pitch diameter		Overall diameter		Min. ø bore		Max. ø bore		Hub diameter		Dimension A		Dimension B		Molded PA6 LG	Molded Cast Iron	Machined PA6 LG
	mm	in	mm	in	mm	in	mm	in	mm	in	mm	in	mm	in			
Z13	82.0	3.22	79.0	3.11	20	0.8	40	1.6	n/a	n/a	29.8	1.17	48.1	1.89		✓	
Z19	117.3	4.62	117.0	4.61	20	0.8	40	1.6	58	2.28	58.7	2.31	64.5	2.54	✓	✓	
Z21	129.2	5.09	130.0	5.12	20	0.8	40	1.6	58	2.28	65	2.56	70.5	2.78	✓	✓	
Z23	141.2	5.56	142.0	5.59	20	0.8	40	1.6	58	2.28	71.2	2.80	76.5	3.01	✓	✓	
Z25	153.2	6.03	155.0	6.10	20	0.8	40	1.6	58	2.28	77.4	3.05	82.5	3.25	✓	✓	
Z27	165.2	6.50	167.0	6.57	20	0.8	70	2.8	n/a	n/a	83.6	3.29	88.5	3.48		✓	✓
Z29	177.2	6.98	179.0	7.05	20	0.8	70	2.8	n/a	n/a	89.8	3.54	94.6	3.72		✓	✓
Z31	189.3	7.45	192.0	7.56	20	0.8	70	2.8	n/a	n/a	95.9	3.78	100.6	3.96		✓	✓

Two part sprocket

No. of teeth	Pitch diameter		Overall diameter		Min. ø bore		Max. ø bore		Hub diameter		Dimension A		Dimension B		Molded PA6 LG
	mm	in	mm	in	mm	in	mm	in	mm	in	mm	in	mm	in	
Z19	117.3	4.62	117.0	4.61	20.0	0.79	40.0	1.57	58.0	2.28	58.7	2.31	64.5	2.54	✓
Z21	129.2	5.09	130.0	5.12	20.0	0.79	40.0	1.57	58.0	2.28	65.0	2.56	70.5	2.78	✓
Z23	141.2	5.56	142.0	5.59	20.0	0.79	40.0	1.57	58.0	2.28	71.2	2.80	76.5	3.01	✓
Z25	153.2	6.03	155.0	6.10	20.0	0.79	40.0	1.57	58.0	2.28	77.4	3.05	82.5	3.25	✓

Molded sprocket



Cast iron sprocket



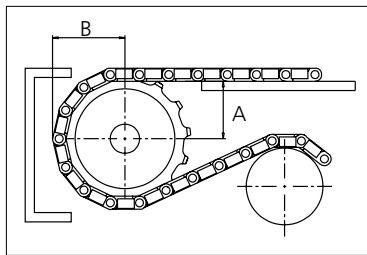
Machined sprocket



Two part sprocket



Non standard material and color:
See uni Material and Color Overview.



Please ensure that sufficient size shaft and keyway are chosen for corresponding load.

Other sprocket sizes are available upon request

Width of tooth: 42.3 mm/1.67 in

Width of sprocket: 42.3 mm/1.67 in

uni Retainer Rings: See uni Retainer Ring data sheet

uni Idler: See uni Idler data sheet

uni Guide Rings can be mounted on cast iron and machined sprockets. See uni Guide Rings data sheet



Conveyor Belts



Seamless Belts



Modular Belts



Timing Belts



Transmission Belts



Fabrication & service

Expert advice, quality solutions and local service for all your belting needs
www.ammeraalbeltech.com

Ammeraal Beltech Modular A/S
Hjulmagervej 21
DK-7100 Vejle

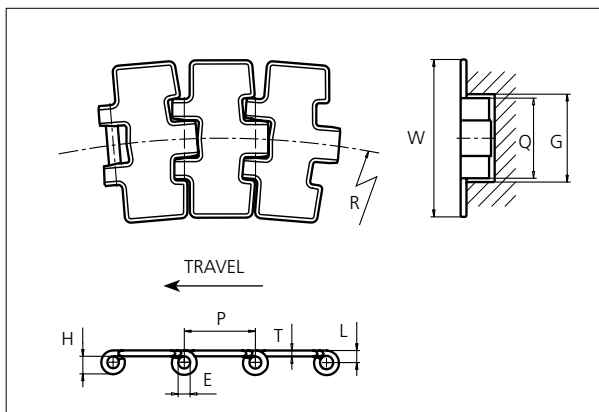
T +45 7572 3100
F +45 7572 3348
admin@unichains.com
www.unichains.com

This information is subject to alteration due to continuous development. Ammeraal Beltech will not be held liable for the incorrect use of the above stated information. This information replaces previous information. All activities performed and services rendered by Ammeraal Beltech are subject to general terms and conditions of sale and delivery, as applied by its operating companies.



Slat Top Stainless Steel Chain

Series **uni 8811 PLUS+** Type **Magnetic**



Slat Top Stainless Steel Chain

Side flexing chain
Pitch: 38.1 mm (1.50 in)
Backflex radius:
76.2 mm (3.00 in)

Standard shipping lengths:
coils of 80 links
= 3.048 m (10.0 ft)

STANDARD

E		G		H		L		P		Q		T	
mm	in	mm	in	mm	in	mm	in	mm	in	mm	in	mm	in
6.4	0.25	44.0	1.73	9.9	0.39	6.5	0.26	38.1	1.50	42.2	1.66	3.0	0.12

	Width (W)		Min. radius (R)		Weight		Permissible tensile strength N/lbf	Chain material	Pin material*	Surface	
	mm	in	mm	in	kg/m	lb/ft				Roughness	Hardness
K325	82.6	3.25	500	19.69	2.50	1.68	3000 / 674	S420 35 (Special Work hardened Crome-nickel ferritic Stainless Steel)	AISI 431 (Work hardened magnetic Stainless Steel)	< 0.3 µm	30 HRC
K330	83.8	3.30			2.65	1.78					

* Chains with special hardened pin (HP) for additional wear resistance and higher corrosion strength are made to order.

SIDE FLEXING

PITCH 38.1 MM/1.50 IN



Sprocket

No of teeth	Pitch diameter		Overall-diameter		Min. ø bore		Max. ø bore		Hub-diameter		A-dimension		B-dimension		Molded PA6 LG	Molded Cast Iron	Machined PA6
	mm	in	mm	in	mm	in	mm	in	mm	in	mm	in	mm	in			
Z19	117.3	4.62	117.0	4.61	20.0	0.79	40.0	1.57	58.0	2.28	58.7	2.31	64.5	2.54	✓	✓	
Z21	129.2	5.09	130.0	5.12	20.0	0.79	40.0	1.57	58.0	2.28	65.0	2.56	70.5	2.78	✓	✓	
Z23	141.2	5.56	142.0	5.59	20.0	0.79	40.0	1.57	58.0	2.28	71.2	2.80	76.5	3.01	✓	✓	
Z25	153.2	6.03	155.0	6.10	20.0	0.79	40.0	1.57	58.0	2.28	77.4	3.05	82.5	3.25	✓	✓	
Z27	165.2	6.50	167.0	6.57	20.0	0.79	70.0	2.76	n/a	n/a	83.6	3.29	88.5	3.48		✓	✓
Z29	177.2	6.98	179.0	7.05	20.0	0.79	70.0	2.76	n/a	n/a	89.8	3.54	94.6	3.72		✓	✓
Z31	189.3	7.45	192.0	7.56	20.0	0.79	70.0	2.76	n/a	n/a	95.9	3.78	100.6	3.96		✓	✓

Two part sprocket

No of teeth	Pitch diameter		Overall-diameter		Min. ø bore		Max. ø bore		Hub-diameter		A-dimension		B-dimension		Molded PA6 LG
	mm	in	mm	in	mm	in	mm	in	mm	in	mm	in	mm	in	
Z19	117.3	4.62	117.0	4.61	20.0	0.79	40.0	1.57	58.0	2.28	58.7	2.31	64.5	2.54	✓
Z21	129.2	5.09	130.0	5.12	20.0	0.79	40.0	1.57	58.0	2.28	65.0	2.56	70.5	2.78	✓
Z23	141.2	5.56	142.0	5.59	20.0	0.79	40.0	1.57	58.0	2.28	71.2	2.80	76.5	3.01	✓
Z25	153.2	6.03	155.0	6.10	20.0	0.79	40.0	1.57	58.0	2.28	77.4	3.05	82.5	3.25	✓

Molded sprocket



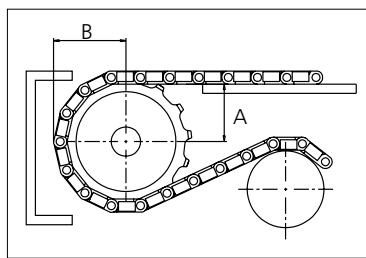
Cast iron sprocket



Machined sprocket



Two part sprocket



Please ensure that sufficient size shaft and keyway are chosen for corresponding load.

Non standard material and color:
See uni Material and Color Overview.

Other sprocket sizes are available upon request

Width of tooth: 42.3 mm/1.67 in

Width of sprocket: 42.3 mm/1.67 in

uni Retainer Rings: See uni Retainer Ring data sheet

uni Idler: See uni Idler data sheet

uni Guide Rings can be mounted on cast iron and machined sprockets. See uni Guide Rings data sheet



Conveyor Belts



Seamless Belts



Modular Belts



Timing Belts



Transmission Belts



Fabrication & service

Expert advice, quality solutions and local service for all your belting needs
www.ammeraalbeltech.com

Ammeraal Beltech Modular A/S
Hjulmagervej 21
DK-7100 Vejle

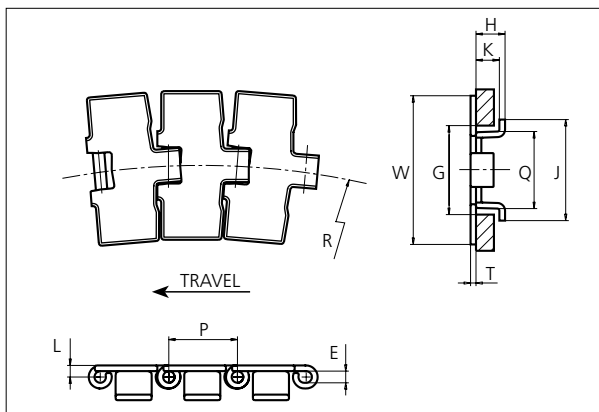
T +45 7572 3100
F +45 7572 3348
admin@unichains.com
www.unichains.com

This information is subject to alteration due to continuous development. Ammeraal Beltech will not be held liable for the incorrect use of the above stated information. This information replaces previous information. All activities performed and services rendered by Ammeraal Beltech are subject to general terms and conditions of sale and delivery, as applied by its operating companies.



Slat Top Stainless Steel Chain

Series **uni 8811 PLUS⁺** Type **Tab**



Slat Top Stainless Steel Chain
 Side flexing chain
 Pitch: 38.1 mm (1.50 in)
 Backflex radius:
 76.2 mm (3.00 in)
 Standard shipping lengths:
 coils of 80 links
 = 3.048 m (10.0 ft)

STANDARD

E		G		H		J		K		L		P		Q		T	
mm	in	mm	in	mm	in	mm	in	mm	in	mm	in	mm	in	mm	in	mm	in
6.4	0.25	44.5	1.75	16.3	0.64	56.2	2.21	12.7	0.50	6.5	0.26	38.1	1.50	43.0	1.69	3.0	0.12

SIDE FLEXING

	Width (W)		Min. radius (R)		Weight		Permissible tensile strength N/lbf	Chain material	Pin material*	Surface	
	mm	in	mm	in	kg/m	lb/ft				Roughness	Hardness
K325	82.6	3.25	500	19.69	3.10	2.08	3000 / 674	S420 35 (Special Work hardened Crome-nickel ferritic Stainless Steel)	AISI 431 (Work hardened magnetic Stainless Steel)	< 0.3 µm	30 HRC

* Chains with special hardened pin (HP) for additional wear resistance and higher corrosion strength are made to order.

PITCH 38.1 MM/1.50 IN



Sprocket

No of teeth	Pitch diameter		Overall-diameter		Min. ø bore		Max. ø bore		Hub-diameter		A-dimension		B-dimension		Molded PA6 LG	Molded Cast Iron	Machined PA6
	mm	in	mm	in	mm	in	mm	in	mm	in	mm	in	mm	in	✓	✓	✓
Z19	117.3	4.62	117.0	4.61	20.0	0.79	40.0	1.57	58.0	2.28	58.7	2.31	64.5	2.54	✓	✓	
Z21	129.2	5.09	130.0	5.12	20.0	0.79	40.0	1.57	58.0	2.28	65.0	2.56	70.5	2.78	✓	✓	
Z23	141.2	5.56	142.0	5.59	20.0	0.79	40.0	1.57	58.0	2.28	71.2	2.80	76.5	3.01	✓	✓	
Z25	153.2	6.03	155.0	6.10	20.0	0.79	40.0	1.57	58.0	2.28	77.4	3.05	82.5	3.25	✓	✓	
Z27	165.2	6.50	167.0	6.57	20.0	0.79	70.0	2.76	n/a	n/a	83.6	3.29	88.5	3.48		✓	✓
Z29	177.2	6.98	179.0	7.05	20.0	0.79	70.0	2.76	n/a	n/a	89.8	3.54	94.6	3.72		✓	✓
Z31	189.3	7.45	192.0	7.56	20.0	0.79	70.0	2.76	n/a	n/a	95.9	3.78	100.6	3.96		✓	✓

Two part sprocket

No of teeth	Pitch diameter		Overall-diameter		Min. ø bore		Max. ø bore		Hub-diameter		A-dimension		B-dimension		Molded PA6 LG
	mm	in	mm	in	mm	in	mm	in	mm	in	mm	in	mm	in	✓
Z19	117.3	4.62	117.0	4.61	20.0	0.79	40.0	1.57	58.0	2.28	58.7	2.31	64.5	2.54	✓
Z21	129.2	5.09	130.0	5.12	20.0	0.79	40.0	1.57	58.0	2.28	65.0	2.56	70.5	2.78	✓
Z23	141.2	5.56	142.0	5.59	20.0	0.79	40.0	1.57	58.0	2.28	71.2	2.80	76.5	3.01	✓
Z25	153.2	6.03	155.0	6.10	20.0	0.79	40.0	1.57	58.0	2.28	77.4	3.05	82.5	3.25	✓

Molded sprocket



Cast iron sprocket



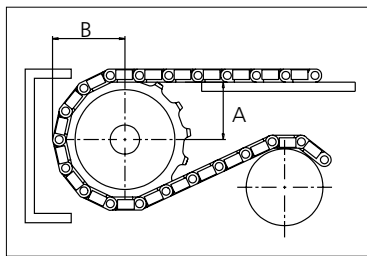
Machined sprocket



Two part sprocket



Non standard material and color:
See uni Material and Color Overview.



Please ensure that sufficient size shaft and keyway are chosen for corresponding load.

Other sprocket sizes are available upon request
Width of tooth: 31.8 mm/1.25 in
Width of sprocket: 42.3 mm/1.67 in
uni Retainer Rings: See uni Retainer Ring data sheet
uni Idler: See uni Idler data sheet



Expert advice, quality solutions and local service for all your belting needs
www.ammeraalbeltech.com

Ammeraal Beltech Modular A/S
Hjulmagervej 21
DK-7100 Vejle

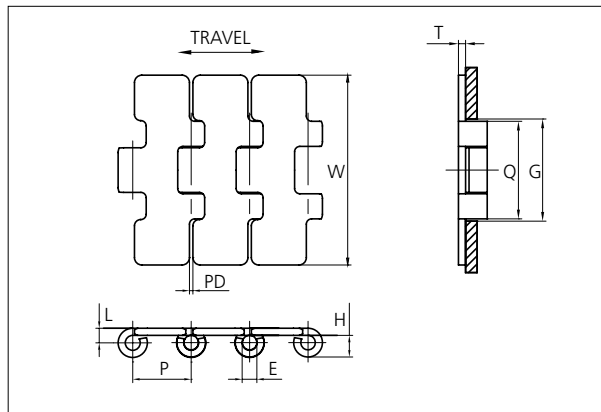
T +45 7572 3100
F +45 7572 3348
admin@unichains.com
www.unichains.com

This information is subject to alteration due to continuous development. Ammeraal Beltech will not be held liable for the incorrect use of the above stated information. This information replaces previous information. All activities performed and services rendered by Ammeraal Beltech are subject to general terms and conditions of sale and delivery, as applied by its operating companies.



Slat Top Stainless Steel Chain

Series **uni 512 PLUS⁺** Type **Single Hinge**



Slat Top Stainless Steel Chain

Straight running chain
Pitch: 25.4 mm (1.00 in)
Backflex radius:
100.0 mm (3.94 in)

Standard shipping lengths:
coils of 80 in,
3.048 m (10.0 ft)

NON STANDARD

E		G		H		L		P		Q		T		PD	
mm	in	mm	in	mm	in	mm	in	mm	in	mm	in	mm	in	mm	in
6.4	0.25	44.5	1.75	9.7	0.38	6.5	0.26	25.4	1.00	42.3	1.67	3.1	0.12	1.6	0.06

STRAIGHT RUNNING

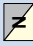
	Width (W)		Weight		Permissible tensile strength N/lbf	Chain material	Pin material*	Surface	
	mm	in	kg/m	lb/ft				Roughness	Hardness
K197	50.0	1.97	2.20	1.48	3000 / 674	S420 35 (Special Work hardened Chrome-nickel ferritic Stainless Steel)	AISI 431 (Work hardened magnetic Stainless Steel)	< 0.3 µm	30 HRC
K217	55.0	2.17	2.29	1.54					
K236	60.0	2.36	2.41	1.62					
K250	63.5	2.50	2.49	1.67					
K283	72.0	2.83	2.65	1.78					
K325	82.6	3.25	2.86	1.92					
K350	88.9	3.50	3.01	2.02					
K400	101.6	4.00	3.26	2.19					

* Chains with special hardened pin (HP) for additional wear resistance and higher corrosion strength are made to order.

PITCH 38.1 MM/1.50 IN

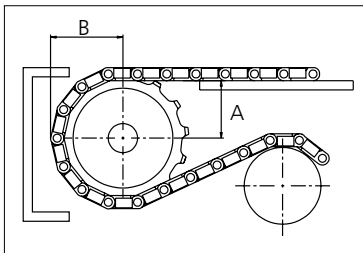


Sprocket

No. of teeth	Pitch diameter		Overall diameter		Min. ϕ bore		Max. ϕ bore		Dimension A		Dimension B		 Machined PA6
	mm	in	mm	in	mm	in	mm	in	mm	in	mm	in	
Z19	154.3	6.08	154.3	6.07	20.0	0.80	90.0	3.54	69.61	2.74	83.66	3.29	✓
Z21	170.4	6.71	170.4	6.71	20.0	0.80	110.0	4.33	77.76	3.06	91.71	3.61	✓
Z23	186.5	7.34	186.5	7.34	20.0	0.80	120.0	4.72	85.90	3.38	99.77	3.93	✓
Z25	202.7	7.98	202.7	7.98	20.0	0.80	140.0	5.51	94.03	3.70	107.83	4.25	✓
Z27	218.8	8.61	218.8	8.61	20.0	0.80	160.0	6.30	102.16	4.02	115.90	4.56	✓
Z29	235.0	9.25	234.9	9.25	20.0	0.80	170.0	6.69	110.27	4.34	123.96	4.88	✓
Z31	251.1	9.88	251.1	9.89	20.0	0.80	190.0	7.48	118.39	4.66	132.06	5.20	✓
Z33	267.2	10.52	267.2	10.52	20.0	0.80	200.0	7.87	126.50	4.98	140.11	5.52	✓

Non standard material and color:
See uni Material and Color Overview.

Machined sprocket



Please ensure that sufficient size shaft and keyway are chosen for corresponding load.

Other sprocket sizes are available upon request
 Width of tooth: 42.3 mm/1.67 in
 Width of sprocket: 42.3 mm/1.67 in
 uni Retainer Rings: See uni Retainer Ring data sheet
 uni Idler: See uni Idler data sheet
 uni Guide Rings can be mounted on cast iron and machined sprockets. See uni Guide Rings data sheet

uni 512 Plus + Single Hinge/170523



Expert advice, quality solutions and local service for all your belting needs
www.ammeraalbeltech.com

Ammeraal Beltech Modular A/S
 Hjulmagervej 21
 DK-7100 Vejle

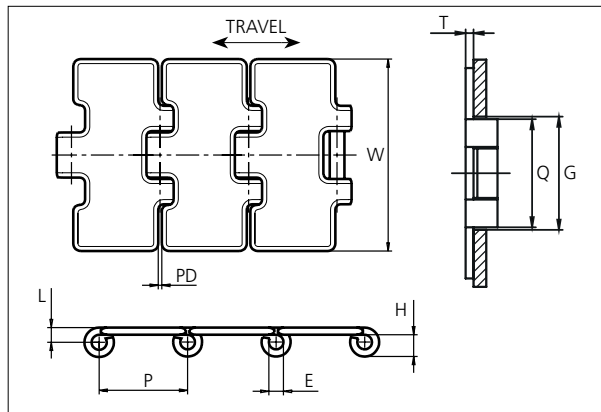
T +45 7572 3100
 F +45 7572 3348
 admin@unichains.com
 www.unichains.com

This information is subject to alteration due to continuous development. Ammeraal Beltech will not be held liable for the incorrect use of the above stated information. This information replaces previous information. All activities performed and services rendered by Ammeraal Beltech are subject to general terms and conditions of sale and delivery, as applied by its operating companies.



Slat Top Stainless Steel Chain

Series **uni 815 PLUS⁺** Type **Single Hinge**



Slat Top Stainless Steel Chain

Straight running chain
Pitch: 38.1 mm (1.50 in)
Backflex radius:
150.0 mm (5.91 in)

Standard shipping lengths:
coils of 80 in,
3.048 m (10.0 ft)

E		G		H		L		P		Q		T		PD	
mm	in	mm	in	mm	in	mm	in	mm	in	mm	in	mm	in	mm	in
6.4	0.25	44.5	1.75	9.9	0.39	6.5	0.26	38.1	1.50	42.5	1.67	3.0	0.12	1.6	0.06

Width (W)		Weight		Permissible tensile strength N/lbf	Chain material	Pin material*	Surface		
mm	in	kg/m	lb/ft				Roughness	Hardness	
K225	57.1	2.25	2.18	3000 / 674	S420 35 (Special Work hardened Crome-nickel ferritic Stainless Steel)	AISI 431 (Work hardened magnetic Stainless Steel)	< 0.3 μm	30 HRC	
K250	63.5	2.50	2.25						1.51
K263	66.7	2.63	2.33						1.57
K275	69.9	2.75	2.35						1.58
K300	76.2	3.00	2.50						1.68
K350	88.9	3.50	2.75						1.85

* Chains with special hardened pin (HP) for additional wear resistance and higher corrosion strength are made to order.

NON STANDARD

STRAIGHT RUNNING

PITCH 38.1 MM/1.50 IN



Sprocket

No. of teeth	Pitch diameter		Overall diameter		Min. ø bore		Max. ø bore		Hub diameter		Dimension A		Dimension B		Molded PA6 LG	Molded Cast Iron	Machined PA6
	mm	in	mm	in	mm	in	mm	in	mm	in	mm	in	mm	in			
Z13	82.0	3.22	79	3.11	20	0.8	40	1.6	n/a	n/a	29.8	1.17	48.1	1.89		✓	
Z19	117.3	4.62	117	4.61	20	0.8	40	1.6	58	2.28	58.7	2.31	64.5	2.54	✓	✓	
Z21	129.2	5.09	130	5.12	20	0.8	40	1.6	58	2.28	65	2.56	70.5	2.78	✓	✓	
Z23	141.2	5.56	142	5.59	20	0.8	40	1.6	58	2.28	71.2	2.80	76.5	3.01	✓	✓	
Z25	153.2	6.03	155	6.10	20	0.8	40	1.6	58	2.28	77.4	3.05	82.5	3.25	✓	✓	
Z27	165.2	6.50	167	6.57	20	0.8	70	2.8	n/a	n/a	83.6	3.29	88.5	3.48		✓	✓
Z29	177.2	6.98	179	7.05	20	0.8	70	2.8	n/a	n/a	89.8	3.54	94.6	3.72		✓	✓
Z31	189.3	7.45	192	7.56	20	0.8	70	2.8	n/a	n/a	95.9	3.78	100.6	3.96		✓	✓

Two part sprocket

No. of teeth	Pitch diameter		Overall diameter		Min. ø bore		Max. ø bore		Hub diameter		Dimension A		Dimension B		Molded PA6 LG
	mm	in	mm	in	mm	in	mm	in	mm	in	mm	in	mm	in	
Z19	117.3	4.62	117.0	4.61	20.0	0.79	40.0	1.57	58.0	2.28	58.7	2.31	64.5	2.54	✓
Z21	129.2	5.09	130.0	5.12	20.0	0.79	40.0	1.57	58.0	2.28	65.0	2.56	70.5	2.78	✓
Z23	141.2	5.56	142.0	5.59	20.0	0.79	40.0	1.57	58.0	2.28	71.2	2.80	76.5	3.01	✓
Z25	153.2	6.03	155.0	6.10	20.0	0.79	40.0	1.57	58.0	2.28	77.4	3.05	82.5	3.25	✓

Molded sprocket



Cast iron sprocket



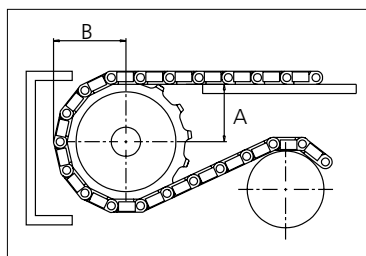
Machined sprocket



Two part sprocket



Non standard material and color:
See uni Material and Color Overview.



Please ensure that sufficient size shaft and keyway are chosen for corresponding load.

Other sprocket sizes are available upon request

Width of tooth: 42.3 mm/1.67 in

Width of sprocket: 42.3 mm/1.67 in

uni Retainer Rings: See uni Retainer Ring data sheet

uni Idler: See uni Idler data sheet

uni Guide Rings can be mounted on cast iron and machined sprockets. See uni Guide Rings data sheet



Conveyor Belts



Seamless Belts



Modular Belts



Timing Belts



Transmission Belts



Fabrication & service

Expert advice, quality solutions and local service for all your belting needs
www.ammeraalbeltech.com

Ammeraal Beltech Modular A/S
Hjulmagervej 21
DK-7100 Vejle

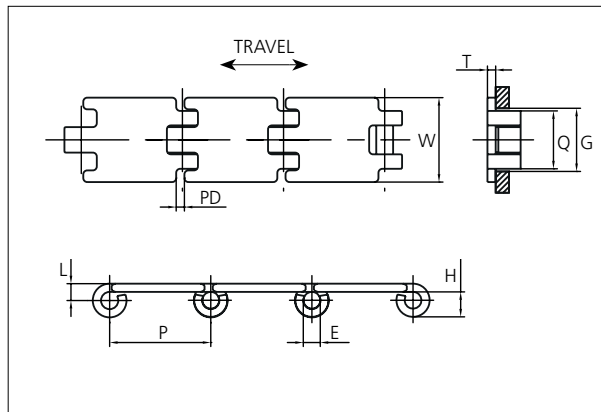
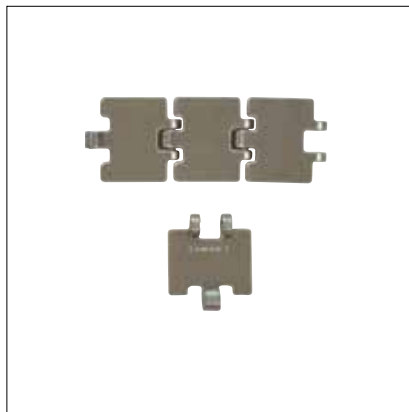
T +45 7572 3100
F +45 7572 3348
admin@unichains.com
www.unichains.com

This information is subject to alteration due to continuous development. Ammeraal Beltech will not be held liable for the incorrect use of the above stated information. This information replaces previous information. All activities performed and services rendered by Ammeraal Beltech are subject to general terms and conditions of sale and delivery, as applied by its operating companies.



Slat Top Stainless Steel Chain

Series **uni 815 PLUS⁺** Type **Single Hinge Narrow**



Slat Top Stainless Steel Chain

Straight running chain
Pitch: 38.1 mm (1.50 in)
Backflex radius:
150.0 mm (5.91 in)

Standard shipping lengths:
coils of 80 in,
3.048 m (10.0 ft)

NON STANDARD

E		G		H		L		P		Q		T		PD	
mm	in	mm	in	mm	in	mm	in	mm	in	mm	in	mm	in	mm	in
6.4	0.25	23.8	0.94	9.9	0.39	6.5	0.26	38.1	1.50	21.8	0.86	3.0	0.12	2.8	0.11

STRAIGHT RUNNING


	Width (W)		Weight		Permissible tensile strength N/lbf	Chain material	Pin material*	Surface	
	mm	in	kg/m	lb/ft				Roughness	Hardness
K125	31.8	1.25	1.10	0.74	1500 / 337	S420 35 (Special Work hardened Chrome-nickel ferritic Stainless Steel)	AISI 431 (Work hardened magnetic Stainless Steel)	< 0.3 µm	30 HRC
K175	44.5	1.75	1.30	0.87					

PITCH 38.1 MM/1.50 IN

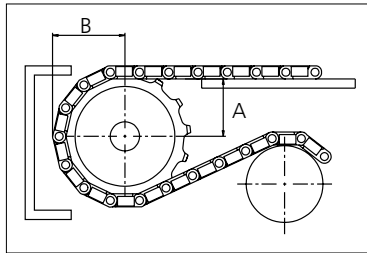
* Chains with special hardened pin (HP) for additional wear resistance and higher corrosion strength are made to order.



Sprocket

No. of teeth	Pitch diameter		Overall diameter		Min. ϕ bore		Max. ϕ bore		Dimension A		Dimension B		 Machined PA6
	mm	in	mm	in	mm	in	mm	in	mm	in	mm	in	
Z13	82.0	3.22	79.0	3.11	20	0.8	40	1.6	29.8	1.17	48.1	1.89	✓
Z19	117.3	4.62	117.0	4.61	20	0.8	40	1.6	58.7	2.31	64.5	2.54	✓
Z21	129.2	5.09	130.0	5.12	20	0.8	40	1.6	65	2.56	70.5	2.78	✓
Z23	141.2	5.56	142.0	5.59	20	0.8	40	1.6	71.2	2.80	76.5	3.01	✓
Z25	153.2	6.03	155.0	6.10	20	0.8	40	1.6	77.4	3.05	82.5	3.25	✓
Z27	165.2	6.50	167.0	6.57	20	0.8	70	2.8	83.6	3.29	88.5	3.48	✓
Z29	177.2	6.98	179.0	7.05	20	0.8	70	2.8	89.8	3.54	94.6	3.72	✓
Z31	189.3	7.45	192.0	7.56	20	0.8	70	2.8	95.9	3.78	100.6	3.96	✓

Machined sprocket



Please ensure that sufficient size shaft and keyway are chosen for corresponding load.

Non standard material and color:
See uni Material and Color Overview.

Other sprocket sizes are available upon request

Width of tooth: 21.8 mm/0.86 in

Width of sprocket: 21.8 mm/0.86 in

uni Retainer Rings: See uni Retainer Ring data sheet

uni Idler: See uni Idler data sheet

uni Guide Rings can be mounted on cast iron and machined sprockets. See uni Guide Rings data sheet

uni 815 Plus + Single Hinge Narrow/160624



Conveyor Belts



Seamless Belts



Modular Belts



Timing Belts



Transmission Belts



Fabrication & service

Expert advice, quality solutions and local service for all your belting needs
www.ammeraalbeltech.com

Ammeraal Beltech Modular A/S
Hjulmagervej 21
DK-7100 Vejle

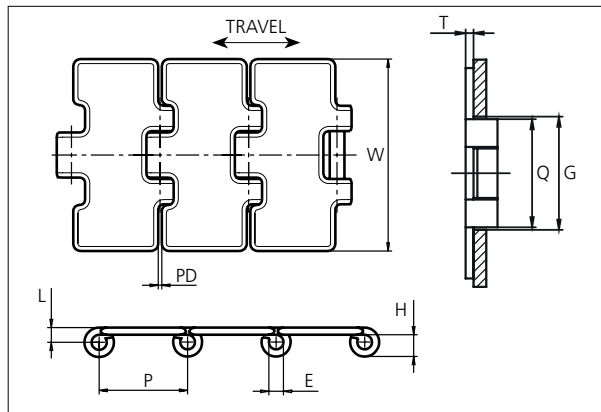
T +45 7572 3100
F +45 7572 3348
admin@unichains.com
www.unichains.com

This information is subject to alteration due to continuous development. Ammeraal Beltech will not be held liable for the incorrect use of the above stated information. This information replaces previous information. All activities performed and services rendered by Ammeraal Beltech are subject to general terms and conditions of sale and delivery, as applied by its operating companies.



Slat Top Stainless Steel Chain

Series **uni 815 PLUS⁺** Type **Single Hinge Optical**



Slat Top Stainless Steel Chain

Straight running chain
Pitch: 38.1 mm (1.50 in)
Backflex radius:
150.0 mm (5.91 in)

Standard shipping lengths:
coils of 80 in
= 3.048 m (10.0 ft)

NON STANDARD

E		G		H		L		P		Q		T		PD	
mm	in	mm	in	mm	in	mm	in	mm	in	mm	in	mm	in	mm	in
6.4	0.25	44.5	1.75	9.9	0.39	6.5	0.26	38.1	1.50	42.5	1.67	3.0	0.12	1.6	0.06

STRAIGHT RUNNING

	Width (W)		Weight		Permissible tensile strength N/lbf	Chain material	Pin material*	Surface	
	mm	in	kg/m	lb/ft				Roughness	Hardness
K325	82.6	3.25	2.65	1.78	3000 / 674	S420 35 (Special Work hardened Chrome-nickel ferritic Stainless Steel)	AISI 431 (Work hardened magnetic Stainless Steel)	< 0.18 µm	30 HRC
K330	83.8	3.30	2.70	1.81					

PITCH 38.1 MM/1.50 IN

* Chains with special hardened pin (HP) for additional wear resistance and higher corrosion strength are made to order.



Sprocket

No. of teeth	Pitch diameter		Overall diameter		Min. ø bore		Max. ø bore		Hub diameter		Dimension A		Dimension B		Molded PA6 LG	Molded Cast Iron	Machined PA6 N
	mm	in	mm	in	mm	in	mm	in	mm	in	mm	in	mm	in			
Z13	82.0	3.22	79.0	3.11	20	0.8	40	1.6	n/a	n/a	29.8	1.17	48.1	1.89		✓	
Z19	117.3	4.62	117.0	4.61	20	0.8	40	1.6	58	2.28	58.7	2.31	64.5	2.54	✓		
Z21	129.2	5.09	130.0	5.12	20	0.8	40	1.6	58	2.28	65	2.56	70.5	2.78	✓		
Z23	141.2	5.56	142.0	5.59	20	0.8	40	1.6	58	2.28	71.2	2.80	76.5	3.01	✓		
Z25	153.2	6.03	155.0	6.10	20	0.8	40	1.6	58	2.28	77.4	3.05	82.5	3.25	✓		
Z27	165.2	6.50	167.0	6.57	20	0.8	70	2.8	n/a	n/a	83.6	3.29	88.5	3.48		✓	✓
Z29	177.2	6.98	179.0	7.05	20	0.8	70	2.8	n/a	n/a	89.8	3.54	94.6	3.72		✓	✓
Z31	189.3	7.45	192.0	7.56	20	0.8	70	2.8	n/a	n/a	95.9	3.78	100.6	3.96		✓	✓

Two part sprocket

No. of teeth	Pitch diameter		Overall diameter		Min. ø bore		Max. ø bore		Hub diameter		Dimension A		Dimension B		Molded PA6 LG
	mm	in	mm	in	mm	in	mm	in	mm	in	mm	in	mm	in	
Z19	117.3	4.62	117.0	4.61	20.0	0.79	40.0	1.57	58.0	2.28	58.7	2.31	64.5	2.54	✓
Z21	129.2	5.09	130.0	5.12	20.0	0.79	40.0	1.57	58.0	2.28	65.0	2.56	70.5	2.78	✓
Z23	141.2	5.56	142.0	5.59	20.0	0.79	40.0	1.57	58.0	2.28	71.2	2.80	76.5	3.01	✓
Z25	153.2	6.03	155.0	6.10	20.0	0.79	40.0	1.57	58.0	2.28	77.4	3.05	82.5	3.25	✓

Molded sprocket



Cast iron sprocket



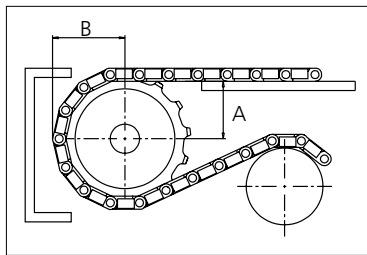
Machined sprocket



Two part sprocket



Non standard material and color:
See uni Material and Color Overview.



Please ensure that sufficient size shaft and keyway are chosen for corresponding load.

Other sprocket sizes are available upon request

Width of tooth: 42.3 mm/1.67 in

Width of sprocket: 42.3 mm/1.67 in

uni Retainer Rings: See uni Retainer Ring data sheet

uni Idler: See uni Idler data sheet

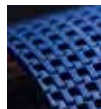
uni Guide Rings can be mounted on cast iron and machined sprockets. See uni Guide Rings data sheet



Conveyor Belts



Seamless Belts



Modular Belts



Timing Belts



Transmission Belts



Fabrication & service

Expert advice, quality solutions and local service for all your belting needs
www.ammeraalbeltech.com

Ammeraal Beltech Modular A/S
Hjulmagervej 21
DK-7100 Vejle

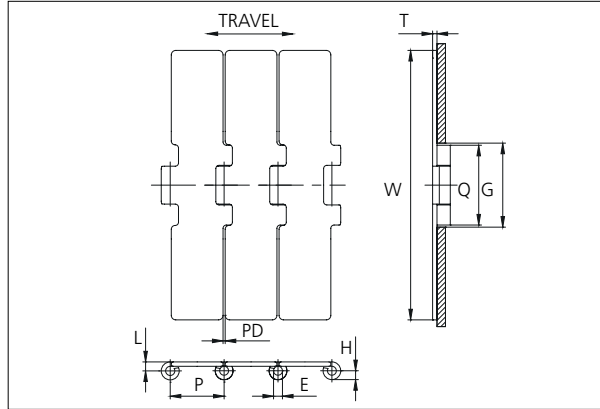
T +45 7572 3100
F +45 7572 3348
admin@unichains.com
www.unichains.com

This information is subject to alteration due to continuous development. Ammeraal Beltech will not be held liable for the incorrect use of the above stated information. This information replaces previous information. All activities performed and services rendered by Ammeraal Beltech are subject to general terms and conditions of sale and delivery, as applied by its operating companies.



Slat Top Stainless Steel Chain

Series **uni 8127 PLUS⁺** Type **Single Hinge Wide**



Slat Top Stainless Steel Chain

Straight running chain
Pitch: 38.1 mm (1.50 in)
Backflex radius:
150.0 mm (5.91 in)

Standard shipping lengths:
coils of 80 in,
3.048 m (10.0 ft)

NON STANDARD

E		G		H		L		P		Q		T		PD	
mm	in	mm	in	mm	in	mm	in	mm	in	mm	in	mm	in	mm	in
6.4	0.25	60.0	2.36	9.7	0.38	6.5	0.26	25.4	1.00	57.0	2.24	3.0	0.12	1.6	0.06

STRAIGHT RUNNING


	Width (W)		Weight		Permissible tensile strength N/lbf	Chain material	Pin material*	Surface	
	mm	in	kg/m	lb/ft				Roughness	Hardness
K750	190.5	7.50	5.1	3.43	3000 / 674	S420 35 (Special Work hardened Chrome-nickel ferritic Stainless Steel)	AISI 431 (Work hardened magnetic Stainless Steel)	< 0.3 μm	30 HRC

PITCH 38.1 MM/1.50 IN

* Chains with special hardened pin (HP) for additional wear resistance and higher corrosion strength are made to order.

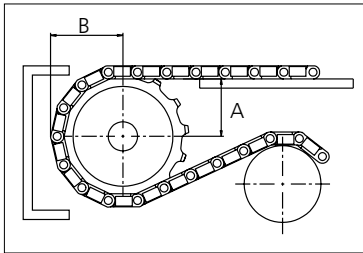


Sprocket

No. of teeth	Pitch diameter		Overall diameter		Min. ϕ bore		Max. ϕ bore		Dimension A		Dimension B		Machined  PA6
	mm	in	mm	in	mm	in	mm	in	mm	in	mm	in	
Z13	82.0	3.22	79.0	3.11	20	0.8	40	1.6	29.8	1.17	48.1	1.89	
Z19	117.3	4.62	117.0	4.61	20	0.8	40	1.6	58.7	2.31	64.5	2.54	
Z21	129.2	5.09	130.0	5.12	20	0.8	40	1.6	65.0	2.56	70.5	2.78	
Z23	141.2	5.56	142.0	5.59	20	0.8	40	1.6	71.2	2.80	76.5	3.01	
Z25	153.2	6.03	155.0	6.10	20	0.8	40	1.6	77.4	3.05	82.5	3.25	
Z27	165.2	6.50	167.0	6.57	20	0.8	70	2.8	83.6	3.29	88.5	3.48	✓
Z29	177.2	6.98	179.0	7.05	20	0.8	70	2.8	89.8	3.54	94.6	3.72	✓
Z31	189.3	7.45	192.0	7.56	20	0.8	70	2.8	95.9	3.78	100.6	3.96	✓

Non standard material and color:
See uni Material and Color Overview.

Machined sprocket



Please ensure that sufficient size shaft and keyway are chosen for corresponding load.

Other sprocket sizes are available upon request

Width of tooth: 57.0 mm/12.24 in

Width of sprocket: 57.0 mm/12.24 in

uni Retainer Rings: See uni Retainer Ring data sheet

uni Idler: See uni Idler data sheet

uni Guide Rings can be mounted on cast iron and machined sprockets. See uni Guide Rings data sheet

uni 8127 Plus + Single Hinge Wide/160624



Conveyor Belts



Seamless Belts



Modular Belts



Timing Belts



Transmission Belts



Fabrication & service

Expert advice, quality solutions and local service for all your belting needs
www.ammeraalbeltech.com

Ammeraal Beltech Modular A/S
Hjulmagervej 21
DK-7100 Vejle

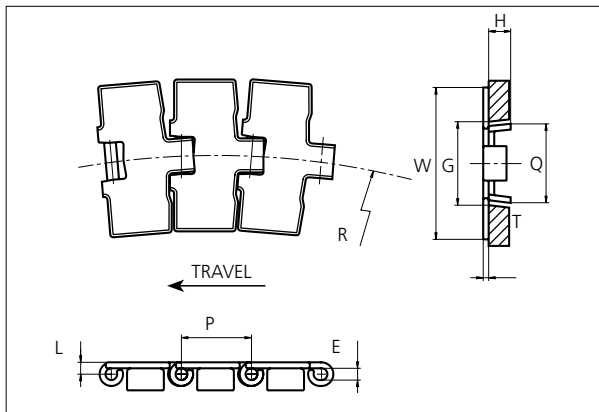
T +45 7572 3100
F +45 7572 3348
admin@unichains.com
www.unichains.com

This information is subject to alteration due to continuous development. Ammeraal Beltech will not be held liable for the incorrect use of the above stated information. This information replaces previous information. All activities performed and services rendered by Ammeraal Beltech are subject to general terms and conditions of sale and delivery, as applied by its operating companies.



Slat Top Stainless Steel Chain

Series **uni 8811 PLUS⁺** Type **Bevel**



Slat Top Stainless Steel Chain

Side flexing chain
Pitch: 38.1 mm (1.50 in)
Backflex radius:
76.2 mm (3.00 in)

Standard shipping lengths:
coils of 80 in
= 3.048 m (10.0 ft)

E		G		H		J		K		L		P		Q		T	
mm	in	mm	in	mm	in	mm	in	mm	in	mm	in	mm	in	mm	in	mm	in
6.4	0.25	44.5	1.75	16.3	0.64	56.2	2.21	12.7	0.50	6.5	0.26	38.1	1.50	43.0	1.69	3.0	0.12

	Width (W)		Min. radius (R)		Weight		Permissible tensile strength N/lbf	Chain material	Pin material*	Surface	
	mm	in	mm	in	kg/m	lb/ft				Roughness	Hardness
K325	82.6	3.25	500	19.69	3.10	2.08	3000 / 674	S420 35 (Special Work hardened Crome-nickel ferritic Stainless Steel)	AISI 431 (Work hardened magnetic Stainless Steel)	< 0.3 µm	30 HRC
K450	114.3	4.50	610	24.02	3.80	2.55					
K750	190.5	7.50	610	24.02	5.50	3.70					

* Chains with special hardened pin (HP) for additional wear resistance and higher corrosion strength are made to order.

NON STANDARD

SIDE FLEXING

PITCH 38.1 MM/1.50 IN



Sprocket

No of teeth	Pitch diameter		Overall-diameter		Min. ø bore		Max. ø bore		Hub-diameter		Dimension A		Dimension B		Molded PA6 LG	Molded Cast Iron	Machined PA6 LG
	mm	in	mm	in	mm	in	mm	in	mm	in	mm	in	mm	in			
Z19	117.3	4.62	117.0	4.61	20.0	0.79	40.0	1.57	58.0	2.28	58.7	2.31	64.5	2.54	✓	✓	
Z21	129.2	5.09	130.0	5.12	20.0	0.79	40.0	1.57	58.0	2.28	65.0	2.56	70.5	2.78	✓	✓	
Z23	141.2	5.56	142.0	5.59	20.0	0.79	40.0	1.57	58.0	2.28	71.2	2.80	76.5	3.01	✓	✓	
Z25	153.2	6.03	155.0	6.10	20.0	0.79	40.0	1.57	58.0	2.28	77.4	3.05	82.5	3.25	✓	✓	
Z27	165.2	6.50	167.0	6.57	20.0	0.79	70.0	2.76	n/a	n/a	83.6	3.29	88.5	3.48		✓	✓
Z29	177.2	6.98	179.0	7.05	20.0	0.79	70.0	2.76	n/a	n/a	89.8	3.54	94.6	3.72		✓	✓
Z31	189.3	7.45	192.0	7.56	20.0	0.79	70.0	2.76	n/a	n/a	95.9	3.78	100.6	3.96		✓	✓

Two part sprocket

No of teeth	Pitch diameter		Overall-diameter		Min. ø bore		Max. ø bore		Hub-diameter		Dimension A		Dimension B		Molded PA6 LG
	mm	in	mm	in	mm	in	mm	in	mm	in	mm	in	mm	in	
Z19	117.3	4.62	117.0	4.61	20.0	0.79	40.0	1.57	58.0	2.28	58.7	2.31	64.5	2.54	✓
Z21	129.2	5.09	130.0	5.12	20.0	0.79	40.0	1.57	58.0	2.28	65.0	2.56	70.5	2.78	✓
Z23	141.2	5.56	142.0	5.59	20.0	0.79	40.0	1.57	58.0	2.28	71.2	2.80	76.5	3.01	✓
Z25	153.2	6.03	155.0	6.10	20.0	0.79	40.0	1.57	58.0	2.28	77.4	3.05	82.5	3.25	✓

Molded sprocket



Cast iron sprocket



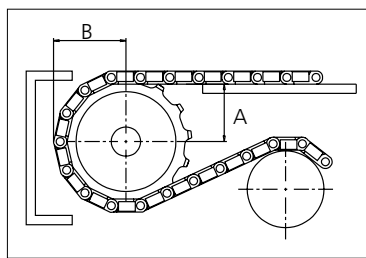
Machined sprocket



Two part sprocket



Non standard material and color:
See uni Material and Color Overview.



Please ensure that sufficient size shaft and keyway are chosen for corresponding load.

Other sprocket sizes are available upon request
Width of tooth: 31.8 mm/1.25 in
Width of sprocket: 42.3 mm/1.67 in
uni Retainer Rings: See uni Retainer Ring data sheet
uni Idler: See uni Idler data sheet

uni 8811 Plus+ Bevel_MTO/160624



Expert advice, quality solutions and local service for all your belting needs
www.ammeraalbeltech.com

Ammeraal Beltech Modular A/S
Hjulmagervej 21
DK-7100 Vejle

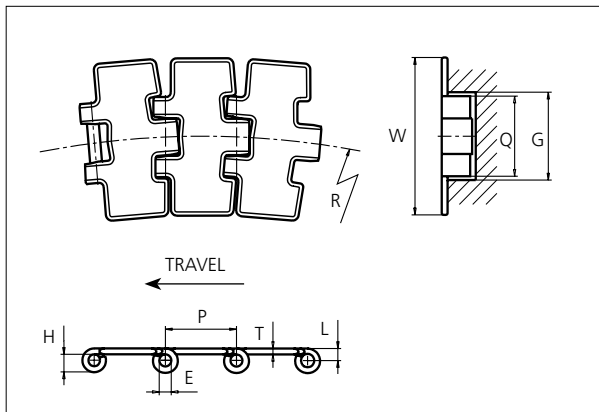
T +45 7572 3100
F +45 7572 3348
admin@unichains.com
www.unichains.com

This information is subject to alteration due to continuous development. Ammeraal Beltech will not be held liable for the incorrect use of the above stated information. This information replaces previous information. All activities performed and services rendered by Ammeraal Beltech are subject to general terms and conditions of sale and delivery, as applied by its operating companies.



Slat Top Stainless Steel Chain

Series **uni 8811 PLUS⁺** Type **Magnetic**



Slat Top Stainless Steel Chain

Side flexing chain
Pitch: 38.1 mm (1.50 in)
Backflex radius:
76.2 mm (3.00 in)

Standard shipping lengths:
coils of 80 in
= 3.048 m (10.0 ft)

E		G		H		L		P		Q		T	
mm	in	mm	in	mm	in	mm	in	mm	in	mm	in	mm	in
6.4	0.25	44.0	1.73	9.9	0.39	6.5	0.26	38.1	1.50	42.2	1.66	3.0	0.12

	Width (W)		Min. radius (R)		Weight		Permissible tensile strength N/lbf	Chain material	Pin material*	Surface	
	mm	in	mm	in	kg/m	lb/ft				Roughness	Hardness
K450	114.3	4.50	500	19.69	3.20	2.15	3000 / 674	S420 35 (Special Work hardened Crome-nickel ferritic Stainless Steel)	AISI 431 (Work hardened magnetic Stainless Steel)	< 0.3 μm	30 HRC
K750	190.5	7.50			4.90	3.29					

* Chains with special hardened pin (HP) for additional wear resistance and higher corrosion strength are made to order.

NON STANDARD

SIDE FLEXING

PITCH 38.1 MM/1.50 IN



Sprocket

No of teeth	Pitch diameter		Overall-diameter		Min. ø bore		Max. ø bore		Hub-diameter		Dimension A		Dimension B		Molded PA6 LG	Molded Cast Iron	Machined PA6
	mm	in	mm	in	mm	in	mm	in	mm	in	mm	in	mm	in			
Z19	117.3	4.62	117.0	4.61	20.0	0.79	40.0	1.57	58.0	2.28	58.7	2.31	64.5	2.54	✓	✓	
Z21	129.2	5.09	130.0	5.12	20.0	0.79	40.0	1.57	58.0	2.28	65.0	2.56	70.5	2.78	✓	✓	
Z23	141.2	5.56	142.0	5.59	20.0	0.79	40.0	1.57	58.0	2.28	71.2	2.80	76.5	3.01	✓	✓	
Z25	153.2	6.03	155.0	6.10	20.0	0.79	40.0	1.57	58.0	2.28	77.4	3.05	82.5	3.25	✓	✓	
Z27	165.2	6.50	167.0	6.57	20.0	0.79	70.0	2.76	n/a	n/a	83.6	3.29	88.5	3.48		✓	✓
Z29	177.2	6.98	179.0	7.05	20.0	0.79	70.0	2.76	n/a	n/a	89.8	3.54	94.6	3.72		✓	✓
Z31	189.3	7.45	192.0	7.56	20.0	0.79	70.0	2.76	n/a	n/a	95.9	3.78	100.6	3.96		✓	✓

Two part sprocket

No of teeth	Pitch diameter		Overall-diameter		Min. ø bore		Max. ø bore		Hub-diameter		Dimension A		Dimension B		Molded PA6 LG
	mm	in	mm	in	mm	in	mm	in	mm	in	mm	in	mm	in	
Z19	117.3	4.62	117.0	4.61	20.0	0.79	40.0	1.57	58.0	2.28	58.7	2.31	64.5	2.54	✓
Z21	129.2	5.09	130.0	5.12	20.0	0.79	40.0	1.57	58.0	2.28	65.0	2.56	70.5	2.78	✓
Z23	141.2	5.56	142.0	5.59	20.0	0.79	40.0	1.57	58.0	2.28	71.2	2.80	76.5	3.01	✓
Z25	153.2	6.03	155.0	6.10	20.0	0.79	40.0	1.57	58.0	2.28	77.4	3.05	82.5	3.25	✓

Molded sprocket



Cast iron sprocket



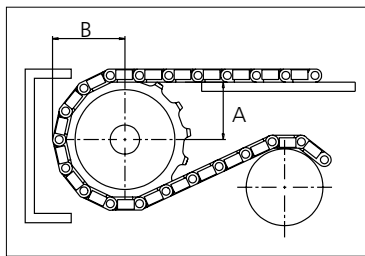
Machined sprocket



Two part sprocket



Non standard material and color:
See uni Material and Color Overview.



Please ensure that sufficient size shaft and keyway are chosen for corresponding load.

Other sprocket sizes are available upon request

Width of tooth: 31.8 mm/1.25 in

Width of sprocket: 42.3 mm/1.67 in

uni Retainer Rings: See uni Retainer Ring data sheet

uni Idler: See uni Idler data sheet

uni Guide Rings can be mounted on cast iron and machined sprockets. See uni Guide Rings data sheet



Conveyor Belts



Seamless Belts



Modular Belts



Timing Belts



Transmission Belts



Fabrication & service

Expert advice, quality solutions and local service for all your belting needs
www.ammeraalbeltech.com

Ammeraal Beltech Modular A/S
Hjulmagervej 21
DK-7100 Vejle

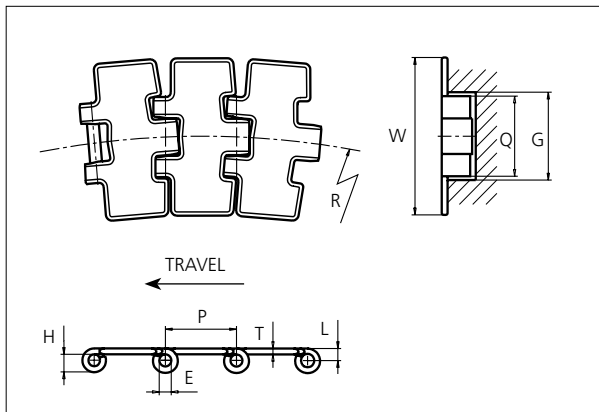
T +45 7572 3100
F +45 7572 3348
admin@unichains.com
www.unichains.com

This information is subject to alteration due to continuous development. Ammeraal Beltech will not be held liable for the incorrect use of the above stated information. This information replaces previous information. All activities performed and services rendered by Ammeraal Beltech are subject to general terms and conditions of sale and delivery, as applied by its operating companies.



Slat Top Stainless Steel Chain

Series **uni 8811 PLUS⁺** Type **Magnetic Optical**



Slat Top Stainless Steel Chain

Side flexing chain
Pitch: 38.1 mm (1.50 in)
Backflex radius:
76.2 mm (3.00 in)

Standard shipping lengths:
coils of 80 in
= 3.048 m (10.0 ft)

NON STANDARD

E		G		H		L		P		Q		T	
mm	in	mm	in	mm	in	mm	in	mm	in	mm	in	mm	in
6.4	0.25	44.0	1.73	9.9	0.39	6.5	0.26	38.1	1.50	42.2	1.66	3.0	0.12

SIDE FLEXING

	Width (W)		Min. radius (R)		Weight		Permissible tensile strength N/lbf	Chain material	Pin material*	Surface	
	mm	in	mm	in	kg/m	lb/ft				Roughness	Hardness
K325	82.6	3.25	500	19.69	2.50	1.68	3000 / 674	S420 35 (Special Work hardened Chrome-nickel ferritic Stainless Steel)	AISI 431 (Work hardened magnetic Stainless Steel)	< 0.2 μm	30 HRC
K330	83.8	3.30	500	19.69	2.65	1.78					

* Chains with special hardened pin (HP) for additional wear resistance and higher corrosion strength are made to order.

PITCH 38.1 MM/1.50 IN



Sprocket

No of teeth	Pitch diameter		Overall-diameter		Min. ø bore		Max. ø bore		Hub-diameter		Dimension A		Dimension B		Molded PA6 LG	Molded Cast Iron	Machined PA6
	mm	in	mm	in	mm	in	mm	in	mm	in	mm	in	mm	in			
Z19	117.3	4.62	117.0	4.61	20.0	0.79	40.0	1.57	58.0	2.28	58.7	2.31	64.5	2.54	✓	✓	
Z21	129.2	5.09	130.0	5.12	20.0	0.79	40.0	1.57	58.0	2.28	65.0	2.56	70.5	2.78	✓	✓	
Z23	141.2	5.56	142.0	5.59	20.0	0.79	40.0	1.57	58.0	2.28	71.2	2.80	76.5	3.01	✓	✓	
Z25	153.2	6.03	155.0	6.10	20.0	0.79	40.0	1.57	58.0	2.28	77.4	3.05	82.5	3.25	✓	✓	
Z27	165.2	6.50	167.0	6.57	20.0	0.79	70.0	2.76	n/a	n/a	83.6	3.29	88.5	3.48		✓	✓
Z29	177.2	6.98	179.0	7.05	20.0	0.79	70.0	2.76	n/a	n/a	89.8	3.54	94.6	3.72		✓	✓
Z31	189.3	7.45	192.0	7.56	20.0	0.79	70.0	2.76	n/a	n/a	95.9	3.78	100.6	3.96		✓	✓

Two part sprocket

No of teeth	Pitch diameter		Overall-diameter		Min. ø bore		Max. ø bore		Hub-diameter		Dimension A		Dimension B		Molded PA6 LG
	mm	in	mm	in	mm	in	mm	in	mm	in	mm	in	mm	in	
Z19	117.3	4.62	117.0	4.61	20.0	0.79	40.0	1.57	58.0	2.28	58.7	2.31	64.5	2.54	✓
Z21	129.2	5.09	130.0	5.12	20.0	0.79	40.0	1.57	58.0	2.28	65.0	2.56	70.5	2.78	✓
Z23	141.2	5.56	142.0	5.59	20.0	0.79	40.0	1.57	58.0	2.28	71.2	2.80	76.5	3.01	✓
Z25	153.2	6.03	155.0	6.10	20.0	0.79	40.0	1.57	58.0	2.28	77.4	3.05	82.5	3.25	✓

Molded sprocket



Cast iron sprocket



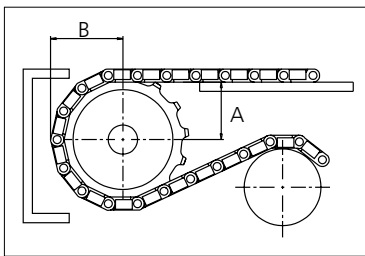
Machined sprocket



Two part sprocket



Non standard material and color:
See uni Material and Color Overview.



Please ensure that sufficient size shaft and keyway are chosen for corresponding load.

Other sprocket sizes are available upon request

Width of tooth: 42.3 mm/1.67 in

Width of sprocket: 42.3 mm/1.67 in

uni Retainer Rings: See uni Retainer Ring data sheet

uni Idler: See uni Idler data sheet

uni Guide Rings can be mounted on cast iron and machined sprockets. See uni Guide Rings data sheet



Conveyor Belts



Seamless Belts



Modular Belts



Timing Belts



Transmission Belts



Fabrication & service

Expert advice, quality solutions and local service for all your belting needs
www.ammeraalbeltech.com

Ammeraal Beltech Modular A/S
Hjulmagervej 21
DK-7100 Vejle

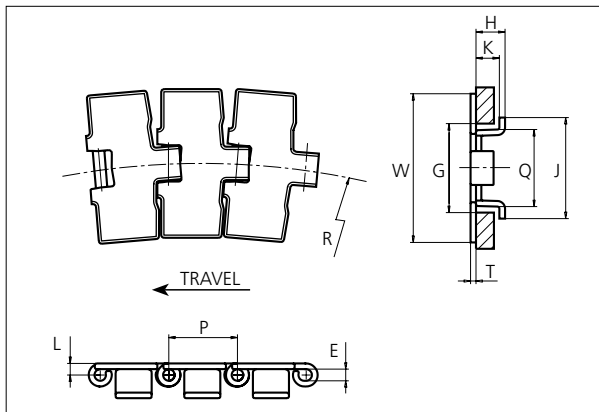
T +45 7572 3100
F +45 7572 3348
admin@unichains.com
www.unichains.com

This information is subject to alteration due to continuous development. Ammeraal Beltech will not be held liable for the incorrect use of the above stated information. This information replaces previous information. All activities performed and services rendered by Ammeraal Beltech are subject to general terms and conditions of sale and delivery, as applied by its operating companies.



Slat Top Stainless Steel Chain

Series **uni 8811 PLUS⁺** Type **Tab**



Slat Top Stainless Steel Chain

Side flexing chain
Pitch: 38.1 mm (1.50 in)
Backflex radius:
76.2 mm (3.00 in)

Standard shipping lengths:
coils of 80 in
= 3.048 m (10.0 ft)

NON STANDARD

E		G		H		J		K		L		P		Q		T	
mm	in	mm	in	mm	in	mm	in	mm	in	mm	in	mm	in	mm	in	mm	in
6.4	0.25	44.5	1.75	16.3	0.64	56.2	2.21	12.7	0.50	6.5	0.26	38.1	1.50	43.0	1.69	3.0	0.12

SIDE FLEXING

	Width (W)		Min. radius (R)		Weight		Permissible tensile strength N/lbf	Chain material	Pin material*	Surface	
	mm	in	mm	in	kg/m	lb/ft				Roughness	Hardness
K330	83.8	3.30	500	19.69	3.15	2.08	3000 / 5674	S420 35 (Special Work hardened Crome-nickel ferritic Stainless Steel)	AISI 431 (Work hardened magnetic Stainless Steel)	< 0.3 µm	30 HRC
K350	88.9	3.50	500	19.69	3.30	2.22					
K450	114.3	4.50	610	24.02	3.80	2.55					
K750	190.5	7.50	610	24.02	5.50	3.70					

* Chains with special hardened pin (HP) for additional wear resistance and higher corrosion strength are made to order.

PITCH 38.1 MM/1.50 IN



Sprocket

No of teeth	Pitch diameter		Overall-diameter		Min. ø bore		Max. ø bore		Hub-diameter		Dimension A		Dimension B		Molded PA6 LG	Molded Cast Iron	Machined PA6 LG
	mm	in	mm	in	mm	in	mm	in	mm	in	mm	in	mm	in			
Z19	117.3	4.62	117.0	4.61	20.0	0.79	40.0	1.57	58.0	2.28	58.7	2.31	64.5	2.54	✓	✓	
Z21	129.2	5.09	130.0	5.12	20.0	0.79	40.0	1.57	58.0	2.28	65.0	2.56	70.5	2.78	✓	✓	
Z23	141.2	5.56	142.0	5.59	20.0	0.79	40.0	1.57	58.0	2.28	71.2	2.80	76.5	3.01	✓	✓	
Z25	153.2	6.03	155.0	6.10	20.0	0.79	40.0	1.57	58.0	2.28	77.4	3.05	82.5	3.25	✓	✓	
Z27	165.2	6.50	167.0	6.57	20.0	0.79	70.0	2.76	n/a	n/a	83.6	3.29	88.5	3.48		✓	✓
Z29	177.2	6.98	179.0	7.05	20.0	0.79	70.0	2.76	n/a	n/a	89.8	3.54	94.6	3.72		✓	✓
Z31	189.3	7.45	192.0	7.56	20.0	0.79	70.0	2.76	n/a	n/a	95.9	3.78	100.6	3.96		✓	✓

Two part sprocket

No of teeth	Pitch diameter		Overall-diameter		Min. ø bore		Max. ø bore		Hub-diameter		Dimension A		Dimension B		Molded PA6 LG
	mm	in	mm	in	mm	in	mm	in	mm	in	mm	in	mm	in	
Z19	117.3	4.62	117.0	4.61	20.0	0.79	40.0	1.57	58.0	2.28	58.7	2.31	64.5	2.54	✓
Z21	129.2	5.09	130.0	5.12	20.0	0.79	40.0	1.57	58.0	2.28	65.0	2.56	70.5	2.78	✓
Z23	141.2	5.56	142.0	5.59	20.0	0.79	40.0	1.57	58.0	2.28	71.2	2.80	76.5	3.01	✓
Z25	153.2	6.03	155.0	6.10	20.0	0.79	40.0	1.57	58.0	2.28	77.4	3.05	82.5	3.25	✓

Molded sprocket



Cast iron sprocket



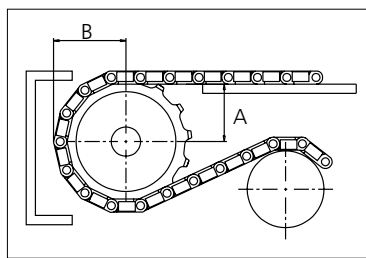
Machined sprocket



Two part sprocket



Non standard material and color:
See uni Material and Color Overview.



Please ensure that sufficient size shaft and keyway are chosen for corresponding load.

Other sprocket sizes are available upon request
Width of tooth: 31.8 mm/1.25 in
Width of sprocket: 42.3 mm/1.67 in
uni Retainer Rings: See uni Retainer Ring data sheet
uni Idler: See uni Idler data sheet



Conveyor Belts



Seamless Belts



Modular Belts



Timing Belts



Transmission Belts



Fabrication & service

Expert advice, quality solutions and local service for all your belting needs
www.ammeraalbeltech.com

Ammeraal Beltech Modular A/S
Hjulmagervej 21
DK-7100 Vejle

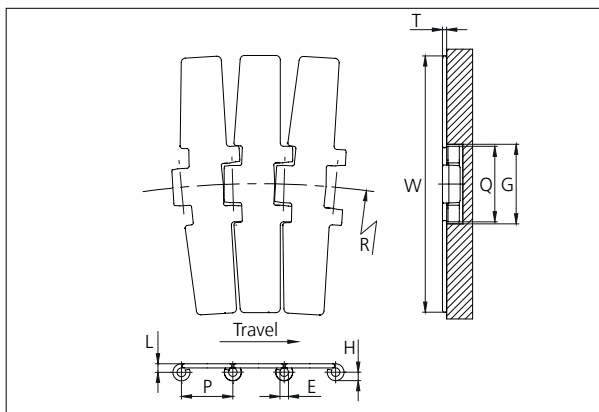
T +45 7572 3100
F +45 7572 3348
admin@unichains.com
www.unichains.com

This information is subject to alteration due to continuous development. Ammeraal Beltech will not be held liable for the incorrect use of the above stated information. This information replaces previous information. All activities performed and services rendered by Ammeraal Beltech are subject to general terms and conditions of sale and delivery, as applied by its operating companies.



Slat Top Stainless Steel Chain

Series **uni 8817 PLUS⁺** Type **Magnetic Wide**



Slat Top Stainless Steel Chain

Side flexing chain
Pitch: 38.1 mm (1.50 in)
Backflex radius:
76.2 mm (3.00 in)

Standard shipping lengths:
coils of 80 in
= 3.048 m (10.0 ft)

E		G		H		L		P		Q		T	
mm	in	mm	in	mm	in	mm	in	mm	in	mm	in	mm	in
6.4	0.25	60.0	2.36	9.9	0.39	6.5	0.26	38.1	1.50	57.0	2.24	3.0	0.12

	Width (W)		Min. radius (R)		Weight		Permissible tensile strength N/lbf	Chain material	Pin material*	Surface	
	mm	in	mm	in	kg/m	lb/ft				Roughness	Hardness
K750	190.0	7.50	750	29.53	5.03	3.38	3000 / 674	S420 35 (Special Work hardened Chrome-nickel ferritic Stainless Steel)	AISI 431 (Work hardened magnetic Stainless Steel)	< 0.3 µm	30 HRC

* Chains with special hardened pin (HP) for additional wear resistance and higher corrosion strength are made to order.


NON STANDARD

SIDE FLEXING

PITCH 38.1 MM/1.50 IN

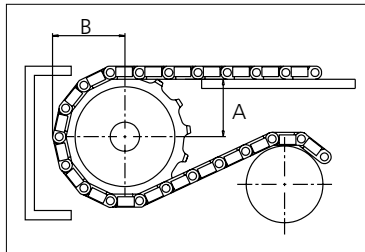


Sprocket

No of teeth	Pitch diameter		Overall-diameter		Min. ø bore		Max. ø bore		Dimension A		Dimension B		 Machined PA6
	mm	in	mm	in	mm	in	mm	in	mm	in	mm	in	
Z19	117.3	4.62	117.0	4.61	20.0	0.79	40.0	1.57	58.7	2.31	64.5	2.54	✓
Z21	129.2	5.09	130.0	5.12	20.0	0.79	40.0	1.57	65.0	2.56	70.5	2.78	✓
Z23	141.2	5.56	142.0	5.59	20.0	0.79	40.0	1.57	71.2	2.80	76.5	3.01	✓
Z25	153.2	6.03	155.0	6.10	20.0	0.79	40.0	1.57	77.4	3.05	82.5	3.25	✓
Z27	165.2	6.50	167.0	6.57	20.0	0.79	70.0	2.76	83.6	3.29	88.5	3.48	✓
Z29	177.2	6.98	179.0	7.05	20.0	0.79	70.0	2.76	89.8	3.54	94.6	3.72	✓
Z31	189.3	7.45	192.0	7.56	20.0	0.79	70.0	2.76	95.9	3.78	100.6	3.96	✓

Non standard material and color:
See uni Material and Color Overview.

Machined sprocket



Please ensure that sufficient size shaft and keyway are chosen for corresponding load.

Other sprocket sizes are available upon request

Width of tooth: 57.0 mm/2.24 in

Width of sprocket: 57.0 mm/2.24 in

uni Retainer Rings: See uni Retainer Ring data sheet

uni Idler: See uni Idler data sheet

uni Guide Rings can be mounted on cast iron and machined sprockets. See uni Guide Rings data sheet



Conveyor Belts



Seamless Belts



Modular Belts



Timing Belts



Transmission Belts



Fabrication & service

Expert advice, quality solutions and local service for all your belting needs
www.ammeraalbeltech.com

Ammeraal Beltech Modular A/S
Hjulmagervej 21
DK-7100 Vejle

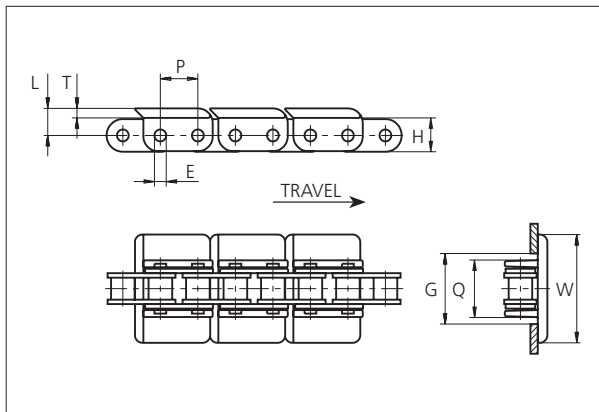
T +45 7572 3100
F +45 7572 3348
admin@unichains.com
www.unichains.com

This information is subject to alteration due to continuous development. Ammeraal Beltech will not be held liable for the incorrect use of the above stated information. This information replaces previous information. All activities performed and services rendered by Ammeraal Beltech are subject to general terms and conditions of sale and delivery, as applied by its operating companies.



Snap-On Plastic Chain

Series **uni 843** Type -



Snap-On Plastic Chain
 Straight running chain
 Pitch: 12.7 mm (0.50 in)
 Backflex radius: 100.0 mm (3.90 in)
 Permissible tensile strength:
 SS304: 1500 N (340 lbf)
 Carbon steel: 2000 N (450 lbf)
 Standard shipping lengths:
 No. of roller chain links/box:
 480 = 6.096 m (20.0 ft)
 No. of flights/box:
 240 = 6.096 m (20.0 ft)
 uni 843-K325: No. of roller chain links/box: 240 = 3.048 m (10.0 ft)
 No of flights/box:
 120 = 3.048 m (10.0 ft)

E		G		H		L		P		Q		T	
mm	in	mm	in	mm	in	mm	in	mm	in	mm	in	mm	in
4.0	0.16	20.5	0.81	11.5	0.45	9.1	0.36	12.7	0.50	19.1	0.75	3.2	0.13

All dimensions are for chains in POM material.

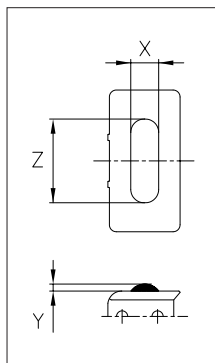
All Snap-On versions can be delivered either with a stainless steel chain (SS304) or a carbon steel chain.

	Width (W)		Recommended flight material & color	Recommended chain material	Weight	
	mm	in			kg/m	lb/ft
K100	25.4	1.00	POM-DI G POM-LFI BR	SS304 or Carbon steel	0.8	0.54
K138	34.9	1.37	POM-DI G POM-LFI BR	SS304 or Carbon steel	0.8	0.54
K144	36.4	1.43	POM-DI G POM-LFI BR	SS304 or Carbon steel	0.8	0.54
K175	44.4	1.75	POM-DI G POM-LFI BR	SS304 or Carbon steel	0.8	0.54
K200	50.8	2.00	POM-DI G POM-LFI BR	SS304 or Carbon steel	0.9	0.60
K250	63.5	2.50	POM-DI G POM-LFI BR	SS304 or Carbon steel	0.9	0.60
K325	82.6	3.25	POM-DI G POM-LFI BR	SS304 or Carbon steel	1.0	0.67

Non standard material and color: See uni Material and Color Overview.

Accessories

Rubber Top



When ordering, please state the required distance between the Rubber Top.

Other Non Standard rubber profiles: See uni Rubber Profile Overview.

Width	Link material	Rubber material	Z		X		Y	
			mm	in	mm	in	mm	in
K100	POM-LFI BR	05 I	12.0	0.47	10.0	0.39	2.5	0.10
K138	POM-LFI BR	05 I	25.0	0.98	10.0	0.39	2.5	0.10
K144	POM-LFI BR	05 I	30.0	1.18	10.0	0.39	2.5	0.10
K175	POM-LFI BR	05 I	30.0	1.18	10.0	0.39	2.5	0.10
K200	POM-LFI BR	05 I	30.0	1.18	10.0	0.39	2.5	0.10
K250	POM-LFI BR	05 I	30.0	1.18	10.0	0.39	2.5	0.10
K325	POM-LFI BR	05 I	30.0	1.18	10.0	0.39	2.5	0.10



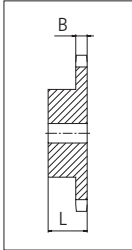
NON STANDARD

STRAIGHT RUNNING

PITCH 12.7 MM/0.50 IN

Sprocket

No. of teeth	Pitch diameter		Hub diameter		Overall width L		Tooth width B		tBore		Machined S1045
	mm	in	mm	in	mm	in	mm	in	mm	in	
Z18	73.1	2.88	56.0	2.20	28.0	1.10	7.2	0.28	12.0	0.47	✓
Z25	101.3	3.99	70.0	2.76	28.0	1.10	7.2	0.28	14.0	0.55	✓



Please ensure that sufficient size shaft and keyway are chosen for corresponding load.

Non standard material and color:
See uni Material and Color Overview.

Other sprocket sizes are available upon request
uni Retainer Rings: See uni Retainer Ring data sheet

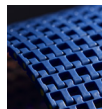
uni 843/170922



Conveyor Belts



Seamless Belts



Modular Belts



Timing Belts



Transmission Belts



Fabrication & service

Solid advice
For all your belting needs
Local stock & service
www.ammeraalbeltech.com

Ammeraal Beltech Modular A/S
Hjulmagervej 21
DK-7100 Vejle

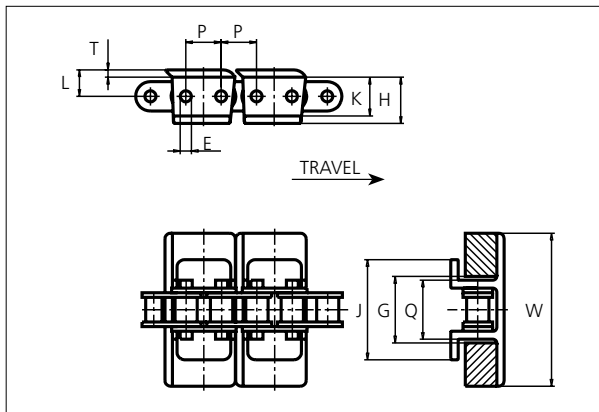
T +45 7572 3100
F +45 7572 3348
admin@unichains.com
www.unichains.com

This information is subject to alteration due to continuous development. Ammeraal Beltech will not be held liable for the incorrect use of the above stated information. This information replaces previous information. All activities performed and services rendered by Ammeraal Beltech are subject to general terms and conditions of sale and delivery, as applied by its operating companies.



Snap-On Plastic Chain

Series **uni 863** Type **Tab**



Snap-On Plastic Chain
 Straight running chain
 Pitch: 19.1 mm (0.75 in)
 Backflex radius: 150.0 mm (5.90 in)
 Permissible tensile strength:
 uni 863 Tab with (SS304) stainless steel chain: 2700 N (600 lbf)
 uni 863 Tab with carbon steel chain: 5500 N (1200 lbf)

Standard shipping lengths:
 No. of roller chain links/box: 160 = 3.048 m (10.0 ft)
 No. of flights/box: 80 = 3.048 m (10.0 ft)

STANDARD

E		G		H		K		L		P		Q		T	
mm	in	mm	in	mm	in	mm	in	mm	in	mm	in	mm	in	mm	in
6.0	0.24	34.9	1.37	25.1	0.99	20.9	0.82	14.3	0.56	19.1	0.75	31.9	1.25	4.0	0.16

All dimensions are for chains in POM material.

All Snap-On versions can be delivered either with a stainless steel chain (SS304) or a carbon steel chain.

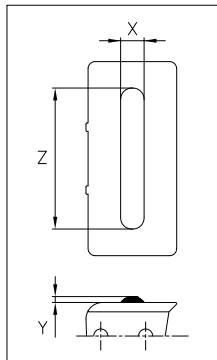
	Width (W)		Flight material & color	Chain material		Weight	
	mm	in				kg/m	lb/ft
K250	63.5	2.50	-	-	-	-	-
K287	73.0	2.87	-	-	-	-	-
K325	82.6	3.25	POM-DI G	SS304	SS430	2.2	1.48
K450	114.3	4.50	-	-	-	-	-
K500	127.0	5.0	-	-	-	-	-
K600	152.4	6.0	-	-	-	-	-
K700	177.8	7.0	-	-	-	-	-
K1000	254.0	10.0	-	-	-	-	-

STRAIGHT RUNNING

Non standard material and color: See uni Material and Color Overview.

Accessories

Rubber Top



Width	Link material	Rubber material	Z		X		Y	
			mm	in	mm	in	mm	in
K325	POM-DI G	05 I	60.0	2.36	10.0	0.39	2.5	0.10

When ordering, please state the required distance between the Rubber Top.

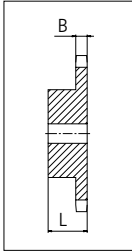
Other Non Standard rubber profiles: See uni Rubber Profile Overview.



PITCH 19.1 MM/0.75 IN

Sprocket

No. of teeth	Pitch diameter		Hub diameter		Overall width L		Tooth width B		Bore		Machined S1045
	mm	in	mm	in	mm	in	mm	in	mm	in	
Z19	115.7	4.56	80.0	3.15	35.0	1.38	11.7	0.46	16.0	0.63	✓
Z20	121.8	4.79	80.0	3.15	35.0	1.38	11.7	0.46	16.0	0.63	✓
Z25	152.0	5.98	90.0	3.54	40.0	1.57	11.7	0.46	20.0	0.79	✓



Please ensure that sufficient size shaft and keyway are chosen for corresponding load.

Non standard material and color:
See uni Material and Color Overview.

Other sprocket sizes are available upon request.
uni Retainer Rings: See uni Retainer Ring data sheet.

uni 863 Tab/160620



Solid advice
For all your belting needs
Local stock & service
www.ammeraalbeltech.com

Ammeraal Beltech Modular A/S
Hjulmagervej 21
DK-7100 Vejle

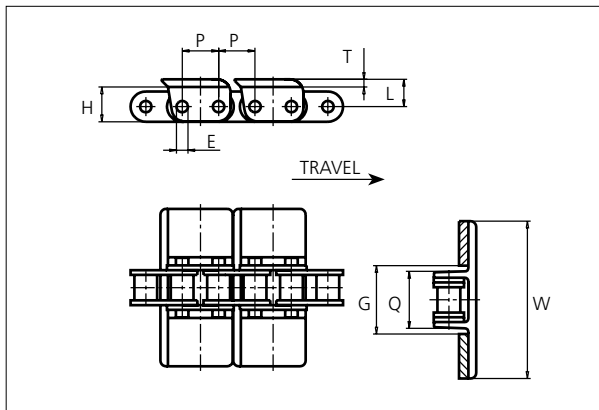
T +45 7572 3100
F +45 7572 3348
admin@unichains.com
www.unichains.com

This information is subject to alteration due to continuous development. Ammeraal Beltech will not be held liable for the incorrect use of the above stated information. This information replaces previous information. All activities performed and services rendered by Ammeraal Beltech are subject to general terms and conditions of sale and delivery, as applied by its operating companies.



Snap-On Plastic Chain

Series **uni 863** Type -



Snap-On Plastic Chain
 Straight running chain
 Pitch: 19.1 mm (0.75 in)
 Backflex radius: 150.0 mm (5.90 in)
 Permissible tensile strength:
 uni 863 with (SS304) stainless steel chain: 2700 N (600 lbf)
 uni 863 with carbon steel chain: 5500 N (1200 lbf)
 Standard shipping lengths:
 No. of roller chain links/box: 160 = 3.048 m (10.0 ft)
 No. of flights/box: 80 = 3.048 m (10.0 ft)

E		G		H		L		P		Q		T	
mm	in	mm	in	mm	in	mm	in	mm	in	mm	in	mm	in
6.0	0.24	36.5	1.44	18.6	0.73	14.3	0.56	19.1	0.75	30.5	1.20	4.0	0.16

All dimensions are for chains in POM material.

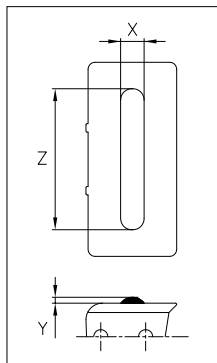
All Snap-On versions can be delivered either with a stainless steel chain (SS304) or a carbon steel chain.

	Width (W)		Flight material & color	Chain material	Weight	
	mm	in			kg/m	lb/ft
K175	44.5	1.75	-	-	-	-
K250	63.5	2.50	-	-	-	-
K325	82.6	3.25	POM-DI G	SS304 or Carbon steel	2.1	1.41
K450	114.3	4.50	POM-LFI BR	SS304 or Carbon steel	2.3	1.55
K600	152.4	6.00	-	-	-	-
K750	190.5	7.50	-	-	-	-

Non standard material and color: See uni Material and Color Overview.

Accessories

Rubber Top



When ordering, please state the required distance between the Rubber Top.

Other Non Standard rubber profiles: See uni Rubber Profile Overview.

Width	Link material	Rubber material	Z		X		Y	
			mm	in	mm	in	mm	in
K325	POM-DI G	05 I	60.0	2.36	10.0	0.39	2.5	0.10
K450	POM-LFI BR	05 I	105.0	4.13	10.0	0.39	2.5	0.10



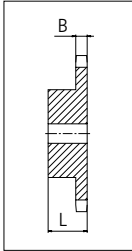
NON STANDARD

STRAIGHT RUNNING

PITCH 19.1 MM/0.75 IN

Sprocket

No. of teeth	Pitch diameter		Hub diameter		Overall width L		Tooth width B		Bore		Machined S1045
	mm	in	mm	in	mm	in	mm	in	mm	in	
Z19	115.7	4.56	80.0	3.15	35.0	1.38	11.7	0.46	16.0	0.63	✓
Z20	121.8	4.79	80.0	3.15	35.0	1.38	11.7	0.46	16.0	0.63	✓
Z25	152.0	5.98	90.0	3.54	40.0	1.57	11.7	0.46	20.0	0.79	✓



Please ensure that sufficient size shaft and keyway are chosen for corresponding load.

Non standard material and color:
See uni Material and Color Overview.

Other sprocket sizes are available upon request.
uni Retainer Rings: See uni Retainer Ring data sheet.

uni 863/170406



Expert advice, quality solutions and local service for all your belting needs
www.ammeraalbeltech.com

Ammeraal Beltech Modular A/S
Hjulmagervej 21
DK-7100 Vejle

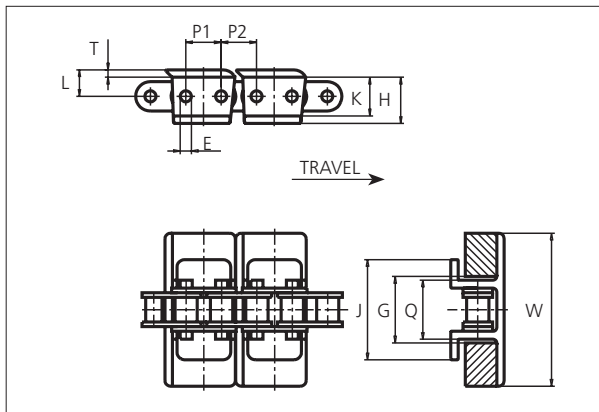
T +45 7572 3100
F +45 7572 3348
admin@unichains.com
www.unichains.com

This information is subject to alteration due to continuous development. Ammeraal Beltech will not be held liable for the incorrect use of the above stated information. This information replaces previous information. All activities performed and services rendered by Ammeraal Beltech are subject to general terms and conditions of sale and delivery, as applied by its operating companies.



Snap-On Plastic Chain

Series **uni 963** Type **Tab**



Snap-On Plastic Chain

Straight running chain
 Pitch: 19.1 mm (0.75 in)
 Backflex radius: 150.0 mm (5.90 in)
 Permissible tensile strength:
 uni 963 Tab with (SS304) stainless steel chain: 2000 N (450 lbf)
 uni 963 Tab with carbon steel chain: 4000 N (900 lbf)

Standard shipping lengths:
 No. of roller chain links/box:
 160 = 3.048 m (10.0 ft)
 No. of flights/box:
 80 = 3.048 m (10.0 ft)

E		G		H		J		K		L		P1		P2		Q		T	
mm	in	mm	in	mm	in	mm	in	mm	in	mm	in	mm	in	mm	in	mm	in	mm	in
5.1	0.20	34.9	1.37	25.1	0.99	50.8	2.00	20.9	0.82	14.3	0.56	18.1	0.71	20.1	0.79	31.9	1.25	4.0	0.16

All dimensions are for chains in POM material.

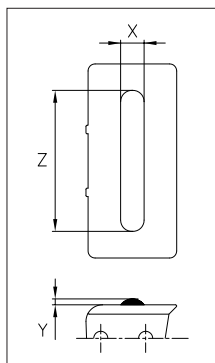
All Snap-On versions can be delivered either with a stainless steel chain (SS304) or a carbon steel chain.

	Width (W)		Recommended flight material & color	Recommended chain material	Weight	
	mm	in			kg/m	lb/ft
K250	63.5	2.50	POM-DI G POM-LFI BR	SS304 or Carbon steel	2.1	1.41
K325	82.6	3.25	POM-DI G POM-LFI BR	SS304 or Carbon steel	2.2	1.48
K450	114.3	4.50	POM-DI G POM-LFI BR	SS304 or Carbon steel	2.4	1.61
K500	127.0	5.0	POM-DI G POM-LFI BR	SS304 or Carbon steel	2.4	1.61
K1000	254.0	10.0	POM-DI G POM-LFI BR	SS304 or Carbon steel	3.2	2.15

Non standard material and color: See uni Material and Color Overview.

Accessories

Rubber Top



When ordering, please state the required distance between the Rubber Top.

Other Non Standard rubber profiles: See uni Rubber Profile Overview.

Width	Link material	Rubber material	Z		X		Y	
			mm	in	mm	in	mm	in
K325	POM-LFI BR	05 I	60.0	2.36	10.0	0.39	2.5	0.10
K450	POM-LFI BR	05 I	105.0	4.13	10.0	0.39	2.5	0.10
K500	POM-LFI BR	05 I	105.0	4.13	10.0	0.39	2.5	0.10
K1000	POM-LFI BR	05 I	170.0	6.69	10.0	0.39	2.5	0.10

NON STANDARD

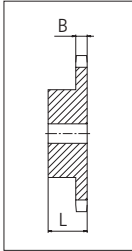
STRAIGHT RUNNING

PITCH 19.1 MM/0.75 IN



Sprocket

No of teeth	Pitch diameter		Hub diameter		Overall width L		Tooth width B		Bore		Machined S1045
	mm	in	mm	in	mm	in	mm	in	mm	in	
Z19	115.7	4.56	80.0	3.15	35.0	1.38	11.7	0.46	16.0	0.63	✓
Z20	121.8	4.79	80.0	3.15	35.0	1.38	11.7	0.46	16.0	0.63	✓
Z25	152.0	5.98	90.0	3.54	40.0	1.57	11.7	0.46	20.0	0.79	✓



Please ensure that sufficient size shaft and keyway are chosen for corresponding load.

Non standard material and color:
See uni Material and Color Overview.

Other sprocket sizes are available upon request.
uni Retainer Rings: See uni Retainer Ring data sheet.

uni 963 Tab/170922



Solid advice
For all your belting needs
Local stock & service
www.ammeraalbeltech.com

Ammeraal Beltech Modular A/S
Hjulmagervej 21
DK-7100 Vejle

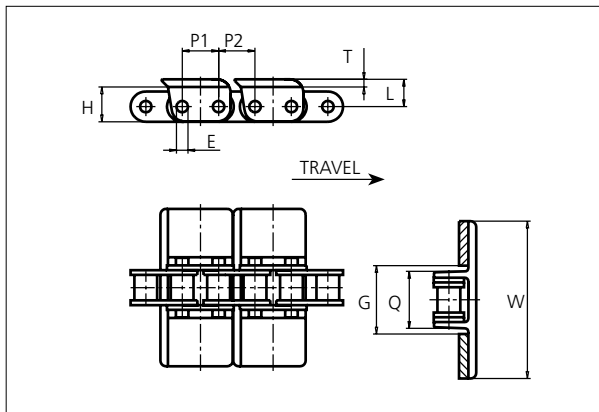
T +45 7572 3100
F +45 7572 3348
admin@unichains.com
www.unichains.com

This information is subject to alteration due to continuous development. Ammeraal Beltech will not be held liable for the incorrect use of the above stated information. This information replaces previous information. All activities performed and services rendered by Ammeraal Beltech are subject to general terms and conditions of sale and delivery, as applied by its operating companies.



Snap-On Plastic Chain

Series **uni 963** Type -



Snap-On Plastic Chain
 Straight running chain
 Pitch: 19.1 mm (0.75 in)
 Backflex radius: 150.0 mm (5.90 in)
 Permissible tensile strength:
 uni 963 with (SS304) stainless steel chain: 2000 N (450 lbf)
 uni 963 with carbon steel chain: 4000 N (900 lbf)
 Standard shipping lengths:
 No. of roller chain links/box:
 160 = 3.048 m (10.0 ft)
 No. of flights/box:
 80 = 3.048 m (10.0 ft)

E		G		H		L		P1		P2		Q		T	
mm	in	mm	in	mm	in	mm	in	mm	in	mm	in	mm	in	mm	in
5.1	0.20	36.5	1.44	18.6	0.73	14.3	0.56	18.1	0.71	20.1	0.79	30.5	1.20	4.0	0.16

All dimensions are for chains in POM material.

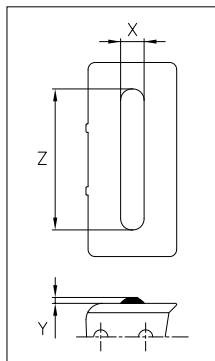
All Snap-On versions can be delivered either with a stainless steel chain (SS304) or a carbon steel chain.

	Width (W)		Flight material & color	Chain material	Weight	
	mm	in			kg/m	lb/ft
K325	82.6	3.25	-	-	-	-
K450	114.3	4.50	-	-	-	-
K600	152.4	6.00	-	-	-	-
K750	190.5	7.50	-	-	-	-

Non standard material and color: See uni Material and Color Overview.

Accessories

Rubber Top



Width	Link material	Rubber material	Z		X		Y	
			mm	in	mm	in	mm	in
K325	POM-LFI BR	05 I	60.0	2.36	10.0	0.39	2.5	0.10

When ordering, please state the required distance between the Rubber Top.

Other Non Standard rubber profiles: See uni Rubber Profile Overview.



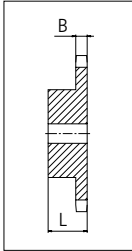
NON STANDARD

STRAIGHT RUNNING

PITCH 19.1 MM/0.75 IN

Sprocket

No of teeth	Pitch diameter		Hub diameter		Overall width L		Tooth width B		Bore		Machined S1045
	mm	in	mm	in	mm	in	mm	in	mm	in	
Z19	115.7	4.56	80.0	3.15	35.0	1.38	11.7	0.46	16.0	0.63	✓
Z20	121.8	4.79	80.0	3.15	35.0	1.38	11.7	0.46	16.0	0.63	✓
Z25	152.0	5.98	90.0	3.54	40.0	1.57	11.7	0.46	20.0	0.79	✓



Please ensure that sufficient size shaft and keyway are chosen for corresponding load.

Non standard material and color:
See uni Material and Color Overview.

Other sprocket sizes are available upon request.
uni Retainer Rings: See uni Retainer Ring data sheet.

uni 963/160621



Solid advice
For all your belting needs
Local stock & service
www.ammeraalbeltech.com

Ammeraal Beltech Modular A/S
Hjulmagervej 21
DK-7100 Vejle

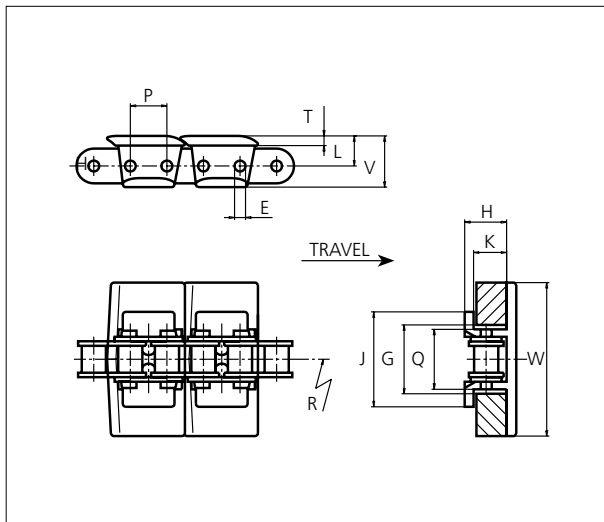
T +45 7572 3100
F +45 7572 3348
admin@unichains.com
www.unichains.com

This information is subject to alteration due to continuous development. Ammeraal Beltech will not be held liable for the incorrect use of the above stated information. This information replaces previous information. All activities performed and services rendered by Ammeraal Beltech are subject to general terms and conditions of sale and delivery, as applied by its operating companies.



Snap-On Plastic Chain

Series **uni 1843** Type -



Snap-On Plastic Chain

Side flexing chain
 Pitch: 12.7 mm (0.50 in)
 Backflex radius: 155.0 mm (6.10 in)
 Permissible tensile strength:
 uni 1843 with (SS304) stainless steel chain: 1500 N (340 lbf)
 uni 1843 with carbon steel chain: 2000 N (450 lbf)
 Standard shipping lengths:
 No. of roller chain links/box: 480 = 6.096 m (20.0 ft)
 No. of flights/box: 240 = 6.096 m (20.0 ft)
 uni 1843-K325: No. of roller chain links/box: 240 = 3.048 m (10.0 ft)
 No of flights/box: 120 = 3.048 m (10.0 ft)

E		G		H		J		K		L		P		Q		T		V	
mm	in	mm	in	mm	in	mm	in	mm	in	mm	in	mm	in	mm	in	mm	in	mm	in
3.6	0.14	22.0	0.87	13.8	0.54	31.4	1.24	10.8	0.43	9.3	0.37	12.7	0.50	19.8	0.78	3.3	0.13	17.1	0.67

All dimensions are for chains in POM material.

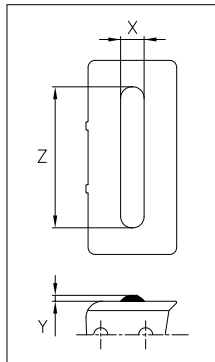
All Snap-On versions can be delivered either with a stainless steel chain (SS304) or a carbon steel chain.

	Width (W)		Flight material & color	Chain material	Weight		Min. radius R	
	mm	in			kg/m	lb/ft	mm	in
K125	31.5	1.25	POM-LFI BR	SS304 or Carbon steel	0.8	0.54	254.0	10.00
K150	37.9	1.50	-	-	-	-	-	-
K200	50.6	2.00	POM-LFI BR	SS304 or Carbon steel	0.9	0.60	254.0	10.00
K325	82.6	3.25	POM-LFI BR	SS304 or Carbon steel	1.0	0.67	254.0	10.00

Non standard material and color: See uni Material and Color Overview.

Accessories

Rubber Top / NON STANDARD



When ordering, please state the required distance between the Rubber Top.

Other Non Standard rubber profiles: See uni Rubber Profile Overview.

Width	Recommended link material	Recommended rubber material	Z		X		Y	
			mm	in	mm	in	mm	in
K125	POM-LFI BR	05 I	25.0	0.98	10.0	0.39	3.0	0.12
K150	POM-LFI BR	05 I	30.0	1.18	10.0	0.39	1.0	0.04
K200	POM-LFI BR	05 I	40.0	1.57	10.0	0.39	0.5	0.02
K325	POM-LFI BR	05 I	60.0	2.32	10.0	0.39	5.0	0.20



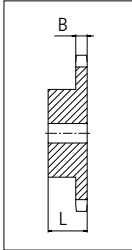
STANDARD

SIDE FLEXING

PITCH 12.7 MM/0.50 IN

Sprocket

No of teeth	Pitch diameter		Hub diameter		Overall width L		Tooth width B		Bore		Machined S1045
	mm	in	mm	in	mm	in	mm	in	mm	in	
Z18	73.1	2.88	56.0	2.20	28.0	1.10	7.2	0.28	12.0	0.47	✓
Z25	101.3	3.99	70.0	2.76	28.0	1.10	7.2	0.28	14.0	0.55	✓



Please ensure that sufficient size shaft and keyway are chosen for corresponding load.

Non standard material and color:
See uni Material and Color Overview.

Other sprocket sizes are available upon request.
uni Retainer Rings: See uni Retainer Ring data sheet.

uni 1843 Tab/170111



Conveyor Belts



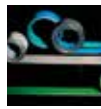
Seamless Belts



Modular Belts



Timing Belts



Transmission Belts



Fabrication & service

Solid advice
For all your belting needs
Local stock & service
www.ammeraalbeltech.com

Ammeraal Beltech Modular A/S
Hjulmagervej 21
DK-7100 Vejle

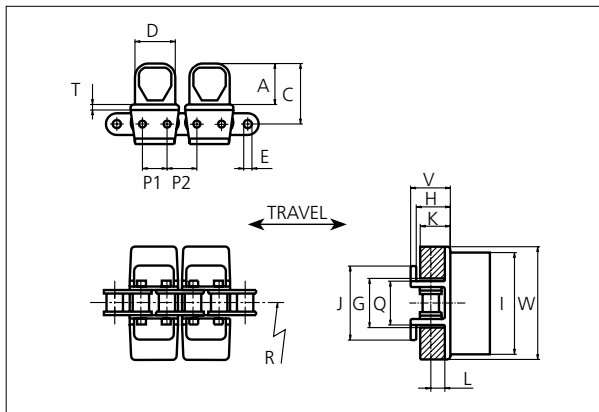
T +45 7572 3100
F +45 7572 3348
admin@unichains.com
www.unichains.com

This information is subject to alteration due to continuous development. Ammeraal Beltech will not be held liable for the incorrect use of the above stated information. This information replaces previous information. All activities performed and services rendered by Ammeraal Beltech are subject to general terms and conditions of sale and delivery, as applied by its operating companies.



Snap-On Plastic Chain

Series **uni 1873** Type **Grip D**



Snap-On Plastic Chain
 Side flexing chain
 Pitch: 19.1 mm (0.75 in)
 Backflex radius: 150.0 mm (5.90 in)
 Permissible tensile strength:
 uni 1873 Grip D (SS304) stainless steel chain: 2000 N (450 lbf)
 uni 1873 Grip D carbon steel chain: 4000 N (900 lbf)
 Standard shipping lengths:
 No. of roller chain links/box: 320 = 6.096 m (20.0 ft)
 No. of flights/box: 160 = 6.096 m (20.0 ft)

A		C		D		E		G		H		I		J	
mm	in	mm	in	mm	in	mm	in	mm	in	mm	in	mm	in	mm	in
30.0	1.18	45.3	1.78	29.6	1.17	5.1	0.20	34.9	1.37	25.9	1.02	78.5	3.09	54.4	2.14
K		L		P1		P2		Q		T		V			
mm	in	mm	in	mm	in	mm	in	mm	in	mm	in	mm	in		
20.6	0.81	10.3	0.41	18.1	0.71	20.1	0.79	31.8	1.25	5.0	0.20	30.0	1.18		

All dimensions are for chains in POM material.

All Snap-On versions can be delivered either with a stainless steel chain (SS304) or a carbon steel chain.

	Width (W)		Flight material & color	Chain material	Weight		Min. radius R	
	mm	in			kg/m	lb/ft	mm	in
K325	82.6	3.25	POM-LFI BR - 04 K	SS304 or Carbon steel	2.9	1.95	356.0	14.02

Non standard material and color: See uni Material and Color Overview.

STANDARD

SIDE FLEXING

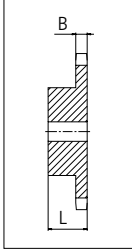
PITCH 19.1 MM/0.75 IN



Sprocket

No of teeth	Pitch diameter		Hub diameter		Overall width L		Tooth width B		Bore		Machined S1045
	mm	in	mm	in	mm	in	mm	in	mm	in	
Z19	115.7	4.56	80.0	3.15	35.0	1.38	11.7	0.46	16.0	0.63	✓
Z20	121.8	4.79	80.0	3.15	35.0	1.38	11.7	0.46	16.0	0.63	✓
Z25	152.0	5.98	90.0	3.54	40.0	1.57	11.7	0.46	20.0	0.79	✓

Non standard material and color:
See uni Material and Color Overview.



Please ensure that sufficient size shaft and keyway are chosen for corresponding load.

Other sprocket sizes are available upon request.
uni Retainer Rings: See uni Retainer Ring data sheet.

uni 1873 GRIP D/160624



Solid advice
For all your belting needs
Local stock & service
www.ammeraalbeltech.com

Ammeraal Beltech Modular A/S
Hjulmagervej 21
DK-7100 Vejle

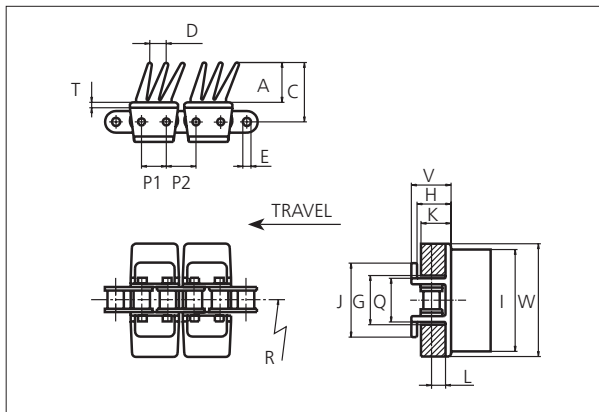
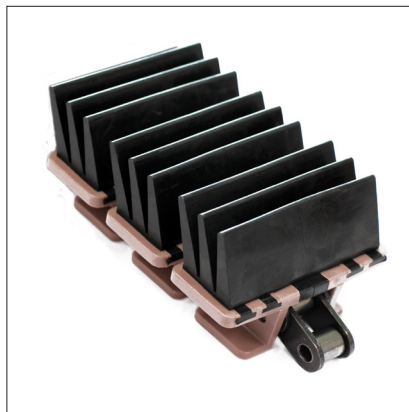
T +45 7572 3100
F +45 7572 3348
admin@unichains.com
www.unichains.com

This information is subject to alteration due to continuous development. Ammeraal Beltech will not be held liable for the incorrect use of the above stated information. This information replaces previous information. All activities performed and services rendered by Ammeraal Beltech are subject to general terms and conditions of sale and delivery, as applied by its operating companies.



Snap-On Plastic Chain

Series **uni 1873** Type **Grip G3**



Snap-On Plastic Chain

Side flexing chain
 Pitch: 19.1 mm (0.75 in)
 Backflex radius: 150.0 mm (5.90 in)
 Permissible tensile strength:
 uni 1873 Grip G3 (uni 304)
 stainless steel chain: 2000 N (450 lbf)
 uni 1873 Grip G3 carbon steel
 chain: 4000 N (900 lbf)

Standard shipping lengths:
 No. of roller chain links/box:
 320 = 6.096 m (20.0 ft)
 No. of flights/box:
 160 = 6.096 m (20.0 ft)

A		C		D		E		G		H		I		J	
mm	in	mm	in	mm	in	mm	in	mm	in	mm	in	mm	in	mm	in
29.0	1.14	44.3	1.74	12.0	0.47	5.1	0.20	34.9	1.37	25.9	1.02	75.0	2.95	54.4	2.14
K		L		P1		P2		Q		T		V			
mm	in	mm	in	mm	in	mm	in	mm	in	mm	in	mm	in		
20.6	0.81	10.3	0.41	18.1	0.71	20.1	0.79	31.8	1.25	5.0	0.20	30.0	1.18		

All dimensions are for chains in POM material.

All Snap-On versions can be delivered either with a stainless steel chain (uni 304) or a carbon steel chain.

	Width (W)		Recommended flight material & color	Recommended chain material	Weight		Min. radius R	
	mm	in			kg/m	lb/ft	mm	in
K325	82.6	3.25	POM-DI G - 01 N POM-LFI BR - 04 K	SS304 or Carbon steel	-	-	-	-

Non standard material and color: See uni Material and Color Overview.

NON STANDARD

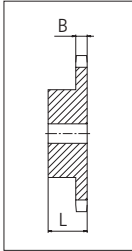
SIDE FLEXING

PITCH 19.1 MM/0.75 IN



Sprocket

No of teeth	Pitch diameter		Hub diameter		Overall width L		Tooth width B		Bore		Machined S1045
	mm	in	mm	in	mm	in	mm	in	mm	in	
Z19	115.7	4.56	80.0	3.15	35.0	1.38	11.7	0.46	16.0	0.63	✓
Z20	121.8	4.79	80.0	3.15	35.0	1.38	11.7	0.46	16.0	0.63	✓
Z25	152.0	5.98	90.0	3.54	40.0	1.57	11.7	0.46	20.0	0.79	✓

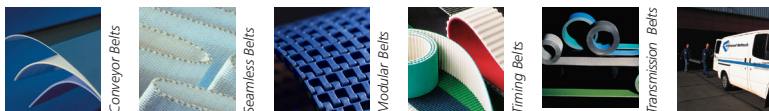


Please ensure that sufficient size shaft and keyway are chosen for corresponding load.

Non standard material and color:
See uni Material and Color Overview.

Other sprocket sizes are available upon request.
uni Retainer Rings: See uni Retainer Ring data sheet.

uni 1873 Grip G3/170922



Expert advice, quality solutions and local service for all your belting needs
www.ammeraalbeltech.com

Ammeraal Beltech Modular A/S
Hjulgagervej 21
DK-7100 Vejle

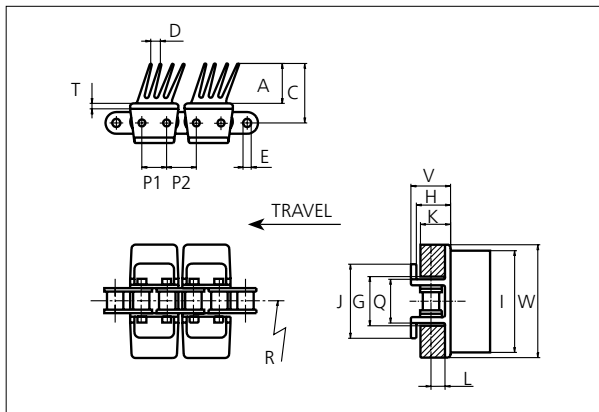
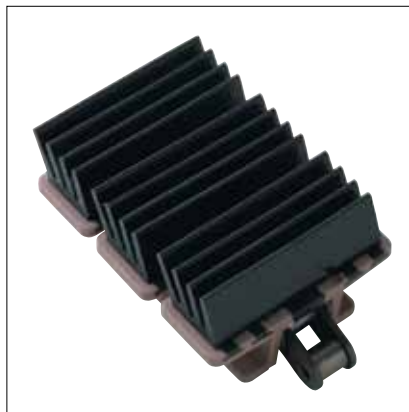
T +45 7572 3100
F +45 7572 3348
admin@unichains.com
www.unichains.com

This information is subject to alteration due to continuous development. Ammeraal Beltech will not be held liable for the incorrect use of the above stated information. This information replaces previous information. All activities performed and services rendered by Ammeraal Beltech are subject to general terms and conditions of sale and delivery, as applied by its operating companies.



Snap-On Plastic Chain

Series **uni 1873** Type **Grip G4**



Snap-On Plastic Chain
 Side flexing chain
 Pitch: 19.1 mm (0.75 in)
 Backflex radius: 150.0 mm (5.90 in)
 Permissible tensile strength:
 uni 1873 Grip G4 (SS304) stainless steel chain: 2000 N (450 lbf)
 uni 1873 Grip G4 carbon steel chain: 4000 N (900 lbf)
 Standard shipping lengths:
 No. of roller chain links/box: 320 = 6.096 m (20.0 ft)
 No. of flights/box: 160 = 6.096 m (20.0 ft)

A		C		D		E		G		H		I (K325)		I (K450)	
mm	in	mm	in	mm	in	mm	in	mm	in	mm	in	mm	in	mm	in
29.0	1.14	44.3	1.74	9.0	0.35	5.1	0.20	34.9	1.37	25.9	1.02	75.0	2.95	106.0	4.17
J		K		L		P1		P2		Q		T		V	
mm	in	mm	in	mm	in	mm	in	mm	in	mm	in	mm	in	mm	in
54.4	2.14	20.6	0.81	10.3	0.41	18.1	0.71	20.1	0.79	31.8	1.25	5.0	0.20	30.0	1.18

All dimensions are for chains in POM material.

All Snap-On versions can be delivered either with a stainless steel chain (SS304) or a carbon steel chain.

	Width (W)		Flight material & color	Chain material	Weight		Min. radius R	
	mm	in			kg/m	lb/ft	mm	in
K325	82.6	3.25	POM-LFI BR - 04 K	SS304 or Carbon steel	3.0	2.02	356.0	14.02
K450	114.3	4.50	-	-	-	-	-	-

Non standard material and color: See uni Material and Color Overview.

STANDARD

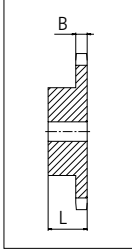
SIDE FLEXING

PITCH 19.1 MM/0.75 IN



Sprocket

No of teeth	Pitch diameter		Hub diameter		Overall width L		Tooth width B		Bore		Machined S1045
	mm	in	mm	in	mm	in	mm	in	mm	in	
Z19	115.7	4.56	80.0	3.15	35.0	1.38	11.7	0.46	16.0	0.63	✓
Z20	121.8	4.79	80.0	3.15	35.0	1.38	11.7	0.46	16.0	0.63	✓
Z25	152.0	5.98	90.0	3.54	40.0	1.57	11.7	0.46	20.0	0.79	✓



Please ensure that sufficient size shaft and keyway are chosen for corresponding load.

Non standard material and color:
See uni Material and Color Overview.

Other sprocket sizes are available upon request.
uni Retainer Rings: See uni Retainer Ring data sheet.

uni 1873 Grip G4/160621



Solid advice
For all your belting needs
Local stock & service
www.ammeraalbeltech.com

Ammeraal Beltech Modular A/S
Hjulmagervej 21
DK-7100 Vejle

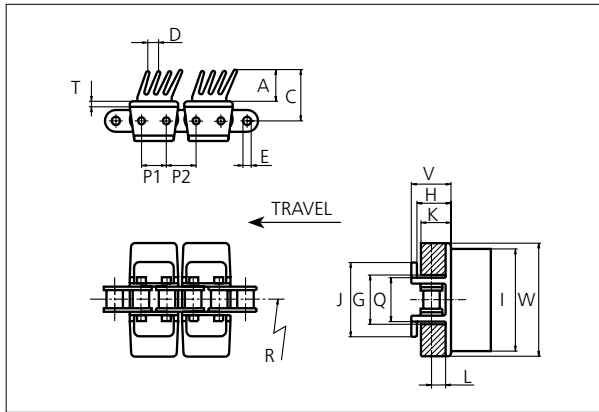
T +45 7572 3100
F +45 7572 3348
admin@unichains.com
www.unichains.com

This information is subject to alteration due to continuous development. Ammeraal Beltech will not be held liable for the incorrect use of the above stated information. This information replaces previous information. All activities performed and services rendered by Ammeraal Beltech are subject to general terms and conditions of sale and delivery, as applied by its operating companies.



Snap-On Plastic Chain

Series **uni 1873** Type **Grip G4L**



Snap-On Plastic Chain
 Side flexing chain
 Pitch: 19.1 mm (0.75 in)
 Backflex radius: 150.0 mm (5.90 in)
 Permissible tensile strength:
 uni 1873 Grip G4L (SS304) stainless steel chain: 2000 N (450 lbf)
 uni 1873 Grip G4L carbon steel chain: 4000 N (900 lbf)
 Standard shipping lengths:
 No. of roller chain links/box: 320 = 6.096 m (20.0 ft)
 No. of flights/box: 160 = 6.096 m (20.0 ft)

STANDARD

A		C		D		E		G		H		I		J	
mm	in	mm	in	mm	in	mm	in	mm	in	mm	in	mm	in	mm	in
21.0	0.83	36.3	1.43	12.0	0.47	5.1	0.20	34.9	1.37	25.9	1.02	75.0	2.95	54.4	2.14
K		L		P1		P2		Q		T		V			
mm	in	mm	in	mm	in	mm	in	mm	in	mm	in	mm	in		
20.6	0.81	10.3	0.41	18.1	0.71	20.1	0.79	31.8	1.25	5.0	0.20	30.0	1.18		

All dimensions are for chains in POM material.

All Snap-On versions can be delivered either with a stainless steel chain (SS304) or a carbon steel chain.

	Width (W)		Flight material & color	Chain material	Weight		Min. radius R	
	mm	in			kg/m	lb/ft	mm	in
K325	82.6	3.25	POM-LFI BR - 04 K	SS304 or Carbon steel	3.2	2.15	356.0	14.02

Non standard material and color: See uni Material and Color Overview.

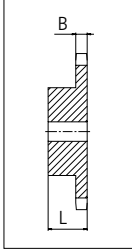
SIDE FLEXING

PITCH 19.1 MM/0.75 IN



Sprocket

No of teeth	Pitch diameter		Hub diameter		Overall width L		Tooth width B		Bore		Machined S1045
	mm	in	mm	in	mm	in	mm	in	mm	in	
Z19	115.7	4.56	80.0	3.15	35.0	1.38	11.7	0.46	16.0	0.63	✓
Z20	121.8	4.79	80.0	3.15	35.0	1.38	11.7	0.46	16.0	0.63	✓
Z25	152.0	5.98	90.0	3.54	40.0	1.57	11.7	0.46	20.0	0.79	✓



Please ensure that sufficient size shaft and keyway are chosen for corresponding load.

Non standard material and color:
See uni Material and Color Overview.

Other sprocket sizes are available upon request.
uni Retainer Rings: See uni Retainer Ring data sheet.

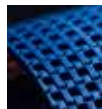
uni 1873 Grip G4L/160621



Conveyor Belts



Seamless Belts



Modular Belts



Timing Belts



Transmission Belts



Fabrication & service

Solid advice
For all your belting needs
Local stock & service
www.ammeraalbeltech.com

Ammeraal Beltech Modular A/S
Hjulmagervej 21
DK-7100 Vejle

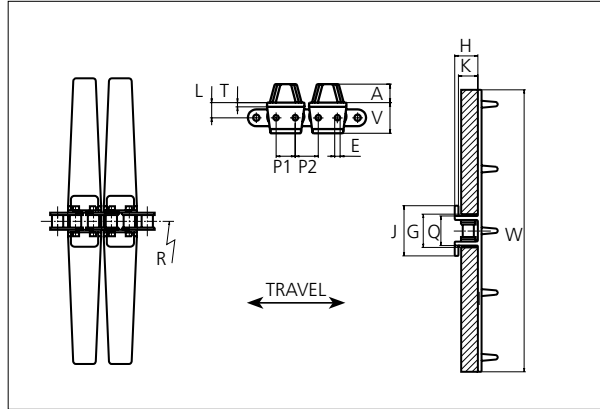
T +45 7572 3100
F +45 7572 3348
admin@unichains.com
www.unichains.com

This information is subject to alteration due to continuous development. Ammeraal Beltech will not be held liable for the incorrect use of the above stated information. This information replaces previous information. All activities performed and services rendered by Ammeraal Beltech are subject to general terms and conditions of sale and delivery, as applied by its operating companies.



Snap-On Plastic Chain

Series **uni 1873** Type **SE**



Snap-On Plastic Chain
 Side flexing chain
 Pitch: 19.1 mm (0.75 in)
 Backflex radius: 150.0 mm (5.90 in)
 Permissible tensile strength:
 uni 1873 SE with (SS304) stainless steel chain: 2000 N (450 lbf)
 uni 1873 SE with carbon steel chain: 4000 N (900 lbf)

 Delivery:
 3.048 m (10 ft)
 No. of links/box: 160
 No. of flights/box: 80

NON STANDARD

A		E		G		H		J		K	
mm	in	mm	in	mm	in	mm	in	mm	in	mm	in
14.4	2.14	5.1	0.20	34.9	1.37	25.0	0.98	54.4	2.14	21.0	0.83
L		P1		P2		Q		T		V	
mm	in	mm	in	mm	in	mm	in	mm	in	mm	in
14.3	0.56	18.1	0.71	20.1	0.79	31.8	1.25	4.0	0.16	29.0	1.14

All dimensions are for chains in POM material.

All Snap-On versions can be delivered either with a stainless steel chain (SS304) or a carbon steel chain.

	Width (W)		Recommended flight material & color	Recommended chain material	Weight		Min. radius R	
	mm	in			kg/m	lb/ft	mm	in
K1200	304.8	12.00	POM-DI W	Carbon steel	3.5	2.35	457.0	17.99
K1200	304.8	12.00	POM-DI G	SS304 or Carbon steel	3.5	2.35	457.0	17.99

Non standard material and color: See uni Material and Color Overview.

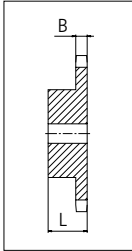
SIDE FLEXING

PITCH 19.1 MM/0.75 IN



Sprocket

No of teeth	Pitch diameter		Hub diameter		Overall width L		Tooth width B		Bore		Machined S1045
	mm	in	mm	in	mm	in	mm	in	mm	in	
Z19	115.7	4.56	80.0	3.15	35.0	1.38	11.7	0.46	16.0	0.63	x
Z20	121.8	4.79	80.0	3.15	35.0	1.38	11.7	0.46	16.0	0.63	x
Z25	152.0	5.98	90.0	3.54	40.0	1.57	11.7	0.46	20.0	0.79	x



Please ensure that sufficient size shaft and keyway are chosen for corresponding load.

Non standard material and color:
See uni Material and Color Overview.

Other sprocket sizes are available upon request.
uni Retainer Rings: See uni Retainer Ring data sheet.

uni 1873 SE/1311



Solid advice
For all your belting needs
Local stock & service
www.ammeraalbeltech.com

Ammeraal Beltech Modular A/S
Hjulmagervej 21
DK-7100 Vejle

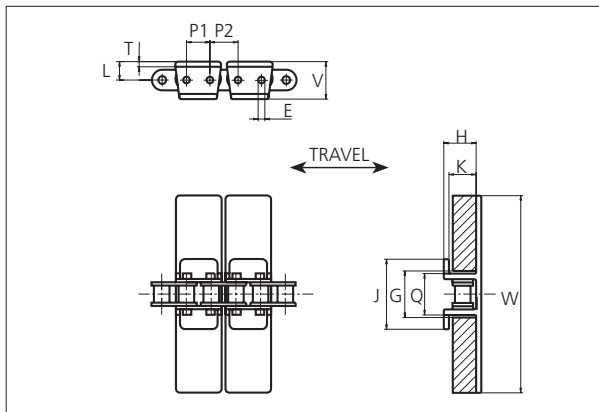
T +45 7572 3100
F +45 7572 3348
admin@unichains.com
www.unichains.com

This information is subject to alteration due to continuous development. Ammeraal Beltech will not be held liable for the incorrect use of the above stated information. This information replaces previous information. All activities performed and services rendered by Ammeraal Beltech are subject to general terms and conditions of sale and delivery, as applied by its operating companies.



Snap-On Plastic Chain

Series **uni 1873** Type **ST**



Snap-On Plastic Chain
 Straight running chain
 Pitch: 19.1 mm (0.75 in)
 Backflex radius: 150.0 mm (5.90 in)
 Permissible tensile strength:
 uni 1873 ST with (SS304) stainless steel chain: 2000 N (450 lbf)
 uni 1873 ST with carbon steel chain: 4000 N (950 lbf)
 Delivery:
 3.05 m (10 ft)
 No. of links/box: 160
 No. of flights/box: 80

E		G		H		J		L		P1		P2		Q		T		V	
mm	in	mm	in	mm	in	mm	in	mm	in	mm	in	mm	in	mm	in	mm	in	mm	in
5.1	0.20	34.9	1.37	25.0	0.98	54.4	2.14	14.3	0.56	18.1	0.71	20.1	0.79	31.8	1.25	4.0	0.16	29.0	1.14

All dimensions are for chains in POM material.

All Snap-On versions can be delivered either with a stainless steel chain (SS304) or a carbon steel chain.

	Width (W)		Recommended flight material & color	Recommended chain material	Weight	
	mm	in			kg/m	lb/ft
K325	82.6	3.25	POM-DI G POM-LFI BR	SS304 or Carbon steel	-	-
K450	114.3	4.50	POM-DI G POM-LFI BR	SS304 or Carbon steel	-	-
K600	152.4	6.00	POM-DI G POM-LFI BR	SS304 or Carbon steel	-	-

Non standard material and color: See uni Material and Color Overview.

NON STANDARD

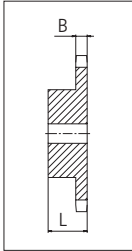
STRAIGHT RUNNING

PITCH 19.1 MM/0.75 IN



Sprocket

No of teeth	Pitch diameter		Hub diameter		Overall width L		Tooth width B		Bore		Machined S1045
	mm	in	mm	in	mm	in	mm	in	mm	in	
Z19	115.7	4.56	80.0	3.15	35.0	1.38	11.7	0.46	16.0	0.63	x
Z20	121.8	4.79	80.0	3.15	35.0	1.38	11.7	0.46	16.0	0.63	x
Z25	152.0	5.98	90.0	3.54	40.0	1.57	11.7	0.46	20.0	0.79	x



Please ensure that sufficient size shaft and keyway are chosen for corresponding load.

Non standard material and color:
See uni Material and Color Overview.

Other sprocket sizes are available upon request.
uni Retainer Rings: See uni Retainer Ring data sheet.

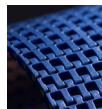
uni 1873 ST/170922



Conveyor Belts



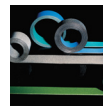
Seamless Belts



Modular Belts



Timing Belts



Transmission Belts



Fabrication & service

Solid advice
For all your belting needs
Local stock & service
www.ammeraalbeltech.com

Ammeraal Beltech Modular A/S
Hjulmagervej 21
DK-7100 Vejle

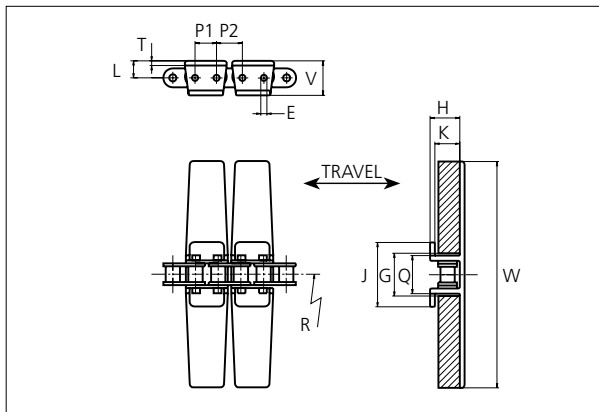
T +45 7572 3100
F +45 7572 3348
admin@unichains.com
www.unichains.com

This information is subject to alteration due to continuous development. Ammeraal Beltech will not be held liable for the incorrect use of the above stated information. This information replaces previous information. All activities performed and services rendered by Ammeraal Beltech are subject to general terms and conditions of sale and delivery, as applied by its operating companies.



Snap-On Plastic Chain

Series **uni 1873** Type -



Snap-On Plastic Chain
 Side flexing chain
 Pitch: 19.1 mm (0.75 in)
 Backflex radius: 150.0 mm (5.90 in)
 Permissible tensile strength:
 uni 1873 with (SS304) stainless steel chain: 2000 N (450 lbf)
 uni 1873 with carbon steel chain: 4000 N (900 lbf)
 Standard shipping lengths:
 No. of roller chain links/box: 160 = 3.048 m (10.0 ft)
 No. of flights/box: 80 = 3.048 m (10.0 ft)

E		G		H		J		K		L		P1		P2		Q		T		V	
mm	in	mm	in	mm	in	mm	in	mm	in	mm	in	mm	in	mm	in	mm	in	mm	in	mm	in
5.1	0.20	34.9	1.37	25.0	0.98	54.5	2.15	21.0	0.83	14.3	0.56	18.1	0.71	20.1	0.79	31.8	1.25	4.0	0.16	29.0	1.14

All dimensions are for chains in POM material.

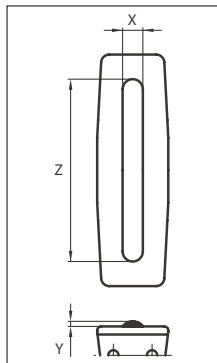
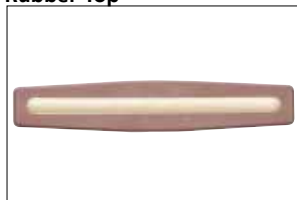
All Snap-On versions can be delivered either with a stainless steel chain (SS304) or a carbon steel chain.

	Width (W)		Flight material & color	Chain material	Weight		Min. radius R	
	mm	in			kg/m	lb/ft	mm	in
K225	57.2	2.25	-	-	-	-	-	-
K250	63.5	2.50	-	-	-	-	-	-
K325	82.6	3.25	POM-LFI BR	SS304 or Carbon steel	2.1	1.41	356.0	14.02
K450	114.3	4.50	POM-DI G	SS304 or Carbon steel	2.3	1.55	356.0	14.02
K600	152.4	6.00	-	-	-	-	-	-
K750	190.5	7.50	-	-	-	-	-	-
K1000	254.0	10.00	-	-	-	-	-	-
K1200	304.8	12.00	POM-LFI BR	SS304 or Carbon steel	3.0	2.02	457.0	17.99

Non standard material and color: See uni Material and Color Overview.

Accessories

Rubber Top



When ordering, please state the required distance between the Rubber Top.

Other Non Standard rubber profiles: See uni Rubber Profile Overview.

Width	Link material	Rubber material	Z		X		Y	
			mm	in	mm	in	mm	in
K325	POM-LFI BR	05 I	60.0	2.36	10.0	0.39	2.5	0.10
K450	POM-DI G	05 I	90.0	3.54	10.0	0.39	2.5	0.10
K1200	POM-LFI BR	05 I	295.0	11.61	8.0	0.31	2.5	0.10



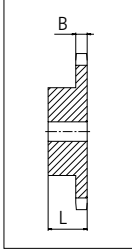
STANDARD

SIDE FLEXING

PITCH 19.1 MM/0.75 IN

Sprocket

No of teeth	Pitch diameter		Hub diameter		Overall width L		Tooth width B		Bore		Machined S1045
	mm	in	mm	in	mm	in	mm	in	mm	in	
Z19	115.7	4.56	80.0	3.15	35.0	1.38	11.7	0.46	16.0	0.63	✓
Z20	121.8	4.79	80.0	3.15	35.0	1.38	11.7	0.46	16.0	0.63	✓
Z25	152.0	5.98	90.0	3.54	40.0	1.57	11.7	0.46	20.0	0.79	✓



Please ensure that sufficient size shaft and keyway are chosen for corresponding load.

Non standard material and color:
See uni Material and Color Overview.

Other sprocket sizes are available upon request.
uni Retainer Rings: See uni Retainer Ring data sheet.

uni 1873/160621



Solid advice
For all your belting needs
Local stock & service
www.ammeraalbeltech.com

Ammeraal Beltech Modular A/S
Hjulmagervej 21
DK-7100 Vejle

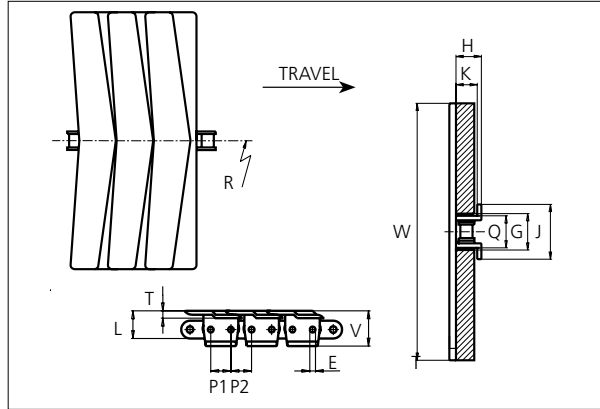
T +45 7572 3100
F +45 7572 3348
admin@unichains.com
www.unichains.com

This information is subject to alteration due to continuous development. Ammeraal Beltech will not be held liable for the incorrect use of the above stated information. This information replaces previous information. All activities performed and services rendered by Ammeraal Beltech are subject to general terms and conditions of sale and delivery, as applied by its operating companies.



Snap-On Plastic Chain

Series **uni 3873** Type -



Snap-On Plastic Chain
 Side flexing chain
 Pitch: 19.1 mm (0.75 in)
 Backflex radius: 150.0 mm (5.90 in)
 Permissible tensile strength:
 uni 3873 with (SS304) stainless steel chain: 2000 N (450 lbf)
 uni 3873 with carbon steel chain: 4000 N (900 lbf)
 Standard shipping lengths:
 No. of roller chain links/box: 160 = 3.048 m (10.0 ft)
 No. of flights/box: 80 = 3.048 m (10.0 ft)

STANDARD

E		G		H		J		K		L		P1		P2		Q		T		V	
mm	in	mm	in	mm	in	mm	in	mm	in	mm	in	mm	in	mm	in	mm	in	mm	in	mm	in
5.1	0.20	34.9	1.37	24.9	0.98	54.2	2.13	21.0	0.83	16.6	0.65	18.1	0.71	20.1	0.79	31.8	1.25	6.6	0.26	29.0	1.14

All dimensions are for chains in POM material.

All Snap-On versions can be delivered either with a stainless steel chain (SS304) or a carbon steel chain.

	Width (W)		Flight material & color	Chain material	Weight		Min. radius R	
	mm	in			kg/m	lb/ft	mm	in
K1000	254.0	10.00	POM-LFI BR	SS304 or Carbon steel	3.5	2.35	356.0	14.02

Non standard material and color: See uni Material and Color Overview.

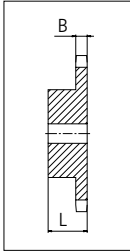
SIDE FLEXING

PITCH 19.1 MM/0.75 IN



Sprocket

No of teeth	Pitch diameter		Hub diameter		Overall width L		Tooth width B		Bore		Machined S1045
	mm	in	mm	in	mm	in	mm	in	mm	in	
Z19	115.7	4.56	80.0	3.15	35.0	1.38	11.7	0.46	16.0	0.63	✓
Z20	121.8	4.79	80.0	3.15	35.0	1.38	11.7	0.46	16.0	0.63	✓
Z25	152.0	5.98	90.0	3.54	40.0	1.57	11.7	0.46	20.0	0.79	✓



Please ensure that sufficient size shaft and keyway are chosen for corresponding load.

Non standard material and color:
See uni Material and Color Overview.

Other sprocket sizes are available upon request.
uni Retainer Rings: See uni Retainer Ring data sheet.

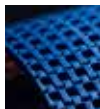
uni 3873/160621



Conveyor Belts



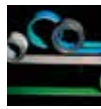
Seamless Belts



Modular Belts



Timing Belts



Transmission Belts



Fabrication & service

Solid advice
For all your belting needs
Local stock & service
www.ammeraalbeltech.com

Ammeraal Beltech Modular A/S
Hjulmagervej 21
DK-7100 Vejle

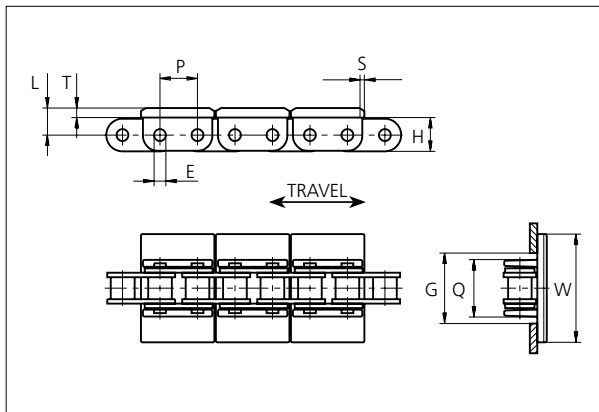
T +45 7572 3100
F +45 7572 3348
admin@unichains.com
www.unichains.com

This information is subject to alteration due to continuous development. Ammeraal Beltech will not be held liable for the incorrect use of the above stated information. This information replaces previous information. All activities performed and services rendered by Ammeraal Beltech are subject to general terms and conditions of sale and delivery, as applied by its operating companies.



Snap-On Plastic Chain

Series **uni 843** Type **SK**



Snap-On Plastic Chain
 Straight running chain
 Pitch: 12.7 mm (0.50 in)
 Backflex radius:
 K138: 250.0 mm (9.80 in)
 K200: 150.0 mm (5.90 in)
 Permissible tensile strength:
 uni 843 SK with (SS304) stainless steel chain: 1500 N (340 lbf)
 uni 843 SK with carbon steel chain: 2000 N (450 lbf)
 Standard shipping lengths:
 No. of roller chain links/box:
 480 = 6.096 m (20.0 ft)
 No. of flights/box:
 240 = 6.096 m (20.0 ft)

	E		G		H		L		P		Q		S		T	
	mm	in	mm	in	mm	in	mm	in	mm	in	mm	in	mm	in	mm	in
K138	4.0	0.16	20.5	0.81	11.5	0.45	9.1	0.36	12.7	0.50	19.1	0.75	2.0	0.08	3.2	0.13
K200	4.0	0.16	20.5	0.81	11.5	0.45	9.1	0.36	12.7	0.50	19.1	0.75	4.0	0.16	3.2	0.13

All dimensions are for chains in POM material.

All Snap-On versions can be delivered either with a stainless steel chain (SS304) or a carbon steel chain.

	Width (W)		Flight material & color	Chain material	Weight	
	mm	in			kg/m	lb/ft
K138	34.9	1.37	POM-DI G	SS304 or Carbon steel	0.9	0.60
K200	50.8	2.00	POM-LFI BR	SS304 or Carbon steel	0.9	0.60

Non standard material and color: See uni Material and Color Overview.

STANDARD

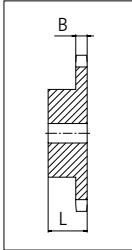
STRAIGHT RUNNING

PITCH 12.7 MM/0.50 IN



Sprocket

No. of teeth	Pitch diameter		Hub diameter		Overall width L		Tooth width B		tBore	
	mm	in	mm	in	mm	in	mm	in	mm	in
Z18	73.1	2.88	56.0	2.20	28.0	1.10	7.2	0.28	12.0	0.47
Z25	101.3	3.99	70.0	2.76	28.0	1.10	7.2	0.28	14.0	0.55



Please ensure that sufficient size shaft and keyway are chosen for corresponding load.

Non standard material and color:
See uni Material and Color Overview.

Other sprocket sizes are available upon request
uni Retainer Rings: See uni Retainer Ring data sheet

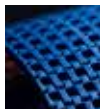
uni 843 SK/180302



Conveyor Belts



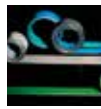
Seamless Belts



Modular Belts



Timing Belts



Transmission Belts



Fabrication & service

Solid advice
For all your belting needs
Local stock & service
www.ammeraalbeltech.com

Ammeraal Beltech Modular A/S
Hjulmagervej 21
DK-7100 Vejle

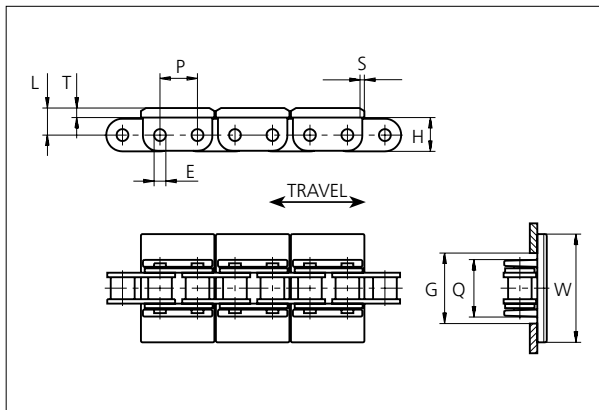
T +45 7572 3100
F +45 7572 3348
admin@unichains.com
www.unichains.com

This information is subject to alteration due to continuous development. Ammeraal Beltech will not be held liable for the incorrect use of the above stated information. This information replaces previous information. All activities performed and services rendered by Ammeraal Beltech are subject to general terms and conditions of sale and delivery, as applied by its operating companies.



Snap-On Plastic Chain

Series **uni 843** Type **SKR**



Snap-On Plastic Chain
 Straight running chain
 Pitch: 12.7 mm (0.50 in)
 Backflex radius:
 K138: 250.0 mm (9.80 in)
 K250: 150.0 mm (5.90 in)
 Permissible tensile strength:
 SS304: 1500 N (340 lbf)
 carbon steel: 2000 N (450 lbf)

Standard shipping lengths:
 No. of roller chain links/box:
 480 = 6.096 m (20.0 ft)
 120 of flights/box:
 120 = 6.096 m (20.0 ft)

	E		G		H		L		P		Q		S		T	
	mm	in	mm	in	mm	in	mm	in	mm	in	mm	in	mm	in	mm	in
K138	4.0	0.16	20.5	0.81	11.5	0.45	9.1	0.36	12.7	0.50	19.1	0.75	R3.0	0.12	3.2	0.13
K250	4.0	0.16	20.5	0.81	11.5	0.45	9.1	0.36	12.7	0.50	19.1	0.75	R3.0	0.12	3.2	0.13

All dimensions are for chains in POM material.

All Snap-On versions can be delivered either with a stainless steel chain (SS304) or a carbon steel chain.

	Width (W)		Recommended flight material & color	Recommended chain material	Weight	
	mm	in			kg/m	lb/ft
K138	34.9	1.37	POM-DI G	SS304 or Carbon steel	0.9	0.60
K250	63.5	2.50	POM-LFI BR	SS304 or Carbon steel	0.9	0.60

Non standard material and color: See uni Material and Color Overview.

NON STANDARD

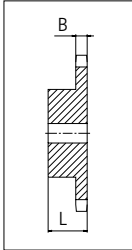
STRAIGHT RUNNING

PITCH 12.7 MM/0.50 IN



Sprocket

No. of teeth	Pitch diameter		Hub diameter		Overall width L		Tooth width B		tBore	
	mm	in	mm	in	mm	in	mm	in	mm	in
Z18	73.1	2.88	56.0	2.20	28.0	1.10	7.2	0.28	12.0	0.47
Z25	101.3	3.99	70.0	2.76	28.0	1.10	7.2	0.28	14.0	0.55



Please ensure that sufficient size shaft and keyway are chosen for corresponding load.

Non standard material and color:
See uni Material and Color Overview.

Other sprocket sizes are available upon request
uni Retainer Rings: See uni Retainer Ring data sheet

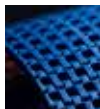
uni 843 SKR/180302



Conveyor Belts



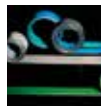
Seamless Belts



Modular Belts



Timing Belts



Transmission Belts



Fabrication & service

Expert advice, quality solutions and local service for all your belting needs
www.ammeraalbeltech.com

Ammeraal Beltech Modular A/S
Hjulmagervej 21
DK-7100 Vejle

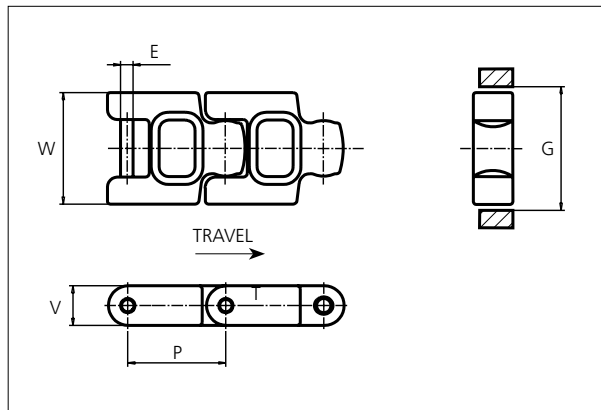
T +45 7572 3100
F +45 7572 3348
admin@unichains.com
www.unichains.com

This information is subject to alteration due to continuous development. Ammeraal Beltech will not be held liable for the incorrect use of the above stated information. This information replaces previous information. All activities performed and services rendered by Ammeraal Beltech are subject to general terms and conditions of sale and delivery, as applied by its operating companies.



Special Plastic Chain

Series **uni 3200** Type -



Special Plastic Chain
 Straight running chain
 Pitch: 50.8 mm (2.00 in)
 Backflex radius:
 60.0 mm (2.40 in)
 Permissible tensile strength:
 POM material:
 3150 N (708 lbf)

 Standard shipping lengths:
 boxes of 120 links
 = 6.096 m (20.0 ft)

STANDARD

E		G		P		V	
mm	in	mm	in	mm	in	mm	in
6.4	0.25	59.5	2.34	50.8	2.00	20.3	0.80

All dimensions are for chains in POM material.

Width (W)		Material & color	Pin material	Weight	
mm	in			kg/m	lb/ft
57.2	2.25	POM-DI G	SS304	57.2	2.25

Non standard material and color: See uni Material and Color Overview.


Non standard pin material: See uni Material and Color Overview.

STRAIGHT RUNNING

PITCH 50.8 MM/2.00 IN

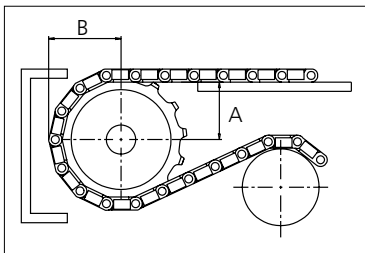


Sprocket

No of teeth	Pitch diameter		Overall-diameter		Min. ø bore		Max. ø bore		Hub-diameter		Dimension A		Dimension B		 Machined PAG
	mm	in	mm	in	mm	in	mm	in	mm	in	mm	in	mm	in	
Z8	132.9	5.23	134.0	5.30	19.1	0.80	40.0	1.60	65.0	2.60	51.2	2.00	79.6	3.10	✓
Z10	164.5	6.48	160.0	6.30	19.1	0.80	40.0	1.60	65.0	2.60	68.0	2.70	92.4	3.60	✓
Z10	164.5	6.48	160.0	6.30	40.0	1.60	70.0	2.80	120.0	4.70	68.0	2.70	92.4	3.60	✓
Z12	194.4	7.65	204.0	8.00	19.1	0.80	40.0	1.60	65.0	2.60	84.7	3.30	108.4	4.30	✓
Z12	194.4	7.65	204.0	8.00	40.0	1.60	70.0	2.80	120.0	4.70	84.7	3.30	108.4	4.30	✓
Z15	244.4	9.62	250.0	9.80	19.1	0.80	40.0	1.60	65.0	2.60	109.4	4.30	132.4	5.20	✓
Z15	244.4	9.62	250.0	9.80	40.0	1.60	70.0	2.80	120.0	4.70	109.4	4.30	132.4	5.20	✓

Non standard material and color:
See uni Material and Color Overview.

Machined sprocket



Please ensure that sufficient size shaft and keyway are chosen for corresponding load.

Other sprocket sizes are available upon request
Width of tooth: 25.0 mm/1.00 in
Width of sprocket: 42.3 mm/1.70 in
uni Retainer Rings: See uni Retainer Ring data sheet

uni 3200/160621



Solid advice
For all your belting needs
Local stock & service
www.ammeraalbeltech.com

Ammeraal Beltech Modular A/S
Hjulmagervej 21
DK-7100 Vejle

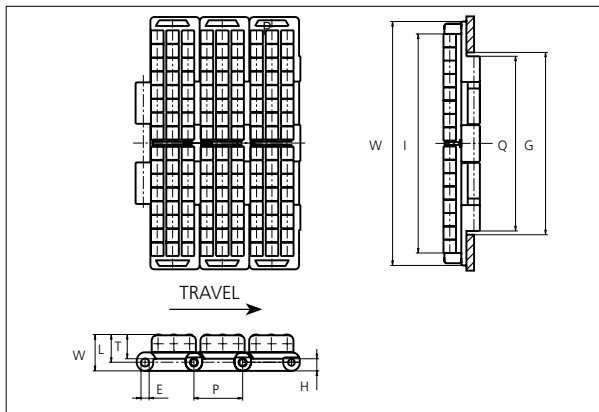
T +45 7572 3100
F +45 7572 3348
admin@unichains.com
www.unichains.com

This information is subject to alteration due to continuous development. Ammeraal Beltech will not be held liable for the incorrect use of the above stated information. This information replaces previous information. All activities performed and services rendered by Ammeraal Beltech are subject to general terms and conditions of sale and delivery, as applied by its operating companies.



Special Plastic Chain

Series **uni 821** Type **PRR**



Special Plastic Chain
 Straight running chain
 Pitch: 38.1 mm (1.50 in)
 Backflex radius: 225.0 mm (8.90 in)
 Permissible tensile strength:
 POM material: 3000 N (674 lbf)

 Standard shipping lengths:
 boxes of 80 links
 = 3.048 m (10.0 ft)

 Axle materials for ø5.0 mm
 (0.20 in) accumulation rollers: See
 uni Material and Color Overview.

STANDARD

E		G		H		I (K750)		I (K1000)		I (K1200)		L		P		Q		T		V	
mm	in	mm	in	mm	in	mm	in	mm	in	mm	in	mm	in	mm	in	mm	in	mm	in	mm	in
6.4	0.25	140.0	5.51	9.5	0.37	174.5	6.87	238.0	9.37	288.8	11.37	22.2	0.87	38.1	1.50	136.5	5.37	19.0	0.75	28.5	1.12

All dimensions are for chains in POM material.

	Width (W)		Base material & color	Roller material & color	Pin material	Weight	
	mm	in				kg/m	lb/ft
K750	190.5	7.50	POM-LF BR	POM-LF BR	SS304	5.1	3.43
K1000	254.0	10.00	-	-	-	-	-
K1200	304.8	12.00	POM-LF BR	POM-LF BR	SS304	8.3	5.58

Non standard material and color: See uni Material and Color Overview.

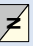
Non standard pin material: See uni Material and Color Overview.

STRAIGHT RUNNING


PITCH 38.1 MM/1.50 IN



Sprocket

No. of teeth	Pitch diameter		Overall diameter		Min. ø bore		Max. ø bore		Hub diameter		Dimension A		Dimension B		 Machined PAG
	mm	in	mm	in	mm	in	mm	in	mm	in	mm	in	mm	in	
Z19	117.3	4.62	117.0	4.61	20.0	0.79	70.0	2.76	0	0	58.7	2.31	64.5	2.54	✓
Z21	129.2	5.09	130.0	5.12	20.0	0.79	70.0	2.76	0	0	65.0	2.56	70.5	2.78	✓
Z23	141.2	5.56	142.0	5.59	20.0	0.79	70.0	2.76	0	0	71.2	2.80	76.5	3.01	✓
Z25	153.2	6.03	155.0	6.10	20.0	0.79	70.0	2.76	0	0	77.4	3.05	82.5	3.25	✓
Z27	165.2	6.50	167.0	6.57	20.0	0.79	100.0	3.93	0	0	83.6	3.29	88.5	3.48	✓
Z29	177.2	6.98	179.0	7.05	20.0	0.79	110.0	4.33	0	0	89.8	3.54	94.6	3.72	✓
Z31	189.3	7.45	192.0	7.56	20.0	0.79	120.0	4.72	0	0	95.9	3.78	100.6	3.96	✓

Two part sprocket

No. of teeth	Pitch diameter		Overall diameter		Min. ø bore		Max. ø bore		Hub diameter		Dimension A		Dimension B		 Molded PAG LG
	mm	in	mm	in	mm	in	mm	in	mm	in	mm	in	mm	in	
Z25	153.2	6.03	155.0	6.10	30.0	1.18	40.0	1.57	58.0	2.28	77.4	3.05	82.5	3.25	✓

Non standard material and color:
See uni Material and Color Overview.

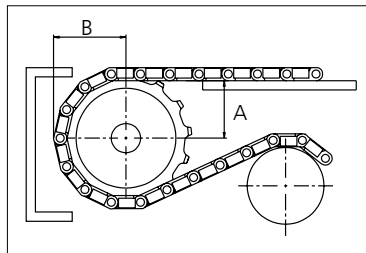
Cast iron sprocket



Machined sprocket



Molded two part sprocket



Please ensure that sufficient size shaft and keyway are chosen for corresponding load.

Other sprocket sizes are available upon request

Width of tooth: 79.4 mm/3.13 in

Width of sprocket: 79.4 mm/3.13 in

uni Retainer Rings: See uni Retainer Ring data sheet

uni Idler: See uni Idler data sheet

uni Guide Rings can be mounted on cast iron and machined sprockets. See uni Guide Rings data sheet

uni 821 PRR/160621



Expert advice, quality solutions and local service for all your belting needs
www.ammeraalbeltech.com

Ammeraal Beltech Modular A/S
Hjulmagervej 21
DK-7100 Vejle

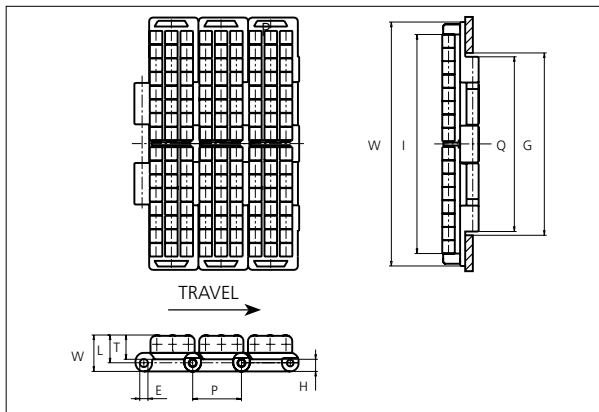
T +45 7572 3100
F +45 7572 3348
admin@unichains.com
www.unichains.com

This information is subject to alteration due to continuous development. Ammeraal Beltech will not be held liable for the incorrect use of the above stated information. This information replaces previous information. All activities performed and services rendered by Ammeraal Beltech are subject to general terms and conditions of sale and delivery, as applied by its operating companies.



Special Plastic Chain

Series **uni 821** Type **PRR4**



Special Plastic Chain
 Straight running chain
 Pitch: 38.1 mm (1.50 in)
 Backflex radius: 225.0 mm (8.90 in)
 Permissible tensile strength:
 POM material: 3000 N (674 lbf)

 Standard shipping lengths:
 boxes of 80 links
 = 3.048 m (10.0 ft)

 Axle materials for ø5.0 mm (0.20 in) accumulation rollers:
 See uni Material and Color Overview.

E		G		H		I (K750)		I (K1000)		I (K1200)		L		P		Q		T		V	
mm	in	mm	in	mm	in	mm	in	mm	in	mm	in	mm	in	mm	in	mm	in	mm	in	mm	in
6.4	0.25	140.0	5.51	9.5	0.37	174.5	6.87	238.0	9.37	288.8	11.37	22.2	0.87	38.1	1.50	136.5	5.37	19.0	0.75	28.5	1.12

All dimensions are for chains in POM material.

	Width (W)		Recommended base material & color	Recommended roller material & color	Recommended pin material	Weight	
	mm	in				kg/m	lb/ft
K750	190.5	7.50	POM-LF BR	POM-D K	SS304	6.9	4.64
K1000	254.0	10.00	POM-LF BR	POM-D K	SS304	8.8	5.91
K1200	304.8	12.00	POM-LF BR	POM-D K	SS304	10.2	6.85

Non standard material and color: See uni Material and Color Overview.

Non standard pin material: See uni Material and Color Overview.

NON STANDARD

STRAIGHT RUNNING

PITCH 38.1 MM/1.50 IN



Sprocket

No. of teeth	Pitch diameter		Overall diameter		Min. ø bore		Max. ø bore		Hub diameter		Dimension A		Dimension B		Molded Cast Iron	Machined PA6
	mm	in	mm	in	mm	in	mm	in	mm	in	mm	in	mm	in		
Z19	117.3	4.62	117.0	4.61	20.0	0.79	70.0	2.76	0	0	58.7	2.31	64.5	2.54	✓	✓
Z21	129.2	5.09	130.0	5.12	20.0	0.79	70.0	2.76	0	0	65.0	2.56	70.5	2.78	✓	✓
Z23	141.2	5.56	142.0	5.59	20.0	0.79	70.0	2.76	0	0	71.2	2.80	76.5	3.01	✓	✓
Z25	153.2	6.03	155.0	6.10	20.0	0.79	70.0	2.76	0	0	77.4	3.05	82.5	3.25	✓	✓
Z27	165.2	6.50	167.0	6.57	20.0	0.79	100.0	3.93	0	0	83.6	3.29	88.5	3.48	✓	✓
Z29	177.2	6.98	179.0	7.05	20.0	0.79	110.0	4.33	0	0	89.8	3.54	94.6	3.72	✓	✓
Z31	189.3	7.45	192.0	7.56	20.0	0.79	120.0	4.72	0	0	95.9	3.78	100.6	3.96	✓	✓

Two part sprocket

No. of teeth	Pitch diameter		Overall diameter		Min. ø bore		Max. ø bore		Hub diameter		Dimension A		Dimension B		Molded PA6 LG
	mm	in	mm	in	mm	in	mm	in	mm	in	mm	in	mm	in	
Z25	153.2	6.03	155.0	6.10	30.0	1.18	40.0	1.57	58.0	2.28	77.4	3.05	82.5	3.25	✓

Non standard material and color:
See uni Material and Color Overview.

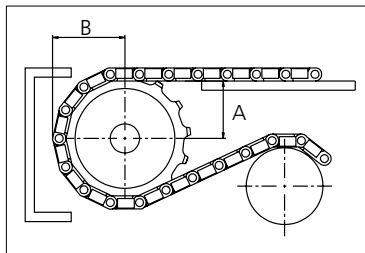
Cast iron sprocket



Machined sprocket



Molded two part sprocket



Please ensure that sufficient size shaft and keyway are chosen for corresponding load.

Other sprocket sizes are available upon request

Width of tooth: 79.4 mm/3.13 in

Width of sprocket: 79.4 mm/3.13 in

uni Retainer Rings: See uni Retainer Ring data sheet

uni Idler: See uni Idler data sheet

uni Guide Rings can be mounted on cast iron and machined sprockets. See uni Guide Rings data sheet



Conveyor Belts



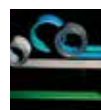
Seamless Belts



Modular Belts



Timing Belts



Transmission Belts



Fabrication & service

Expert advice, quality solutions and local service for all your belting needs
www.ammeraalbeltech.com

Ammeraal Beltech Modular A/S
Hjulmagervej 21
DK-7100 Vejle

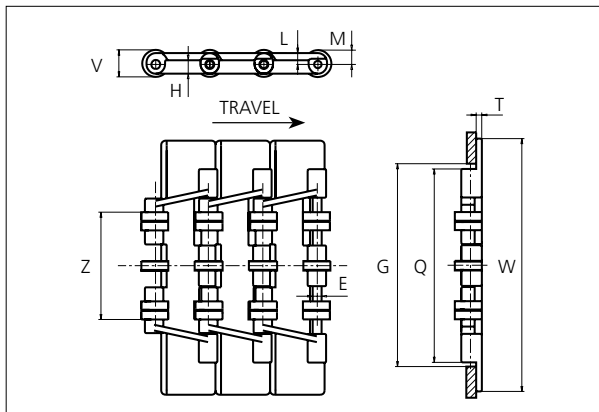
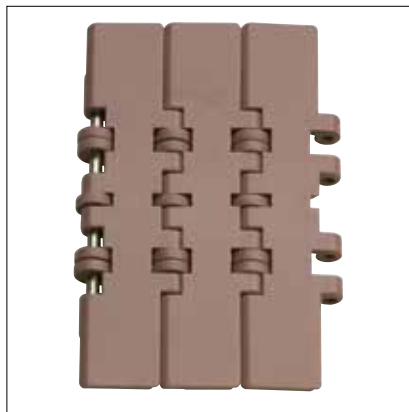
T +45 7572 3100
F +45 7572 3348
admin@unichains.com
www.unichains.com

This information is subject to alteration due to continuous development. Ammeraal Beltech will not be held liable for the incorrect use of the above stated information. This information replaces previous information. All activities performed and services rendered by Ammeraal Beltech are subject to general terms and conditions of sale and delivery, as applied by its operating companies.



Special Plastic Chain

Series **uni 821** Type **RO**



Special Plastic Chain
 Straight running chain
 Pitch: 38.1 mm (1.50 in)
 Backflex radius:
 75.0 mm (3.00 in)
 Permissible tensile strength:
 POM material:
 2500 N (562 lbf)

 Standard shipping lengths:
 boxes of 80 links
 = 3.048 m (10.0 ft)

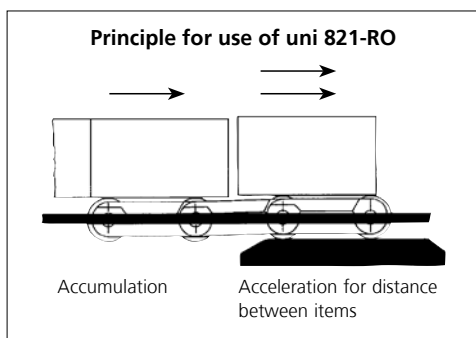
E		G		H		L		M		P		Q		T		V		Z	
mm	in	mm	in	mm	in	mm	in	mm	in	mm	in	mm	in	mm	in	mm	in	mm	in
6.4	0.25	140.0	5.51	9.5	0.37	8.0	0.31	9.5	0.37	38.1	1.50	136.5	5.37	5.0	0.20	19.0	0.75	75.0	2.95

All dimensions are for chains in POM material.

	Width (W)		Recommended material & color	Recommended roller material & color	Recommended pin material	Weight	
	mm	in				kg/m	lb/ft
K750	190.5	7.50	POM-LF BR	POM-LF BR	SS304	2.6	1.75

Non standard material and color: See uni Material and Color Overview.

Non standard pin material: See uni Material and Color Overview.



NON STANDARD

STRAIGHT RUNNING

PITCH 38.1 MM/1.50 IN

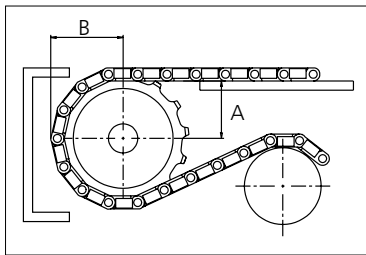


Sprocket

No. of teeth	Pitch diameter		Overall diameter		Min. ø bore		Max. ø bore		Hub diameter		Dimension A		Dimension B		Machined  PAG
	mm	in	mm	in	mm	in	mm	in	mm	in	mm	in	mm	in	
Z21	129.2	5.09	130.0	5.12	18.0	0.71	70.0	2.76	0	0	65.0	2.56	71.8	2.83	✓

Non standard material and color:
See uni Material and Color Overview.

Molded sprocket



Please ensure that sufficient size shaft and keyway are chosen for corresponding load.

Other sprocket sizes are available upon request
Width of tooth: 13.8 mm/0.54 in
Width of sprocket: 135.0 mm/5.30 in
uni Retainer Rings: See uni Retainer Ring data sheet

uni 821 RO/160624



Expert advice, quality solutions and local service for all your belting needs
www.ammeraalbeltech.com

Ammeraal Beltech Modular A/S
Hjulmagervej 21
DK-7100 Vejle

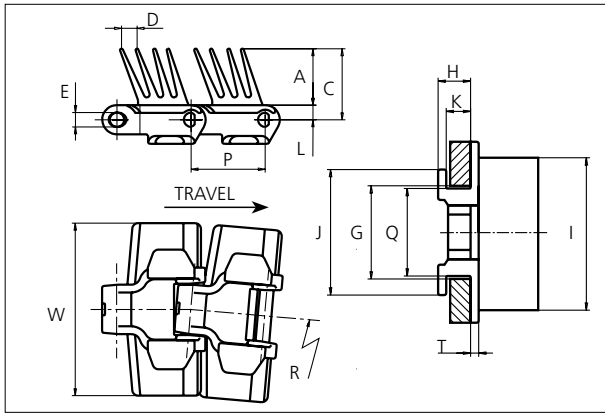
T +45 7572 3100
F +45 7572 3348
admin@unichains.com
www.unichains.com

This information is subject to alteration due to continuous development. Ammeraal Beltech will not be held liable for the incorrect use of the above stated information. This information replaces previous information. All activities performed and services rendered by Ammeraal Beltech are subject to general terms and conditions of sale and delivery, as applied by its operating companies.



Special Plastic Chain

Series **uni 879** Type **Tab R G4**



Special Plastic Chain
 Side flexing chain
 Pitch: 38.1 mm (1.50 in)
 Backflex radius:
 200 mm (7.87 in)
 Permissible tensile strength:
 POM material:
 2250 N (506 lbf)

 Standard shipping lengths:
 boxes of 80 links
 = 3.048 m (10.0 ft)

STANDARD

A		C		D		E		G		H		I		J		K		L		P		Q		T	
mm	in	mm	in	mm	in	mm	in	mm	in	mm	in	mm	in	mm	in	mm	in	mm	in	mm	in	mm	in	mm	in
29.0	1.14	37.5	1.48	9.0	0.36	7.1	0.28	44.5	1.75	15.9	0.63	75.0	2.95	61.5	2.42	11.9	0.47	8.5	0.33	38.1	1.50	42.9	1.69	5.0	0.20

All dimensions are for chains in POM material.

	Width (W)		Recommended material & color	Pin material	Weight		Min. radius (R)	
	mm	in			kg/m	lb/ft	mm	in
K325	82.6	3.25	POM-LF BR 04 K	SS304	1.3	0.87	200	7.87

Non standard material and color. See uni Material and Color Overview.
 Non standard pin material: See uni Material and Color Overview.

SIDE FLEXING

PITCH 38.1 MM/1.50 IN



Sprocket

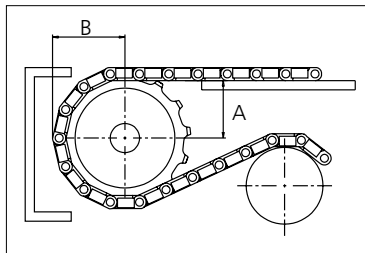
No. of teeth	Pitch diameter		Overall diameter		Min. ø bore		Max. ø bore		Hub diameter		Dimension A		Dimension B		Molded PA6 LG	Molded Cast Iron
	mm	in	mm	in	mm	in	mm	in	mm	in	mm	in	mm	in		
Z9	111.4	4.39	109.7	4.32	20.0	0.80	40.0	1.60	70.0	2.76	55.9	2.20	63.2	2.49	✓	✓
Z10	123.3	4.85	122.3	4.81	20.0	0.80	40.0	1.60	70.0	2.76	62.2	2.45	69.2	2.72	✓	✓
Z11	135.2	5.32	134.8	5.31	20.0	0.80	40.0	1.60	70.0	2.76	68.4	2.69	75.1	2.96	✓	✓
Z12	147.2	5.80	147.2	5.80	20.0	0.80	40.0	1.60	70.0	2.76	74.6	2.94	81.1	3.19	✓	✓
Z15	183.3	7.22	184.3	7.26	20.0	0.80	40.0	1.60	70.0	2.76	93.2	3.67	99.2	3.91	✓	✓

Two part sprocket

No. of teeth	Pitch diameter		Overall diameter		Min. ø bore		Max. ø bore		Hub diameter		Dimension A		Dimension B		Molded PA6 LG
	mm	in	mm	in	mm	in	mm	in	mm	in	mm	in	mm	in	
Z9	111.4	4.39	109.7	4.32	20.0	0.80	40.0	1.60	70.0	2.76	55.9	2.20	63.2	2.49	✓
Z10	123.3	4.85	122.3	4.81	20.0	0.80	40.0	1.60	70.0	2.76	62.2	2.45	69.2	2.72	✓
Z11	135.2	5.32	134.8	5.31	20.0	0.80	40.0	1.60	70.0	2.76	68.4	2.69	75.1	2.96	✓
Z12	147.2	5.80	147.2	5.80	20.0	0.80	40.0	1.60	70.0	2.76	74.6	2.94	81.1	3.19	✓

Non standard material and color:
See uni Material and Color Overview.

Molded sprocket Cast iron sprocket Molded two part sprocket



Please ensure that sufficient size shaft and keyway are chosen for corresponding load.

Other sprocket sizes are available upon request
Width of tooth: 15.8 mm/0.62 in
Width of sprocket: 42.3 mm/1.67 in
uni Retainer Rings: See uni Retainer Ring data sheet
uni Idler: See uni Idler data sheet

uni 879 Tab R G4/160621



Expert advice, quality solutions and local service for all your belting needs
www.ammeraalbeltech.com

Ammeraal Beltech Modular A/S
Hjulmagervej 21
DK-7100 Vejle

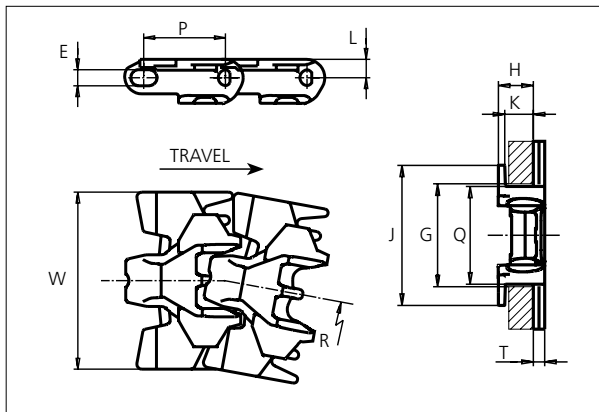
T +45 7572 3100
F +45 7572 3348
admin@unichains.com
www.unichains.com

This information is subject to alteration due to continuous development. Ammeraal Beltech will not be held liable for the incorrect use of the above stated information. This information replaces previous information. All activities performed and services rendered by Ammeraal Beltech are subject to general terms and conditions of sale and delivery, as applied by its operating companies.



Special Plastic Chain

Series **uni 879** Type **Tab Safety**



Special Plastic Chain
 Side flexing chain
 Pitch: 38.1 mm (1.50 in)
 Backflex radius:
 75.0 mm (3.00 in)
 Permissible tensile strength:
 POM material:
 2250 N (506 lbf)
 Standard shipping lengths:
 boxes of 80 links
 = 3.048 m (10.0 ft)

E		G		H		J		K		L		P		Q		T	
mm	in	mm	in	mm	in	mm	in	mm	in	mm	in	mm	in	mm	in	mm	in
7.1	0.28	44.5	1.75	15.9	0.63	61.5	2.42	11.9	0.47	8.5	0.33	38.1	1.50	43.1	1.70	5.0	0.20

All dimensions are for chains in POM material.

	Width (W)		Material & color	Pin material	Weight		Min. radius (R)	
	mm	in			kg/m	lb/ft	mm	in
K325	82.6	3.25	POM-LFI BR	SS304	1.0	0.67	200	7.87
K450	114.3	4.50	-	-	-	-	-	-

Non standard material and color: See uni Material and Color Overview.

Non standard pin material: See uni Material and Color Overview.

STANDARD

SIDE FLEXING

PITCH 38.1 MM/1.50 IN



Sprocket

No. of teeth	Pitch diameter		Overall diameter		Min. ϕ bore		Max. ϕ bore		Hub diameter		Dimension A		Dimension B		Molded PA6 LG	Molded Cast Iron
	mm	in	mm	in	mm	in	mm	in	mm	in	mm	in	mm	in	✓	✓
Z9	111.4	4.39	109.7	4.32	20.0	0.80	40.0	1.60	70.0	2.76	55.9	2.20	63.2	2.49	✓	✓
Z10	123.3	4.85	122.3	4.81	20.0	0.80	40.0	1.60	70.0	2.76	62.2	2.45	69.2	2.72	✓	✓
Z11	135.2	5.32	134.8	5.31	20.0	0.80	40.0	1.60	70.0	2.76	68.4	2.69	75.1	2.96	✓	✓
Z12	147.2	5.80	147.2	5.80	20.0	0.80	40.0	1.60	70.0	2.76	74.6	2.94	81.1	3.19	✓	✓
Z15	183.3	7.22	184.3	7.26	20.0	0.80	40.0	1.60	70.0	2.76	93.2	3.67	99.2	3.91	✓	✓

Two part sprocket

No. of teeth	Pitch diameter		Overall diameter		Min. ϕ bore		Max. ϕ bore		Hub diameter		Dimension A		Dimension B		Molded PA6 LG
	mm	in	mm	in	mm	in	mm	in	mm	in	mm	in	mm	in	✓
Z9	111.4	4.39	109.7	4.32	20.0	0.80	40.0	1.60	70.0	2.76	55.9	2.20	63.2	2.49	✓
Z10	123.3	4.85	122.3	4.81	20.0	0.80	40.0	1.60	70.0	2.76	62.2	2.45	69.2	2.72	✓
Z11	135.2	5.32	134.8	5.31	20.0	0.80	40.0	1.60	70.0	2.76	68.4	2.69	75.1	2.96	✓
Z12	147.2	5.80	147.2	5.80	20.0	0.80	40.0	1.60	70.0	2.76	74.6	2.94	81.1	3.19	✓

Non standard material and color:
See uni Material and Color Overview.

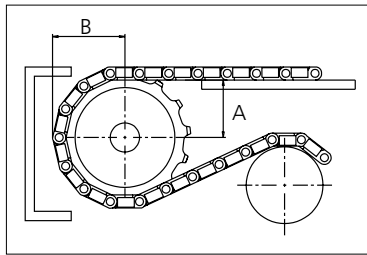
Molded sprocket



Cast iron sprocket



Molded two part sprocket



Please ensure that sufficient size shaft and keyway are chosen for corresponding load.

Other sprocket sizes are available upon request
Width of tooth: 15.8 mm/0.62 in
Width of sprocket: 42.3 mm/1.67 in
uni Retainer Rings: See uni Retainer Ring data sheet
uni Idler: See uni Idler data sheet

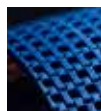
uni 879 Tab Safety/160621



Conveyor Belts



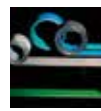
Seamless Belts



Modular Belts



Timing Belts



Transmission Belts



Fabrication & service

Solid advice
For all your belting needs
Local stock & service
www.ammeraalbeltech.com

Ammeraal Beltech Modular A/S
Hjulmagervej 21
DK-7100 Vejle

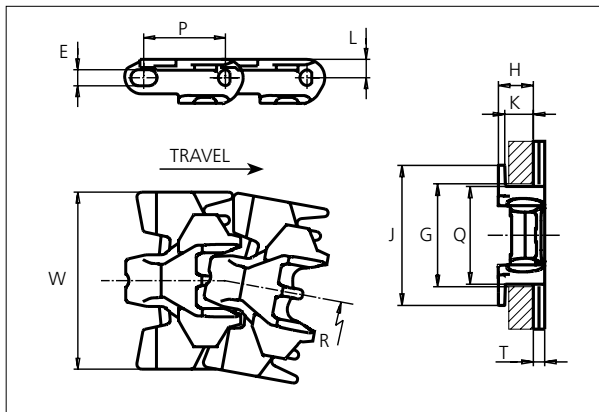
T +45 7572 3100
F +45 7572 3348
admin@unichains.com
www.unichains.com

This information is subject to alteration due to continuous development. Ammeraal Beltech will not be held liable for the incorrect use of the above stated information. This information replaces previous information. All activities performed and services rendered by Ammeraal Beltech are subject to general terms and conditions of sale and delivery, as applied by its operating companies.



Special Plastic Chain

Series **uni 879** Type **Tab Safety Finger**



Special Plastic Chain
 Side flexing chain
 Pitch: 38.1 mm (1.50 in)
 Backflex radius:
 90 mm (3.50 in)
 Permissible tensile strength:
 POM material: 2250 N
 (506 lbf)
 Standard shipping lengths:
 boxes of 80 links
 = 3.048 m (10.0 ft)

E		G		H		J		K		L		P		Q		T	
mm	in	mm	in	mm	in	mm	in	mm	in	mm	in	mm	in	mm	in	mm	in
7.1	0.28	44.5	1.75	15.9	0.63	61.5	2.42	11.9	0.47	8.5	0.33	38.1	1.50	43.1	1.70	5.0	0.20

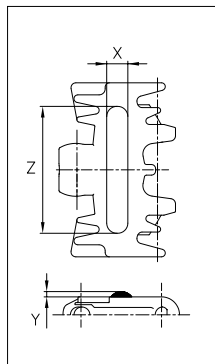
All dimensions are for chains in POM material.

	Width (W)		Material & color	Pin material	Weight		Min. radius (R)	
	mm	in			kg/m	lb/ft	mm	in
K325	82.6	3.25	POM-DI W	SS304	1.0	0.67	200	7.87

Non standard material and color: See uni Material and Color Overview.
 Non standard pin material: See uni Material and Color Overview.

Accessories

Rubber Top/NON STANDARD

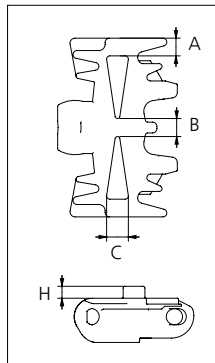
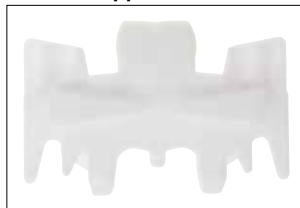


When ordering, please state the required distance between the Rubber Top.

Other Non Standard rubber profiles:
 See uni Rubber Profile Overview.

Width	Link material	Rubber material	Z		X		Y	
			mm	in	mm	in	mm	in
K325	POM-DI W	05 I	60	2.36	10	0.39	2.5	0.10

Product Support/NON STANDARD



Width	Link material	H		A		B		C	
		mm	in	mm	in	mm	in	mm	in
K325	POM-DI W	5.5	0.22						
		10.0	0.39	8.2	0.32	7.3	0.29	10.2	0.40
		17.0	0.67						



STANDARD

SIDE FLEXING

PITCH 38.1 MM/1.50 IN

Sprocket

No. of teeth	Pitch diameter		Overall diameter		Min. ø bore		Max. ø bore		Hub diameter		Dimension A		Dimension B		Molded PA6 LG	Molded Cast Iron
	mm	in	mm	in	mm	in	mm	in	mm	in	mm	in	mm	in		
Z9	111.4	4.39	109.7	4.32	20.0	0.80	40.0	1.60	70.0	2.76	55.9	2.20	63.2	2.49	x	x
Z10	123.3	4.85	122.3	4.81	20.0	0.80	40.0	1.60	70.0	2.76	62.2	2.45	69.2	2.72	x	x
Z11	135.2	5.32	134.8	5.31	20.0	0.80	40.0	1.60	70.0	2.76	68.4	2.69	75.1	2.96	x	x
Z12	147.2	5.80	147.2	5.80	20.0	0.80	40.0	1.60	70.0	2.76	74.6	2.94	81.1	3.19	x	x
Z15	183.3	7.22	184.3	7.26	20.0	0.80	40.0	1.60	70.0	2.76	93.2	3.67	99.2	3.91	x	x

Two part sprocket

No. of teeth	Pitch diameter		Overall diameter		Min. ø bore		Max. ø bore		Hub diameter		Dimension A		Dimension B		Molded PA6 LG
	mm	in	mm	in	mm	in	mm	in	mm	in	mm	in	mm	in	
Z9	111.4	4.39	109.7	4.32	20.0	0.80	40.0	1.60	70.0	2.76	55.9	2.20	63.2	2.49	x
Z10	123.3	4.85	122.3	4.81	20.0	0.80	40.0	1.60	70.0	2.76	62.2	2.45	69.2	2.72	x
Z11	135.2	5.32	134.8	5.31	20.0	0.80	40.0	1.60	70.0	2.76	68.4	2.69	75.1	2.96	x
Z12	147.2	5.80	147.2	5.80	20.0	0.80	40.0	1.60	70.0	2.76	74.6	2.94	81.1	3.19	x

Non standard material and color:
See uni Material and Color Overview.

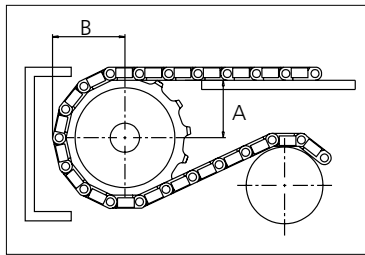
Molded sprocket



Cast iron sprocket



Molded two part sprocket



Please ensure that sufficient size shaft and keyway are chosen for corresponding load.

Other sprocket sizes are available upon request
Width of tooth: 15.8 mm/0.62 in
Width of sprocket: 42.3 mm/1.67 in
uni Retainer Rings: See uni Retainer Ring data sheet
uni Idler: See uni Idler data sheet



Expert advice, quality solutions and local service for all your belting needs
www.ammeraalbeltech.com

Ammeraal Beltech Modular A/S
Hjulgagervej 21
DK-7100 Vejle

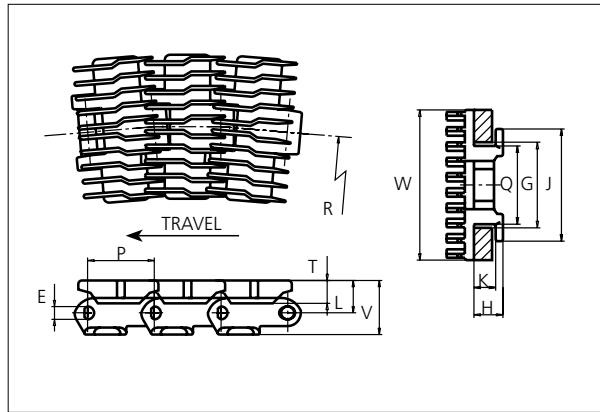
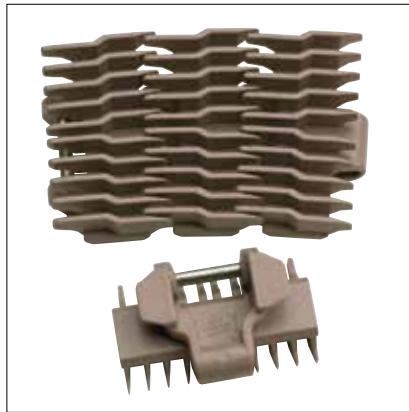
T +45 7572 3100
F +45 7572 3348
admin@unichains.com
www.unichains.com

This information is subject to alteration due to continuous development. Ammeraal Beltech will not be held liable for the incorrect use of the above stated information. This information replaces previous information. All activities performed and services rendered by Ammeraal Beltech are subject to general terms and conditions of sale and delivery, as applied by its operating companies.



Special Plastic Chain

Series **uni 880** Type **Rib Flex**



Special Plastic Chain
 Side flexing chain
 Pitch: 38.1 mm (1.50 in)
 Backflex radius:
 90.0 mm (3.5 in)
 Permissible tensile strength:
 POM material:
 1800 N (405 lbf)
 Standard shipping lengths:
 boxes of 80 links
 = 3.048 m (10.0 ft)

NON STANDARD

E		G		H		J		K		L		P		Q		T		V	
mm	in	mm	in	mm	in	mm	in	mm	in	mm	in	mm	in	mm	in	mm	in	mm	in
7.2	0.28	44.5	1.75	15.9	0.63	61.5	2.42	11.9	0.47	18.5	0.73	38.1	1.50	42.9	1.69	14.9	0.59	30.7	1.21

All dimensions are for chains in POM material.

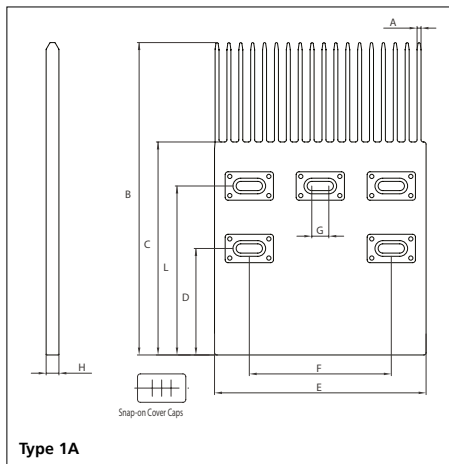
	Width (W)		Recommended material & color	Recommended pin material	Weight		Min. radius (R)	
	mm	in			kg/m	lb/ft	mm	in
K250	63.5	2.50	POM-LF BR	SS304	1.2	0.81	457	17.99
K325	82.6	3.25	POM-LF BR	SS304	1.3	0.87	457	17.99
K450	114.3	4.50	POM-LF BR	SS304	1.5	1.01	457	17.99

Non standard material and color: See uni Material and Color Overview.
 Non standard pin material: See uni Material and Color Overview.

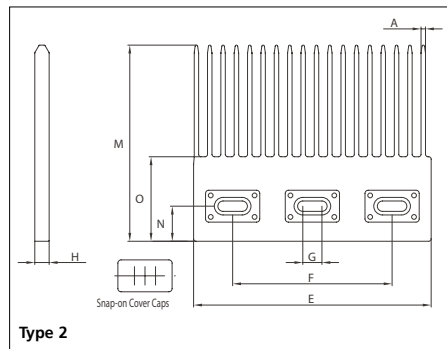
Accessories

Finger plates

Single Sided



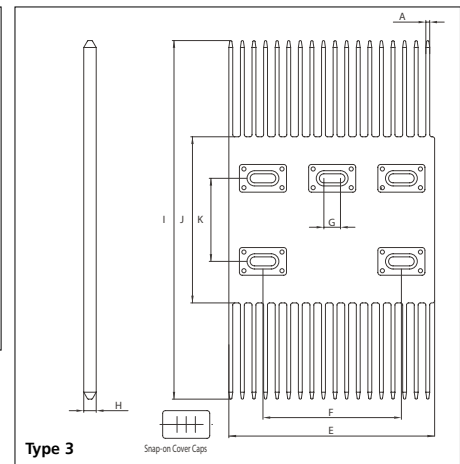
Single Sided



Material for finger plates: POM-LF **BR**

Non standard material and color:
 See uni Material and Color Overview.

Double Sided



For the ribbed versions of uni special chains finger plates are available to facilitate product transfer between two conveyors. The finger plates are supplied with cover caps to close the screw holes. The cover caps can easily be removed with a screw driver.



A		B		C		D		E		F		G		H	
mm	in	mm	in	mm	in	mm	in	mm	in	mm	in	mm	in	mm	in
2.8	0.11	220.0	8.66	150.0	5.91	75.0	2.95	149.0	5.87	100.0	3.94	12.0	0.47	9.0	0.35
I		J		K		L		M		N		O		-	
mm	in	mm	in	mm	in	mm	in	mm	in	mm	in	mm	in	mm	in
259.0	10.20	120.0	4.72	60.0	2.36	119.0	4.69	123.0	4.84	22.0	0.87	53.0	2.09	-	-

SIDE FLEXING

PITCH 38.1 MM/1.50 IN

Sprocket

No. of teeth	Pitch diameter		Overall diameter		Min. ø bore		Max. ø bore		Hub diameter		Dimension A		Dimension B		Molded PA6 LG	Molded Cast Iron
	mm	in	mm	in	mm	in	mm	in	mm	in	mm	in	mm	in		
Z9	111.4	4.39	109.7	4.32	20.0	0.80	40.0	1.60	70.0	2.76	55.9	2.20	63.2	2.49	✓	✓
Z10	123.3	4.85	122.3	4.81	20.0	0.80	40.0	1.60	70.0	2.76	62.2	2.45	69.2	2.72	✓	✓
Z11	135.2	5.32	134.8	5.31	20.0	0.80	40.0	1.60	70.0	2.76	68.4	2.69	75.1	2.96	✓	✓
Z12	147.2	5.80	147.2	5.80	20.0	0.80	40.0	1.60	70.0	2.76	74.6	2.94	81.1	3.19	✓	✓
Z15	183.3	7.22	184.3	7.26	20.0	0.80	40.0	1.60	70.0	2.76	93.2	3.67	99.2	3.91	✓	✓

Two part sprocket

No. of teeth	Pitch diameter		Overall diameter		Min. ø bore		Max. ø bore		Hub diameter		Dimension A		Dimension B		Molded PA6 LG
	mm	in	mm	in	mm	in	mm	in	mm	in	mm	in	mm	in	
Z9	111.4	4.39	109.7	4.32	20.0	0.80	40.0	1.60	70.0	2.76	55.9	2.20	63.2	2.49	✓
Z10	123.3	4.85	122.3	4.81	20.0	0.80	40.0	1.60	70.0	2.76	62.2	2.45	69.2	2.72	✓
Z11	135.2	5.32	134.8	5.31	20.0	0.80	40.0	1.60	70.0	2.76	68.4	2.69	75.1	2.96	✓
Z12	147.2	5.80	147.2	5.80	20.0	0.80	40.0	1.60	70.0	2.76	74.6	2.94	81.1	3.19	✓

Non standard material and color:
See uni Material and Color Overview.

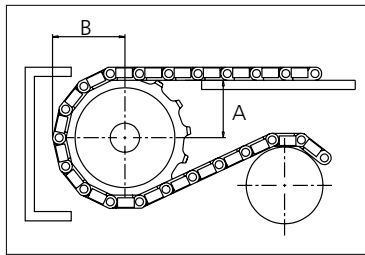
Molded sprocket



Cast iron sprocket



Molded two part sprocket



Please ensure that sufficient size shaft and keyway are chosen for corresponding load.

Other sprocket sizes are available upon request

Width of tooth: 15.8 mm/0.62 in

Width of sprocket: 42.3 mm/1.67 in

uni Retainer Rings: See uni Retainer Ring data sheet

uni Idler: See uni Idler data sheet

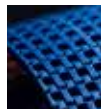
uni 880 Rib Flex/1401



Conveyor Belts



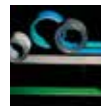
Seamless Belts



Modular Belts



Timing Belts



Transmission Belts



Fabrication & service

Solid advice
For all your belting needs
Local stock & service
www.ammeraalbeltech.com

Ammeraal Beltech Modular A/S
Hjulmagervej 21
DK-7100 Vejle

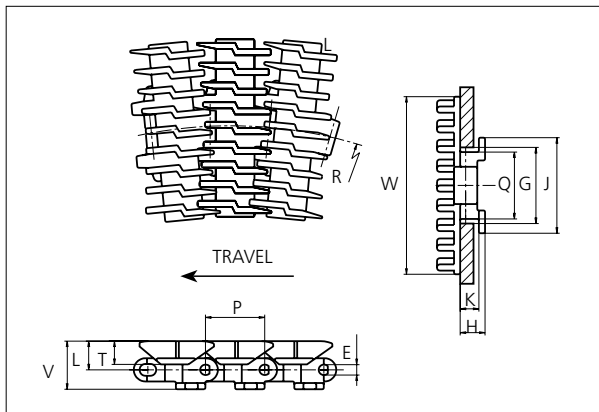
T +45 7572 3100
F +45 7572 3348
admin@unichains.com
www.unichains.com

This information is subject to alteration due to continuous development. Ammeraal Beltech will not be held liable for the incorrect use of the above stated information. This information replaces previous information. All activities performed and services rendered by Ammeraal Beltech are subject to general terms and conditions of sale and delivery, as applied by its operating companies.



Special Plastic Chain

Series **uni 880** Type **Rib**



Special Plastic Chain
 Side flexing chain
 Pitch: 38.1 mm (1.50 in)
 Backflex radius:
 35.0 mm (1.4 in)
 Permissible tensile strength:
 POM material:
 1800 N (405 lbf)

 Standard shipping lengths:
 boxes of 80 links
 = 3.048 m (10.0 ft)

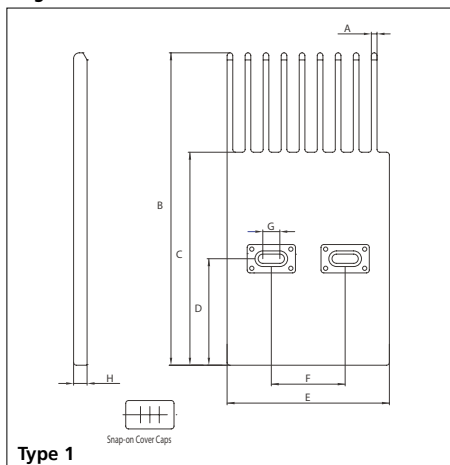
E		G		H		J		K		L		P		Q		T		V	
mm	in	mm	in	mm	in	mm	in	mm	in	mm	in	mm	in	mm	in	mm	in	mm	in
7.1	0.28	44.5	1.75	16.0	0.63	61.5	2.42	11.9	0.47	18.5	0.73	38.1	1.50	42.9	1.69	15.0	0.59	31.1	1.22

All dimensions are for chains in POM material.

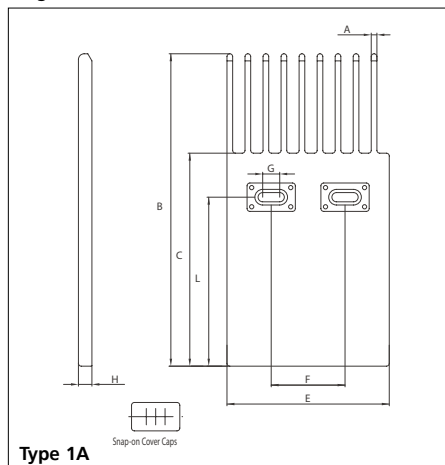
Accessories

Finger plates

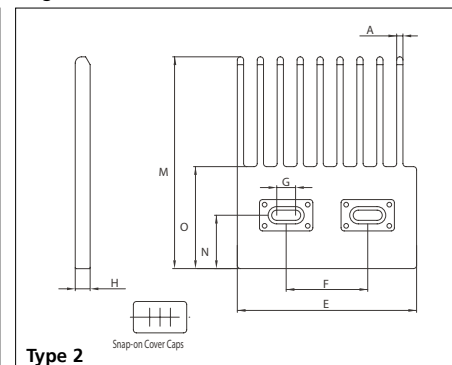
Single Sided



Single Sided



Single Sided



Material for finger plates: POM-LF **BR**

Non standard material and color:
 See uni Material and Color Overview.

For the ribbed versions of uni special chains finger plates are available to facilitate product transfer between two conveyors. The finger plates are supplied with cover caps to close the screw holes. The cover caps can easily be removed with a screw driver.

A		B		C		D		E		F	
mm	in	mm	in	mm	in	mm	in	mm	in	mm	in
4.0	0.16	220.0	8.66	150.0	5.91	75.0	2.95	114.3	4.50	52.0	2.05

G		H		L		M		N		O	
mm	in	mm	in	mm	in	mm	in	mm	in	mm	in
12.0	0.47	9.5	0.37	119.0	4.69	135.0	5.31	34.0	1.34	65.0	2.56



NON STANDARD

SIDE FLEXING

PITCH 38.1 MM/1.50 IN

Sprocket

No. of teeth	Pitch diameter		Overall diameter		Min. ϕ bore		Max. ϕ bore		Hub diameter		Dimension A		Dimension B		Molded PA6 LG	Molded Cast Iron
	mm	in	mm	in	mm	in	mm	in	mm	in	mm	in	mm	in		
Z9	111.4	4.39	109.7	4.32	20.0	0.80	40.0	1.60	70.0	2.76	55.9	2.20	63.2	2.49	✓	✓
Z10	123.3	4.85	122.3	4.81	20.0	0.80	40.0	1.60	70.0	2.76	62.2	2.45	69.2	2.72	✓	✓
Z11	135.2	5.32	134.8	5.31	20.0	0.80	40.0	1.60	70.0	2.76	68.4	2.69	75.1	2.96	✓	✓
Z12	147.2	5.80	147.2	5.80	20.0	0.80	40.0	1.60	70.0	2.76	74.6	2.94	81.1	3.19	✓	✓
Z15	183.3	7.22	184.3	7.26	20.0	0.80	40.0	1.60	70.0	2.76	93.2	3.67	99.2	3.91	✓	✓

Two part sprocket

No. of teeth	Pitch diameter		Overall diameter		Min. ϕ bore		Max. ϕ bore		Hub diameter		Dimension A		Dimension B		Molded PA6 LG
	mm	in	mm	in	mm	in	mm	in	mm	in	mm	in	mm	in	
Z9	111.4	4.39	109.7	4.32	20.0	0.80	40.0	1.60	70.0	2.76	55.9	2.20	63.2	2.49	✓
Z10	123.3	4.85	122.3	4.81	20.0	0.80	40.0	1.60	70.0	2.76	62.2	2.45	69.2	2.72	✓
Z11	135.2	5.32	134.8	5.31	20.0	0.80	40.0	1.60	70.0	2.76	68.4	2.69	75.1	2.96	✓
Z12	147.2	5.80	147.2	5.80	20.0	0.80	40.0	1.60	70.0	2.76	74.6	2.94	81.1	3.19	✓

Non standard material and color:
See uni Material and Color Overview.

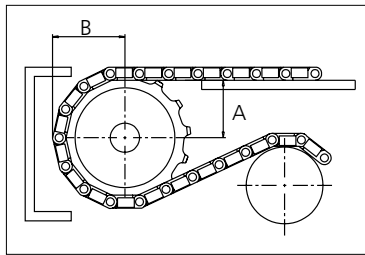
Molded sprocket



Cast iron sprocket



Molded two part sprocket



Please ensure that sufficient size shaft and keyway are chosen for corresponding load.

Other sprocket sizes are available upon request

Width of tooth: 15.8 mm/0.62 in

Width of sprocket: 42.3 mm/1.67 in

uni Retainer Rings: See uni Retainer Ring data sheet

uni Idler: See uni Idler data sheet

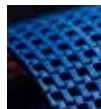
uni 880 Rib/160G24



Conveyor Belts



Seamless Belts



Modular Belts



Timing Belts



Transmission Belts



Fabrication & service

Solid advice
For all your belting needs
Local stock & service
www.ammeraalbeltech.com

Ammeraal Beltech Modular A/S
Hjulmagervej 21
DK-7100 Vejle

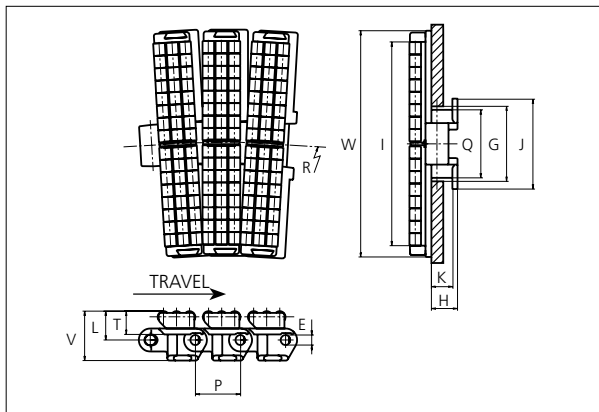
T +45 7572 3100
F +45 7572 3348
admin@unichains.com
www.unichains.com

This information is subject to alteration due to continuous development. Ammeraal Beltech will not be held liable for the incorrect use of the above stated information. This information replaces previous information. All activities performed and services rendered by Ammeraal Beltech are subject to general terms and conditions of sale and delivery, as applied by its operating companies.



Special Plastic Chains

Series **uni 882** Type **Tab PRR**



Special Plastic Chains
 Side flexing chain
 Pitch: 38.1 mm (1.50 in)
 Backflex radius:
 101.0 mm (4.00 in)
 Permissible tensile strength:
 POM material: 4000 N (899 lbf)

 Standard shipping lengths:
 boxes of 80 links
 = 3.048 m (10.0 ft)

 Axle materials for $\varnothing 5.0$ mm
 (0.20 in) accumulation rollers: See
 uni Material and Color Overview.

STANDARD

E		G		H		I (K325)		I (K400)		I (K750)		J		K		L		P		Q		T		V			
mm	in	mm	in	mm	in	mm	in	mm	in	mm	in	mm	in	mm	in	mm	in	mm	in	mm	in	mm	in	mm	in	mm	in
8.7	0.34	59.5	2.34	22.2	0.87	79.3	3.12	98.3	3.87	174.5	6.87	76.2	3.00	17.5	0.69	23.5	0.93	38.1	1.50	57.2	2.25	19.0	0.75	41.2	1.62		

All dimensions are for chains in POM material.

	Width (W)		Base material & color	Roller material & color	Pin material	Weight		Min. radius (R)	
	mm	in				kg/m	lb/ft	mm	in
K375	95.3	3.75	POM-LF BR	POM-LF BR	SS304	3.4	2.28	610	24.02
K450	114.3	4.50	POM-LF BR	POM-LF BR	SS304	3.9	2.62	610	24.02
K750	190.5	7.50	POM-LF BR	POM-LF BR	SS304	5.6	3.76	610	24.02

Non standard material and color: See uni Material and Color Overview.

Non standart pin material: See uni Material and Color Overview.

SIDE FLEXING

PITCH 38.1 MM/1.50 IN



Sprocket

No of teeth	Pitch diameter		Overall-diameter		Min. ø bore		Max. ø bore		Hub-diameter		Dimension A		Dimension B		Molded PA6 LG	Molded Cast Iron	Machined PA6 LG
	mm	in	mm	in	mm	in	mm	in	mm	in	mm	in	mm	in			
Z9	111.4	4.39	112.7	4.44	20.0	0.79	45.0	1.77	60.0	2.36	57.1	2.25	65.4	2.57	✓	✓	
Z10	123.3	4.85	125.0	4.92	20.0	0.79	45.0	1.77	65.0	2.56	63.4	2.50	71.3	2.81	✓	✓	
Z11	135.2	5.32	137.4	5.41	20.0	0.79	50.0	1.97	73.5	2.89	69.6	2.74	77.3	3.04	✓	✓	
Z12	147.2	5.80	150.6	5.93	20.0	0.79	50.0	1.97	73.5	2.89	75.8	2.98	83.3	3.28	✓	✓	
Z15	183.3	7.22	186.9	7.36	20.0	0.79	50.0	1.97	120.0	4.72	94.3	3.71	101.3	3.99		✓	✓

Two part sprocket

No of teeth	Pitch diameter		Overall-diameter		Min. ø bore		Max. ø bore		Hub-diameter		Dimension A		Dimension B		Molded PA6 LG
	mm	in	mm	in	mm	in	mm	in	mm	in	mm	in	mm	in	
Z9	111.4	4.39	112.7	4.31	20.0	0.79	45.0	1.77	60.0	2.36	57.1	2.25	65.4	2.57	✓
Z10	123.3	4.85	125.0	4.81	20.0	0.79	45.0	1.77	65.0	2.56	63.4	2.50	71.3	2.81	✓
Z11	135.2	5.32	137.4	5.30	20.0	0.79	50.0	1.97	73.5	2.89	69.6	2.74	77.3	3.04	✓
Z12	147.2	5.80	150.6	5.79	20.0	0.79	50.0	1.97	73.5	2.89	75.8	2.98	83.3	3.28	✓

Molded sprocket



Cast iron sprocket



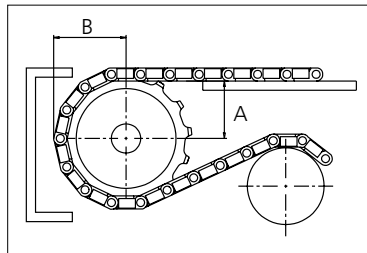
Machined sprocket



Molded two part sprocket



Non standard material and color:
See uni Material and Color Overview.



Please ensure that sufficient size shaft and keyway are chosen for corresponding load.

Other sprocket sizes are available upon request

Width of tooth: 22.20 mm/0.87 in

Width of sprocket: 42.3 mm/1.70 in

uni Retainer Rings: See uni Retainer Ring data sheet

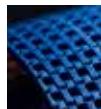
uni 882 Tab PRR/180525



Conveyor Belts



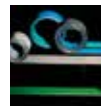
Seamless Belts



Modular Belts



Timing Belts



Transmission Belts



Fabrication & service

Solid advice
For all your belting needs
Local stock & service
www.ammeraalbeltech.com

Ammeraal Beltech Modular A/S
Hjulmagervej 21
DK-7100 Vejle

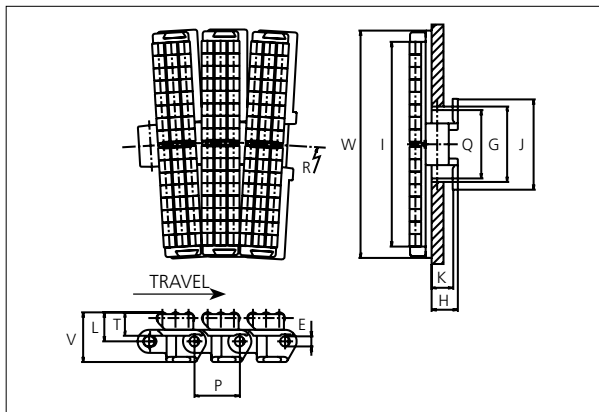
T +45 7572 3100
F +45 7572 3348
admin@unichains.com
www.unichains.com

This information is subject to alteration due to continuous development. Ammeraal Beltech will not be held liable for the incorrect use of the above stated information. This information replaces previous information. All activities performed and services rendered by Ammeraal Beltech are subject to general terms and conditions of sale and delivery, as applied by its operating companies.



Special Plastic Chain

Series **uni 882** Type **Tab PRR4**



Special Plastic Chain

Side flexing chain
 Pitch: 38.1 mm (1.50 in)
 Backflex radius:
 101.0 mm (4.0 in)
 Permissible tensile strength:
 POM material:
 4000 N (899 lbf)
 Standard shipping lengths:
 boxes of 80 links
 = 3.048 m (10.0 ft)
 Axle materials for $\varnothing 4.0$ mm
 (0.16 in) accumulation rollers: See
 uni Material and Color Overview.

E		G		H		I (K325)		I (K400)		I (K750)		J		K		L		P		Q		T		V			
mm	in	mm	in	mm	in	mm	in	mm	in	mm	in	mm	in	mm	in	mm	in	mm	in	mm	in	mm	in	mm	in	mm	in
8.7	0.34	59.5	2.34	22.2	0.87	79.3	3.12	98.3	3.87	174.5	6.87	76.2	3.00	17.5	0.69	23.5	0.93	38.1	1.50	57.2	2.25	19.0	0.75	41.2	1.62		

All dimensions are for chains in POM material.

	Width (W)		Recommended base material & color	Recommended roller material & color	Recommended pin material	Weight		Min. radius (R)	
	mm	in				kg/m	lb/ft	mm	in
K375	95.3	3.75	POM-LF BR	POM-D K	SS304	3.4	2.30	610	24.02
K450	114.3	4.50	POM-LF BR	POM-D K	SS304	3.9	2.55	610	24.02
K750	190.5	7.50	POM-LF BR	POM-D K	SS304	5.7	3.83	610	24.02

Non standard material and color: See uni Material and Color Overview.

Non standart pin material: See uni Material and Color Overview.

NON STANDARD

SIDE FLEXING

PITCH 38.1 MM/1.50 IN



Sprocket

No of teeth	Pitch diameter		Overall-diameter		Min. ø bore		Max. ø bore		Hub-diameter		Dimension A		Dimension B		Molded PA6 LG	Molded Cast Iron	Machined PA6 N
	mm	in	mm	in	mm	in	mm	in	mm	in	mm	in	mm	in			
Z9	111.4	4.39	112.7	4.44	20.0	0.79	45.0	1.77	60.0	2.36	57.1	2.25	65.4	2.57	✓	✓	
Z10	123.3	4.85	125.0	4.92	20.0	0.79	45.0	1.77	65.0	2.56	63.4	2.50	71.3	2.81	✓	✓	
Z11	135.2	5.32	137.4	5.41	20.0	0.79	50.0	1.97	73.5	2.89	69.6	2.74	77.3	3.04	✓	✓	
Z12	147.2	5.80	150.6	5.93	20.0	0.79	50.0	1.97	73.5	2.89	75.8	2.98	83.3	3.28	✓	✓	
Z15	183.3	7.22	186.9	7.36	20.0	0.79	50.0	1.97	120.0	4.72	94.3	3.71	101.3	3.99		✓	✓

Two part sprocket

No of teeth	Pitch diameter		Overall-diameter		Min. ø bore		Max. ø bore		Hub-diameter		Dimension A		Dimension B		Molded PA6 LG
	mm	in	mm	in	mm	in	mm	in	mm	in	mm	in	mm	in	
Z9	111.4	4.39	112.7	4.31	20.0	0.79	45.0	1.77	60.0	2.36	57.1	2.25	65.4	2.57	✓
Z10	123.3	4.85	125.0	4.81	20.0	0.79	45.0	1.77	65.0	2.56	63.4	2.50	71.3	2.81	✓
Z11	135.2	5.32	137.4	5.30	20.0	0.79	50.0	1.97	73.5	2.89	69.6	2.74	77.3	3.04	✓
Z12	147.2	5.80	150.6	5.79	20.0	0.79	50.0	1.97	73.5	2.89	75.8	2.98	83.3	3.28	✓

Molded sprocket



Cast iron sprocket



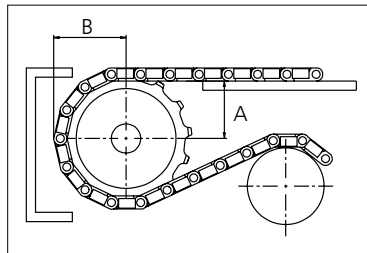
Machined sprocket



Molded two part sprocket



Non standard material and color:
See uni Material and Color Overview.



Please ensure that sufficient size shaft and keyway are chosen for corresponding load.

Other sprocket sizes are available upon request

Width of tooth: 22.20 mm/0.87 in

Width of sprocket: 42.3 mm/1.70 in

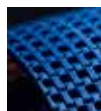
uni Retainer Rings: See uni Retainer Ring data sheet



Conveyor Belts



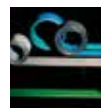
Seamless Belts



Modular Belts



Timing Belts



Transmission Belts



Fabrication & service

Solid advice
For all your belting needs
Local stock & service
www.ammeraalbeltech.com

Ammeraal Beltech Modular A/S
Hjulmagervej 21
DK-7100 Vejle

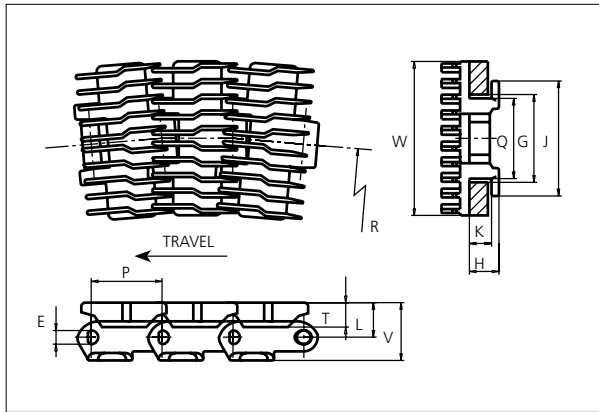
T +45 7572 3100
F +45 7572 3348
admin@unichains.com
www.unichains.com

This information is subject to alteration due to continuous development. Ammeraal Beltech will not be held liable for the incorrect use of the above stated information. This information replaces previous information. All activities performed and services rendered by Ammeraal Beltech are subject to general terms and conditions of sale and delivery, as applied by its operating companies.



Special Plastic Chain

Series **uni 882** Type **Rib Flex**



Special Chains
 Side flexing chain
 Pitch: 38.1 mm (1.50 in)
 Backflex radius:
 75.0 mm (3.00 in)
 Permissible tensile strength:
 POM material:
 4000 N (899 lbf)

 Standard shipping lengths:
 boxes of 80 links
 = 3.048 m (10.0 ft)

E		G		H		J		K		L		P		Q		T		V	
mm	in	mm	in	mm	in	mm	in	mm	in	mm	in	mm	in	mm	in	mm	in	mm	in
8.7	0.34	59.5	2.34	22.2	0.87	76.20	3.00	17.5	0.69	19.7	0.78	38.1	1.50	57.2	2.25	15.0	0.59	37.0	1.46

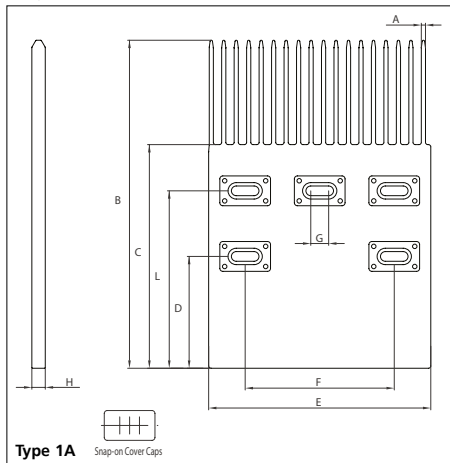
All dimensions are for chains in POM material.

	Width (W)		Recommended material & color	Recommended pin material	Weight		min. radius R	
	mm	in			kg/m	lb/ft	mm	in
K600	147.4	5.80	POM-LF BR	SS304	2.4	1.61	610.0	24.02

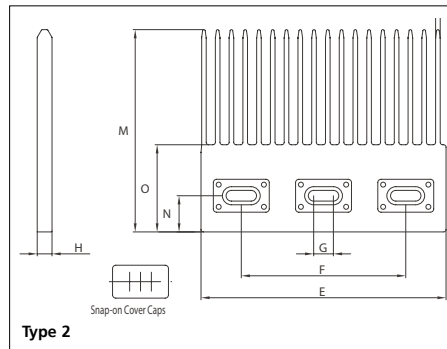
Non standard material and color: See uni Material and Color Overview.
 Non standard pin material: See uni Material and Color Overview.

Accessories

Finger plates Single Sided

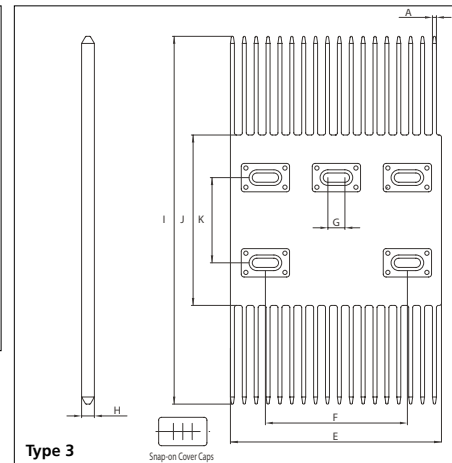


Single Sided



Material for finger plates: POM-LF BR
 Non standard material and color:
 See uni Material and Color Overview.

Double Sided



For the ribbed versions of uni special chains finger plates are available to facilitate product transfer between two conveyors.

The finger plates are supplied with cover caps to close the screw holes. The cover caps can easily be removed with a screw driver.

A		B		C		D		E		F		G		H	
mm	in	mm	in	mm	in	mm	in	mm	in	mm	in	mm	in	mm	in
2.8	0.11	220.0	8.66	150.0	5.91	75.0	2.95	149.0	5.87	100.0	3.94	12.0	0.47	9.0	0.35
I		J		K		L		M		N		O		-	
mm	in	mm	in	mm	in	mm	in	mm	in	mm	in	mm	in	mm	in
259.0	10.20	120.0	4.72	60.0	2.36	119.0	4.69	123.0	4.84	22.0	0.87	53.0	2.09	-	-



NON STANDARD

SIDE FLEXING

PITCH 38.1 MM/1.50 IN

Sprocket

No of teeth	Pitch diameter		Overall-diameter		Min. ø bore		Max. ø bore		Hub-diameter		Dimension A		Dimension B		Molded PA6 LG	Molded Cast Iron	Machined PA6 LG
	mm	in	mm	in	mm	in	mm	in	mm	in	mm	in	mm	in			
Z9	111.4	4.39	112.7	4.44	20.0	0.79	45.0	1.77	60.0	2.36	57.1	2.25	65.4	2.57	✓	✓	
Z10	123.3	4.85	125.0	4.92	20.0	0.79	45.0	1.77	65.0	2.56	63.4	2.50	71.3	2.81	✓	✓	
Z11	135.2	5.32	137.4	5.41	20.0	0.79	50.0	1.97	73.5	2.89	69.6	2.74	77.3	3.04	✓	✓	
Z12	147.2	5.80	150.6	5.93	20.0	0.79	50.0	1.97	73.5	2.89	75.8	2.98	83.3	3.28	✓	✓	
Z15	183.3	7.22	186.9	7.36	20.0	0.79	50.0	1.97	120.0	4.72	94.3	3.71	101.3	3.99		✓	✓

Two part sprocket

No of teeth	Pitch diameter		Overall-diameter		Min. ø bore		Max. ø bore		Hub-diameter		Dimension A		Dimension B		Molded PA6 LG
	mm	in	mm	in	mm	in	mm	in	mm	in	mm	in	mm	in	
Z9	111.4	4.39	112.7	4.31	20.0	0.79	45.0	1.77	60.0	2.36	57.1	2.25	65.4	2.57	✓
Z10	123.3	4.85	125.0	4.81	20.0	0.79	45.0	1.77	65.0	2.56	63.4	2.50	71.3	2.81	✓
Z11	135.2	5.32	137.4	5.30	20.0	0.79	50.0	1.97	73.5	2.89	69.6	2.74	77.3	3.04	✓
Z12	147.2	5.80	150.6	5.79	20.0	0.79	50.0	1.97	73.5	2.89	75.8	2.98	83.3	3.28	✓

Molded sprocket



Cast iron sprocket



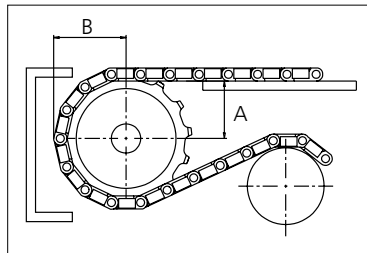
Machined sprocket



Molded two part sprocket



Non standard material and color:
See uni Material and Color Overview.



Please ensure that sufficient size shaft and keyway are chosen for corresponding load.

Other sprocket sizes are available upon request

Width of tooth: 22.20 mm/0.87 in

Width of sprocket: 42.3 mm/1.70 in

uni Retainer Rings: See uni Retainer Ring data sheet

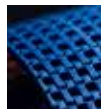
uni 882 Rib Flex/160624



Conveyor Belts



Seamless Belts



Modular Belts



Timing Belts



Transmission Belts



Fabrication & service

Solid advice
For all your belting needs
Local stock & service
www.ammeraalbeltech.com

Ammeraal Beltech Modular A/S
Hjulmagervej 21
DK-7100 Vejle

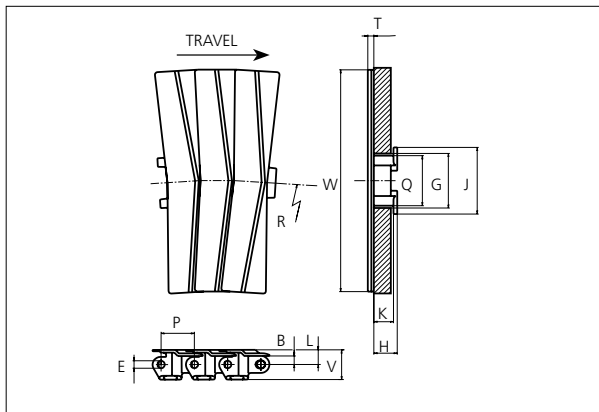
T +45 7572 3100
F +45 7572 3348
admin@unichains.com
www.unichains.com

This information is subject to alteration due to continuous development. Ammeraal Beltech will not be held liable for the incorrect use of the above stated information. This information replaces previous information. All activities performed and services rendered by Ammeraal Beltech are subject to general terms and conditions of sale and delivery, as applied by its operating companies.



Special Plastic Chain

Series **uni 882** Type **Tab SC**



Special Plastic Chain
 Side flexing chain
 Pitch: 38.1 mm (1.50 in)
 Backflex radius: 125.0 mm (4.90 in)
 Permissible tensile strength:
 POM material: 4000 N (899 lbf)

 Standard shipping lengths:
 boxes of 80 links
 = 3.048 m (10.0 ft)

STANDARD

B		E		G		H		J		K		L		P		Q		T		V	
mm	in	mm	in	mm	in	mm	in	mm	in	mm	in	mm	in	mm	in	mm	in	mm	in	mm	in
9.7	0.38	8.7	0.34	59.5	2.34	21.9	0.86	76.2	3.00	17.5	0.69	16.7	0.66	38.1	1.50	57.2	2.25	7.0	0.28	29.0	1.14

All dimensions are for chains in POM material.

	Width (W)		Material & color	Pin material	Weight		min. radius R	
	mm	in			kg/m	lb/ft	mm	in
K450	114.3	4.50	POM-LF BR	SS304	2.2	1.48	610	24.02
K750	190.5	7.50	POM-LF BR	SS304	3.0	2.01	610	24.02
K1000	254.0	10.00	POM-LF BR	SS304	3.4	2.28	610	24.02

Non standard material and color: See uni Material and Color Overview.
 Non standard pin material: See uni Material and Color Overview.

SIDE FLEXING

PITCH 38.1 MM/1.50 IN



Sprocket

No of teeth	Pitch diameter		Overall-diameter		Min. ø bore		Max. ø bore		Hub-diameter		A-dimension		B-dimension		Molded PA6 LG	Molded Cast Iron	Machined PA6 LG
	mm	in	mm	in	mm	in	mm	in	mm	in	mm	in	mm	in			
Z9	111.4	4.39	112.7	4.44	20.0	0.79	45.0	1.77	60.0	2.36	62.0	2.44	73.3	2.89	✓	✓	
Z10	123.3	4.85	125.0	4.92	20.0	0.79	45.0	1.77	65.0	2.56	68.3	2.69	79.3	3.12	✓	✓	
Z11	135.2	5.32	137.4	5.41	20.0	0.79	50.0	1.97	73.5	2.89	74.6	2.94	85.2	3.35	✓	✓	
Z12	147.2	5.80	150.6	5.93	20.0	0.79	50.0	1.97	73.5	2.89	80.8	3.18	91.2	3.59	✓	✓	
Z15	183.3	7.22	186.9	7.36	20.0	0.79	50.0	1.97	120.0	4.72	99.3	3.91	109.1	4.30		✓	✓

Two part sprocket

No of teeth	Pitch diameter		Overall-diameter		Min. ø bore		Max. ø bore		Hub-diameter		A-dimension		B-dimension		Molded PA6 LG
	mm	in	mm	in	mm	in	mm	in	mm	in	mm	in	mm	in	
Z9	111.4	4.39	112.7	4.31	20.0	0.79	45.0	1.77	60.0	2.36	62.0	2.44	73.3	2.89	✓
Z10	123.3	4.85	125.0	4.81	20.0	0.79	45.0	1.77	65.0	2.56	68.3	2.69	79.3	3.12	✓
Z11	135.2	5.32	137.4	5.30	20.0	0.79	50.0	1.97	73.5	2.89	74.6	2.94	85.2	3.35	✓
Z12	147.2	5.80	150.6	5.79	20.0	0.79	50.0	1.97	73.5	2.89	80.8	3.18	91.2	3.59	✓

Molded sprocket



Cast iron sprocket



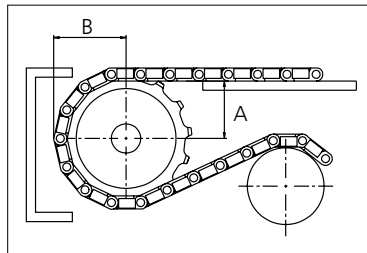
Machined sprocket



Molded two part sprocket



Non standard material and color:
See uni Material and Color Overview.



Please ensure that sufficient size shaft and keyway are chosen for corresponding load.

Other sprocket sizes are available upon request
Width of tooth: 22.20 mm/0.87 in
Width of sprocket: 42.3 mm/1.70 in
uni Retainer Rings: See uni Retainer Ring data sheet

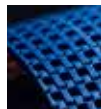
uni 882 Tab SC/160621



Conveyor Belts



Seamless Belts



Modular Belts



Timing Belts



Transmission Belts



Fabrication & service

Solid advice
For all your belting needs
Local stock & service
www.ammeraalbeltech.com

Ammeraal Beltech Modular A/S
Hjulmagervej 21
DK-7100 Vejle

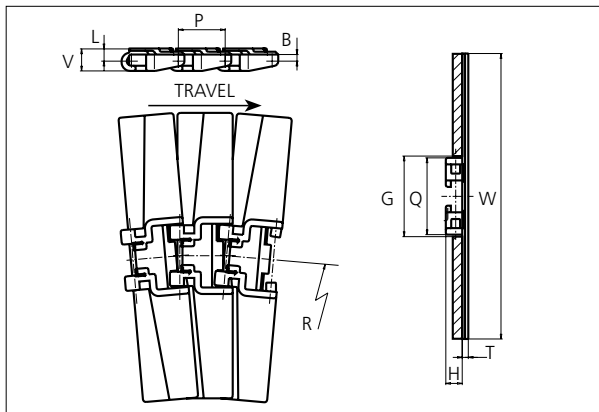
T +45 7572 3100
F +45 7572 3348
admin@unichains.com
www.unichains.com

This information is subject to alteration due to continuous development. Ammeraal Beltech will not be held liable for the incorrect use of the above stated information. This information replaces previous information. All activities performed and services rendered by Ammeraal Beltech are subject to general terms and conditions of sale and delivery, as applied by its operating companies.



Special Plastic Chain

Series **uni 982** Type **SC**



Special Plastic Chain
 Side flexing chain
 Pitch: 50.0 mm (1.97 in)
 Backflex radius:
 200 mm (7.9 in)
 Permissible tensile strength:
 POM material:
 1000 N (225 lbf)

 Standard shipping lengths:
 boxes of 80 links
 = 4.0 m (13.1 ft)

B		G		H		L		P		Q		T		V	
mm	in	mm	in	mm	in	mm	in	mm	in	mm	in	mm	in	mm	in
7.0	0.28	85.0	3.35	17.5	0.69	13.5	0.53	50.0	1.97	82.0	3.23	6.5	0.26	24.0	0.95

All dimensions are for chains in POM material.

Width (W)		Recommended material & color	Weight		Min. radius (R)	
mm	in		kg/m	lb/ft	mm	in
254.0	10.00	POM-SLF B AR W	1.6	1.07	610.0	24.02

Non standard material and color: See uni Material and Color Overview.



NON STANDARD

SIDE FLEXING

PITCH 50.0 MM/1.97 IN

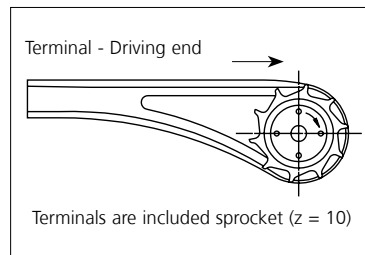
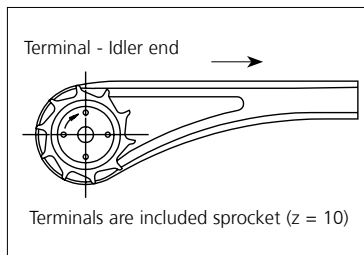
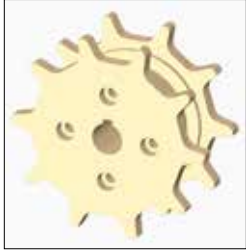


Sprocket

No of teeth	Pitch diameter		Overall-diameter		Min. ϕ bore		Max. ϕ bore		Hub-diameter		Dimension A		Dimension B		Machined  PAG 
	mm	in	mm	in	mm	in	mm	in	mm	in	mm	in	mm	in	
Z10	161.8	6.37	-	-	19.1	0.75	40.0	1.57	64.0	2.52	-	-	-	-	

Non standard material and color:
See uni Material and Color Overview.

Machined sprocket



Please ensure that sufficient size shaft and keyway are chosen for corresponding load.

Other sprocket sizes are available upon request
Width of tooth: 25.0 mm/1.00 in
Width of sprocket: 42.3 mm/1.70 in
uni Retainer Rings: See uni Retainer Ring data sheet

uni 982 SC/170524



Solid advice
For all your belting needs
Local stock & service
www.ammeraalbeltech.com

Ammeraal Beltech Modular A/S
Hjulmagervej 21
DK-7100 Vejle

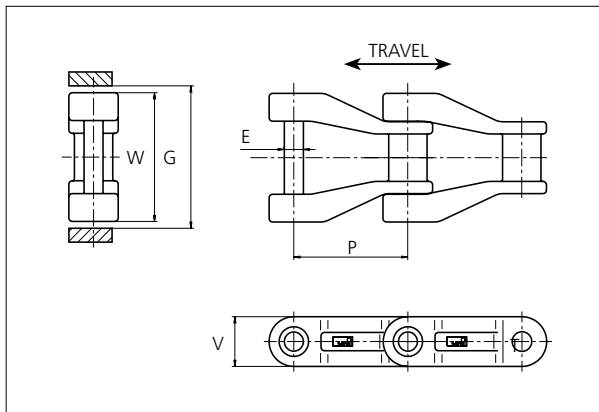
T +45 7572 3100
F +45 7572 3348
admin@unichains.com
www.unichains.com

This information is subject to alteration due to continuous development. Ammeraal Beltech will not be held liable for the incorrect use of the above stated information. This information replaces previous information. All activities performed and services rendered by Ammeraal Beltech are subject to general terms and conditions of sale and delivery, as applied by its operating companies.



Special Plastic Chain

Series **uni NH78** Type -



Special Plastic Chain
 Straight running chain
 Pitch: 66.3 mm (2.61 in)
 Backflex radius: 75.0 mm (3.00 in)
 Permissible tensile strength:
 T1: 9000 N (2023 lbf)
 T2: 7000 N (1574 lbf)
 T3: 6000 N (1349 lbf)
 T4: 6000 N (1349 lbf)
 T5: 5000 N (1124 lbf)

Standard shipping lengths:
 boxes of 92 links
 = 6.100 m (20.0 ft)

STANDARD

E		G		P		V	
mm	in	mm	in	mm	in	mm	in
11.0	0.43	78.0	3.07	66.3	2.61	28.6	1.13

All dimensions are for chains in POM material.

Standard material & colors

	Width (W)		Material & color	Pin material	Pin fixing	Pin ø		Weight	
	mm	in				mm	in	kg/m	lb/ft
uni NH78 T1	74.0	2.91	POM-LF BR POM-D G	SS304	Staked	11.0	0.43	2.1	1.41

STRAIGHT RUNNING


Non Standard material & colors

	Width (W)		Material & color	Pin material	Pin fixing	Pin ø		Weight	
	mm	in				mm	in	kg/m	lb/ft
uni NH78 T2	74.0	2.91	PBT-GR K PA6-GF K	SS304	Staked	11.0	0.43	2.1	1.41
uni NH78 T3	74.0	2.91	PA6-GF K	SS304	Staked (PE sleeve)	10.0	0.39	2.1	1.41
uni NH78 T4	74.0	2.91	PA6-GF K	SS304	Cotterpin (PE sleeve)	10.0	0.39	2.1	1.41
uni NH78 T5	74.0	2.91	PP-AR N	SS304	Staked	11.0	0.43	2.1	1.41

PITCH 66.3 MM/2.61 IN

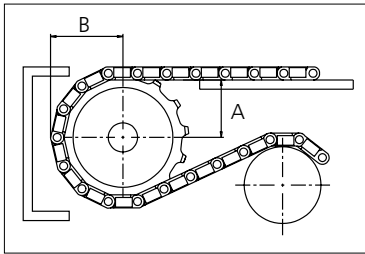


Sprocket

No. of teeth	Pitch diameter		Overall-diameter		Min. ø bore		Max. ø bore		Hub-diameter		A-dimension		B-dimension		 Machined PA6
	mm	in	mm	in	mm	in	mm	in	mm	in	mm	in	mm	in	
Z6	132.6	5.22	137.4	5.40	20.0	0.80	40.0	1.60	65.0	2.60	43.1	1.70	80.6	3.20	✓
Z8	173.3	6.82	182.6	7.20	20.0	0.80	40.0	1.60	65.0	2.60	65.8	2.60	100.9	4.00	✓
Z10	214.5	8.44	226.6	8.90	20.0	0.80	50.0	2.00	73.5	2.90	87.7	3.50	121.6	4.80	✓

Non standard material and color:
See uni Material and Color Overview.

Machined sprocket



Please ensure that sufficient size shaft and keyway are chosen for corresponding load.

Other sprocket sizes are available upon request
Width of tooth: 15.8 mm/0.62 in
Width of sprocket: 42.3 mm/1.67 in
uni Retainer Rings: See uni Retainer Ring data sheet

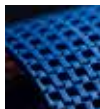
uni NH78/180615



Conveyor Belts



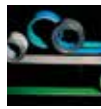
Seamless Belts



Modular Belts



Timing Belts



Transmission Belts



Fabrication & service

Expert advice, quality solutions and local service for all your belting needs
www.ammeraalbeltech.com

Ammeraal Beltech Modular A/S
Hjulmagervej 21
DK-7100 Vejle

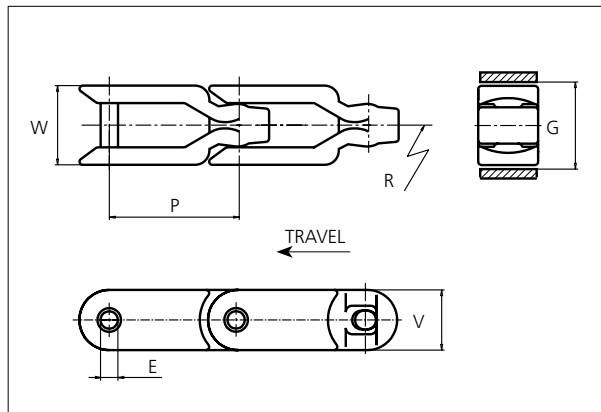
T +45 7572 3100
F +45 7572 3348
admin@unichains.com
www.unichains.com

This information is subject to alteration due to continuous development. Ammeraal Beltech will not be held liable for the incorrect use of the above stated information. This information replaces previous information. All activities performed and services rendered by Ammeraal Beltech are subject to general terms and conditions of sale and delivery, as applied by its operating companies.



uni Flex Plastic Chain

Series **uni 1400** Type -



uni Flex Plastic Chain
 Side flexing chain
 Pitch: 82.5 mm (3.25 in)
 Backflex radius:
 75.0 mm (2.90 in)
 Permissible tensile strength:
 POM material 8000 N
 (1798 lbf)

 Standard shipping lengths:
 boxes of 74 links
 = 6.105 m (20.0 ft)

E		G		P		V	
mm	in	mm	in	mm	in	mm	in
11.0	0.43	54.0	2.13	82.5	3.25	38.0	1.50

All dimensions are for chains in POM material.

Width (W)		Material & color	Pin material	Weight		Min. radius (R)	
mm	in			kg/m	lb/ft	mm	in
50.0	1.97	POM-D	SS304	2.1	1.41	450	17.72

Non standard material and color: See uni Material and Color Overview.

Non standard pin material: See uni Material and Color Overview.

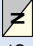
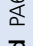
STANDARD

SIDE FLEXING

PITCH 82.5 MM/3.25 IN

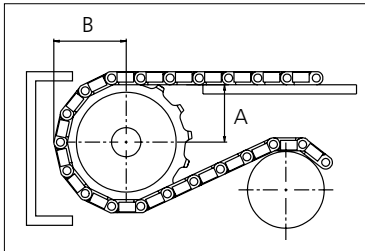


Sprocket

No of teeth	Pitch diameter		Overall-diameter		Min. ø bore		Max. ø bore		Hub-diameter		Dimension A		Dimension B		Machined  PAG 
	mm	in	mm	in	mm	in	mm	in	mm	in	mm	in	mm	in	
Z6	164.5	6.48	177.0	7.00	20.0	0.80	40.0	1.60	63.0	2.50	52.5	2.10	101.5	4.00	✓
Z8	215.2	8.47	227.6	9.00	20.0	0.80	50.0	2.00	75.0	2.95	80.6	3.20	126.8	5.00	✓
Z10	266.7	10.50	279.0	11.00	20.0	0.80	50.0	2.00	75.0	2.95	108.0	4.30	152.5	6.00	✓

Non standard material and color:
See uni Material and Color Overview.

Machined sprocket



Please ensure that sufficient size shaft and keyway are chosen for corresponding load.

Other sprocket sizes are available upon request
Width of tooth: 15.0 mm/0.59 in
Width of sprocket: 42.3 mm/1.67 in
uni Retainer Rings: See uni Retainer Ring data sheet

uni 1400 Open/160621



Solid advice
For all your belting needs
Local stock & service
www.ammeraalbeltech.com

Ammeraal Beltech Modular A/S
Hjulmagervej 21
DK-7100 Vejle

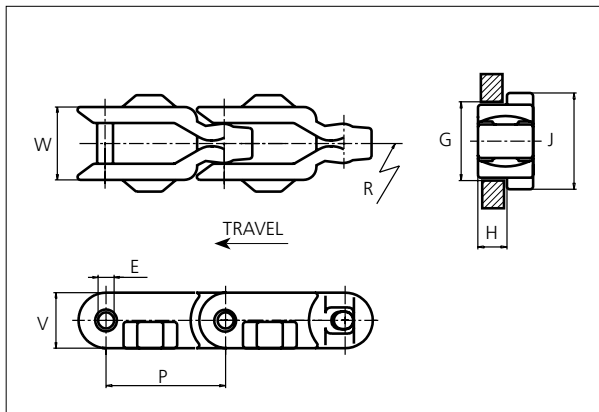
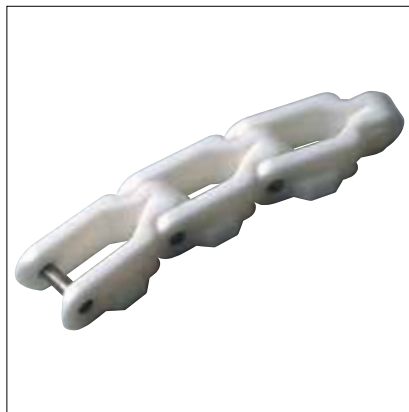
T +45 7572 3100
F +45 7572 3348
admin@unichains.com
www.unichains.com

This information is subject to alteration due to continuous development. Ammeraal Beltech will not be held liable for the incorrect use of the above stated information. This information replaces previous information. All activities performed and services rendered by Ammeraal Beltech are subject to general terms and conditions of sale and delivery, as applied by its operating companies.



uni Flex Plastic Chain

Series **uni 1400** Type **Tab**



uni Flex Plastic Chain
 Side flexing chain
 Pitch: 82.5 mm (3.25 in)
 Backflex radius: 75.0 mm (2.90 in)
 Permissible tensile strength:
 POM material 8000 N (1798 lbf)

 Standard shipping lengths:
 boxes of 74 links
 = 6.105 m (20.0 ft)

STANDARD

E		G		H		J		P		V	
mm	in	mm	in	mm	in	mm	in	mm	in	mm	in
11.0	0.43	54.0	2.13	20.0	0.79	66.0	2.60	82.5	3.25	38.0	1.50

All dimensions are for chains in POM material.

Width (W)		Material & color	Pin material	Weight		Min. radius (R)	
mm	in			kg/m	lb/ft	mm	in
50.0	1.97	POM-D W	SS304	2.3	1.55	450	17.72

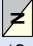
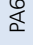
Non standard material and color: See uni Material and Color Overview.
 Non standard pin material: See uni Material and Color Overview.

SIDE FLEXING

PITCH 82.5 MM/3.25 IN

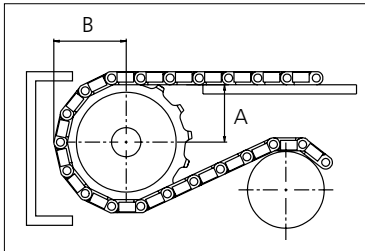


Sprocket

No of teeth	Pitch diameter		Overall-diameter		Min. ø bore		Max. ø bore		Hub-diameter		Dimension A		Dimension B		Machined  PAG 
	mm	in	mm	in	mm	in	mm	in	mm	in	mm	in	mm	in	
Z6	164.5	6.48	177.0	7.00	20.0	0.80	40.0	1.60	63.0	2.50	52.5	2.10	101.5	4.00	✓
Z8	215.2	8.47	227.6	9.00	20.0	0.80	50.0	2.00	75.0	2.95	80.6	3.20	126.8	5.00	✓
Z10	266.7	10.50	279.0	11.00	20.0	0.80	50.0	2.00	75.0	2.95	108.0	4.30	152.5	6.00	✓

Non standard material and color:
See uni Material and Color Overview.

Machined sprocket



Please ensure that sufficient size shaft and keyway are chosen for corresponding load.

Other sprocket sizes are available upon request
Width of tooth: 15.0 mm/0.59 in
Width of sprocket: 42.3 mm/1.67 in
uni Retainer Rings: See uni Retainer Ring data sheet

uni 1400 Tab/160621



Conveyor Belts



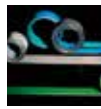
Seamless Belts



Modular Belts



Timing Belts



Transmission Belts



Fabrication & service

Solid advice
For all your belting needs
Local stock & service
www.ammeraalbeltech.com

Ammeraal Beltech Modular A/S
Hjulmagervej 21
DK-7100 Vejle

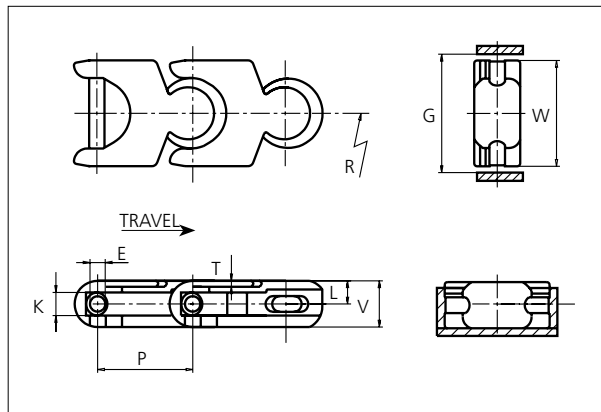
T +45 7572 3100
F +45 7572 3348
admin@unichains.com
www.unichains.com

This information is subject to alteration due to continuous development. Ammeraal Beltech will not be held liable for the incorrect use of the above stated information. This information replaces previous information. All activities performed and services rendered by Ammeraal Beltech are subject to general terms and conditions of sale and delivery, as applied by its operating companies.



uni Flex Plastic Chain

Series **uni 1700** Type -



uni Flex Plastic Chain
 Side flexing chain
 Pitch: 50.0 mm (1.97 in)
 Backflex radius: 75.0 mm (3.00 in)
 Permissible tensile strength:
 POM material 4000 N (899 lbf)

 Standard shipping lengths:
 boxes of 122 links
 = 6.100 m (20.0 ft)

STANDARD

E		G		K		L		P		T		V	
mm	in	mm	in	mm	in	mm	in	mm	in	mm	in	mm	in
8.0	0.31	59.0	2.32	11.9	0.37	12.0	0.47	50.0	1.97	3.1	0.12	24.0	0.94

All dimensions are for chains in POM material.

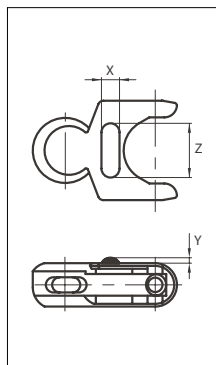
Width (W)		Material & color	Pin material	Weight		Min. radius (R)	
mm	in			kg/m	lb/ft	mm	in
55.0	2.17	POM-D W POM-D G POM-LF BR	SS304	1.4	0.94	150.0	5.91

Non standard material and color: See uni Material and Color Overview.
 Non standard pin material: See uni Material and Color Overview.

SIDE FLEXING

Accessories

Rubber Top



Link material	Rubber material	X		Z		Y	
		mm	in	mm	in	mm	in
POM-D W	05 I	10.0	0.39	30.0	1.18	3.0	0.12

When ordering, please state the required distance between the Rubber Top.

Other Non Standard rubber profiles:
 See uni Rubber Profile Overview

PITCH 50.0 MM/1.97 IN



Sprocket

No of teeth	Pitch diameter		Overall-diameter		Min. ø bore		Max. ø bore		Hub-diameter		Dimension A		Dimension B		Molded PA6 LG	Molded Cast Iron	Machined SS304
	mm	in	mm	in	mm	in	mm	in	mm	in	mm	in	mm	in	✓	✓	✓
Z8	130.7	5.14	133.0	5.20	20.00	0.80	40.00	1.60	63.00	2.50	47.90	1.90	82.40	3.20	✓	✓	✓
Z10	161.8	6.37	166.1	6.50	20.00	0.80	40.00	1.60	63.00	2.50	64.50	2.50	97.30	3.80	✓	✓	✓
Z12	193.2	7.61	196.0	7.70	20.00	0.80	40.00	1.60	63.00	2.50	80.80	3.20	112.40	4.40	✓	✓	
Z13	208.9	8.22	214.0	8.40	20.00	0.80	40.00	1.60	63.00	2.50	88.90	3.50	120.10	4.70	✓	✓	

Non standard material and color:
See uni Material and Color Overview.

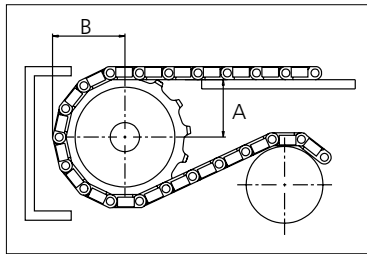
Molded sprocket



Cast iron sprocket



Machined sprocket



Please ensure that sufficient size shaft and keyway are chosen for corresponding load.

Other sprocket sizes are available upon request

Width of tooth: 11.0 mm/0.43 in

Width of sprocket: 42.3 mm/1.67 in

uni Retainer Rings: See uni Retainer Ring data sheet

uni Idler: See uni Idler data sheet

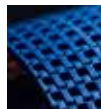
uni 1700/160621



Conveyor Belts



Seamless Belts



Modular Belts



Timing Belts



Transmission Belts



Fabrication & service

Expert advice, quality solutions and local service for all your belting needs
www.ammeraalbeltech.com

Ammeraal Beltech Modular A/S
Hjulmagervej 21
DK-7100 Vejle

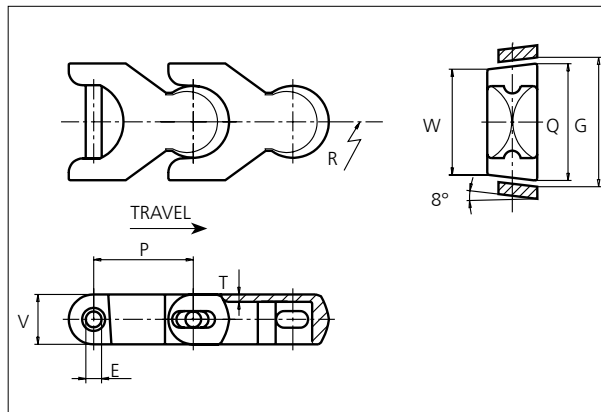
T +45 7572 3100
F +45 7572 3348
admin@unichains.com
www.unichains.com

This information is subject to alteration due to continuous development. Ammeraal Beltech will not be held liable for the incorrect use of the above stated information. This information replaces previous information. All activities performed and services rendered by Ammeraal Beltech are subject to general terms and conditions of sale and delivery, as applied by its operating companies.



uni Flex Plastic Chain

Series **uni 1701** Type -



uni Flex Plastic Chain
 Side flexing chain
 Pitch: 50.0 mm (1.97 in)
 Backflex radius: 75.0 mm (3.00 in)
 Permissible tensile strength:
 POM material 4000 N (899 lbf)

 Standard shipping lengths:
 boxes of 122 links
 = 6.100 m (20.0 ft)

STANDARD

E		G (curve)		G (straight)		P		Q		T		V	
mm	in	mm	in	mm	in	mm	in	mm	in	mm	in	mm	in
8.0	0.31	60.0	2.37	62.0	2.44	50.0	1.97	58.4	2.30	3.9	0.15	25.0	0.98

All dimensions are for chains in POM material.

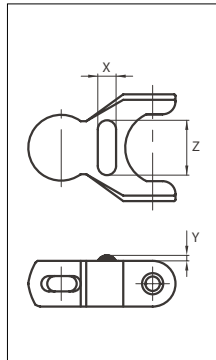
Width (W)		Material & color	Pin material	Weight		Min. radius (R)	
mm	in			kg/m	lb/ft	mm	in
52.4	2.06	POM-D W POM-D G POM-LF BR	SS304	1.5	1.01	150.0	5.91

Non standard material and color: See uni Material and Color Overview.
 Non standard pin material: See uni Material and Color Overview.

SIDE FLEXING

Accessories

Rubber Top



Link material	Rubber material	X		Z		Y	
		mm	in	mm	in	mm	in
POM-D W	05 I	10.0	0.39	30.0	1.18	3.0	0.12

When ordering, please state the required distance between the Rubber Top.

Other Non Standard rubber profiles:
 See uni Rubber Profile Overview

PITCH 50.0 MM/1.97 IN



Sprocket

No of teeth	Pitch diameter		Overall-diameter		Min. ø bore		Max. ø bore		Hub-diameter		Dimension A		Dimension B		Molded PA6 LG	Molded Cast Iron	Machined SS304
	mm	in	mm	in	mm	in	mm	in	mm	in	mm	in	mm	in	✓	✓	✓
Z8	130.7	5.14	133.0	5.20	20.00	0.80	40.00	1.60	63.00	2.50	47.90	1.90	82.40	3.20	✓	✓	✓
Z10	161.8	6.37	166.1	6.50	20.00	0.80	40.00	1.60	63.00	2.50	64.50	2.50	97.30	3.80	✓	✓	✓
Z12	193.2	7.61	196.0	7.70	20.00	0.80	40.00	1.60	63.00	2.50	80.80	3.20	112.40	4.40	✓	✓	
Z13	208.9	8.22	214.0	8.40	20.00	0.80	40.00	1.60	63.00	2.50	88.90	3.50	120.10	4.70	✓	✓	

Non standard material and color:
See uni Material and Color Overview.

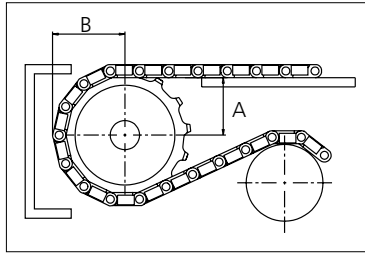
Molded sprocket



Cast iron sprocket



Machined sprocket



Please ensure that sufficient size shaft and keyway are chosen for corresponding load.

Other sprocket sizes are available upon request

Width of tooth: 11.0 mm/0.43 in

Width of sprocket: 42.3 mm/1.67 in

uni Retainer Rings: See uni Retainer Ring data sheet

uni Idler: See uni Idler data sheet

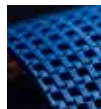
uni 1701/160621



Conveyor Belts



Seamless Belts



Modular Belts



Timing Belts



Transmission Belts



Fabrication & service

Expert advice, quality solutions and local service for all your belting needs
www.ammeraalbeltech.com

Ammeraal Beltech Modular A/S
Hjulmagervej 21
DK-7100 Vejle

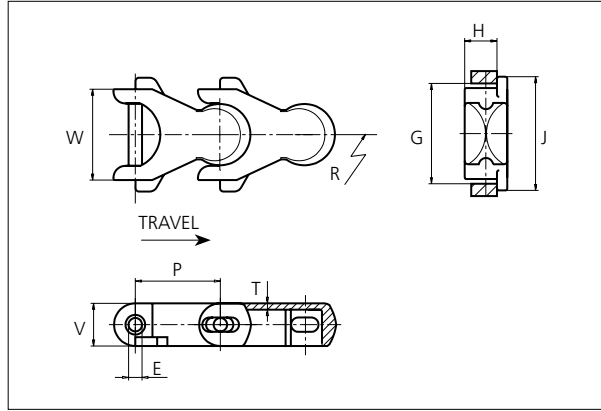
T +45 7572 3100
F +45 7572 3348
admin@unichains.com
www.unichains.com

This information is subject to alteration due to continuous development. Ammeraal Beltech will not be held liable for the incorrect use of the above stated information. This information replaces previous information. All activities performed and services rendered by Ammeraal Beltech are subject to general terms and conditions of sale and delivery, as applied by its operating companies.



uni Flex Plastic Chain

Series **uni 1701** Type **Tab**



uni Flex Plastic Chain
 Side flexing chain
 Pitch: 50.0 mm (1.97 in)
 Backflex radius: 75.0 mm (3.00 in)
 Permissible tensile strength:
 POM material 4000 N (899 lbf)

 Standard shipping lengths:
 boxes of 122 links
 = 6.100 m (20.0 ft)

STANDARD

E		G		H		J		P		T		V	
mm	in	mm	in	mm	in	mm	in	mm	in	mm	in	mm	in
8.0	0.31	56.0	2.20	19.0	0.75	66.7	2.63	50.0	1.97	3.9	0.15	25.0	0.98

All dimensions are for chains in POM material.

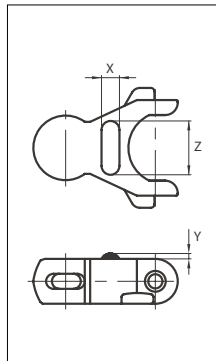
Width (W)		Material & color	Pin material	Weight		Min. radius (R)	
mm	in			kg/m	lb/ft	mm	in
53.3	2.10	POM-D W POM-D G POM-LF BR	SS304	1.5	1.01	150.0	5.91

Non standard material and color: See uni Material and Color Overview.
 Non standard pin material: See uni Material and Color Overview.

SIDE FLEXING

Accessories

Rubber Top



Link material	Rubber material	X		Z		Y	
		mm	in	mm	in	mm	in
POM-D W	05 I	10.0	0.39	30.0	1.18	3.0	0.12

When ordering, please state the required distance between the Rubber Top.

Other Non Standard rubber profiles:
 See uni Rubber Profile Overview

PITCH 50.0 MM/1.97 IN



Sprocket

No of teeth	Pitch diameter		Overall-diameter		Min. ø bore		Max. ø bore		Hub-diameter		Dimension A		Dimension B		Molded PA6 LG	Molded Cast Iron	Machined SS304
	mm	in	mm	in	mm	in	mm	in	mm	in	mm	in	mm	in	✓	✓	✓
Z8	130.7	5.14	133.0	5.20	20.00	0.80	40.00	1.60	63.00	2.50	47.90	1.90	82.40	3.20	✓	✓	✓
Z10	161.8	6.37	166.1	6.50	20.00	0.80	40.00	1.60	63.00	2.50	64.50	2.50	97.30	3.80	✓	✓	✓
Z12	193.2	7.61	196.0	7.70	20.00	0.80	40.00	1.60	63.00	2.50	80.80	3.20	112.40	4.40	✓	✓	
Z13	208.9	8.22	214.0	8.40	20.00	0.80	40.00	1.60	63.00	2.50	88.90	3.50	120.10	4.70	✓	✓	

Molded sprocket



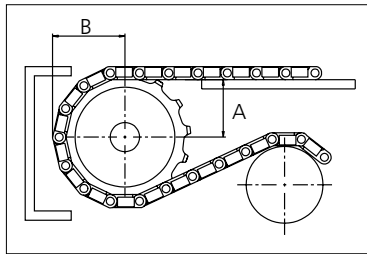
Cast iron sprocket



Machined sprocket



Non standard material and color:
See uni Material and Color Overview.



Please ensure that sufficient size shaft and keyway are chosen for corresponding load.

Other sprocket sizes are available upon request

Width of tooth: 11.0 mm/0.43 in

Width of sprocket: 42.3 mm/1.67 in

uni Retainer Rings: See uni Retainer Ring data sheet

uni Idler: See uni Idler data sheet

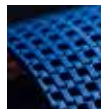
uni 1701 Tab/160621



Conveyor Belts



Seamless Belts



Modular Belts



Timing Belts



Transmission Belts



Fabrication & service

Expert advice, quality solutions and local service for all your belting needs
www.ammeraalbeltech.com

Ammeraal Beltech Modular A/S
Hjulmagervej 21
DK-7100 Vejle

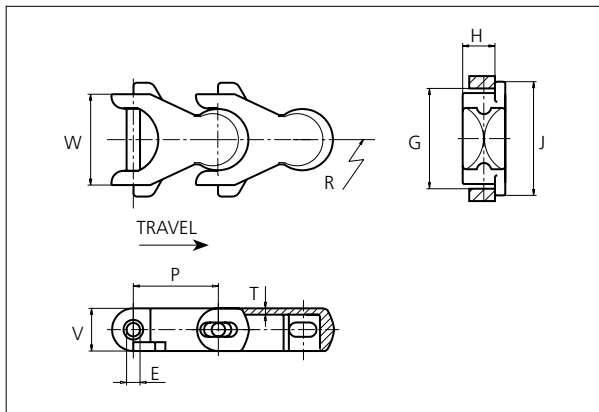
T +45 7572 3100
F +45 7572 3348
admin@unichains.com
www.unichains.com

This information is subject to alteration due to continuous development. Ammeraal Beltech will not be held liable for the incorrect use of the above stated information. This information replaces previous information. All activities performed and services rendered by Ammeraal Beltech are subject to general terms and conditions of sale and delivery, as applied by its operating companies.



uni Flex Plastic Chain

Series **uni 1701** Type **Tab R**



uni Flex Plastic Chain
 Side flexing chain
 Pitch: 50.0 mm (1.97 in)
 Backflex radius:
 75.0 mm (3.00 in)
 Permissible tensile strength:
 POM material 4000 N (899 lbf)

 Standard shipping lengths:
 boxes of 122 links
 = 6.105 m (20.0 ft)

E		G*		H		J		P		T		V	
mm	in	mm	in	mm	in	mm	in	mm	in	mm	in	mm	in
8.0	0.31	56.0	2.20	19.0	0.75	66.7	2.63	50.0	1.97	3.9	0.15	25.0	0.98

All dimensions are for chains in POM material.

* G = 55 mm (2.17 in) when R > 500 mm (19.69 in).

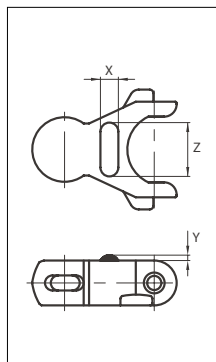
Width (W)		Material & color	Pin material	Weight		Min. radius (R)	
mm	in			kg/m	lb/ft	mm	in
53.2	2.09	POM-LF BR	SS304	1.5	1.01	125.0	4.92

Non standard material and color: See uni Material and Color Overview.

Non standard pin material: See uni Material and Color Overview.

Accessories

Rubber Top



When ordering, please state the required distance between the Rubber Top.

Other Non Standard rubber profiles:
 See uni Rubber Profile Overview

Link material	Rubber material	X		Z		Y	
		mm	in	mm	in	mm	in
POM-LF BR	05 I	10.0	0.39	25.0	0.98	3.0	0.12

STANDARD

SIDE FLEXING

PITCH 50.0 MM/1.97 IN

Sprocket

No of teeth	Pitch diameter		Overall-diameter		Min. \varnothing bore		Max. \varnothing bore		Hub-diameter		Dimension A		Dimension B		Molded PA6 LG	Molded Cast Iron	Machined SS304
	mm	in	mm	in	mm	in	mm	in	mm	in	mm	in	mm	in	✓	✓	✓
Z8	130.7	5.14	133.0	5.20	20.00	0.80	40.00	1.60	63.00	2.50	47.90	1.90	82.40	3.20	✓	✓	✓
Z10	161.8	6.37	166.1	6.50	20.00	0.80	40.00	1.60	63.00	2.50	64.50	2.50	97.30	3.80	✓	✓	✓
Z12	193.2	7.61	196.0	7.70	20.00	0.80	40.00	1.60	63.00	2.50	80.80	3.20	112.40	4.40	✓	✓	
Z13	208.9	8.22	214.0	8.40	20.00	0.80	40.00	1.60	63.00	2.50	88.90	3.50	120.10	4.70	✓	✓	

Molded sprocket



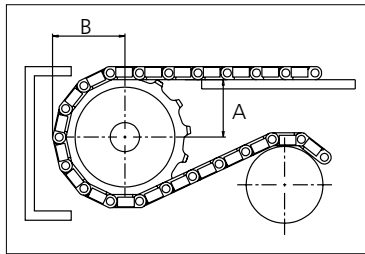
Cast iron sprocket



Machined sprocket



Non standard material and color:
See uni Material and Color Overview.



Please ensure that sufficient size shaft and keyway are chosen for corresponding load.

Other sprocket sizes are available upon request

Width of tooth: 11.0 mm/0.43 in

Width of sprocket: 42.3 mm/1.67 in

uni Retainer Rings: See uni Retainer Ring data sheet

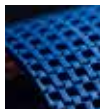
uni Idler: See uni Idler data sheet



Conveyor Belts



Seamless Belts



Modular Belts



Timing Belts



Transmission Belts



Fabrication & service

Expert advice, quality solutions and local service for all your belting needs
www.ammeraalbeltech.com

Ammeraal Beltech Modular A/S
Hjulmagervej 21
DK-7100 Vejle

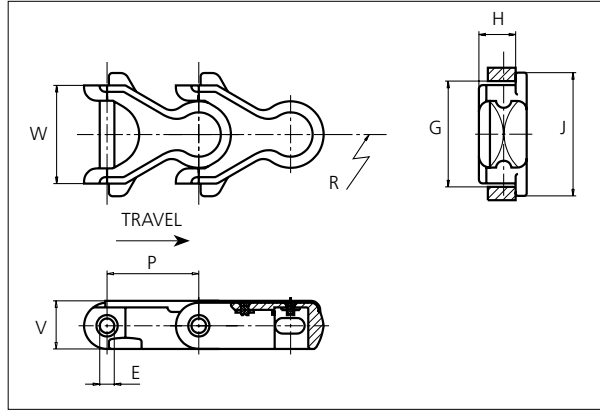
T +45 7572 3100
F +45 7572 3348
admin@unichains.com
www.unichains.com

This information is subject to alteration due to continuous development. Ammeraal Beltech will not be held liable for the incorrect use of the above stated information. This information replaces previous information. All activities performed and services rendered by Ammeraal Beltech are subject to general terms and conditions of sale and delivery, as applied by its operating companies.



uni Flex Plastic Chain

Series **uni 1701** Type **Tab R ST**



uni Flex Plastic Chain
 Side flexing chain
 Pitch: 50.0 mm (1.97 in)
 Backflex radius:
 75.0 mm (3.00 in)
 Permissible tensile strength:
 POM material 4000 N (899 lbf)
 Standard shipping lengths:
 boxes of 122 links
 = 6.105 m (20.0 ft)
 Steel top cover: SS430
 thickness 1.0 mm (0.04 in)

NON STANDARD

E		G		H		J		P		V	
mm	in	mm	in	mm	in	mm	in	mm	in	mm	in
8.0	0.31	56.0	2.20	20.0	0.79	66.7	2.63	50.0	1.97	26.0	1.02

All dimensions are for chains in POM material.

Width (W)		Recommended material & color	Recommended pin material	Weight		Min. radius (R)	
mm	in			kg/m	lb/ft	mm	in
53.3	2.10	POM-LF BR	SS304	-	-	125.0	4.92

Non standard material and color: See uni Material and Color Overview.
 Non standard pin material: See uni Material and Color Overview.

SIDE FLEXING

PITCH 50.0 MM/1.97 IN



Sprocket

No of teeth	Pitch diameter		Overall-diameter		Min. ø bore		Max. ø bore		Hub-diameter		Dimension A		Dimension B		Molded PA6 LG	Molded Cast Iron	Machined PA6	Machined SS304
	mm	in	mm	in	mm	in	mm	in	mm	in	mm	in	mm	in	✓	✓	✓	✓
Z8	130.7	5.14	133.0	5.20	20.00	0.80	40.00	1.60	63.00	2.50	47.90	1.90	82.40	3.20	✓	✓	✓	✓
Z10	161.8	6.37	166.1	6.50	20.00	0.80	40.00	1.60	63.00	2.50	64.50	2.50	97.30	3.80	✓	✓	✓	✓
Z12	193.2	7.61	196.0	7.70	20.00	0.80	40.00	1.60	63.00	2.50	80.80	3.20	112.40	4.40	✓	✓	✓	
Z13	208.9	8.22	214.0	8.40	20.00	0.80	40.00	1.60	63.00	2.50	88.90	3.50	120.10	4.70	✓	✓	✓	

Non standard material and color:
See uni Material and Color Overview.

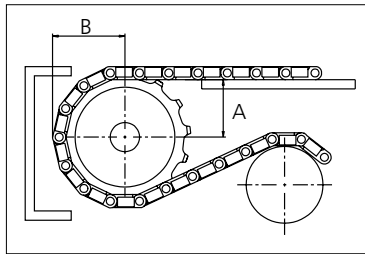
Molded sprocket



Cast iron sprocket



Machined sprocket



Please ensure that sufficient size shaft and keyway are chosen for corresponding load.

Other sprocket sizes are available upon request

Width of tooth: 11.0 mm/0.43 in

Width of sprocket: 42.3 mm/1.67 in

uni Retainer Rings: See uni Retainer Ring data sheet

uni Idler: See uni Idler data sheet



Conveyor Belts



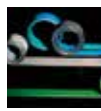
Seamless Belts



Modular Belts



Timing Belts



Transmission Belts



Fabrication & service

Expert advice, quality solutions and local service for all your belting needs
www.ammeraalbeltech.com

Ammeraal Beltech Modular A/S
Hjulmagervej 21
DK-7100 Vejle

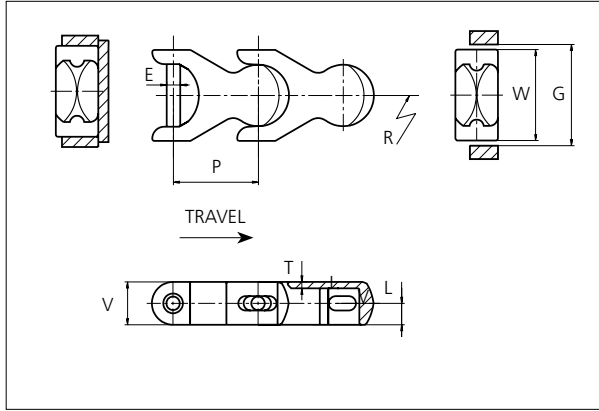
T +45 7572 3100
F +45 7572 3348
admin@unichains.com
www.unichains.com

This information is subject to alteration due to continuous development. Ammeraal Beltech will not be held liable for the incorrect use of the above stated information. This information replaces previous information. All activities performed and services rendered by Ammeraal Beltech are subject to general terms and conditions of sale and delivery, as applied by its operating companies.



uni Flex Plastic Chain

Series **uni 1702** Type -



uni Flex Plastic Chain
 Side flexing chain
 Pitch: 50.0 mm (1.97 in)
 Backflex radius: 75.0 mm (3.00 in)
 Permissible tensile strength:
 POM material 4000 N (899 lbf)

 Standard shipping lengths:
 boxes of 122 links
 = 6.100 m (20.0 ft)

STANDARD

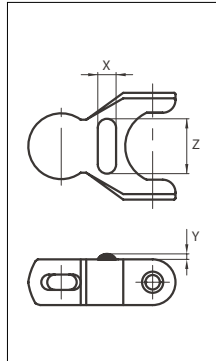
E		G		L		P		T		V	
mm	in	mm	in	mm	in	mm	in	mm	in	mm	in
8.0	56.90	59.0	2.24	12.7	0.50	50.0	1.97	3.5	0.14	25.0	0.98

Width (W)		Material & color	Pin material	Weight		Min. radius (R)	
mm	in			kg/m	lb/ft	mm	in
53.3	2.10	POM-D W POM-D G POM-LF BR POM-SLF DG	SS304	1.5	1.01	150.0	5.91

SIDE FLEXING

Accessories

Rubber Top



When ordering, please state the required distance between the Rubber Top.

Other Non Standard rubber profiles:
 See uni Rubber Profile Overview

Link material	Rubber material	X		Z		Y	
		mm	in	mm	in	mm	in
POM-D W	05 I	10.0	0.39	30.0	1.18	3.0	0.12

PITCH 50.0 MM/1.97 IN



Sprocket

No of teeth	Pilot bore	Pitch diameter		Overall-diameter		Min. ϕ bore		Max. ϕ bore		Hub-diameter		A-dimension		B-dimension		One row / Two way	Molded PA6 LG
		mm	in	mm	in	mm	in	mm	in	mm	in	mm	in	mm	in		
Z8	✓	130.7	5.14	133.0	5.20	20.00	0.80	40.00	1.60	63.00	2.50	47.90	1.90	82.40	3.20	✓	✓
Z10	✓	161.8	6.37	166.1	6.50	20.00	0.80	40.00	1.60	63.00	2.50	64.50	2.50	97.30	3.80	✓	✓
Z12	✓	193.2	7.61	196.0	7.70	20.00	0.80	40.00	1.60	63.00	2.50	80.80	3.20	112.40	4.40	✓	✓
Z13	✓	208.9	8.22	214.0	8.40	20.00	0.80	40.00	1.60	63.00	2.50	88.90	3.50	120.10	4.70	✓	✓

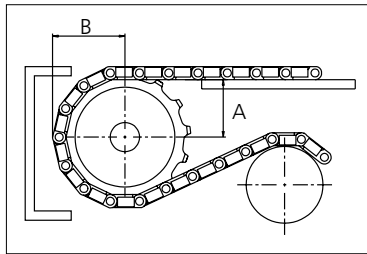
Molded sprocket



Cast iron sprocket



Machined sprocket



Please ensure that sufficient size shaft and keyway are chosen for corresponding load.

Other sprocket sizes are available upon request

Width of tooth: 11.0 mm/0.43 in

Width of sprocket: 42.3 mm/1.67 in

uni Retainer Rings: See uni Retainer Ring data sheet

uni Idler: See uni Idler data sheet

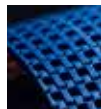
uni 1702/160621



Conveyor Belts



Seamless Belts



Modular Belts



Timing Belts



Transmission Belts



Fabrication & service

Expert advice, quality solutions and local service for all your belting needs
www.ammeraalbeltech.com

Ammeraal Beltech Modular A/S
 Hjulmagervej 21
 DK-7100 Vejle

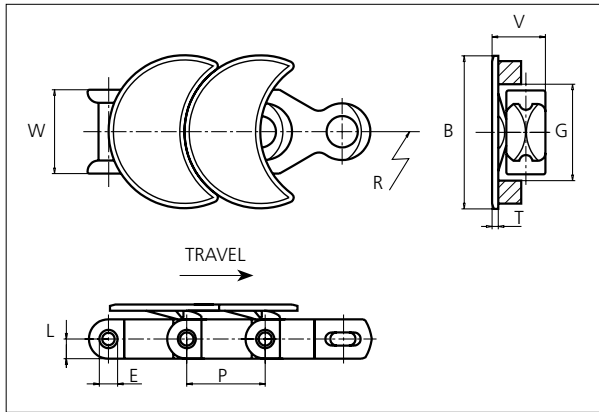
T +45 7572 3100
 F +45 7572 3348
 admin@unichains.com
 www.unichains.com

This information is subject to alteration due to continuous development. Ammeraal Beltech will not be held liable for the incorrect use of the above stated information. This information replaces previous information. All activities performed and services rendered by Ammeraal Beltech are subject to general terms and conditions of sale and delivery, as applied by its operating companies.



uni Flex Plastic Chain

Series **uni 1702** Type **H**



uni Flex Plastic Chain
 Side flexing chain
 Pitch: 50.0 mm (1.97 in)
 Permissible tensile strength:
 POM material 4000 N (899 lbf)

 Standard shipping lengths:
 boxes of 61 links
 = 3.050 m (10.0 ft)

NON STANDARD

B		E		G		L		P		T		V	
mm	in	mm	in	mm	in	mm	in	mm	in	mm	in	mm	in
98.0	3.86	8.0	0.31	56.9	2.24	12.7	0.50	50.0	1.97	4.0	0.16	35.0	1.38

All dimensions are for chains in POM material.

Width (W)		Recommended base material & color	Recommended plate material	Weight		Min. radius (R)	
mm	in			kg/m	lb/ft	mm	in
53.3	2.10	POM-D W POM-D G POM-LF BR	POM-SLF W POM-SLF G POM-LF BR	-	-	150.0	5.91

Non standard material and color: See uni Material and Color Overview.
 Non standard pin material: See uni Material and Color Overview.

SIDE FLEXING

PITCH 50.0 MM/1.97 IN



Sprocket

No of teeth	Pitch diameter		Overall-diameter		Min. ø bore		Max. ø bore		Hub-diameter		Dimension A		Dimension B		Molded PA6 LG	Molded Cast Iron	Machined SS304
	mm	in	mm	in	mm	in	mm	in	mm	in	mm	in	mm	in	✓	✓	✓
Z8	130.7	5.14	133.0	5.20	20.00	0.80	40.00	1.60	63.00	2.50	47.90	1.90	82.40	3.20	✓	✓	✓
Z10	161.8	6.37	166.1	6.50	20.00	0.80	40.00	1.60	63.00	2.50	64.50	2.50	97.30	3.80	✓	✓	✓
Z12	193.2	7.61	196.0	7.70	20.00	0.80	40.00	1.60	63.00	2.50	80.80	3.20	112.40	4.40	✓	✓	
Z13	208.9	8.22	214.0	8.40	20.00	0.80	40.00	1.60	63.00	2.50	88.90	3.50	120.10	4.70	✓	✓	

Non standard material and color:
See uni Material and Color Overview.

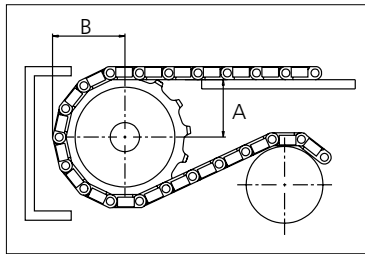
Molded sprocket



Cast iron sprocket



Machined sprocket



Please ensure that sufficient size shaft and keyway are chosen for corresponding load.

Other sprocket sizes are available upon request

Width of tooth: 11.0 mm/0.43 in

Width of sprocket: 42.3 mm/1.67 in

uni Retainer Rings: See uni Retainer Ring data sheet

uni Idler: See uni Idler data sheet

uni 1702 HV/160621



Conveyor Belts



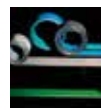
Seamless Belts



Modular Belts



Timing Belts



Transmission Belts



Fabrication & service

Expert advice, quality solutions and local service for all your belting needs
www.ammeraalbeltech.com

Ammeraal Beltech Modular A/S
Hjulmagervej 21
DK-7100 Vejle

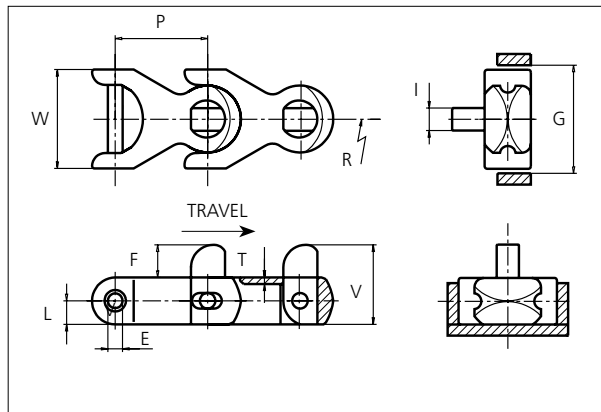
T +45 7572 3100
F +45 7572 3348
admin@unichains.com
www.unichains.com

This information is subject to alteration due to continuous development. Ammeraal Beltech will not be held liable for the incorrect use of the above stated information. This information replaces previous information. All activities performed and services rendered by Ammeraal Beltech are subject to general terms and conditions of sale and delivery, as applied by its operating companies.



uni Flex Plastic Chain

Series **uni 1702** Type **M**



uni Flex Plastic Chain
 Side flexing chain
 Pitch: 50.0 mm (1.97 in)
 Backflex radius: 125.0 mm (4.90 in)
 Permissible tensile strength:
 POM material 4000 N (899 lbf)

 Standard shipping lengths:
 boxes of 122 links
 = 6.100 m (20.0 ft)

E		F		G		I		L		P		T		V	
mm	in	mm	in	mm	in	mm	in	mm	in	mm	in	mm	in	mm	in
8.0	0.31	17.5	0.69	56.9	2.24	12.0	0.47	12.7	0.50	50.0	1.97	3.5	0.14	42.5	1.67

All dimensions are for chains in POM material.

Width (W)		Base material & color	Peg material	Pin material	Weight		Min. radius (R)	
mm	in				kg/m	lb/ft	mm	in
53.3	2.10	POM-D W	POM-D W POM-D G	SS304	1.5	1.01	150.0	5.91

Non standard material and color: See uni Material and Color Overview.

Non standard pin material: See uni Material and Color Overview.

When ordering, please state the required distance between the pegs.

STANDARD

SIDE FLEXING

PITCH 50.0 MM/1.97 IN



Sprocket

No of teeth	Pitch diameter		Overall-diameter		Min. ø bore		Max. ø bore		Hub-diameter		Dimension A		Dimension B		Molded PA6 LG	Molded Cast Iron	Machined SS304
	mm	in	mm	in	mm	in	mm	in	mm	in	mm	in	mm	in	✓	✓	✓
Z8	130.7	5.14	133.0	5.20	20.00	0.80	40.00	1.60	63.00	2.50	47.90	1.90	82.40	3.20	✓	✓	✓
Z10	161.8	6.37	166.1	6.50	20.00	0.80	40.00	1.60	63.00	2.50	64.50	2.50	97.30	3.80	✓	✓	✓
Z12	193.2	7.61	196.0	7.70	20.00	0.80	40.00	1.60	63.00	2.50	80.80	3.20	112.40	4.40	✓	✓	
Z13	208.9	8.22	214.0	8.40	20.00	0.80	40.00	1.60	63.00	2.50	88.90	3.50	120.10	4.70	✓	✓	

Molded sprocket



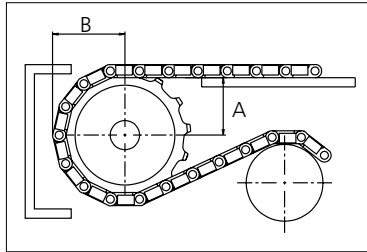
Cast iron sprocket



Machined sprocket



Non standard material and color:
See uni Material and Color Overview.



Please ensure that sufficient size shaft and keyway are chosen for corresponding load.

Other sprocket sizes are available upon request.

Width of tooth: 11.0 mm/0.43 in

Width of sprocket: 42.3 mm/1.67 in

uni Retainer Rings: See uni Retainer Ring data sheet.

uni Idler: See uni Idler data sheet.

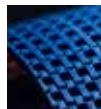
uni 1702 M/160621



Conveyor Belts



Seamless Belts



Modular Belts



Timing Belts



Transmission Belts



Fabrication & service

Expert advice, quality solutions and local service for all your belting needs
www.ammeraalbeltech.com

Ammeraal Beltech Modular A/S
Hjulmagervej 21
DK-7100 Vejle

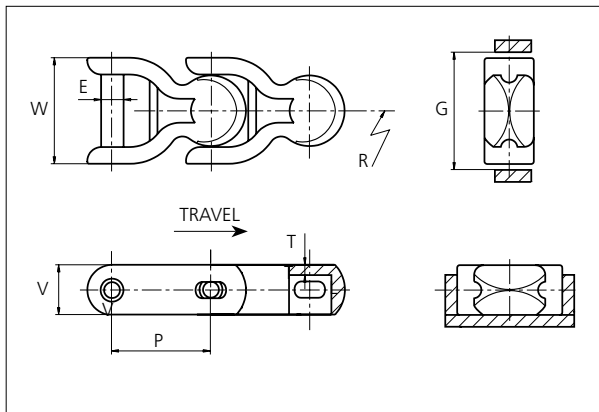
T +45 7572 3100
F +45 7572 3348
admin@unichains.com
www.unichains.com

This information is subject to alteration due to continuous development. Ammeraal Beltech will not be held liable for the incorrect use of the above stated information. This information replaces previous information. All activities performed and services rendered by Ammeraal Beltech are subject to general terms and conditions of sale and delivery, as applied by its operating companies.



uni Flex Plastic Chain

Series **uni 1703** Type -



uni Flex Plastic Chain
 Side flexing chain
 Pitch: 50.0 mm (1.97 in)
 Backflex radius: 75.0 mm (3.00 in)
 Permissible tensile strength:
 POM material 4000 N (899 lbf)
 AR material 2800 N (630 lbf)

 Standard shipping lengths:
 boxes of 122 links
 = 6.100 m (20.0 ft)

E		G		P		T		V	
mm	in	mm	in	mm	in	mm	in	mm	in
8.0	0.31	56.9	2.24	50.0	1.97	4.0	0.16	25.0	0.98

All dimensions are for chains in POM material.

Width (W)		Material & color	Pin material	Weight		Min. radius (R)	
mm	in			kg/m	lb/ft	mm	in
53.3	2.10	POM-D W AR W	SS304	1.4	0.94	150.0	5.91

Non standard material and color: See uni Material and Color Overview.

Non standard pin material: See uni Material and Color Overview.

STANDARD

SIDE FLEXING

PITCH 50.0 MM/1.97 IN



Sprocket

No of teeth	Pitch diameter		Overall-diameter		Min. ø bore		Max. ø bore		Hub-diameter		Dimension A		Dimension B		Molded PA6 LG	Molded Cast Iron	Machined SS304
	mm	in	mm	in	mm	in	mm	in	mm	in	mm	in	mm	in	✓	✓	✓
Z8	130.7	5.14	133.0	5.20	20.00	0.80	40.00	1.60	63.00	2.50	47.90	1.90	82.40	3.20	✓	✓	✓
Z10	161.8	6.37	166.1	6.50	20.00	0.80	40.00	1.60	63.00	2.50	64.50	2.50	97.30	3.80	✓	✓	✓
Z12	193.2	7.61	196.0	7.70	20.00	0.80	40.00	1.60	63.00	2.50	80.80	3.20	112.40	4.40	✓	✓	
Z13	208.9	8.22	214.0	8.40	20.00	0.80	40.00	1.60	63.00	2.50	88.90	3.50	120.10	4.70	✓	✓	

Non standard material and color:
See uni Material and Color Overview.

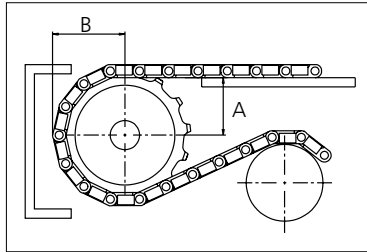
Molded sprocket



Cast iron sprocket



Machined sprocket



Please ensure that sufficient size shaft and keyway are chosen for corresponding load.

Other sprocket sizes are available upon request

Width of tooth: 11.0 mm/0.43 in

Width of sprocket: 42.3 mm/1.67 in

uni Retainer Rings: See uni Retainer Ring data sheet

uni Idler: See uni Idler data sheet

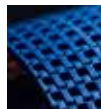
uni 1703/160621



Conveyor Belts



Seamless Belts



Modular Belts



Timing Belts



Transmission Belts



Fabrication & service

Expert advice, quality solutions and local service for all your belting needs
www.ammeraalbeltech.com

Ammeraal Beltech Modular A/S
Hjulmagervej 21
DK-7100 Vejle

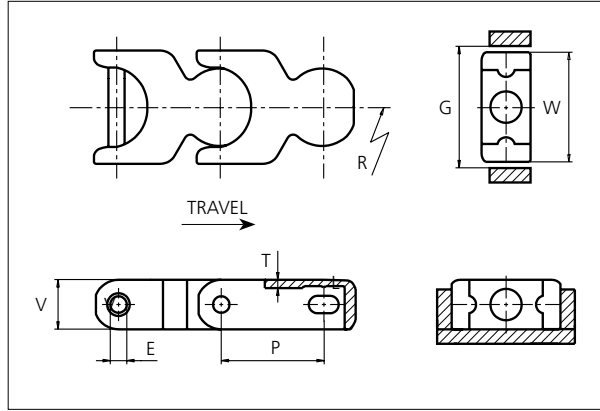
T +45 7572 3100
F +45 7572 3348
admin@unichains.com
www.unichains.com

This information is subject to alteration due to continuous development. Ammeraal Beltech will not be held liable for the incorrect use of the above stated information. This information replaces previous information. All activities performed and services rendered by Ammeraal Beltech are subject to general terms and conditions of sale and delivery, as applied by its operating companies.



uni Flex Plastic Chain

Series **uni 1704** Type -



uni Flex Plastic Chain
 Side flexing chain
 Pitch: 50.0 mm (1.97 in)
 Backflex radius: 75.0 mm (3.00 in)
 Permissible tensile strength:
 POM material 4000 N (899 lbf)

 Standard shipping lengths:
 boxes of 122 links
 = 6.100 m (20.0 ft)

STANDARD

E		G		P		T		V	
mm	in	mm	in	mm	in	mm	in	mm	in
8.0	0.31	56.9	2.24	50.0	1.97	4.0	0.16	23.9	0.94

All dimensions are for chains in POM material.

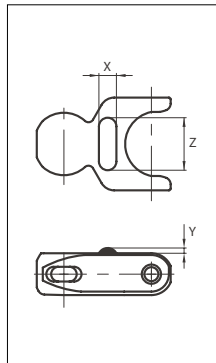
Width (W)		Material & color	Pin material	Weight		Min. radius (R)	
mm	in			kg/m	lb/ft	mm	in
53.3	2.10	POM-D W POM-D G	SS304	1.3	0.87	137.5	5.41

Non standard material and color: See uni Material and Color Overview.
 Non standard pin material: See uni Material and Color Overview.

SIDE FLEXING

Accessories

Rubber Top/NON STANDARD



Link material	Rubber material	X		Z		Y	
		mm	in	mm	in	mm	in
POM-D W	05 I	10.0	0.39	30.0	1.18	3.0	0.12

When ordering, please state the required distance between the Rubber Top.

Other Non Standard rubber profiles:
 See uni Rubber Profile Overview

PITCH 50.0 MM/1.97 IN



Sprocket

No of teeth	Pitch diameter		Overall-diameter		Min. ø bore		Max. ø bore		Hub-diameter		Dimension A		Dimension B		Molded PA6 LG	Molded Cast Iron	Machined SS304
	mm	in	mm	in	mm	in	mm	in	mm	in	mm	in	mm	in	✓	✓	✓
Z8	130.7	5.14	133.0	5.20	20.00	0.80	40.00	1.60	63.00	2.50	47.90	1.90	82.40	3.20	✓	✓	✓
Z10	161.8	6.37	166.1	6.50	20.00	0.80	40.00	1.60	63.00	2.50	64.50	2.50	97.30	3.80	✓	✓	✓
Z12	193.2	7.61	196.0	7.70	20.00	0.80	40.00	1.60	63.00	2.50	80.80	3.20	112.40	4.40	✓	✓	
Z13	208.9	8.22	214.0	8.40	20.00	0.80	40.00	1.60	63.00	2.50	88.90	3.50	120.10	4.70	✓	✓	

Non standard material and color:
See uni Material and Color Overview.

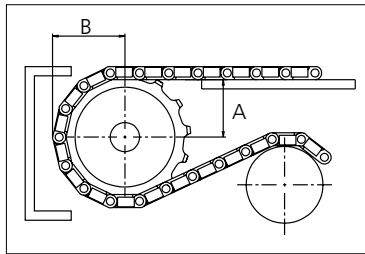
Molded sprocket



Cast iron sprocket



Machined sprocket



Please ensure that sufficient size shaft and keyway are chosen for corresponding load.

Other sprocket sizes are available upon request

Width of tooth: 11.0 mm/0.43 in

Width of sprocket: 42.3 mm/1.67 in

uni Retainer Rings: See uni Retainer Ring data sheet

uni Idler: See uni Idler data sheet

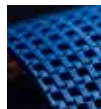
uni 1704/160621



Conveyor Belts



Seamless Belts



Modular Belts



Timing Belts



Transmission Belts



Fabrication & service

Expert advice, quality solutions and local service for all your belting needs
www.ammeraalbeltech.com

Ammeraal Beltech Modular A/S
Hjulmagervej 21
DK-7100 Vejle

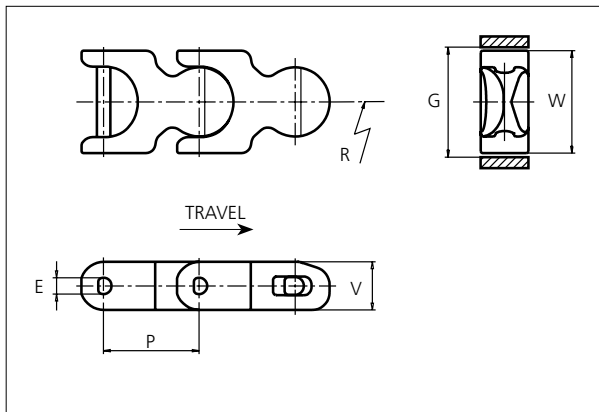
T +45 7572 3100
F +45 7572 3348
admin@unichains.com
www.unichains.com

This information is subject to alteration due to continuous development. Ammeraal Beltech will not be held liable for the incorrect use of the above stated information. This information replaces previous information. All activities performed and services rendered by Ammeraal Beltech are subject to general terms and conditions of sale and delivery, as applied by its operating companies.



uni Flex Plastic Chain

Series **uni 1705** Type -



uni Flex Plastic Chain
 Side flexing chain
 Pitch: 50.0 mm (1.97 in)
 Backflex radius:
 75.0 mm (3.00 in)
 Permissible tensile strength:
 POM material 3100 N (689 lbf)

 Standard shipping lengths:
 boxes of 122 links
 = 6.100 m (20.0 ft)

E		G		P		V	
mm	in	mm	in	mm	in	mm	in
8.7	0.34	57.0	2.24	50.0	1.97	25.0	0.98

All dimensions are for chains in POM material.

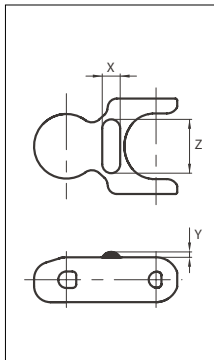
Width (W)		Material & color	Pin material	Weight		Min. radius (R)	
mm	in			kg/m	lb/ft	mm	in
53.2	2.09	POM-D W	SS304	1.4	0.94	136.0	5.35

Non standard material and color: See uni Material and Color Overview.

Non standard pin material: See uni Material and Color Overview.

Accessories

Rubber Top/NON STANDARD



Link material	Rubber material	X		Z		Y	
		mm	in	mm	in	mm	in
POM-D W	05 I	10.0	0.39	30.0	1.18	3.0	0.12

When ordering, please state the required distance between the Rubber Top.

Other Non Standard rubber profiles:
 See uni Rubber Profile Overview

STANDARD

SIDE FLEXING

PITCH 50.0 MM/1.97 IN



Sprocket

No of teeth	Pitch diameter		Overall-diameter		Min. ø bore		Max. ø bore		Hub-diameter		Dimension A		Dimension B		Molded PA6 LG	Molded Cast Iron	Machined SS304
	mm	in	mm	in	mm	in	mm	in	mm	in	mm	in	mm	in	✓	✓	✓
Z8	130.7	5.14	133.0	5.20	20.00	0.80	40.00	1.60	63.00	2.50	47.90	1.90	82.40	3.20	✓	✓	✓
Z10	161.8	6.37	166.1	6.50	20.00	0.80	40.00	1.60	63.00	2.50	64.50	2.50	97.30	3.80	✓	✓	✓
Z12	193.2	7.61	196.0	7.70	20.00	0.80	40.00	1.60	63.00	2.50	80.80	3.20	112.40	4.40	✓	✓	
Z13	208.9	8.22	214.0	8.40	20.00	0.80	40.00	1.60	63.00	2.50	88.90	3.50	120.10	4.70	✓	✓	

Molded sprocket



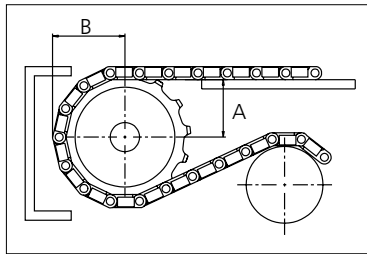
Cast iron sprocket



Machined sprocket



Non standard material and color:
See uni Material and Color Overview.



Please ensure that sufficient size shaft and keyway are chosen for corresponding load.

Other sprocket sizes are available upon request

Width of tooth: 11.0 mm/0.43 in

Width of sprocket: 42.3 mm/1.67 in

uni Retainer Rings: See uni Retainer Ring data sheet

uni Idler: See uni Idler data sheet

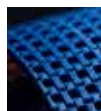
uni 1705/160624



Conveyor Belts



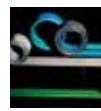
Seamless Belts



Modular Belts



Timing Belts



Transmission Belts



Fabrication & service

Expert advice, quality solutions and local service for all your belting needs
www.ammeraalbeltech.com

Ammeraal Beltech Modular A/S
Hjulmagervej 21
DK-7100 Vejle

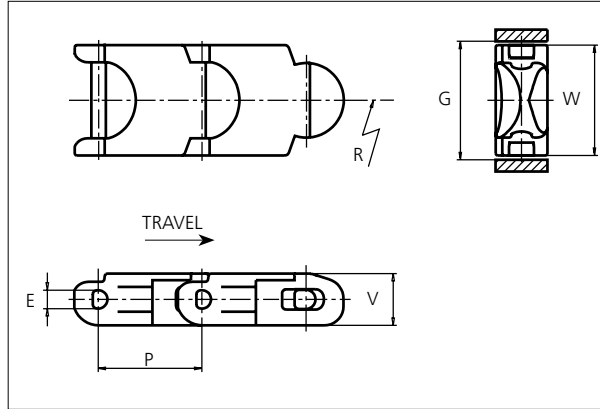
T +45 7572 3100
F +45 7572 3348
admin@unichains.com
www.unichains.com

This information is subject to alteration due to continuous development. Ammeraal Beltech will not be held liable for the incorrect use of the above stated information. This information replaces previous information. All activities performed and services rendered by Ammeraal Beltech are subject to general terms and conditions of sale and delivery, as applied by its operating companies.



uni Flex Plastic Chain

Series **uni 1706** Type -



uni Flex Plastic Chain
 Side flexing chain
 Pitch: 50.0 mm (1.97 in)
 Backflex radius: 120.0 mm (4.70 in)
 Permissible tensile strength:
 POM material 3100 N (689 lbf)

Standard shipping lengths:
 boxes of 122 links
 = 6.100 m (20.0 ft)

STANDARD

E		G		P		V	
mm	in	mm	in	mm	in	mm	in
8.7	0.34	57.0	2.24	50.0	1.97	24.0	0.95

All dimensions are for chains in POM material.

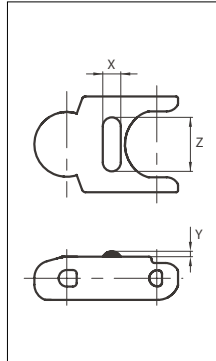
Width (W)		Material & color	Pin material	Weight		Min. radius (R)	
mm	in			kg/m	lb/ft	mm	in
53.2	2.09	POM-D W	SS304	1.4	0.94	150.0	5.91

Non standard material and color: See uni Material and Color Overview.
 Non standard pin material: See uni Material and Color Overview.

UNI FLEX PLASTIC CHAIN

Accessories

Rubber Top/NON STANDARD



Link material	Rubber material	X		Z		Y	
		mm	in	mm	in	mm	in
POM-D W	05 I	10.0	0.39	30.0	1.18	3.0	0.12

When ordering, please state the required distance between the Rubber Top.

Other Non Standard rubber profiles:
 See uni Rubber Profile Overview

PITCH 50.0 MM/1.97 IN



Sprocket

No of teeth	Pitch diameter		Overall-diameter		Min. ø bore		Max. ø bore		Hub-diameter		Dimension A		Dimension B		Molded LG	Molded Cast Iron	Machined SS304
	mm	in	mm	in	mm	in	mm	in	mm	in	mm	in	mm	in	Molded PA6	Molded	Machined
Z8	130.7	5.14	133.0	5.20	20.00	0.80	40.00	1.60	63.00	2.50	47.90	1.90	82.40	3.20	✓	✓	✓
Z10	161.8	6.37	166.1	6.50	20.00	0.80	40.00	1.60	63.00	2.50	64.50	2.50	97.30	3.80	✓	✓	✓
Z12	193.2	7.61	196.0	7.70	20.00	0.80	40.00	1.60	63.00	2.50	80.80	3.20	112.40	4.40	✓	✓	
Z13	208.9	8.22	214.0	8.40	20.00	0.80	40.00	1.60	63.00	2.50	88.90	3.50	120.10	4.70	✓	✓	

Non standard material and color:
See uni Material and Color Overview.

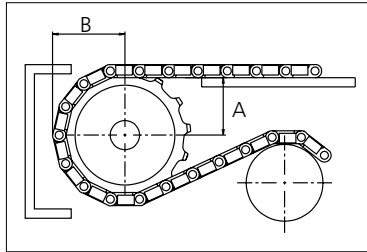
Molded sprocket



Cast iron sprocket



Machined sprocket



Please ensure that sufficient size shaft and keyway are chosen for corresponding load.

Other sprocket sizes are available upon request

Width of tooth: 11.0 mm/0.43 in

Width of sprocket: 42.3 mm/1.67 in

uni Retainer Rings: See uni Retainer Ring data sheet

uni Idler: See uni Idler data sheet

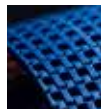
uni 1706/160624



Conveyor Belts



Seamless Belts



Modular Belts



Timing Belts



Transmission Belts



Fabrication & service

Expert advice, quality solutions and local service for all your belting needs
www.ammeraalbeltech.com

Ammeraal Beltech Modular A/S
Hjulmagervej 21
DK-7100 Vejle

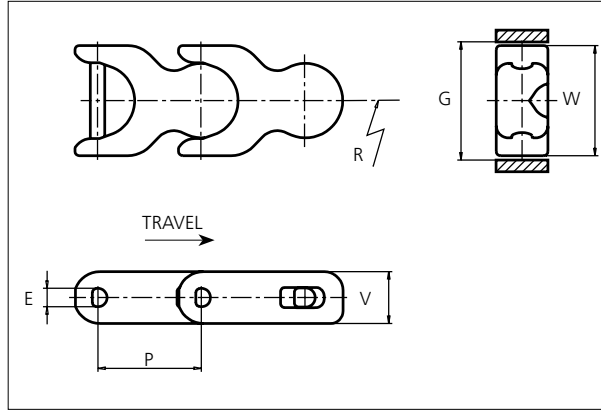
T +45 7572 3100
F +45 7572 3348
admin@unichains.com
www.unichains.com

This information is subject to alteration due to continuous development. Ammeraal Beltech will not be held liable for the incorrect use of the above stated information. This information replaces previous information. All activities performed and services rendered by Ammeraal Beltech are subject to general terms and conditions of sale and delivery, as applied by its operating companies.



uni Flex Plastic Chain

Series **uni 1707** Type -



uni Flex Plastic Chain
 Side flexing chain
 Pitch: 50.0 mm (1.97 in)
 Backflex radius:
 70.0 mm (2.80 in)
 Permissible tensile strength:
 POM material 3200 N (719 lbf)

 Standard shipping lengths:
 boxes of 122 links
 = 6.105 m (20.0 ft)

NON STANDARD

E		G		P		V	
mm	in	mm	in	mm	in	mm	in
8.7	0.34	57.0	2.24	50.0	1.97	25.0	0.98

All dimensions are for chains in POM material.

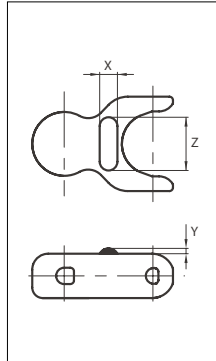
Width (W)		Recommended material & color	Recommended Pin material	Weight		Min. radius (R)	
mm	in			kg/m	lb/ft	mm	in
53.2	2.09	POM-D W	SS304	-	-	135.0	5.31

Non standard material and color: See uni Material and Color Overview.
 Non standard pin material: See uni Material and Color Overview.

SIDE FLEXING

Accessories

Rubber Top



Link material	Rubber material	X		Z		Y	
		mm	in	mm	in	mm	in
POM-D W	05 I	10.0	0.39	25.0	0.98	3.0	0.12

When ordering, please state the required distance between the Rubber Top.

Other Non Standard rubber profiles:
 See uni Rubber Profile Overview

PITCH 50.0 MM/1.97 IN



Sprocket

No of teeth	Pitch diameter		Overall-diameter		Min. ø bore		Max. ø bore		Hub-diameter		Dimension A		Dimension B		Molded PA6 LG	Molded Cast Iron	Machined PA6	Machined SS304
	mm	in	mm	in	mm	in	mm	in	mm	in	mm	in	mm	in	✓	✓	✓	✓
Z8	130.7	5.14	133.0	5.20	20.00	0.80	40.00	1.60	63.00	2.50	47.90	1.90	82.40	3.20	✓	✓	✓	✓
Z10	161.8	6.37	166.1	6.50	20.00	0.80	40.00	1.60	63.00	2.50	64.50	2.50	97.30	3.80	✓	✓	✓	✓
Z12	193.2	7.61	196.0	7.70	20.00	0.80	40.00	1.60	63.00	2.50	80.80	3.20	112.40	4.40	✓	✓	✓	
Z13	208.9	8.22	214.0	8.40	20.00	0.80	40.00	1.60	63.00	2.50	88.90	3.50	120.10	4.70	✓	✓	✓	

Non standard material and color:
See uni Material and Color Overview.

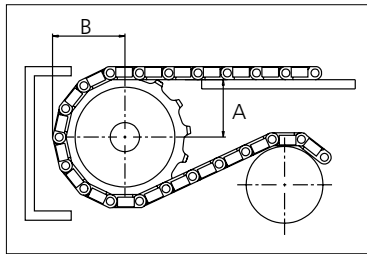
Molded sprocket



Cast iron sprocket



Machined sprocket



Please ensure that sufficient size shaft and keyway are chosen for corresponding load.

Other sprocket sizes are available upon request

Width of tooth: 11.0 mm/0.43 in

Width of sprocket: 42.3 mm/1.67 in

uni Retainer Rings: See uni Retainer Ring data sheet

uni Idler: See uni Idler data sheet

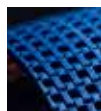
uni 1707/160622



Conveyor Belts



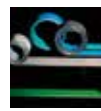
Seamless Belts



Modular Belts



Timing Belts



Transmission Belts



Fabrication & service

Expert advice, quality solutions and local service for all your belting needs
www.ammeraalbeltech.com

Ammeraal Beltech Modular A/S
Hjulmagervej 21
DK-7100 Vejle

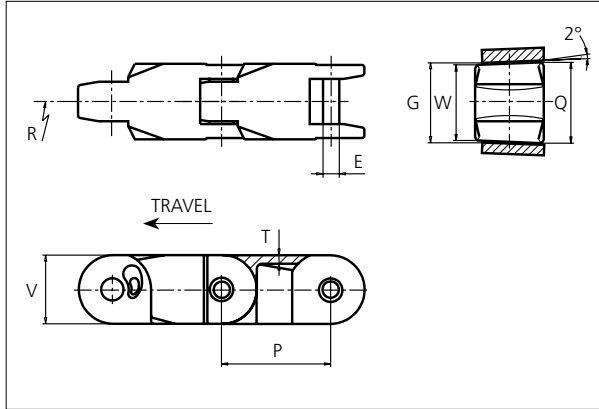
T +45 7572 3100
F +45 7572 3348
admin@unichains.com
www.unichains.com

This information is subject to alteration due to continuous development. Ammeraal Beltech will not be held liable for the incorrect use of the above stated information. This information replaces previous information. All activities performed and services rendered by Ammeraal Beltech are subject to general terms and conditions of sale and delivery, as applied by its operating companies.



uni Flex Plastic Chain

Series **uni 2500** Type -



uni Flex Plastic Chain
 Side flexing chain
 Pitch: 63.5 mm (2.50 in)
 Backflex radius:
 75.0 mm (3.00 in)
 Permissible tensile strength:
 POM material 7500 N (1686 lbf)

 Standard shipping lengths:
 boxes of 96 links
 = 6.096 m (20.0 ft)

STANDARD

E		G		P		Q		T		V	
mm	in	mm	in	mm	in	mm	in	mm	in	mm	in
9.5	0.37	46.4	1.83	63.5	2.50	47.0	1.85	5.0	0.20	40.0	1.57

All dimensions are for chains in POM material.

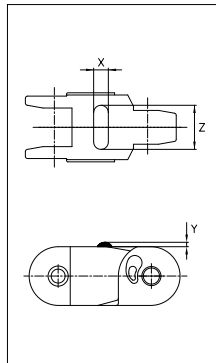
Width (W)		Material & color	Pin material	Weight		Min. radius (R)	
mm	in			kg/m	lb/ft	mm	in
44.0	1.73	POM-D W	SS304	2.0	1.34	600.0	23.62

Non standard material and color: See uni Material and Color Overview.
 Non standard pin material: See uni Material and Color Overview.

SIDE FLEXING

Accessories

Rubber Top/NON STANDARD



Link material	Rubber material	Z		X		Y	
		mm	in	mm	in	mm	in
POM-D W	05 I	30.0	1.18	10.0	0.39	3.0	0.12


When ordering, please state the required distance between the Rubber Top.

Other Non Standard rubber profiles:
 See uni Rubber Profile Overview

PITCH 63.5 MM/2.50 IN

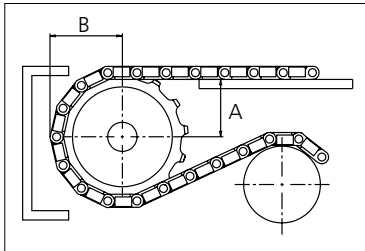


Sprocket

No of teeth	Pitch diameter		Overall-diameter		Min. ø bore		Max. ø bore		Hub-diameter		Dimension A		Dimension B		 Machined PAG
	mm	in	mm	in	mm	in	mm	in	mm	in	mm	in	mm	in	
Z6	126.7	4.99	136.0	5.35	20.00	0.8	40.00	1.6	63.00	2.5	35.00	1.4	83.30	3.3	✓
Z8	165.7	6.52	176.0	6.93	20.00	0.8	40.00	1.6	73.50	2.9	56.70	2.2	102.80	4.0	✓
Z15	305.3	12.02	317.4	12.50	20.00	0.8	40.00	1.6	73.50	2.9	129.40	5.1	172.70	6.8	✓

Non standard material and color:
See uni Material and Color Overview.

Machined sprocket



Please ensure that sufficient size shaft and keyway are chosen for corresponding load.

Other sprocket sizes are available upon request
Width of tooth: 11.0 mm/0.43 in
Width of sprocket: 42.3 mm/1.66 in
uni Retainer Rings: See uni Retainer Ring data sheet

uni 2500/160621



Solid advice
For all your belting needs
Local stock & service
www.ammeraalbeltech.com

Ammeraal Beltech Modular A/S
Hjulmagervej 21
DK-7100 Vejle

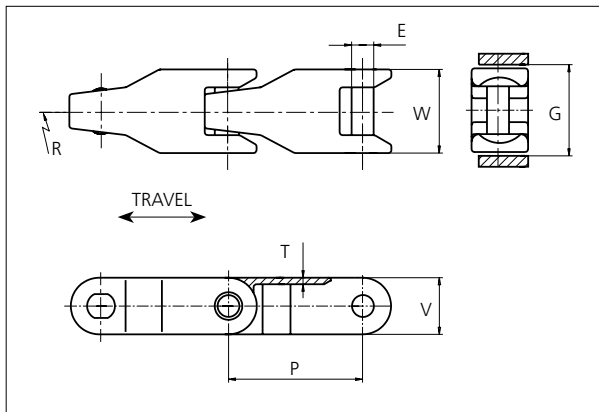
T +45 7572 3100
F +45 7572 3348
admin@unichains.com
www.unichains.com

This information is subject to alteration due to continuous development. Ammeraal Beltech will not be held liable for the incorrect use of the above stated information. This information replaces previous information. All activities performed and services rendered by Ammeraal Beltech are subject to general terms and conditions of sale and delivery, as applied by its operating companies.



uni Flex Plastic Chain

Series **uni 2600** Type **C**



uni Flex Plastic Chain
 Side flexing chain
 Pitch: 63.5 mm (2.50 in)
 Backflex radius:
 75.0 mm (3.00 in)
 Permissible tensile strength:
 POM material 6000 N (1349 lbf)

 Standard shipping lengths:
 boxes of 96 links
 = 6.096 m (20.0 ft)

E		G		P		T		V	
mm	in	mm	in	mm	in	mm	in	mm	in
11.0	0.43	44.5	1.75	63.5	2.50	3.5	0.14	28.4	1.12

All dimensions are for chains in POM material.

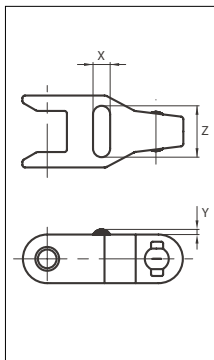
Nominal width (W)		Material & color	Pin material	Weight		Min. radius (R)	
mm	in			kg/m	lb/ft	mm	in
42.0	1.65	POM-D W G B	SS304	1.4	0.94	600.0	23.62

Non standard material and color: See uni Material and Color Overview.

Non standard pin material: See uni Material and Color Overview.

Accessories

Rubber Top



Link material	Rubber material	Z		X		Y	
		mm	in	mm	in	mm	in
POM-D W	05 I	30.0	1.18	10.0	0.39	3.0	0.12

When ordering, please state the required distance between the Rubber Top.

Other Non Standard rubber profiles:
 See uni Rubber Profile Overview.



STANDARD

SIDE FLEXING

PITCH 63.5 MM/2.50 IN

Sprocket

No of teeth	Pitch diameter		Overall-diameter		Min. ø bore		Max. ø bore		Hub-diameter		Dimension A		Dimension B		PA6	Cast iron	SS304
	mm	in	mm	in	mm	in	mm	in	mm	in	mm	in	mm	in	Molded	Molded	Machined
Z6	127.0	5.00	128.0	5.04	20.0	0.79	40.0	1.57	63.0	2.48	40.8	1.61	78.1	3.07	✓	✓	
Z8	165.9	6.53	168.9	6.65	20.0	0.79	50.0	1.97	73.5	2.89	62.5	2.46	97.5	3.84	✓	✓	✓
Z10	205.5	8.09	210.5	8.29	20.0	0.79	50.0	1.97	73.5	2.89	83.5	3.29	117.2	4.61	✓	✓	
Z11	225.4	8.87	231.4	9.11	20.0	0.79	50.0	1.97	73.5	2.89	93.9	3.70	127.1	5.00	✓	✓	

Non standard material and color:
See uni Material and Color Overview.

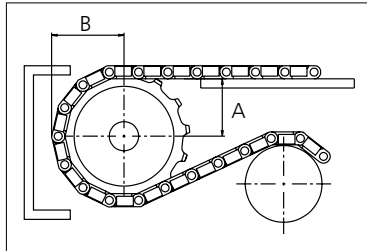
Machined sprocket



Cast iron sprocket



SS304 sprocket



Please ensure that sufficient size shaft and keyway are chosen for corresponding load.

Other sprocket sizes are available upon request
Width of tooth: 11.0 mm/0.43 in
Width of sprocket: 42.3 mm/1.66 in
uni Retainer Rings: See uni Retainer Ring data sheet

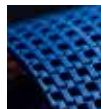
uni 2600 C/170210



Conveyor Belts



Seamless Belts



Modular Belts



Timing Belts



Transmission Belts



Fabrication & service

Expert advice, quality solutions and local service for all your belting needs
www.ammeraalbeltech.com

Ammeraal Beltech Modular A/S
Hjulmagervej 21
DK-7100 Vejle

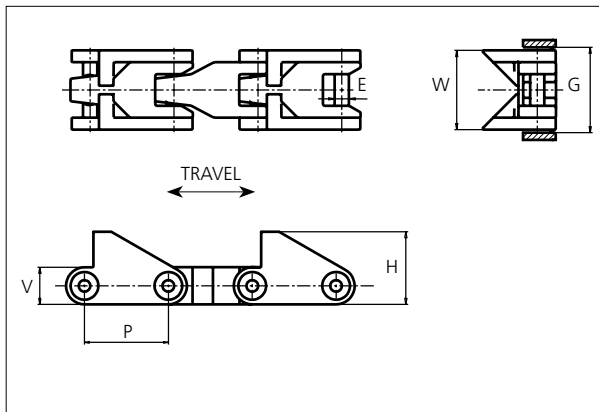
T +45 7572 3100
F +45 7572 3348
admin@unichains.com
www.unichains.com

This information is subject to alteration due to continuous development. Ammeraal Beltech will not be held liable for the incorrect use of the above stated information. This information replaces previous information. All activities performed and services rendered by Ammeraal Beltech are subject to general terms and conditions of sale and delivery, as applied by its operating companies.



uni Flex Plastic Chain

Series **uni 2600** Type **CV**



uni Flex Plastic Chain
 Straight running
 Pitch: 63.5 mm (2.50 in)
 Backflex radius: 75.0 mm (3.00 in)
 Permissible tensile strength:
 POM material: 6000 N (1349 lbf)
 The product supports can be placed no closer than every other pitch (127.0 mm or 5.00 in)
 Standard shipping lengths:
 boxes of 96 links
 = 6.096 m (20.0 ft)

E		G		H		P		V	
mm	in	mm	in	mm	in	mm	in	mm	in
11.0	0.43	64.0	2.52	55.0	2.17	63.5	2.50	28.4	1.12

All dimensions are for chains in POM material.

Nominal width (W)		Recommended Material & color	Recommended Pin material	Weight	
mm	in			kg/m	lb/ft
61.5	2.42	POM-D W	SS304	2.1	1.41

Non standard material and color: See uni Material and Color Overview.

Non standard pin material: See uni Material and Color Overview.

NON STANDARD

STRAIGHT RUNNING

PITCH 63.5 MM/2.50 IN



Sprocket

No of teeth	Pitch diameter		Overall-diameter		Min. ø bore		Max. ø bore		Hub-diameter		Dimension A		Dimension B		PA6	Cast iron	SS304
	mm	in	mm	in	mm	in	mm	in	mm	in	mm	in	mm	in	Molded	Molded	Machined
Z6	127.0	5.00	128.0	5.04	20.0	0.79	40.0	1.57	63.0	2.48	40.8	1.61	78.1	3.07	✓	✓	
Z8	165.9	6.53	168.9	6.65	20.0	0.79	50.0	1.97	73.5	2.89	62.5	2.46	97.5	3.84	✓	✓	✓
Z10	205.5	8.09	210.5	8.29	20.0	0.79	50.0	1.97	73.5	2.89	83.5	3.29	117.2	4.61	✓	✓	
Z11	225.4	8.87	231.4	9.11	20.0	0.79	50.0	1.97	73.5	2.89	93.9	3.70	127.1	5.00	✓	✓	

Non standard material and color:
See uni Material and Color Overview.

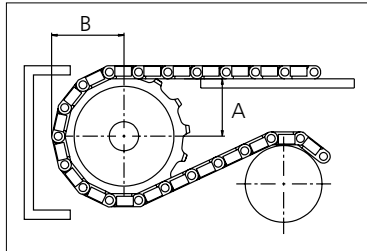
Machined sprocket



Cast iron sprocket



SS304 sprocket



Please ensure that sufficient size shaft and keyway are chosen for corresponding load.

Other sprocket sizes are available upon request
Width of tooth: 11.0 mm/0.43 in
Width of sprocket: 42.3 mm/1.66 in
uni Retainer Rings: See uni Retainer Ring data sheet

uni 2600 CV/161031



Conveyor Belts



Seamless Belts



Modular Belts



Timing Belts



Transmission Belts



Fabrication & service

Solid advice
For all your belting needs
Local stock & service
www.ammeraalbeltech.com

Ammeraal Beltech Modular A/S
Hjulmagervej 21
DK-7100 Vejle

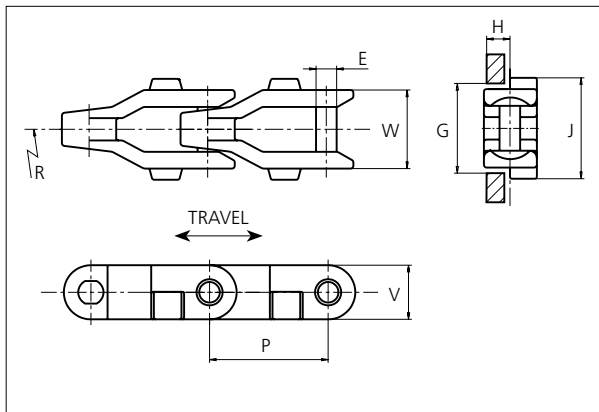
T +45 7572 3100
F +45 7572 3348
admin@unichains.com
www.unichains.com

This information is subject to alteration due to continuous development. Ammeraal Beltech will not be held liable for the incorrect use of the above stated information. This information replaces previous information. All activities performed and services rendered by Ammeraal Beltech are subject to general terms and conditions of sale and delivery, as applied by its operating companies.



uni Flex Plastic Chain

Series **uni 2600** Type **Tab O**



uni Flex Plastic Chain
 Side flexing chain
 Pitch: 63.5 mm (2.50 in)
 Backflex radius:
 75.0 mm (3.00 in)
 Permissible tensile strength:
 POM material:
 6000 N (1349 lbf)

 Standard shipping lengths:
 boxes of 96 links
 = 6.096 m (20.0 ft)

E		G		H		J		P		V	
mm	in	mm	in	mm	in	mm	in	mm	in	mm	in
11.0	0.43	44.5	1.75	14.0	0.55	54.0	2.13	63.5	2.50	28.4	1.12

All dimensions are for chains in POM material.

Nominal width (W)		Material & color	Pin material	Weight		Min. radius (R)	
mm	in			kg/m	lb/ft	mm	in
42.0	1.65	POM-D W G B POM-SLF DG	SS304	1.4	0.94	600	23.62

Non standard material and color: See uni Material and Color Overview.

Non standard pin material: See uni Material and Color Overview.

STANDARD

SIDE FLEXING CHAIN

PITCH 63.5 MM/2.50 IN



Sprocket

No of teeth	Pitch diameter		Overall-diameter		Min. ø bore		Max. ø bore		Hub-diameter		Dimension A		Dimension B		LG	Cast iron	SS304
	mm	in	mm	in	mm	in	mm	in	mm	in	mm	in	mm	in	Molded PA6	Molded	Machined
Z6	127.0	5.00	128.0	5.04	20.0	0.79	40.0	1.57	63.0	2.48	40.8	1.61	78.1	3.07	✓	✓	
Z8	165.9	6.53	168.9	6.65	20.0	0.79	50.0	1.97	73.5	2.89	62.5	2.46	97.5	3.84	✓	✓	✓
Z10	205.5	8.09	210.5	8.29	20.0	0.79	50.0	1.97	73.5	2.89	83.5	3.29	117.2	4.61	✓	✓	
Z11	225.4	8.87	231.4	9.11	20.0	0.79	50.0	1.97	73.5	2.89	93.9	3.70	127.1	5.00	✓	✓	

Non standard material and color:
See uni Material and Color Overview.

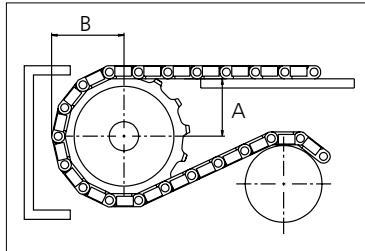
Machined sprocket



Cast iron sprocket



SS304 sprocket



Please ensure that sufficient size shaft and keyway are chosen for corresponding load.

Other sprocket sizes are available upon request
Width of tooth: 11.0 mm/0.43 in
Width of sprocket: 42.3 mm/1.66 in
uni Retainer Rings: See uni Retainer Ring data sheet



Conveyor Belts



Seamless Belts



Modular Belts



Timing Belts



Transmission Belts



Fabrication & service

Expert advice, quality solutions and local service for all your belting needs
www.ammeraalbeltech.com

Ammeraal Beltech Modular A/S
Hjulmagervej 21
DK-7100 Vejle

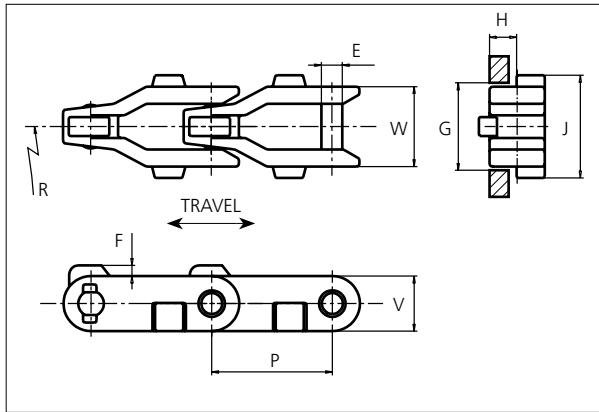
T +45 7572 3100
F +45 7572 3348
admin@unichains.com
www.unichains.com

This information is subject to alteration due to continuous development. Ammeraal Beltech will not be held liable for the incorrect use of the above stated information. This information replaces previous information. All activities performed and services rendered by Ammeraal Beltech are subject to general terms and conditions of sale and delivery, as applied by its operating companies.



uni Flex Plastic Chain

Series **uni 2600** Type **Tab O M**



uni Flex Plastic Chain
 Side flexing chain
 Pitch: 63.5 mm (2.50 in)
 Backflex radius:
 75.0 mm (3.00 in)
 Permissible tensile strength:
 POM material
 6000 N (1349 lbf)

 Standard shipping lengths:
 boxes of 96 links
 = 6.096 m (20.0 ft)

E		G		F		H		J		P		V	
mm	in	mm	in	mm	in	mm	in	mm	in	mm	in	mm	in
11.0	0.43	44.5	1.75	5.6	0.22	14.0	0.55	54.0	2.13	63.5	2.50	28.4	1.12

All dimensions are for chains in POM material.

Nominal width (W)		Recommended Material & color	Recommended Pin material	Weight		Min. radius R	
mm	in			kg/m	lb/ft	mm	in
42.0	1.65	POM-D W POM-LF BR	SS304	1.6	1.08	600.0	23.62

Non standard material and color: See uni Material and Color Overview.

Non standard pin material: See uni Material and Color Overview.

When ordering, please, state the required distance between the product supports.

NON STANDARD

SIDE FLEXING

PITCH 63.5 MM/2.50 IN



Sprocket

No of teeth	Pitch diameter		Overall-diameter		Min. ø bore		Max. ø bore		Hub-diameter		Dimension A		Dimension B		LG	Cast iron	SS304
	mm	in	mm	in	mm	in	mm	in	mm	in	mm	in	mm	in	Molded PA6	Molded	Machined
Z6	127.0	5.00	128.0	5.04	20.0	0.79	40.0	1.57	63.0	2.48	40.8	1.61	78.1	3.07	✓	✓	
Z8	165.9	6.53	168.9	6.65	20.0	0.79	50.0	1.97	73.5	2.89	62.5	2.46	97.5	3.84	✓	✓	✓
Z10	205.5	8.09	210.5	8.29	20.0	0.79	50.0	1.97	73.5	2.89	83.5	3.29	117.2	4.61	✓	✓	
Z11	225.4	8.87	231.4	9.11	20.0	0.79	50.0	1.97	73.5	2.89	93.9	3.70	127.1	5.00	✓	✓	

Non standard material and color:
See uni Material and Color Overview.

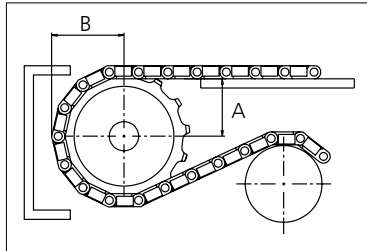
Machined sprocket



Cast iron sprocket



SS304 sprocket



Please ensure that sufficient size shaft and keyway are chosen for corresponding load.

Other sprocket sizes are available upon request
Width of tooth: 11.0 mm/0.43 in
Width of sprocket: 42.3 mm/1.66 in
uni Retainer Rings: See uni Retainer Ring data sheet



Conveyor Belts



Seamless Belts



Modular Belts



Timing Belts



Transmission Belts



Fabrication & service

Solid advice
For all your belting needs
Local stock & service
www.ammeraalbeltech.com

Ammeraal Beltech Modular A/S
Hjulmagervej 21
DK-7100 Vejle

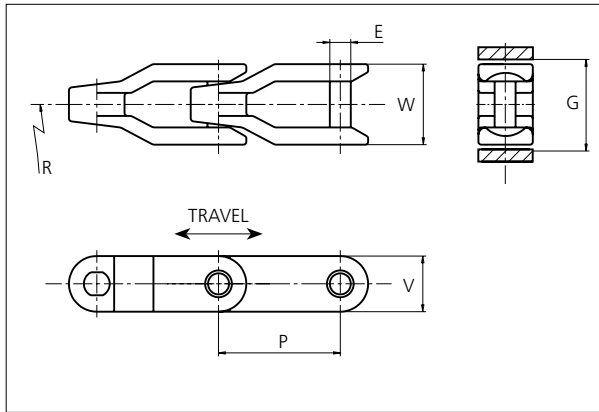
T +45 7572 3100
F +45 7572 3348
admin@unichains.com
www.unichains.com

This information is subject to alteration due to continuous development. Ammeraal Beltech will not be held liable for the incorrect use of the above stated information. This information replaces previous information. All activities performed and services rendered by Ammeraal Beltech are subject to general terms and conditions of sale and delivery, as applied by its operating companies.



uni Flex Plastic Chain

Series **uni 2600** Type **O**



uni Flex Chains
 Side flexing chain
 Pitch: 63.5 mm (2.50 in)
 Backflex radius:
 75.0 mm (3.00 in)
 Permissible tensile strength:
 POM material:
 6000 N (1349 lbf)

 Standard shipping lengths:
 boxes of 96 links = 6.096 m
 (20.0 ft)

STANDARD

E		G		P		V	
mm	in	mm	in	mm	in	mm	in
11.0	0.43	44.5	1.75	63.5	2.50	28.4	1.12

All dimensions are for chains in POM material.

Nominal width (W)		Material & color	Pin material	Weight		Min. radius (R)	
mm	in			kg/m	lb/ft	mm	in
42.0	1.65	POM-D W G B	SS304	1.3	0.87	600	23.62

Non standard material and color: See uni Material and Color Overview.

Non standard pin material: See uni Material and Color Overview.

SIDE FLEXING

PITCH 63.5 MM/2.50 IN



Sprocket

No of teeth	Pitch diameter		Overall-diameter		Min. ϕ bore		Max. ϕ bore		Hub-diameter		Dimension A		Dimension B		LG	Cast iron	SS304
	mm	in	mm	in	mm	in	mm	in	mm	in	mm	in	mm	in	Molded PA6	Molded	Machined
Z6	127.0	5.00	128.0	5.04	20.0	0.79	40.0	1.57	63.0	2.48	40.8	1.61	78.1	3.07	✓	✓	
Z8	165.9	6.53	168.9	6.65	20.0	0.79	50.0	1.97	73.5	2.89	62.5	2.46	97.5	3.84	✓	✓	✓
Z10	205.5	8.09	210.5	8.29	20.0	0.79	50.0	1.97	73.5	2.89	83.5	3.29	117.2	4.61	✓	✓	
Z11	225.4	8.87	231.4	9.11	20.0	0.79	50.0	1.97	73.5	2.89	93.9	3.70	127.1	5.00	✓	✓	

Non standard material and color:
See uni Material and Color Overview.

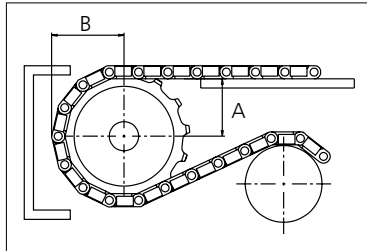
Machined sprocket



Cast iron sprocket



SS304 sprocket



Please ensure that sufficient size shaft and keyway are chosen for corresponding load.

Other sprocket sizes are available upon request

Width of tooth: 11.0 mm/0.43 in

Width of sprocket: 42.3 mm/1.66 in

uni Retainer Rings: See uni Retainer Ring data sheet

uni 2600 O/160621



Conveyor Belts



Seamless Belts



Modular Belts



Timing Belts



Transmission Belts



Fabrication & service

Expert advice, quality solutions and local service for all your belting needs
www.ammeraalbeltech.com

Ammeraal Beltech Modular A/S
Hjulmagervej 21
DK-7100 Vejle

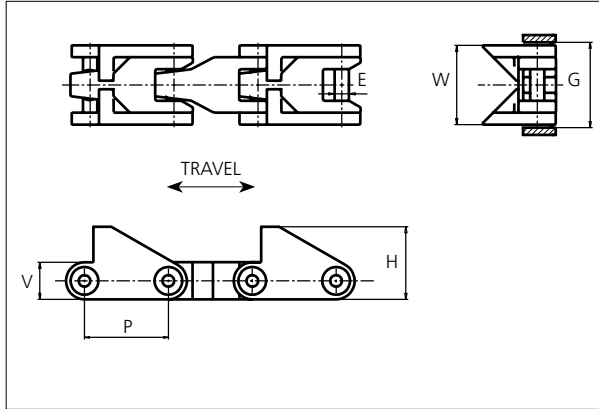
T +45 7572 3100
F +45 7572 3348
admin@unichains.com
www.unichains.com

This information is subject to alteration due to continuous development. Ammeraal Beltech will not be held liable for the incorrect use of the above stated information. This information replaces previous information. All activities performed and services rendered by Ammeraal Beltech are subject to general terms and conditions of sale and delivery, as applied by its operating companies.



uni Flex Plastic Chain

Series **uni 2600** Type **OV**



uni Flex Plastic Chain
 Straight running
 Pitch: 63.5 mm (2.50 in)
 Backflex radius:
 75.0 mm (3.00 in)
 Permissible tensile strength:
 POM material:
 6000 N (1349 lbf)

 Standard shipping lengths:
 boxes of 96 links
 = 6.096 m (20.0 ft)

NON STANDARD

E		G		H		P		V	
mm	in	mm	in	mm	in	mm	in	mm	in
11.0	0.43	64.0	2.25	55.0	2.17	63.5	2.50	28.4	1.12

All dimensions are for chains in POM material.

Nominal width (W)		Recommended Material & color	Recommended Pin material	Weight	
mm	in			kg/m	lb/ft
61.5	2.42	POM-D W	SS304	2.0	1.34

Non standard material and color: See uni Material and Color Overview.

Non standard pin material: See uni Material and Color Overview.

STRAIGHT RUNNING

PITCH 63.5 MM/2.50 IN



Sprocket

No of teeth	Pitch diameter		Overall-diameter		Min. ø bore		Max. ø bore		Hub-diameter		Dimension A		Dimension B		Molded PA6 LG	Molded Cast iron	Machined SS304
	mm	in	mm	in	mm	in	mm	in	mm	in	mm	in	mm	in			
Z6	127.0	5.00	128.0	5.04	20.0	0.79	40.0	1.57	63.0	2.48	40.8	1.61	78.1	3.07	✓	✓	
Z8	165.9	6.53	168.9	6.65	20.0	0.79	50.0	1.97	73.5	2.89	62.5	2.46	97.5	3.84	✓	✓	✓
Z10	205.5	8.09	210.5	8.29	20.0	0.79	50.0	1.97	73.5	2.89	83.5	3.29	117.2	4.61	✓	✓	
Z11	225.4	8.87	231.4	9.11	20.0	0.79	50.0	1.97	73.5	2.89	93.9	3.70	127.1	5.00	✓	✓	

Non standard material and color:
See uni Material and Color Overview.

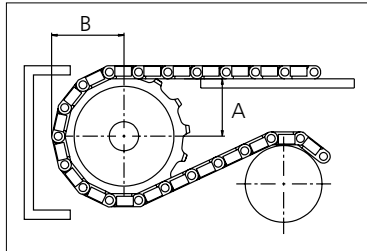
Machined sprocket



Cast iron sprocket



SS304 sprocket



Please ensure that sufficient size shaft and keyway are chosen for corresponding load.

Other sprocket sizes are available upon request
Width of tooth: 11.0 mm/0.43 in
Width of sprocket: 42.3 mm/1.66 in
uni Retainer Rings: See uni Retainer Ring data sheet

uni 2600 OV/160624



Conveyor Belts



Seamless Belts



Modular Belts



Timing Belts



Transmission Belts



Fabrication & service

Solid advice
For all your belting needs
Local stock & service
www.ammeraalbeltech.com

Ammeraal Beltech Modular A/S
Hjulmagervej 21
DK-7100 Vejle

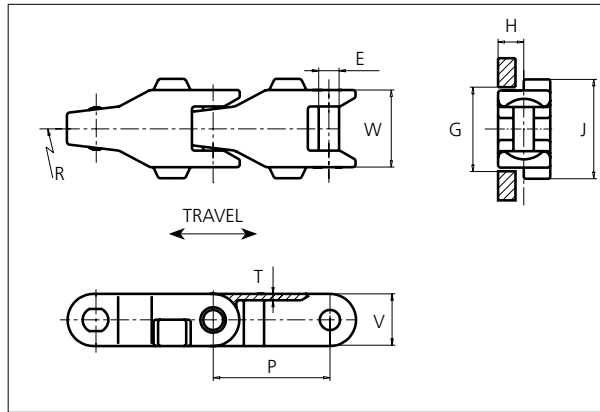
T +45 7572 3100
F +45 7572 3348
admin@unichains.com
www.unichains.com

This information is subject to alteration due to continuous development. Ammeraal Beltech will not be held liable for the incorrect use of the above stated information. This information replaces previous information. All activities performed and services rendered by Ammeraal Beltech are subject to general terms and conditions of sale and delivery, as applied by its operating companies.



uni Flex Plastic Chain

Series **uni 2600** Type **Tab C**



uni Flex Plastic Chain
 Side flexing chain
 Pitch: 63.5 mm (2.50 in)
 Backflex radius:
 75.0 mm (3.00 in)
 Permissible tensile strength:
 POM material:
 6000 N (1349 lbf)

 Standard shipping lengths:
 boxes of 96 links
 = 6.096 m (20.0 ft)

STANDARD

E		G		H		J		P		T		V	
mm	in	mm	in	mm	in	mm	in	mm	in	mm	in	mm	in
11.0	0.43	44.5	1.75	14.0	0.55	54.0	2.13	63.5	2.50	3.5	0.14	28.4	1.12

All dimensions are for chains in POM material.

Nominal width (W)		Material & color	Pin material	Weight		Min. radius (R)	
mm	in			kg/m	lb/ft	mm	in
42.0	1.65	POM-D W G B	SS304	1.5	1.00	600	23.62

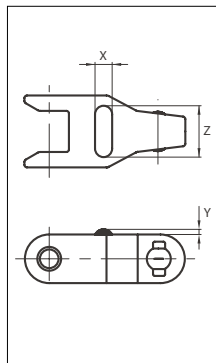
Non standard material and color: See uni Material and Color Overview.

Non standard pin material: See uni Material and Color Overview.

SIDE FLEXING

Accessories

Rubber Top



Link material	Rubber material	Z		X		Y	
		mm	in	mm	in	mm	in
POM-D W	05 I	30.0	1.18	10.0	0.39	3.0	0.12

When ordering, please state the required distance between the Rubber Top.

Other Non Standard rubber profiles:
 See uni Rubber Profile Overview.

PITCH 63.5 MM/2.50 IN



Sprocket

No of teeth	Pitch diameter		Overall-diameter		Min. ø bore		Max. ø bore		Hub-diameter		Dimension A		Dimension B		LG	Cast iron	SS304
	mm	in	mm	in	mm	in	mm	in	mm	in	mm	in	mm	in	Molded PA6	Molded	Machined
Z6	127.0	5.00	128.0	5.04	20.0	0.79	40.0	1.57	63.0	2.48	40.8	1.61	78.1	3.07	✓	✓	
Z8	165.9	6.53	168.9	6.65	20.0	0.79	50.0	1.97	73.5	2.89	62.5	2.46	97.5	3.84	✓	✓	✓
Z10	205.5	8.09	210.5	8.29	20.0	0.79	50.0	1.97	73.5	2.89	83.5	3.29	117.2	4.61	✓	✓	
Z11	225.4	8.87	231.4	9.11	20.0	0.79	50.0	1.97	73.5	2.89	93.9	3.70	127.1	5.00	✓	✓	

Non standard material and color:
See uni Material and Color Overview.

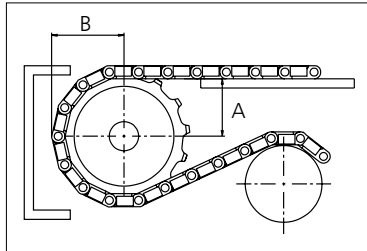
Machined sprocket



Cast iron sprocket



SS304 sprocket



Please ensure that sufficient size shaft and keyway are chosen for corresponding load.

Other sprocket sizes are available upon request
Width of tooth: 11.0 mm/0.43 in
Width of sprocket: 42.3 mm/1.66 in
uni Retainer Rings: See uni Retainer Ring data sheet

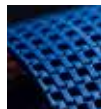
uni 2600 Tab C/170523



Conveyor Belts



Seamless Belts



Modular Belts



Timing Belts



Transmission Belts



Fabrication & service

Expert advice, quality solutions and local service for all your belting needs
www.ammeraalbeltech.com

Ammeraal Beltech Modular A/S
Hjulmagervej 21
DK-7100 Vejle

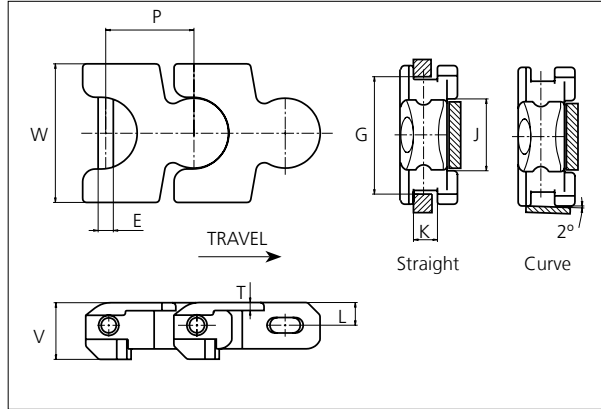
T +45 7572 3100
F +45 7572 3348
admin@unichains.com
www.unichains.com

This information is subject to alteration due to continuous development. Ammeraal Beltech will not be held liable for the incorrect use of the above stated information. This information replaces previous information. All activities performed and services rendered by Ammeraal Beltech are subject to general terms and conditions of sale and delivery, as applied by its operating companies.



uni Flex Plastic Chain

Series **uni 2700** Type -



uni Flex Plastic Chain
 Side flexing chain
 Pitch: 70.0 mm (2.76 in)
 Backflex radius:
 200 mm (8.00 in)
 Permissible tensile strength:
 POM material:
 11000 N (2473 lbf)

 Standard shipping lengths:
 boxes of 72 links
 = 5.040 m (16.5 ft)

STANDARD

E		G		J		K		L		P		T		V	
mm	in	mm	in	mm	in	mm	in	mm	in	mm	in	mm	in	mm	in
12.0	0.47	92.0	3.64	57.0	2.24	19.0	0.75	18.5	0.71	70.0	2.76	6.3	0.25	45.0	1.77

All dimensions are for chains in POM material.

Width (W)		Material & color	Pin material	Weight		Min. radius (R)	
mm	in			kg/m	lb/ft	mm	in
110.0	4.33	POM-D W POM-LF BR	SS304	4.6	3.09	300.0	11.81

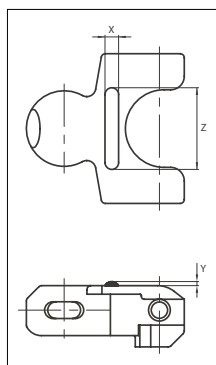
Non standard material and color: See uni Material and Color Overview.

Non standard pin material: See uni Material and Color Overview.

SIDE FLEXING

Accessories

Rubber Top/NON STANDARD



Link material	Rubber material	Z		X		Y	
		mm	in	mm	in	mm	in
POM-D W	05 I	10.0	0.39	60.0	2.36	3.0	0.12

When ordering, please state the required distance between the Rubber Top.

Other Non Standard rubber profiles:
 See uni Rubber Profile Overview

PITCH 70.0 MM/2.76 IN

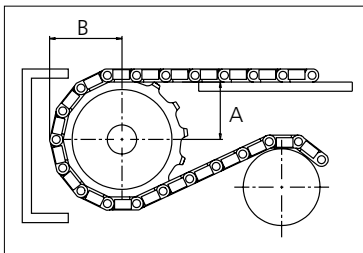


Sprocket

No of teeth	Pitch diameter		Overall diameter		Min. ø bore		Max. ø bore		Hub diameter		Dimension A		Dimension B		Machined  PAG
	mm	in	mm	in	mm	in	mm	in	mm	in	mm	in	mm	in	
Z8	182.8	7.20	184.0	7.2	20.00	0.8	50.00	2.0	73.50	2.9	92.80	3.7	116.70	4.6	✓
Z10	226.4	8.91	227.6	9.0	20.00	0.8	50.00	2.0	73.50	2.9	116.00	4.6	137.60	5.4	✓

Non standard material and color:
See uni Material and Color Overview.

Machined sprocket



Please ensure that sufficient size shaft and keyway are chosen for corresponding load.

Other sprocket sizes are available upon request
Width of tooth: 15.0 mm/0.60 in
Width of sprocket: 42.3 mm/1.70 in
uni Retainer Rings: See uni Retainer Ring data sheet

uni 2700/160621



Conveyor Belts



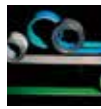
Seamless Belts



Modular Belts



Timing Belts



Transmission Belts



Fabrication & service

Solid advice
For all your belting needs
Local stock & service
www.ammeraalbeltech.com

Ammeraal Beltech Modular A/S
Hjulmagervej 21
DK-7100 Vejle

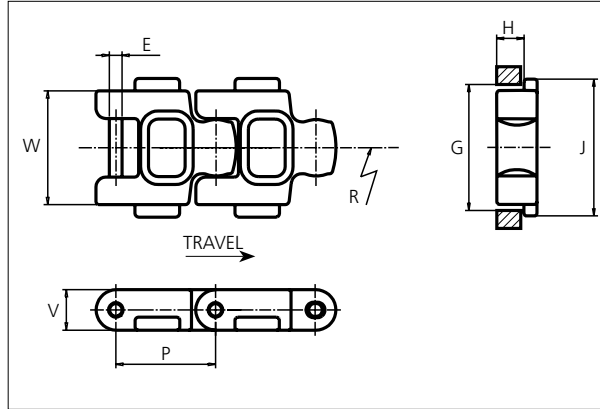
T +45 7572 3100
F +45 7572 3348
admin@unichains.com
www.unichains.com

This information is subject to alteration due to continuous development. Ammeraal Beltech will not be held liable for the incorrect use of the above stated information. This information replaces previous information. All activities performed and services rendered by Ammeraal Beltech are subject to general terms and conditions of sale and delivery, as applied by its operating companies.



uni Flex Plastic Chain

Series **uni 3200** Type **Tab**



uni Flex Plastic Chain
 Side flexing chain
 Pitch: 50.8 mm (2.00 in)
 Backflex radius:
 60.0 mm (2.40 in)
 Permissible tensile strength:
 POM material: 2525 N (568 lbf)

 Standard shipping lengths:
 boxes of 120 links
 = 6.096 m (20.0 ft)

STANDARD

E		G		J		H		P		V	
mm	in	mm	in	mm	in	mm	in	mm	in	mm	in
6.4	0.25	59.5	2.34	69.9	2.75	13.8	0.54	50.8	2.00	20.3	0.80

All dimensions are for chains in POM material.

Width (W)		Material & color	Pin material	Weight		Min. radius R	
mm	in			kg/m	lb/ft	mm	in
57.2	2.25	POM-DI G	SS304	1.3	0.87	406.0	16.00

Non standard material and color: See uni Material and Color Overview.


Non standard pin material: See uni Material and Color Overview.

SIDE FLEXING

PITCH 50.8 MM/2.00 IN

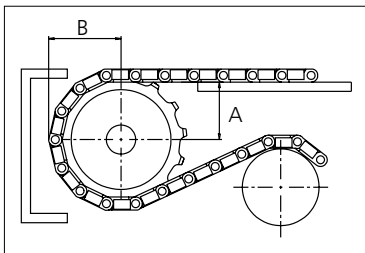


Sprocket

No of teeth	Pitch diameter		Overall-diameter		Min. ø bore		Max. ø bore		Hub-diameter		Dimension A		Dimension B		Machined  PAG
	mm	in	mm	in	mm	in	mm	in	mm	in	mm	in	mm	in	
Z8	132.9	5.23	134.0	5.30	19.1	0.80	40.0	1.60	65.0	2.60	51.2	2.00	79.6	3.10	✓
Z10	164.5	6.48	160.0	6.30	19.1	0.80	40.0	1.60	65.0	2.60	68.0	2.70	92.4	3.60	✓
Z10	164.5	6.48	160.0	6.30	40.0	1.60	70.0	2.80	120.0	4.70	68.0	2.70	92.4	3.60	✓
Z12	194.4	7.65	204.0	8.00	19.1	0.80	40.0	1.60	65.0	2.60	84.7	3.30	108.4	4.30	✓
Z12	194.4	7.65	204.0	8.00	40.0	1.60	70.0	2.80	120.0	4.70	84.7	3.30	108.4	4.30	✓
Z15	244.4	9.62	250.0	9.80	19.1	0.80	40.0	1.60	65.0	2.60	109.4	4.30	132.4	5.20	✓
Z15	244.4	9.62	250.0	9.80	40.0	1.60	70.0	2.80	120.0	4.70	109.4	4.30	132.4	5.20	✓

Machined sprocket

Non standard material and color:
See uni Material and Color Overview.



Please ensure that sufficient size shaft and keyway are chosen for corresponding load.

Other sprocket sizes are available upon request
Width of tooth: 25.0 mm/1.00 in
Width of sprocket: 42.3 mm/1.70 in
uni Retainer Rings: See uni Retainer Ring data sheet

uni 3200 Tab/160621



Solid advice
For all your belting needs
Local stock & service
www.ammeraalbeltech.com

Ammeraal Beltech Modular A/S
Hjulmagervej 21
DK-7100 Vejle

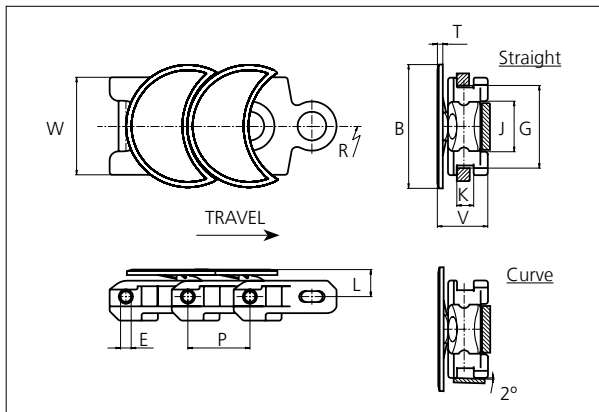
T +45 7572 3100
F +45 7572 3348
admin@unichains.com
www.unichains.com

This information is subject to alteration due to continuous development. Ammeraal Beltech will not be held liable for the incorrect use of the above stated information. This information replaces previous information. All activities performed and services rendered by Ammeraal Beltech are subject to general terms and conditions of sale and delivery, as applied by its operating companies.



uni Flex Plastic Chain

Series **uni 2700** Type **H**



uni Flex Plastic Chain
 Side flexing chain
 Pitch: 70.0 mm (2.76 in)
 Permissible tensile strength:
 POM material:
 11000 N (2473 lbf)
 Standard shipping lengths:
 boxes of 72 links
 = 5.040 m (16.5 ft)
Note that the 2700 H cannot backflex.

B		E		G		J		K		L		P		T		V	
mm	in	mm	in	mm	in	mm	in	mm	in	mm	in	mm	in	mm	in	mm	in
139.0	5.47	12.0	0.47	92.0	3.62	57.0	2.24	19.0	0.75	29.4	1.16	70.0	2.76	6.1	0.24	56.4	2.22

All dimensions are for chains in POM material.

Width (W)		Recommended base material & color	Recommended plate material & color	Weight		Min. radius (R)	
mm	in			kg/m	lb/ft	mm	in
110.0	4.33	POM-D W POM-D G POM-LF BR	POM-D W POM-D G POM-LF BR	5.6	3.76	600.0	23.62

Non standard base material and color: See uni Material and Color Overview.

Non standard plate material and color: See uni Material and Color Overview.


NON STANDARD

SIDE FLEXING

PITCH 70.0 MM/2.76 IN

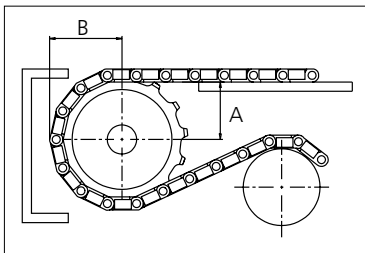


Sprocket

No of teeth	Pitch diameter		Overall-diameter		Min. ø bore		Max. ø bore		Hub-diameter		Dimension A		Dimension B		 Machined PAG
	mm	in	mm	in	mm	in	mm	in	mm	in	mm	in	mm	in	
Z8	182.8	7.20	184.0	7.2	20.00	0.8	50.00	2.0	73.50	2.9	92.80	3.7	116.70	4.6	✓
Z10	226.4	8.91	227.6	9.0	20.00	0.8	50.00	2.0	73.50	2.9	116.00	4.6	137.60	5.4	✓

Non standard material and color:
See uni Material and Color Overview.

Machined sprocket



Please ensure that sufficient size shaft and keyway are chosen for corresponding load.

Other sprocket sizes are available upon request
Width of tooth: 15.0 mm/0.60 in
Width of sprocket: 42.3 mm/1.70 in
uni Retainer Rings: See uni Retainer Ring data sheet

uni 2700 HV160621



Solid advice
For all your belting needs
Local stock & service
www.ammeraalbeltech.com

Ammeraal Beltech Modular A/S
Hjulmagervej 21
DK-7100 Vejle

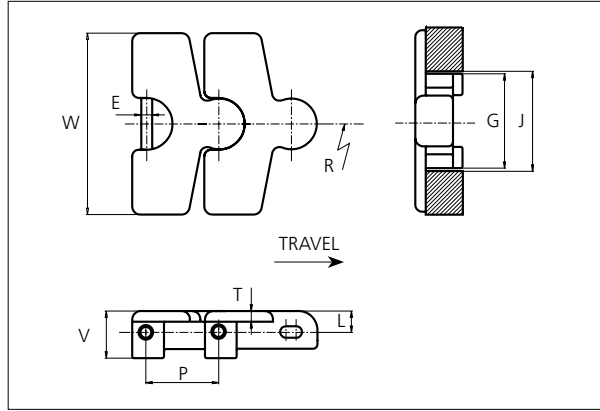
T +45 7572 3100
F +45 7572 3348
admin@unichains.com
www.unichains.com

This information is subject to alteration due to continuous development. Ammeraal Beltech will not be held liable for the incorrect use of the above stated information. This information replaces previous information. All activities performed and services rendered by Ammeraal Beltech are subject to general terms and conditions of sale and delivery, as applied by its operating companies.



uni Flex Plastic Chain

Series **uni 3000** Type -



uni Flex Plastic Chain
 Side flexing chain
 Pitch: 80.1 mm (3.15 in)
 Backflex radius:
 200.0 mm (8.00 in)
 Permissible tensile strength:
 POM material
 11000 N (2473 lbf)

 Standard shipping lengths:
 boxes of 38 links
 = 3.044 m (10.0 ft)

NON STANDARD

E		G		J		L		P		T		V	
mm	in	mm	in	mm	in	mm	in	mm	in	mm	in	mm	in
12.1	0.48	104.0	4.09	110.0	4.33	28.4	1.12	80.1	3.15	9.0	0.35	52.0	2.05

All dimensions are for chains in POM material.

Width (W)		Recommended Material & color	Recommended Pin material	Weight		Min radius R	
mm	in			kg/m	lb/ft	mm	in
200.0	7.87	POM-D W POM-D G	SS304	5.8	3.90	600.0	23.62

Non standard material and color: See uni Material and Color Overview.



Non standard pin material: See uni Material and Color Overview.

SIDE FLEXING

PITCH 80.1 MM/3.15 IN

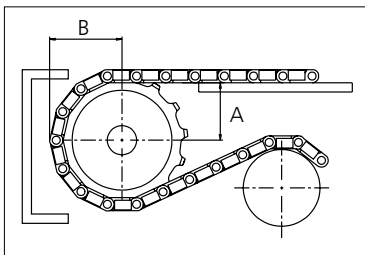


Sprocket

No of teeth	Pitch diameter		Overall-diameter		Min. ø bore		Max. ø bore		Hub-diameter		Dimension A		Dimension B		 Machined PAG
	mm	in	mm	in	mm	in	mm	in	mm	in	mm	in	mm	in	
Z10	226.4	8.91	227.6	8.96	20.0	0.79	50.0	1.97	73.5	2.89	116.0	4.57	137.6	5.42	

Non standard material and color:
See uni Material and Color Overview.

Machined sprocket



Please ensure that sufficient size shaft and keyway are chosen for corresponding load.

Other sprocket sizes are available upon request
 Width of tooth: 15.0 mm/0.60 in
 Width of sprocket: 42.3 mm/1.66 in
 uni Retainer Rings: See uni Retainer Ring data sheet

uni 3000/160623



Expert advice, quality solutions and local service for all your belting needs
www.ammeraalbeltech.com

Ammeraal Beltech Modular A/S
 Hjulmagervej 21
 DK-7100 Vejle

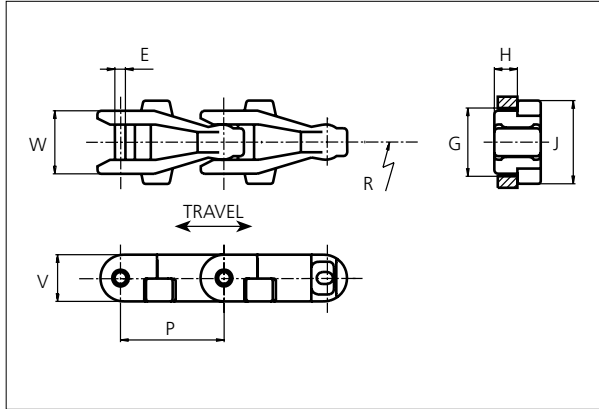
T +45 7572 3100
 F +45 7572 3348
admin@unichains.com
www.unichains.com

This information is subject to alteration due to continuous development. Ammeraal Beltech will not be held liable for the incorrect use of the above stated information. This information replaces previous information. All activities performed and services rendered by Ammeraal Beltech are subject to general terms and conditions of sale and delivery, as applied by its operating companies.



uni Flex Plastic Chain

Series **uni 2800** Type **Tab**



uni Flex Plastic Chain
 Side flexing chain
 Pitch: 82.5 mm (3.25 in)
 Backflex radius:
 75.0 mm (2.90 in)
 Permissible tensile strength:
 POM material:
 6000 N (1349 lbf)

 Standard shipping lengths:
 boxes of 74 links
 = 6.105 m (20.0 ft)

STANDARD

E		G		H		J		P		V	
mm	in	mm	in	mm	in	mm	in	mm	in	mm	in
9.5	0.37	54.0	2.13	18.1	0.71	67.4	2.65	82.5	3.25	37.3	1.47

All dimensions are for chains in POM material.

Width (W)		Material & color	Pin material	Weight		Min. radius (R)	
mm	in			kg/m	lb/ft	mm	in
53.5	2.11	POM-D W	SS304	1.7	1.14	500	19.69

Non standard material and color: See uni Material and Color Overview.


Non standard pin material: See uni Material and Color Overview.

UNI FLEX PLASTIC CHAIN

PITCH 82.5 MM/3.25 IN

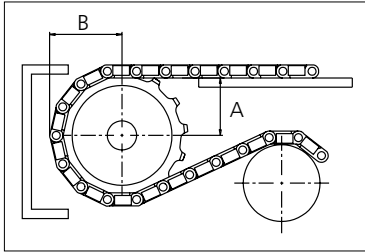


Sprocket

No of teeth	Pitch diameter		Overall-diameter		Min. ø bore		Max. ø bore		Hub-diameter		Dimension A		Dimension B		 Machined PAG
	mm	in	mm	in	mm	in	mm	in	mm	in	mm	in	mm	in	
Z6	165.0	6.50	168.0	6.60	20.0	0.80	40.0	1.60	63.0	2.50	53.0	2.10	101.0	4.00	✓
Z8	215.6	8.49	224.0	8.80	20.0	0.80	50.0	2.00	73.5	2.90	81.1	3.20	126.3	5.00	✓
Z10	267.0	10.51	277.0	10.90	20.0	0.80	50.0	2.00	73.5	2.90	108.5	4.30	152.0	6.00	✓

Non standard material and color:
See uni Material and Color Overview.

Machined sprocket



Please ensure that sufficient size shaft and keyway are chosen for corresponding load.

Other sprocket sizes are available upon request
 Width of tooth: 15.0 mm/0.59 in
 Width of sprocket: 42.3 mm/1.67 in
 uni Retainer Rings: See uni Retainer Ring data sheet

uni 2800 Tab/160624



Solid advice
 For all your belting needs
 Local stock & service
www.ammeraalbeltech.com

Ammeraal Beltech Modular A/S
 Hjulmagervej 21
 DK-7100 Vejle

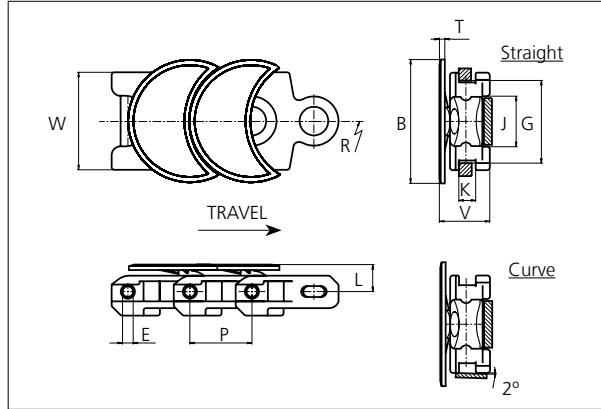
T +45 7572 3100
 F +45 7572 3348
 admin@unichains.com
 www.unichains.com

This information is subject to alteration due to continuous development. Ammeraal Beltech will not be held liable for the incorrect use of the above stated information. This information replaces previous information. All activities performed and services rendered by Ammeraal Beltech are subject to general terms and conditions of sale and delivery, as applied by its operating companies.



uni Flex Plastic Chain

Series **uni 2700** Type **H R**



uni Flex Plastic Chain
 Side flexing chain
 Pitch: 70.0 mm (2.76 in)
 Permissible tensile strength:
 POM material
 11000 N (2473 lbf)

 Standard shipping lengths:
 boxes of 72 links
 = 5.040 m (16.5 ft)

Note that the 2700 H R cannot backflex.

NON STANDARD

B		E		G		J		K		L		P		T		V	
mm	in	mm	in	mm	in	mm	in	mm	in	mm	in	mm	in	mm	in	mm	in
139.0	5.47	12.0	0.47	92.0	3.62	57.0	2.24	19.0	0.75	29.4	1.16	70.0	2.76	6.1	0.24	56.4	2.22

All dimensions are for chains in POM material.

Width (W)		Recommended base material & color	Recommended plate material & color	Weight		Min. radius (R)	
mm	in			kg/m	lb/ft	mm	in
110.0	4.33	POM-D W POM-D G POM-LF BR	POM-D W POM-D G POM-LF BR	4.33	5.4	250.0	9.84

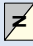
Non standard base material and color: See uni Material and Color Overview.
 Non standard plate material and color: See uni Material and Color Overview.

SIDE FLEXING

PITCH 70.0 MM/2.76 IN

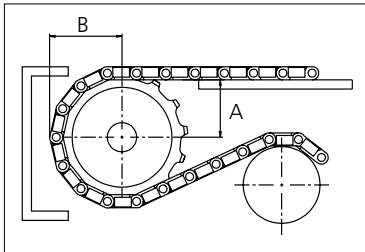


Sprocket

No of teeth	Pitch diameter		Overall-diameter		Min. ø bore		Max. ø bore		Hub-diameter		Dimension A		Dimension B		 Machined PA6
	mm	in	mm	in	mm	in	mm	in	mm	in	mm	in	mm	in	
Z8	182.8	7.20	184.0	7.2	20.00	0.8	50.00	2.0	73.50	2.9	92.80	3.7	116.70	4.6	✓
Z10	226.4	8.91	227.6	9.0	20.00	0.8	50.00	2.0	73.50	2.9	116.00	4.6	137.60	5.4	✓

Non standard material and color:
See uni Material and Color Overview.

Machined sprocket



Please ensure that sufficient size shaft and keyway are chosen for corresponding load.

Other sprocket sizes are available upon request
 Width of tooth: 15.0 mm/0.60 in
 Width of sprocket: 42.3 mm/1.70 in
 uni Retainer Rings: See uni Retainer Ring data sheet

uni 2700 H R/160624



Conveyor Belts



Seamless Belts



Modular Belts



Timing Belts



Transmission Belts



Fabrication & service

Solid advice
 For all your belting needs
 Local stock & service
www.ammeraalbeltech.com

Ammeraal Beltech Modular A/S
 Hjulmagervej 21
 DK-7100 Vejle

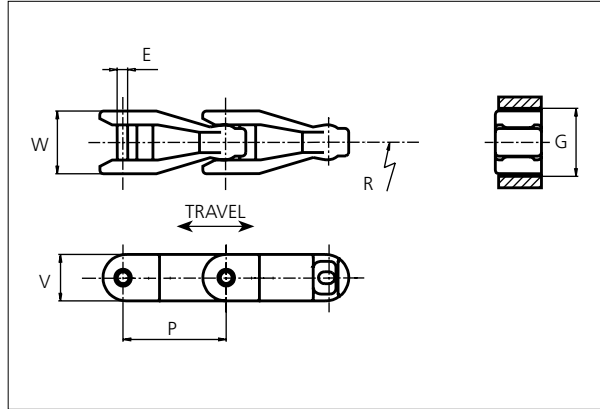
T +45 7572 3100
 F +45 7572 3348
 admin@unichains.com
 www.unichains.com

This information is subject to alteration due to continuous development. Ammeraal Beltech will not be held liable for the incorrect use of the above stated information. This information replaces previous information. All activities performed and services rendered by Ammeraal Beltech are subject to general terms and conditions of sale and delivery, as applied by its operating companies.



uni Flex Plastic Chain

Series **uni 2800** Type -



uni Flex Plastic Chain
 Side flexing chain
 Pitch: 82.5 mm (3.25 in)
 Backflex radius:
 75.0 mm (2.90 in)
 Permissible tensile strength:
 POM material:
 6000 N (1349 lbf)

 Standard shipping lengths:
 boxes of 74 links
 = 6.105 m (20.0 ft)

STANDARD

E		G		P		V	
mm	in	mm	in	mm	in	mm	in
9.5	0.37	54.0	2.13	82.5	3.25	37.3	1.47

All dimensions are for chains in POM material.

Width (W)		Material & color	Pin material	Weight		Min. radius (R)	
mm	in			kg/m	lb/ft	mm	in
53.5	2.11	POM-D W	SS304	1.6	1.09	500	19.69

Non standard material and color: See uni Material and Color Overview.


Non standard pin material: See uni Material and Color Overview.

SIDE FLEXING

PITCH 82.5 MM/3.25 IN

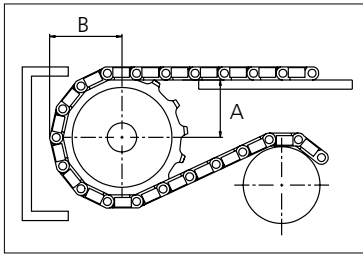


Sprocket

No of teeth	Pitch diameter		Overall-diameter		Min. ϕ bore		Max. ϕ bore		Hub-diameter		Dimension A		Dimension B		 Machined PA6
	mm	in	mm	in	mm	in	mm	in	mm	in	mm	in	mm	in	
Z6	165.0	6.50	168.0	6.60	20.0	0.80	40.0	1.60	63.0	2.50	53.0	2.10	101.0	4.00	✓
Z8	215.6	8.49	224.0	8.80	20.0	0.80	50.0	2.00	73.5	2.90	81.1	3.20	126.3	5.00	✓
Z10	267.0	10.51	277.0	10.90	20.0	0.80	50.0	2.00	73.5	2.90	108.5	4.30	152.0	6.00	✓

Machined sprocket

Non standard material and color:
See uni Material and Color Overview.



Please ensure that sufficient size shaft and keyway are chosen for corresponding load.

Other sprocket sizes are available upon request
 Width of tooth: 15.0 mm/0.59 in
 Width of sprocket: 42.3 mm/1.67 in
 uni Retainer Rings: See uni Retainer Ring data sheet

uni 2800/160624



Solid advice
 For all your belting needs
 Local stock & service
www.ammeraalbeltech.com

Ammeraal Beltech Modular A/S
 Hjulmagervej 21
 DK-7100 Vejle

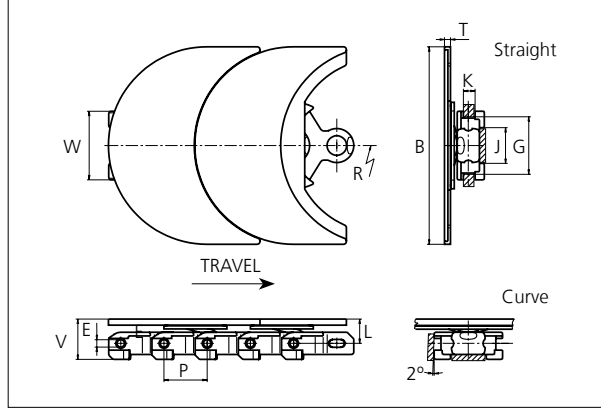
T +45 7572 3100
 F +45 7572 3348
 admin@unichains.com
 www.unichains.com

This information is subject to alteration due to continuous development. Ammeraal Beltech will not be held liable for the incorrect use of the above stated information. This information replaces previous information. All activities performed and services rendered by Ammeraal Beltech are subject to general terms and conditions of sale and delivery, as applied by its operating companies.



uni Flex Plastic Chain

Series **uni 2700** Type **LH**



uni Flex Chains
 Side flexing chain
 Pitch: 70.0 mm (2.76 in)
 Permissible tensile strength:
 POM material
 11000 N (2473 lbf)
 Standard shipping lengths:
 boxes of 36 links
 = 2.520 (8.25 ft)
Note that the 2700 LH cannot backflex.

NON STANDARD

B		E		G		J		K		L		P		T		V	
mm	in	mm	in	mm	in	mm	in	mm	in	mm	in	mm	in	mm	in	mm	in
320.0	12.60	12.0	0.47	92.0	3.62	57.0	2.24	19.0	0.75	38.9	1.53	70.0	2.76	9.5	0.37	65.9	2.59

All dimensions are for chains in POM material.

Width (W)		Recommended base material & color	Recommended plate material & color	Weight		Min. radius (R)	
mm	in			kg/m	lb/ft	mm	in
110.0	4.33	POM-LF BR	PA6 K	8.7	5.85	600.0	23.62

Non standard material and color: See uni Material and Color Overview.
 Non standard pin material: See uni Material and Color Overview.

SIDE FLEXING

PITCH 70.0 MM/2.76 IN

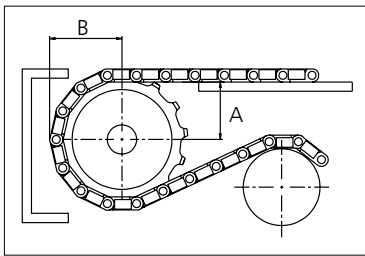


Sprocket

No of teeth	Pitch diameter		Overall-diameter		Min. ø bore		Max. ø bore		Hub-diameter		Dimension A		Dimension B		Machined  PAG 
	mm	in	mm	in	mm	in	mm	in	mm	in	mm	in	mm	in	
Z8	182.8	7.20	184.0	7.2	20.00	0.8	50.00	2.0	73.50	2.9	92.80	3.7	116.70	4.6	
Z10	226.4	8.91	227.6	9.0	20.00	0.8	50.00	2.0	73.50	2.9	116.00	4.6	137.60	5.4	

Non standard material and color:
See uni Material and Color Overview.

Machined sprocket



Please ensure that sufficient size shaft and keyway are chosen for corresponding load.

Other sprocket sizes are available upon request
Width of tooth: 15.0 mm/0.60 in
Width of sprocket: 42.3 mm/1.70 in
uni Retainer Rings: See uni Retainer Ring data sheet

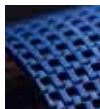
uni 2700 LH/160623



Conveyor Belts



Seamless Belts



Modular Belts



Timing Belts



Transmission Belts



Fabrication & service

Solid advice
For all your belting needs
Local stock & service
www.ammeraalbeltech.com

Ammeraal Beltech Modular A/S
Hjulmagervej 21
DK-7100 Vejle

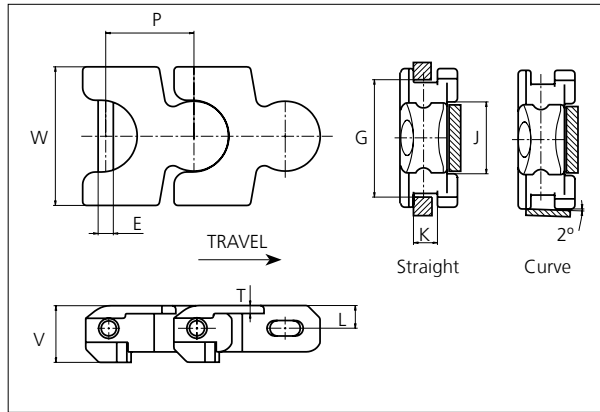
T +45 7572 3100
F +45 7572 3348
admin@unichains.com
www.unichains.com

This information is subject to alteration due to continuous development. Ammeraal Beltech will not be held liable for the incorrect use of the above stated information. This information replaces previous information. All activities performed and services rendered by Ammeraal Beltech are subject to general terms and conditions of sale and delivery, as applied by its operating companies.



uni Flex Plastic Chain

Series **uni 2700** Type **R**



uni Flex Plastic Chain
 Side flexing chain
 Pitch: 70.0 mm (2.76 in)
 Backflex radius:
 200 mm (8.00 in)
 Permissible tensile strength:
 POM material
 11000 N (2473 lbf)
 Standard shipping lengths:
 boxes of 72 links
 = 5.040 m (16.5 ft)

E		G		J		K		L		P		T		V	
mm	in	mm	in	mm	in	mm	in	mm	in	mm	in	mm	in	mm	in
12.0	0.47	92.0	3.64	57.0	2.24	19.0	0.75	18.5	0.71	70.0	2.76	6.3	0.25	45.0	1.77

All dimensions are for chains in POM material.

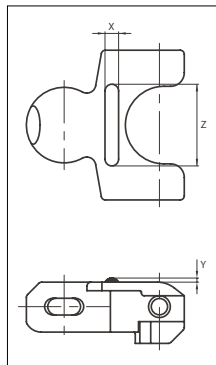
Width (W)		Recommended base material & color	Recommended pin material & color	Weight		Min. radius (R)	
mm	in			kg/m	lb/ft	mm	in
110.0	4.33	POM-D W POM-D G POM-LF BR	SS304	4.4	2.96	250.0	9.84

Non standard material and color: See uni Material and Color Overview.

Non standard pin material: See uni Material and Color Overview.

Accessories

Rubber Top



Link material	Rubber material	Z		X		Y	
		mm	in	mm	in	mm	in
POM-D W	05 I	10.0	0.39	30.0	1.18	3.0	0.12

When ordering, please state the required distance between the Rubber Top.

Other Non Standard rubber profiles:
 See uni Rubber Profile Overview



NON STANDARD

SIDE FLEXING

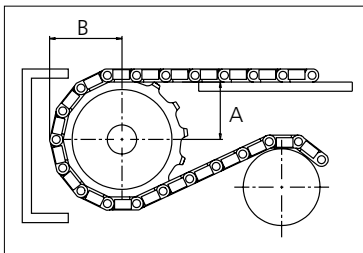
PITCH 70.0 MM/2.76 IN

Sprocket

No of teeth	Pitch diameter		Overall-diameter		Min. ø bore		Max. ø bore		Hub-diameter		Dimension A		Dimension B		 Machined PAG
	mm	in	mm	in	mm	in	mm	in	mm	in	mm	in	mm	in	
Z8	182.8	7.20	184.0	7.2	20.00	0.8	50.00	2.0	73.50	2.9	92.80	3.7	116.70	4.6	✓
Z10	226.4	8.91	227.6	9.0	20.00	0.8	50.00	2.0	73.50	2.9	116.00	4.6	137.60	5.4	✓

Non standard material and color:
See uni Material and Color Overview.

Machined sprocket



Please ensure that sufficient size shaft and keyway are chosen for corresponding load.

Other sprocket sizes are available upon request
Width of tooth: 15.0 mm/0.60 in
Width of sprocket: 42.3 mm/1.70 in
uni Retainer Rings: See uni Retainer Ring data sheet

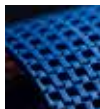
uni 2700 R/160623



Conveyor Belts



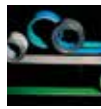
Seamless Belts



Modular Belts



Timing Belts



Transmission Belts



Fabrication & service

Solid advice
For all your belting needs
Local stock & service
www.ammeraalbeltech.com

Ammeraal Beltech Modular A/S
Hjulmagervej 21
DK-7100 Vejle

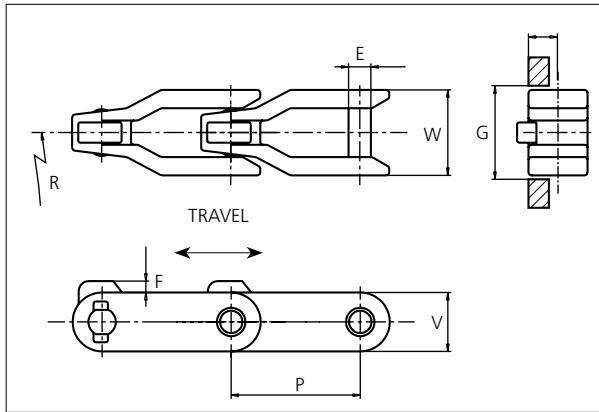
T +45 7572 3100
F +45 7572 3348
admin@unichains.com
www.unichains.com

This information is subject to alteration due to continuous development. Ammeraal Beltech will not be held liable for the incorrect use of the above stated information. This information replaces previous information. All activities performed and services rendered by Ammeraal Beltech are subject to general terms and conditions of sale and delivery, as applied by its operating companies.



uni Flex Plastic Chain

Series **uni 2600** Type **O M**



uni Flex Chains
 Side flexing chain
 Pitch: 63.5 mm (2.50 in)
 Backflex radius:
 75.0 mm (3.00 in)
 Permissible tensile strength:
 POM material:
 6000 N (1349 lbf)

 Standard shipping lengths:
 boxes of 96 links
 = 6.096 m (20.0 ft)

NON STANDARD

E		F		G		P		V		W	
mm	in	mm	in	mm	in	mm	in	mm	in	mm	in
11.0	0.43	5.6	0.22	44.5	1.75	63.5	2.50	28.4	1.12	42.0	1.65

All dimensions are for chains in POM material.

Nominal width (W)		Material & color	Pin material	Weight		Min. radius (R)	
mm	in			kg/m	lb/ft	mm	in
42.0	1.65	POM-D W G B	SS304	1.3	0.87	600	23.62

Non standard material and color: See uni Material and Color Overview.
 Non standard pin material: See uni Material and Color Overview.

SIDE FLEXING

PITCH 63.5 MM/2.50 IN



Sprocket

No of teeth	Pitch diameter		Overall-diameter		Min. ø bore		Max. ø bore		Hub-diameter		Dimension A		Dimension B		LG	Cast iron	SS304
	mm	in	mm	in	mm	in	mm	in	mm	in	mm	in	mm	in	Molded PA6	Molded	Machined
Z6	127.0	5.00	128.0	5.04	20.0	0.79	40.0	1.57	63.0	2.48	40.8	1.61	78.1	3.07	✓	✓	
Z8	165.9	6.53	168.9	6.65	20.0	0.79	50.0	1.97	73.5	2.89	62.5	2.46	97.5	3.84	✓	✓	✓
Z10	205.5	8.09	210.5	8.29	20.0	0.79	50.0	1.97	73.5	2.89	83.5	3.29	117.2	4.61	✓	✓	
Z11	225.4	8.87	231.4	9.11	20.0	0.79	50.0	1.97	73.5	2.89	93.9	3.70	127.1	5.00	✓	✓	

Non standard material and color:
See uni Material and Color Overview.

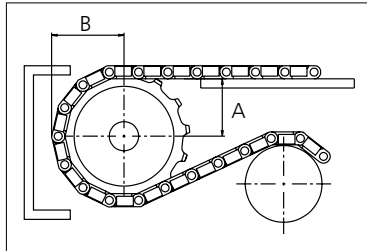
Machined sprocket



Cast iron sprocket



SS304 sprocket



Please ensure that sufficient size shaft and keyway are chosen for corresponding load.

Other sprocket sizes are available upon request.

Width of tooth: 11.0 mm/0.43 in

Width of sprocket: 42.3 mm/1.66 in

uni Retainer Rings: See uni Retainer Ring data sheet.

uni 2600 O/160624



Conveyor Belts



Seamless Belts



Modular Belts



Timing Belts



Transmission Belts



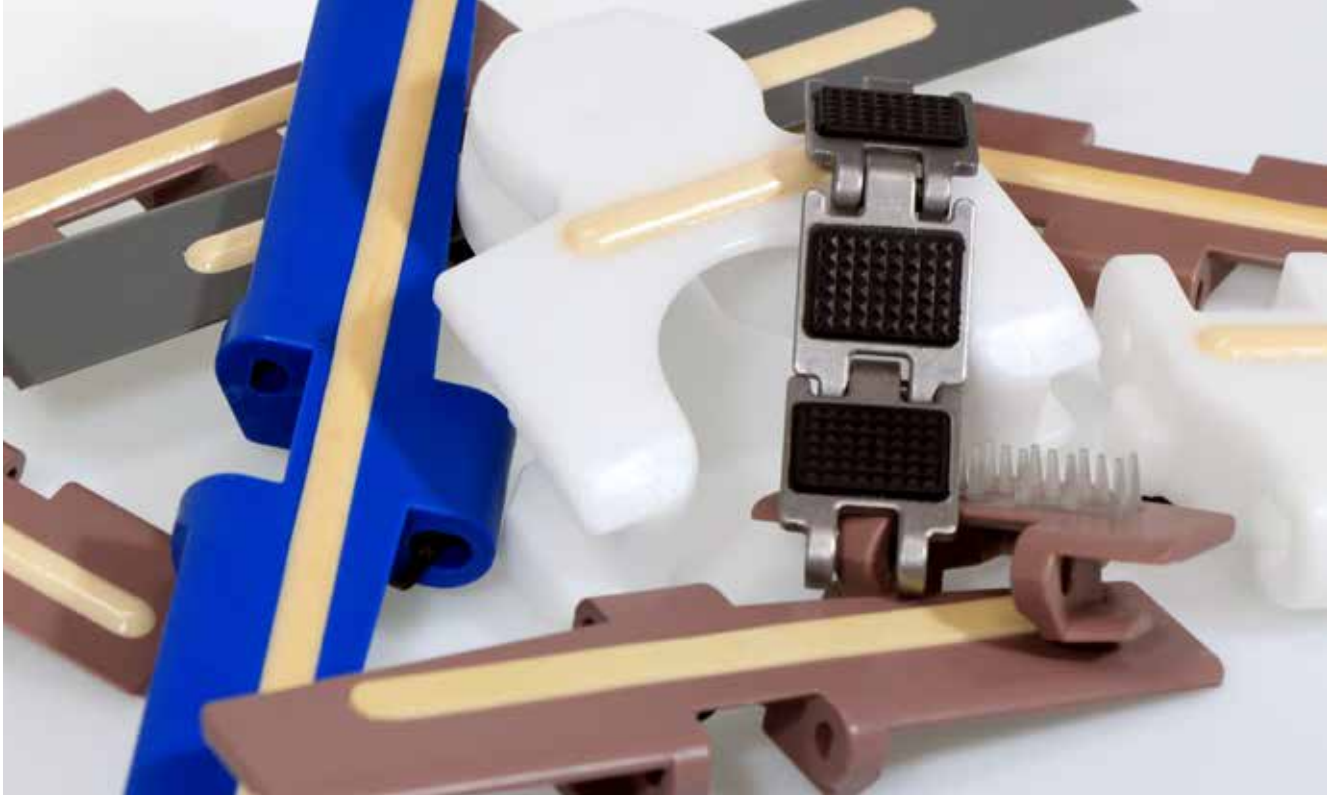
Fabrication & service

Expert advice, quality solutions and local service for all your belting needs
www.ammeraalbeltech.com

Ammeraal Beltech Modular A/S
Hjulmagervej 21
DK-7100 Vejle

T +45 7572 3100
F +45 7572 3348
admin@unichains.com
www.unichains.com

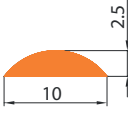
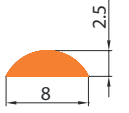
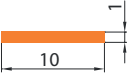
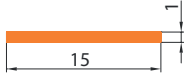
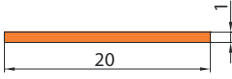
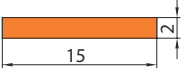
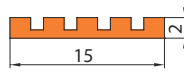
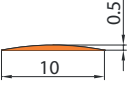
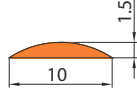
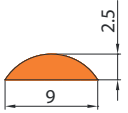
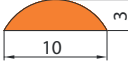
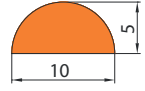
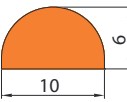
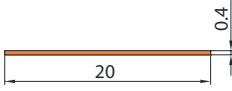
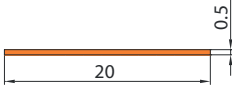
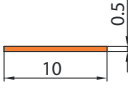
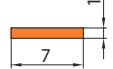

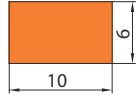
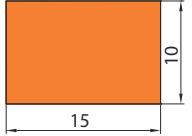
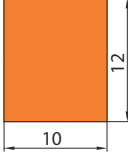
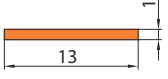
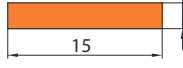
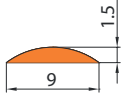
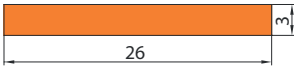
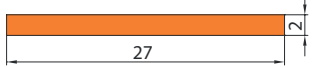
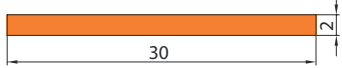
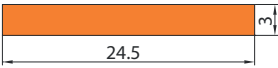
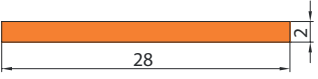
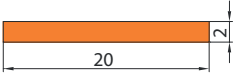
This information is subject to alteration due to continuous development. Ammeraal Beltech will not be held liable for the incorrect use of the above stated information. This information replaces previous information. All activities performed and services rendered by Ammeraal Beltech are subject to general terms and conditions of sale and delivery, as applied by its operating companies.



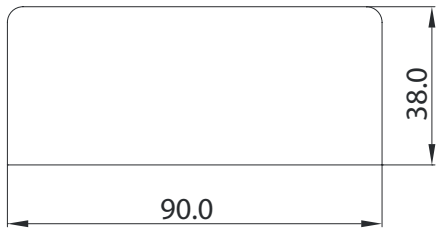
Rubber Profile overview

Inserts, Flights and Brushes for Chains

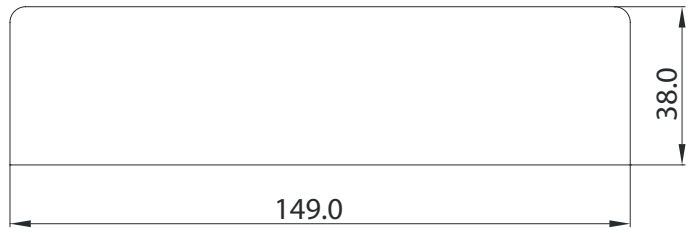
Rubber Inserts for Chains

 <p>Type I1</p>	 <p>Type I2</p>	 <p>Type I3</p>	 <p>Type I4</p>	 <p>Type I5</p>
 <p>Type I6</p>	 <p>Type I7</p>	 <p>Type I8</p>	 <p>Type I9</p>	 <p>Type I10</p>
 <p>Type I11</p>	 <p>Type I12</p>	 <p>Type I13</p>	 <p>Type I14</p>	 <p>Type I15</p>
 <p>Type I16</p>	 <p>Type I17</p>	 <p>Type I18</p>	 <p>Type I19</p>	 <p>Type I20</p>
 <p>Type I21</p>	 <p>Type I22</p>	 <p>Type I23</p>	 <p>Type I24</p>	
 <p>Type I25</p>	 <p>Type I26</p>	 <p>Type I27</p>	 <p>Type I28</p>	
 <p>Type I29</p>	 <p>Type I30</p>			

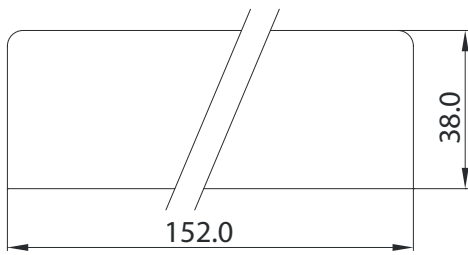
Rubber Flights for Chains



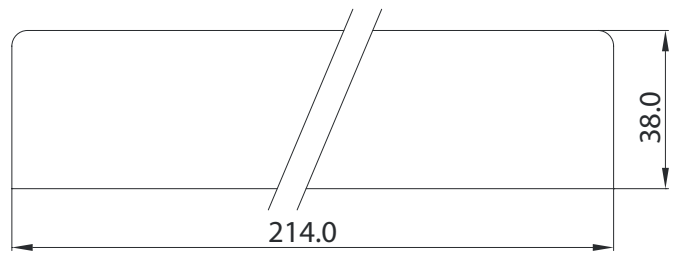
Type P1



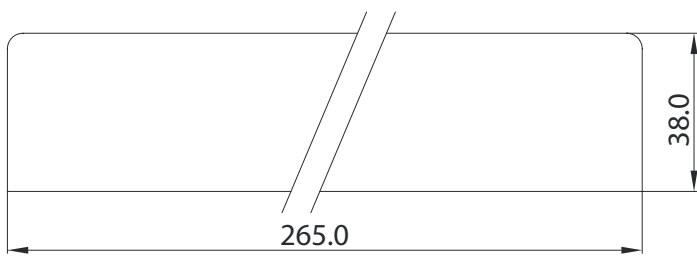
Type P2



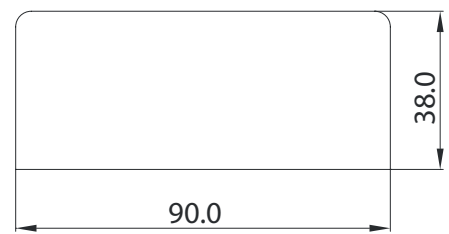
Type P3



Type P4

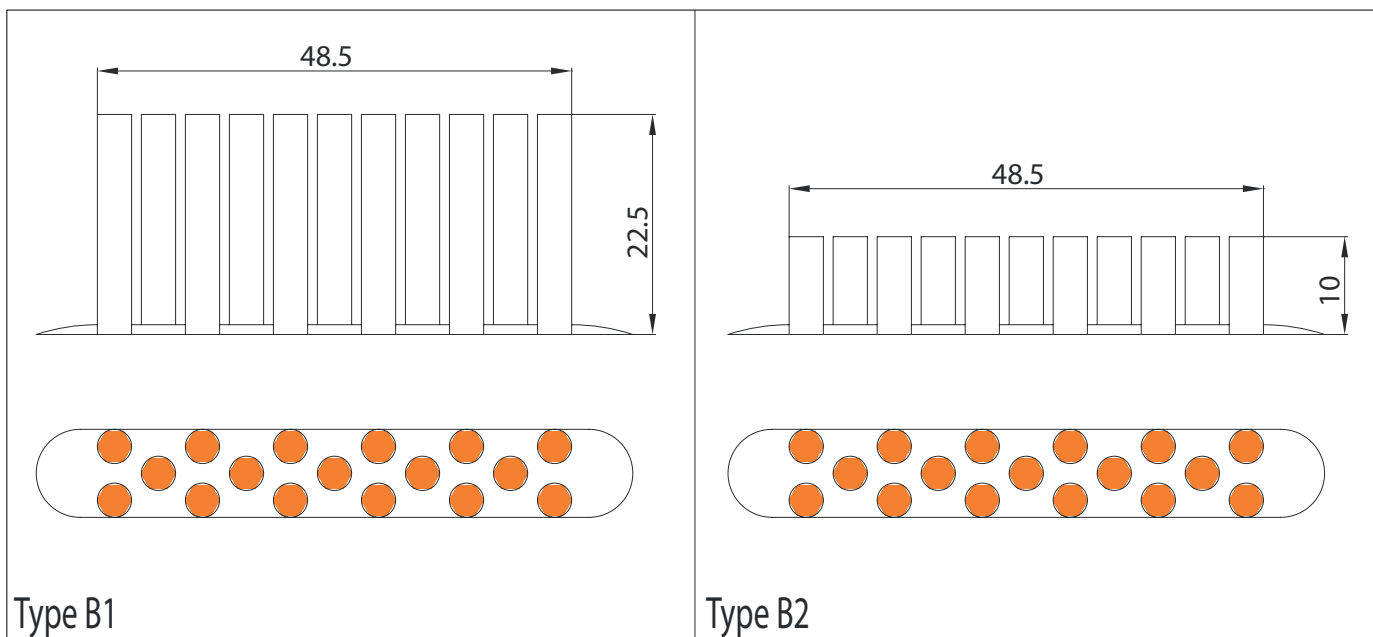


Type P5



Type P6

Rubber Brusch for Chains



In order to find out which specific rubber insert is available for a chain, please see "Rubber Profile overview – Excel" at www.unichains.com



Solid advice
For all your belting needs
Local stock & service
www.ammeraalbeltech.com

This information is subject to alteration due to continuous development. Ammeraal Beltech will not be held liable for the incorrect use of the above stated information. This information replaces previous information. All activities performed and services rendered by Ammeraal Beltech are subject to general terms and conditions of sale and delivery, as applied by its operating companies.