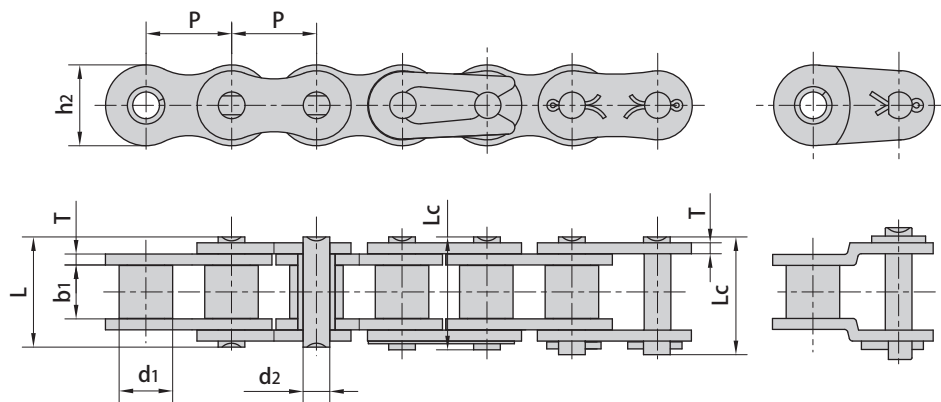


Short pitch precision roller chains (A series)

Simplex roller chains & bush chains

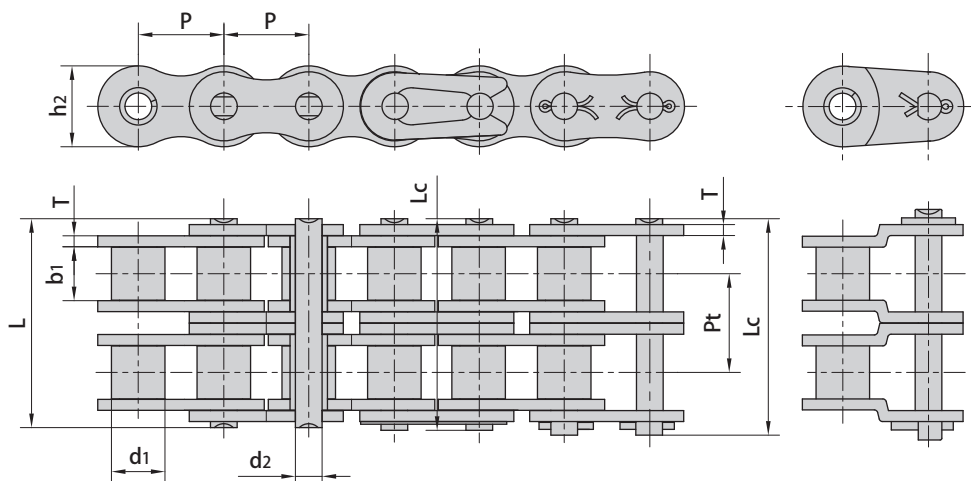


DIN/ISO Chain No.	ANSI Chain No.	Pitch	Roller diameter	Width between inner plates	Pin diameter	Pin length		Inner plate depth	Plate thickness	Ultimate tensile strength	Average tensile strength	Weight per meter
		P	d1 max	b1 min	d2 max	L max	Lc max	h2 max	T max	Q min	Q0	q
		mm	mm	mm	mm	mm	mm	mm	mm	mm	kN/lbf	kN
*03C	*15	4.7625	2.48	2.38	1.62	6.10	6.90	4.30	0.60	1.80/409	2.0	0.08
*04C-1	*25	6.3500	3.30	3.18	2.31	7.90	8.40	6.00	0.80	3.50/795	4.6	0.15
*06C-1	*35	9.5250	5.08	4.77	3.58	12.40	13.17	9.00	1.30	7.90/1795	10.8	0.33
085-1	41	12.7000	7.77	6.25	3.58	13.75	15.00	9.91	1.30	6.67/1516	12.6	0.41
08A-1	40	12.7000	7.95	7.85	3.96	16.60	17.80	12.00	1.50	14.10/3205	17.5	0.62
10A-1	50	15.8750	10.16	9.40	5.08	20.70	22.20	15.09	2.03	22.20/5045	29.4	1.02
12A-1	60	19.0500	11.91	12.57	5.94	25.90	27.70	18.00	2.42	31.80/7227	41.5	1.50
16A-1	80	25.4000	15.88	15.75	7.92	32.70	35.00	24.00	3.25	56.70/12886	69.4	2.60
20A-1	100	31.7500	19.05	18.90	9.53	40.40	44.70	30.00	4.00	88.50/20114	109.2	3.91
24A-1	120	38.1000	22.23	25.22	11.10	50.30	54.30	35.70	4.80	127.00/28864	156.3	5.62
28A-1	140	44.4500	25.40	25.22	12.70	54.40	59.00	41.00	5.60	172.40/39182	212.0	7.50
32A-1	160	50.8000	28.58	31.55	14.27	64.80	69.60	47.80	6.40	226.80/51545	278.9	10.10
36A-1	180	57.1500	35.71	35.48	17.46	72.80	78.60	53.60	7.20	280.20/63682	341.8	13.45
40A-1	200	63.5000	39.68	37.85	19.85	80.30	87.20	60.00	8.00	353.80/80409	431.6	16.15
48A-1	240	76.2000	47.63	47.35	23.81	95.50	103.00	72.39	9.50	510.30/115977	622.5	23.20

*Bush chain: d1 in the table indicates the external diameter of the bush.

Short pitch precision roller chains (A series)

Duplex roller chains & bush chains

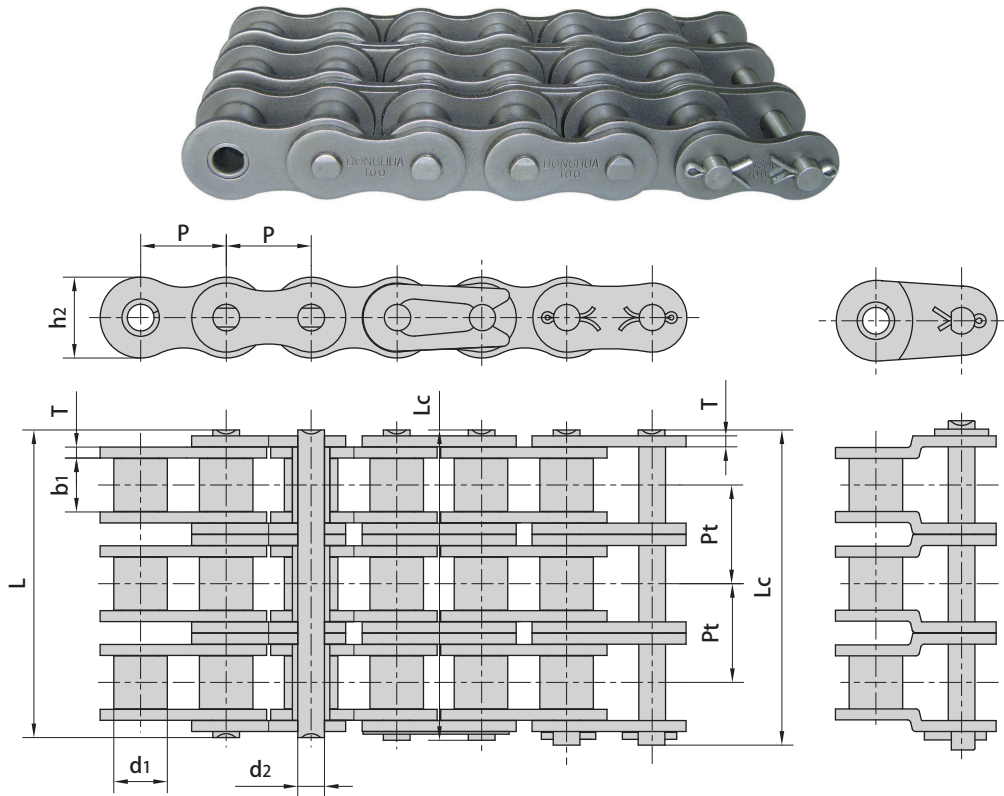


DIN/ISO Chain No.	ANSI Chain No.	Pitch	Roller diameter	Width between inner plates	Pin diameter	Pin length		Inner plate depth	Plate thickness	Transverse pitch	Ultimate tensile strength	Average tensile strength	Weight per meter
		P	d1 max	b1 min	d2 max	L max	Lc max	h2 max	T max	Pt	Q min	Q0	q
		mm	mm	mm	mm	mm	mm	mm	mm	mm	kN/lbf	kN	kg/m
*04C-2	*25-2	6.350	3.30	3.18	2.31	14.5	15.0	6.00	0.80	6.40	7.00/1591	8.6	0.28
*06C-2	*35-2	9.525	5.08	4.77	3.58	22.5	23.3	9.00	1.30	10.13	15.80/3591	19.7	0.63
085-2	41-2	12.700	7.77	6.25	3.58	25.7	26.9	9.91	1.30	11.95	13.34/3032	16.9	0.81
08A-2	40-2	12.700	7.95	7.85	3.96	31.0	32.2	12.00	1.50	14.38	28.20/6409	35.9	1.12
10A-2	50-2	15.875	10.16	9.40	5.08	38.9	40.4	15.09	2.03	18.11	44.40/10091	58.1	2.00
12A-2	60-2	19.050	11.91	12.57	5.94	48.8	50.5	18.00	2.42	22.78	63.60/14455	82.1	2.92
16A-2	80-2	25.400	15.88	15.75	7.92	62.7	64.3	24.00	3.25	29.29	113.40/25773	141.8	5.15
20A-2	100-2	31.750	19.05	18.90	9.53	76.4	80.5	30.00	4.00	35.76	177.00/40227	219.4	7.80
24A-2	120-2	38.100	22.23	25.22	11.10	95.8	99.7	35.70	4.80	45.44	254.00/57727	314.9	11.70
28A-2	140-2	44.450	25.40	25.22	12.70	103.3	107.9	41.00	5.60	48.87	344.80/78364	427.5	15.14
32A-2	160-2	50.800	28.58	31.55	14.27	123.3	128.1	47.80	6.40	58.55	453.60/103091	562.4	20.14
36A-2	180-2	57.150	35.71	35.48	17.46	138.6	144.4	53.60	7.20	65.84	560.50/127386	695.0	29.22
40A-2	200-2	63.500	39.68	37.85	19.85	151.9	158.8	60.00	8.00	71.55	707.60/160818	877.4	32.24
48A-2	240-2	76.200	47.63	47.35	23.81	183.4	190.8	72.39	9.50	87.83	1020.60/213955	1255.3	45.23

*Bush chain: d1 in the table indicates the external diameter of the bush.

Short pitch precision roller chains (A series)

Triplex roller chains & bush chains

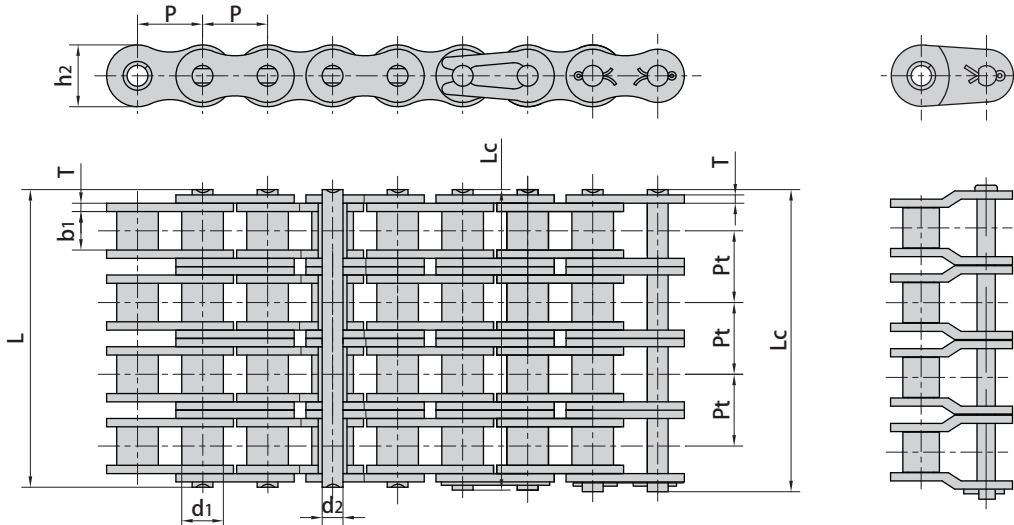


DIN/ISO Chain No.	ANSI Chain No.	Pitch P	Roller diameter d1 max	Width between inner plates		Pin length		Inner plate depth h2 max	Plate thickness T max	Transverse pitch Pt	Ultimate tensile strength Q min	Average tensile strength Q0	Weight per meter q
				b1 min	d2 max	L max	Lc max						
		mm	mm	mm	mm	mm	mm	mm	mm	mm	kN/lbf	kN	kg/m
*04C-3	*25-3	6.350	3.30	3.18	2.31	21.0	21.5	6.00	0.80	6.40	10.5/2386	12.6	0.44
*06C-3	*35-3	9.525	5.08	4.77	3.58	32.7	33.5	9.00	1.30	10.13	23.7/5386	28.6	1.05
08A-3	40-3	12.700	7.95	7.85	3.96	45.4	46.6	12.00	1.50	14.38	42.3/9614	50.0	1.90
10A-3	50-3	15.875	10.16	9.40	5.08	57.0	58.5	15.09	2.03	18.11	66.6/15136	77.8	3.09
12A-3	60-3	19.050	11.91	12.57	5.94	71.5	73.3	18.00	2.42	22.78	95.4/21682	111.1	4.54
16A-3	80-3	25.400	15.88	15.75	7.92	91.7	93.6	24.00	3.25	29.29	170.1/38659	198.4	7.89
20A-3	100-3	31.750	19.05	18.90	9.53	112.2	116.3	30.00	4.00	35.76	265.5/60341	309.6	11.77
24A-3	120-3	38.100	22.23	25.22	11.10	141.4	145.2	35.70	4.80	45.44	381.0/86591	437.2	17.53
28A-3	140-3	44.450	25.40	25.22	12.70	152.2	156.8	41.00	5.60	48.87	517.2/117545	593.3	22.20
32A-3	160-3	50.800	28.58	31.55	14.27	181.8	186.6	47.80	6.40	58.55	680.4/154636	780.6	30.02
36A-3	180-3	57.150	35.71	35.48	17.46	204.4	210.2	53.60	7.20	65.84	840.7/191068	983.6	38.22
40A-3	200-3	63.500	39.68	37.85	19.85	223.5	230.4	60.00	8.00	71.55	1061.4/241227	1217.8	49.03
48A-3	240-3	76.200	47.63	47.35	23.81	271.3	278.6	72.39	9.50	87.83	1530.9/347932	1756.5	71.60

*Bush chain: d1 in the table indicates the external diameter of the bush.

Short pitch precision roller chains (A series)

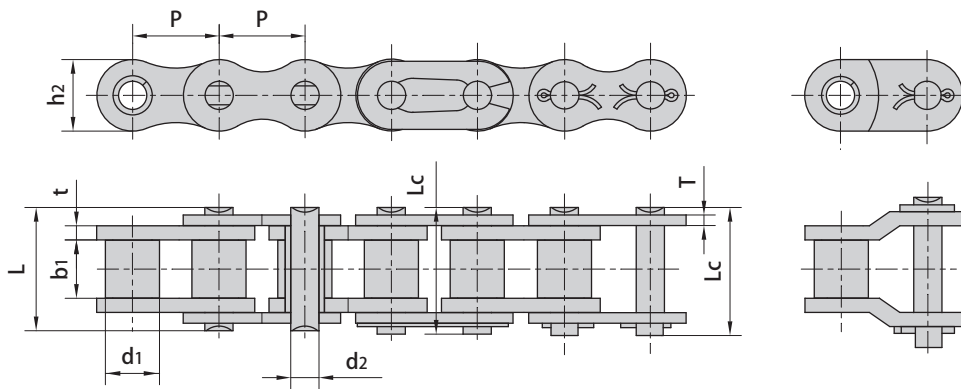
Multiple strand roller chains



Donghua Chain No.	ANSI Chain No.	Pitch	Roller diameter	Width between inner plates	Pin diameter	Pin length		Inner plate depth	Plate thickness	Transverse pitch	Ultimate tensile strength	Average tensile strength	Weight per meter
		p	d1 max	b1 min	d2 max	L max	Lc max	h2 max	T max	Pt	Q min	Q0	q
		mm	mm	mm	mm	mm	mm	mm	mm	mm	kN/lbf	kN	kg/m
08A-4	40-4	12.700	7.95	7.85	3.96	59.8	61.0	12.00	1.50	14.38	56.4/12687	62.04	2.57
10A-4	50-4	15.875	10.16	9.40	5.08	75.1	76.6	15.09	2.03	18.11	88.8/19976	97.68	4.30
12A-4	60-4	19.050	11.91	12.57	5.94	94.4	96.1	18.00	2.42	22.78	127.2/28614	139.92	6.21
16A-4	80-4	25.400	15.88	15.75	7.92	121.0	124.4	24.00	3.25	29.29	226.8/51020	249.48	10.37
20A-4	100-4	31.750	19.05	18.90	9.53	147.8	152.1	30.00	4.00	35.76	354/79635	389.40	15.60
24A-4	120-4	38.100	22.23	25.22	11.10	187.0	190.8	35.70	4.80	45.44	508/114278	558.80	23.56
08A-5	40-5	12.700	7.95	7.85	3.96	74.2	75.4	12.00	1.50	14.38	70.5/15859	77.55	3.19
10A-5	50-5	15.875	10.16	9.40	5.08	93.2	94.7	15.09	2.03	18.11	111/24970	122.10	5.37
12A-5	60-5	19.050	11.91	12.57	5.94	117.0	118.8	18.00	2.42	22.78	159/35768	174.90	7.75
16A-5	80-5	25.400	15.88	15.75	7.92	149.9	153.7	24.00	3.25	29.29	283.5/63775	311.85	12.96
20A-5	100-5	31.750	19.05	18.90	9.53	183.6	187.9	30.00	4.00	35.76	442.5/99543	486.75	19.46
24A-5	120-5	38.100	22.23	25.22	11.10	232.3	236.1	35.70	4.80	45.44	635/142848	698.50	29.40
08A-6	40-6	12.700	7.95	7.85	3.96	88.5	89.8	12.00	1.50	14.38	84.6/19031	93.06	3.83
10A-6	50-6	15.875	10.16	9.40	5.08	111.3	112.8	15.09	2.03	18.11	133.2/29964	146.52	6.43
12A-6	60-6	19.050	11.91	12.57	5.94	139.8	141.8	18.00	2.42	22.78	190.8/42921	209.80	9.31
16A-6	80-6	25.400	15.88	15.75	7.92	179.2	183.0	24.00	3.25	29.29	340.2/76530	374.22	15.50
20A-6	100-6	31.750	19.05	18.90	9.53	219.4	223.7	30.00	4.00	35.76	531/119452	584.10	23.36
24A-6	120-6	38.100	22.23	25.22	11.10	278.0	282.0	35.70	4.80	45.44	762/171417	838.20	35.30
08A-8	40-8	12.700	7.95	7.85	3.96	117.3	118.5	12.00	1.50	14.38	112.8/25375	124.08	5.11
10A-8	50-8	15.875	10.16	9.40	5.08	147.5	149.0	15.09	2.03	18.11	177.6/39952	195.36	8.59
12A-8	60-8	19.050	11.91	12.57	5.94	185.8	187.6	18.00	2.42	22.78	254.4/57229	279.84	12.37
16A-8	80-8	25.400	15.88	15.75	7.92	237.8	241.6	24.00	3.25	29.29	453.6/102040	498.96	20.67
20A-8	100-8	31.750	19.05	18.90	9.53	290.8	295.1	30.00	4.00	35.76	708/159270	778.80	31.14
24A-8	120-8	38.100	22.23	25.22	11.10	368.8	372.8	35.70	4.80	45.44	1016/228557	1176	47.07

Short pitch precision roller chains (B series)

Simplex roller chains

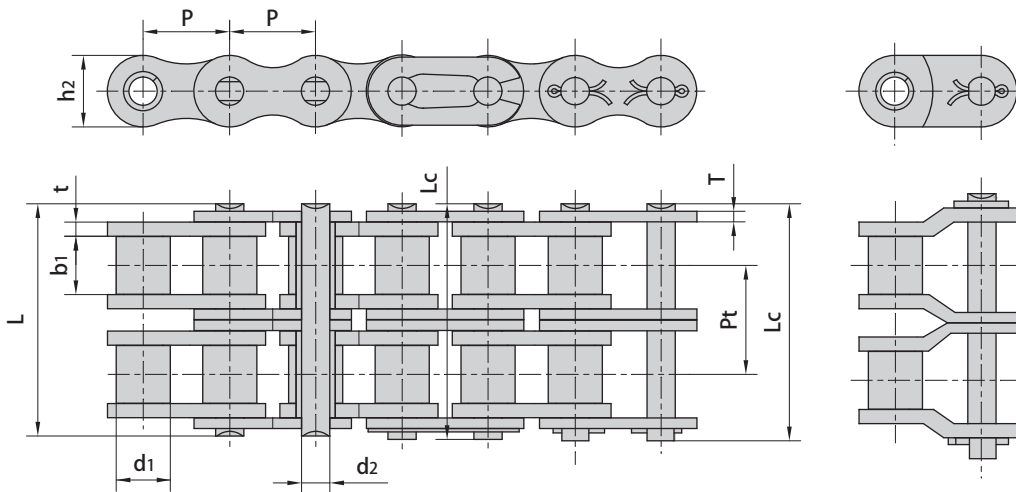


DIN/ISO Chain No.	Pitch	Roller diameter	Width between inner plates	Pin diameter	Pin length		Inner plate depth	Plate thickness	Ultimate tensile strength	Average tensile strength	Weight per meter
	p	d1 max	b1 min	d2 max	L max	Lc max	h2 max	t/T max	Q min	Q0	q
	mm	mm	mm	mm	mm	mm	mm	mm	kN/lbf	kN	kg/m
04B-1	6.000	4.00	2.80	1.85	6.80	7.8	5.00	0.60	3.0/682	3.2	0.11
05B-1	8.000	5.00	3.00	2.31	8.20	8.9	7.10	0.80	5.0/1136	5.9	0.20
*06B-1	9.525	6.35	5.72	3.28	13.15	14.1	8.20	1.30	9.0/2045	10.4	0.41
08B-1	12.700	8.51	7.75	4.45	16.70	18.2	11.80	1.60	18.0/4091	19.4	0.69
10B-1	15.875	10.16	9.65	5.08	19.50	20.9	14.70	1.70	22.4/5091	27.5	0.93
12B-1	19.050	12.07	11.68	5.72	22.50	24.2	16.00	1.85	29.0/6591	32.2	1.15
16B-1	25.400	15.88	17.02	8.28	36.10	37.4	21.00	4.15/3.1	60.0/13636	72.8	2.71
20B-1	31.750	19.05	19.56	10.19	41.30	45.0	26.40	4.50/3.5	95.0/21591	106.7	3.70
24B-1	38.100	25.40	25.40	14.63	53.40	57.8	33.20	6.00/4.8	160.0/36364	178.0	7.10
28B-1	44.450	27.94	30.99	15.90	65.10	69.5	36.70	7.50/6.0	200.0/45455	222.0	8.50
32B-1	50.800	29.21	30.99	17.81	66.00	71.0	42.00	7.00/6.0	250.0/56818	277.5	10.25
40B-1	63.500	39.37	38.10	22.89	82.20	89.2	52.96	8.50/8.0	355.0/80682	394.0	16.35
48B-1	76.200	48.26	45.72	29.24	99.10	107.0	63.80	12.00/10.0	560.0/127272	621.6	25.00
56B-1	88.900	53.98	53.34	34.32	114.6	123.0	77.80	13.50/12.0	850.0/193180	940.0	35.78
64B-1	101.600	63.50	60.96	39.40	130.0	138.5	90.17	15.00/13.0	112.0/254544	1240.0	46.00
72B-1	114.300	72.39	68.58	44.48	147.4	156.4	103.60	17.00/15.0	1400.0/318180	1550.0	60.80

*Straight side plates

Short pitch precision roller chains (B series)

Duplex roller chains

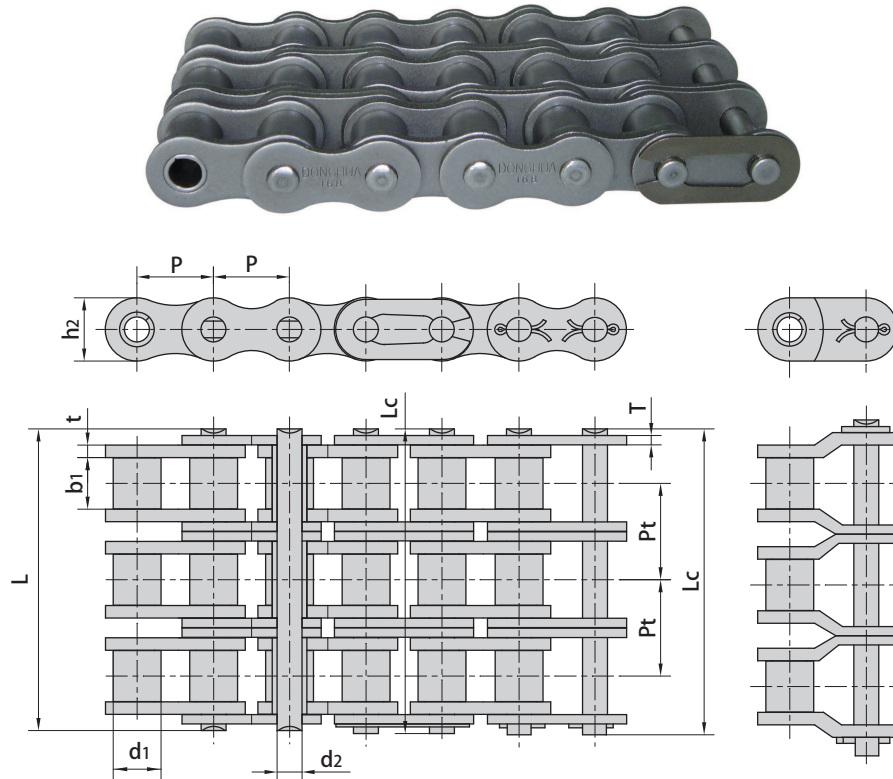


DIN/ISO Chain No.	Pitch	Roller diameter	Width between inner plates	Pin diameter	Pin length		Inner plate depth	Plate thickness	Transverse pitch	Ultimate tensile strength	Average tensile strength	Weight per meter
	p	d1 max	b1 min	d2 max	L max	Lc max	h2 max	t/T max	Pt	Q min	Q0	q
	mm	mm	mm	mm	mm	mm	mm	mm	mm	kN/lbf	kN	kg/m
05B-2	8.000	5.00	3.00	2.31	13.9	14.5	7.10	0.80	5.64	7.8/1773	10.2	0.33
*06B-2	9.525	6.35	5.72	3.28	23.4	24.4	8.20	1.30	10.24	16.9/3841	18.7	0.77
08B-2	12.700	8.51	7.75	4.45	31.0	32.2	11.80	1.60	13.92	32.0/7273	38.7	1.34
10B-2	15.875	10.16	9.65	5.08	36.1	37.5	14.70	1.70	16.59	44.5/10114	56.2	1.84
12B-2	19.050	12.07	11.68	5.72	42.0	43.6	16.00	1.85	19.46	57.8/13136	66.1	2.31
16B-2	25.400	15.88	17.02	8.28	68.0	69.3	21.00	4.15/3.1	31.88	106.0/24091	133.0	5.42
20B-2	31.750	19.05	19.56	10.19	77.8	81.5	26.40	4.50/3.5	36.45	170.0/38636	211.2	7.20
24B-2	38.100	25.40	25.40	14.63	101.7	106.2	33.20	6.00/4.8	48.36	280.0/63636	319.2	13.40
28B-2	44.450	27.94	30.99	15.90	124.6	129.1	36.70	7.50/6.0	59.56	360.0/81818	406.8	16.60
32B-2	50.800	29.21	30.99	17.81	124.6	129.6	42.00	7.00/6.0	58.55	450.0/102273	508.5	21.00
40B-2	63.500	39.37	38.10	22.89	154.5	161.5	52.96	8.50/8.0	72.29	630.0/143182	711.9	32.00
48B-2	76.200	48.26	45.72	29.24	190.4	198.2	63.80	12.00/10.0	91.21	1000.0/227272	1130.0	50.00
56B-2	88.900	53.98	53.34	34.32	221.2	229.6	77.80	13.50/12.0	106.60	1600.0/363635	1760.0	71.48
64B-2	101.600	63.50	60.96	39.40	249.9	258.4	90.17	15.00/13.0	119.89	2000.0/454544	2200.0	91.00
72B-2	114.300	72.39	68.58	44.48	283.7	292.7	103.60	17.00/15.0	136.27	2500.0/568180	2750.0	120.40

*Straight side plates

Short pitch precision roller chains (B series)

Triplex roller chains

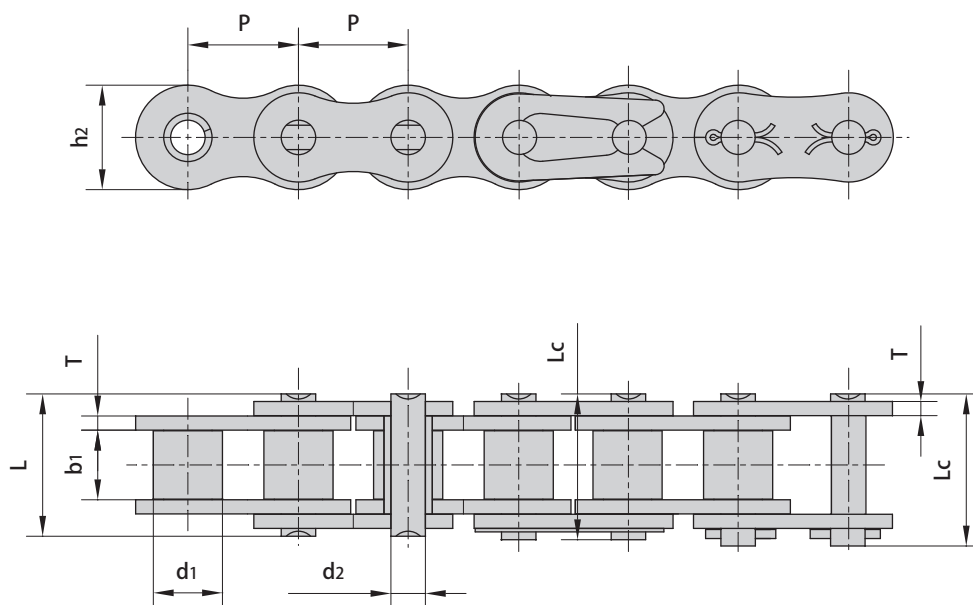


DIN/ISO Chain No.	Pitch	Roller diameter	Width between inner plates	Pin diameter	Pin length		Inner plate depth	Plate thickness	Transverse pitch	Ultimate tensile strength	Average tensile strength	Weight per meter
	P	d1 max	b1 min	d2 max	L max	Lc max	h2 max	t/T max	Pt	Q min	Q0	q
	mm	mm	mm	mm	mm	mm	mm	mm	mm	kN/lbf	kN	kg/m
05B-3	8.000	5.00	3.00	2.31	19.5	20.2	7.10	0.80	5.64	11.1/2523	13.8	0.48
*06B-3	9.525	6.35	5.72	3.28	33.5	34.6	8.20	1.30	10.24	24.9/5659	30.1	1.16
08B-3	12.700	8.51	7.75	4.45	45.1	46.1	11.80	1.60	13.92	47.5/10795	57.8	2.03
10B-3	15.875	10.16	9.65	5.08	52.7	54.1	14.70	1.70	16.59	66.7/15159	84.5	2.77
12B-3	19.050	12.07	11.68	5.72	61.5	63.1	16.00	1.85	19.46	86.7/19705	101.8	3.46
16B-3	25.400	15.88	17.02	8.28	99.8	101.2	21.00	4.15/3.1	31.88	160.0/36364	203.7	8.13
20B-3	31.750	19.05	19.56	10.19	114.2	117.9	26.40	4.50/3.5	36.45	250.0/56818	290.0	10.82
24B-3	38.100	25.40	25.40	14.63	150.1	154.6	33.20	6.00/4.8	48.36	425.0/96591	493.0	20.10
28B-3	44.450	27.94	30.99	15.90	184.2	188.7	36.70	7.50/6.0	59.56	530.0/120454	609.5	24.92
32B-3	50.800	29.21	30.99	17.81	183.2	188.2	42.00	7.00/6.0	58.55	670.0/152273	770.5	31.56
40B-3	63.500	39.37	38.10	22.89	226.8	233.8	52.96	8.50/8.0	72.29	950.0/215909	1092.5	48.10
48B-3	76.200	48.26	45.72	29.24	281.6	289.4	63.80	12.00/10.0	91.21	1500.0/340909	1710.0	75.00
56B-3	88.900	53.98	53.34	34.32	327.8	336.2	77.80	13.50/12.0	106.6	2240.0/545450	2464.0	107.18
64B-3	101.60	63.50	60.96	39.40	369.8	378.3	90.17	15.00/13.0	119.89	3000.0/681820	3300.0	136.00
72B-3	114.30	72.39	68.58	44.48	420.0	429.0	103.60	17.00/15.0	136.27	3750.0/852270	4125.0	180.00

*Straight side plates

Heavy duty series roller chains

Simplex roller chains & bush chains

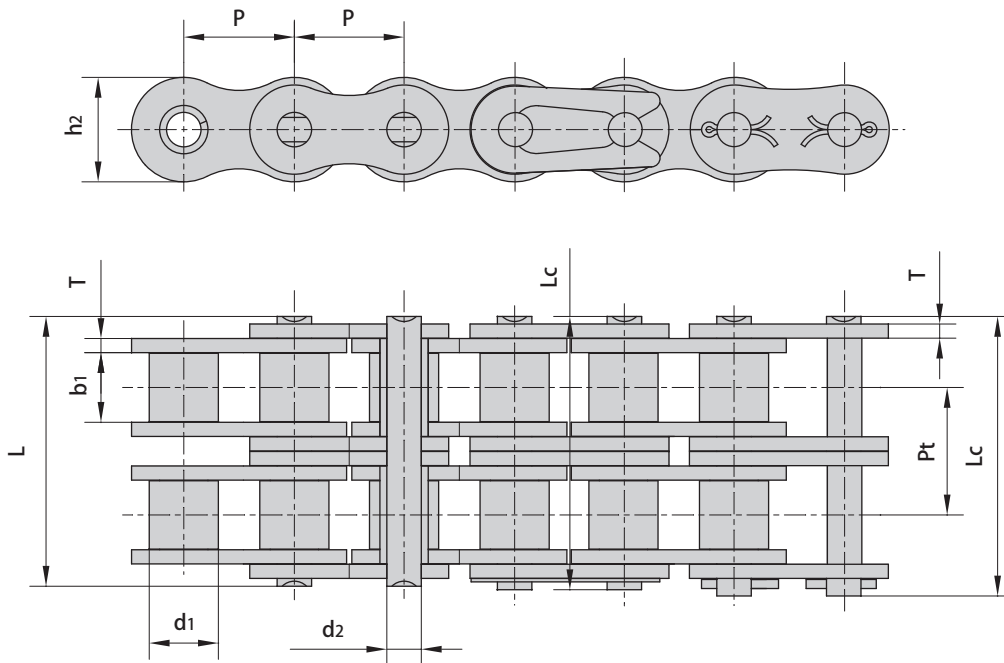


ANSI/ISO Chain No.	Pitch	Roller diameter	Width between inner plates	Pin diameter	Pin length		Inner plate depth	Plate thickness	Ultimate tensile strength	Average tensile strength	Weight per meter
	P	d1 max	b1 min	d2 max	L max	Lc max	h2 max	T max	Q min	Q0	q
	mm	mm	mm	mm	mm	mm	mm	mm	kN/lbf	kN	kg/m
*35H-1	9.525	5.08	4.77	3.58	13.3	14.3	9.00	1.50	7.9/1795	10.8	0.41
40H-1	12.700	7.95	7.85	3.96	18.8	19.9	12.00	2.03	14.1/3205	19.1	0.82
50H-1	15.875	10.16	9.40	5.08	22.1	23.4	15.09	2.42	22.2/5045	30.2	1.25
60H-1	19.050	11.91	12.57	5.94	29.2	31.0	18.00	3.25	31.8/7227	42.7	1.87
80H-1	25.400	15.88	15.75	7.92	36.2	37.7	24.00	4.00	56.7/12886	71.4	3.10
100H-1	31.750	19.05	18.90	9.53	43.6	46.9	30.00	4.80	88.5/20114	112.4	4.52
120H-1	38.100	22.23	25.22	11.10	53.5	57.5	35.70	5.60	127.0/28864	160.9	6.60
140H-1	44.450	25.40	25.22	12.70	57.6	62.2	41.00	6.40	172.4/39182	217.3	8.30
160H-1	50.800	28.58	31.55	14.27	68.2	73.0	47.80	7.20	226.8/51545	285.8	10.30
180H-1	57.150	35.71	35.48	17.46	75.9	81.6	53.60	8.00	281.0/63863	341.8	14.83
200H-1	63.500	39.68	37.85	19.85	86.6	93.5	60.00	9.50	353.8/80409	444.5	19.16
240H-1	76.200	47.63	47.35	23.81	109.6	115.9	72.30	12.70	510.3/115977	622.5	30.40

*Bush chain: d1 in the table indicates the external diameter of the bush

Heavy duty series roller chains

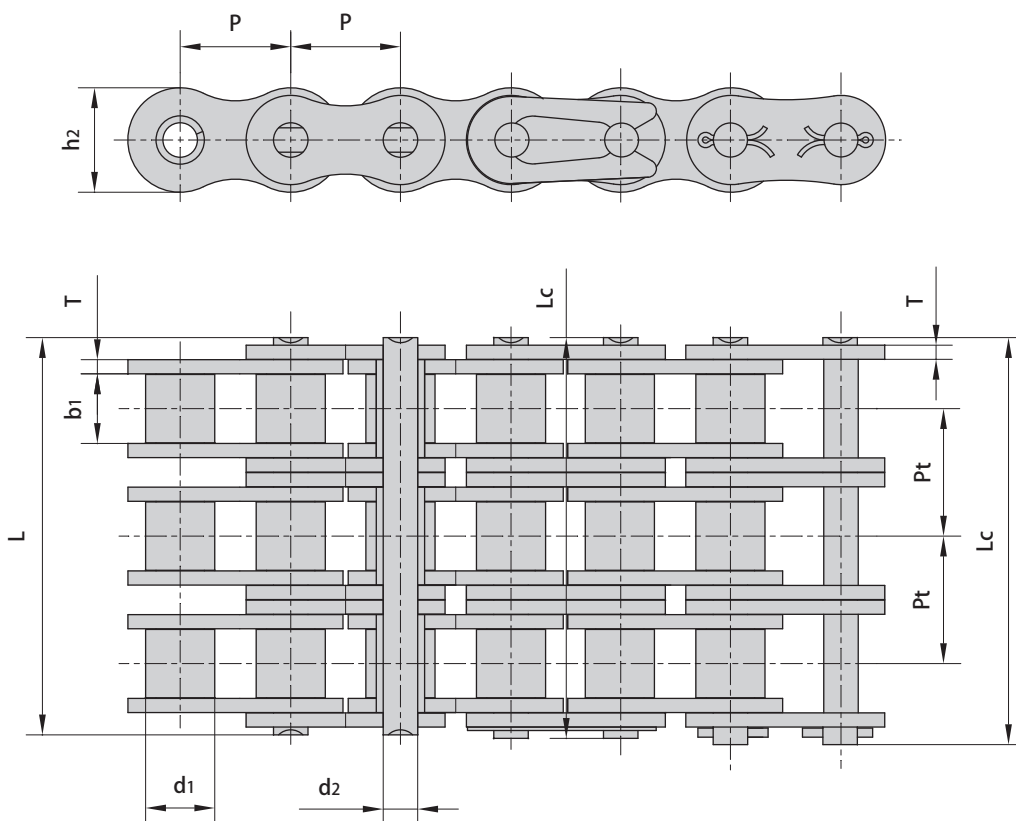
Duplex roller chains



ANSI/ISO Chain No.	Pitch	Roller diameter	Width between inner plates	Pin diameter	Pin length		Inner plate depth	Plate thickness	Transverse pitch	Ultimate tensile strength	Average tensile strength	Weight per meter
	P mm	d_1 max mm	b_1 min mm	d_2 max mm	L max mm	L_c max mm	h_2 max mm	T max mm	P_t mm	Q min kN/lbf	Q ₀ kN	q kg/m
60H-2	19.050	11.91	12.57	5.94	55.3	57.1	18.00	3.25	26.11	63.6/14455	84.5	3.71
80H-2	25.400	15.88	15.75	7.92	68.8	70.3	24.00	4.00	32.59	113.4/25773	145.3	6.15
100H-2	31.750	19.05	18.90	9.53	82.7	86.0	30.00	4.80	39.09	177.0/40227	225.9	9.03
120H-2	38.100	22.23	25.22	11.10	102.4	106.4	35.70	5.60	48.87	254.0/57727	322.7	13.13
140H-2	44.450	25.40	25.22	12.70	109.8	114.4	41.00	6.40	52.20	344.8/78364	437.7	16.60
160H-2	50.800	28.58	31.55	14.27	130.1	134.9	47.80	7.20	61.90	453.6/103091	571.6	20.20
180H-2	57.150	35.71	35.48	17.46	146.5	155.6	53.60	8.00	69.16	562/127726	680.0	29.20
200H-2	63.500	39.68	37.85	19.85	164.9	171.8	60.00	9.50	78.31	707.6/160818	894.9	38.11
240H-2	76.200	47.63	47.35	23.81	212.6	223.1	72.30	12.70	101.22	1000/227270	1200.0	60.50

Heavy duty series roller chains

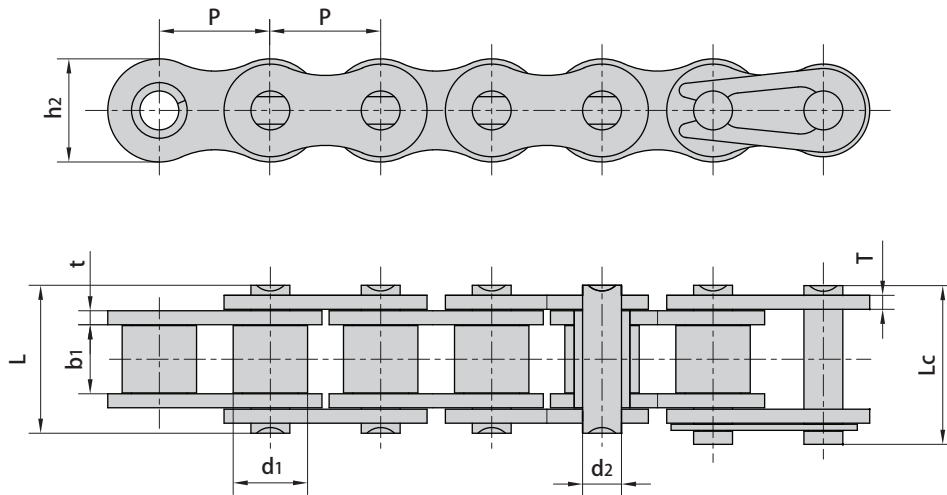
Triplex roller chains



ANSI/ISO Chain No.	Pitch	Roller diameter	Width between inner plates	Pin diameter	Pin length		Inner plate depth	Plate thickness	Transverse pitch	Ultimate tensile strength	Average tensile strength	Weight per meter
	P mm	d ₁ max mm	b ₁ min mm	d ₂ max mm	L max mm	L _c max mm	h ₂ max mm	T max mm	P _t mm	Q min kN/lbf	Q ₀ kN	q kg/m
60H-3	19.050	11.91	12.57	5.94	81.4	83.2	18.00	3.25	26.11	95.4/21682	113.9	5.54
80H-3	25.400	15.88	15.75	7.92	101.4	102.9	24.00	4.00	32.59	170.1/38659	203.5	9.42
100H-3	31.750	19.05	18.90	9.53	121.8	125.1	30.00	4.80	39.09	265.5/60341	314.8	12.96
120H-3	38.100	22.23	25.22	11.10	151.2	155.2	35.70	5.60	48.87	381.0/86591	444.7	19.64
140H-3	44.450	25.40	25.22	12.70	162.0	166.6	41.00	6.40	52.20	517.2/117545	598.4	24.90
160H-3	50.800	28.58	31.55	14.27	192.0	196.8	47.80	7.20	61.90	680.4/154636	787.3	30.10
180H-3	57.150	35.71	35.48	17.46	215.7	224.8	53.60	8.00	69.16	843/191589	1011.0	44.10
200H-3	63.500	39.68	37.85	19.85	243.2	250.1	60.00	9.50	78.31	1061.4/241227	1228.2	57.06
240H-3	76.200	47.63	47.35	23.81	313.8	324.3	72.30	12.70	101.22	1500/340905	1650.0	91.00

Heavy duty series roller chains

Non-standard Heavy duty series roller chains

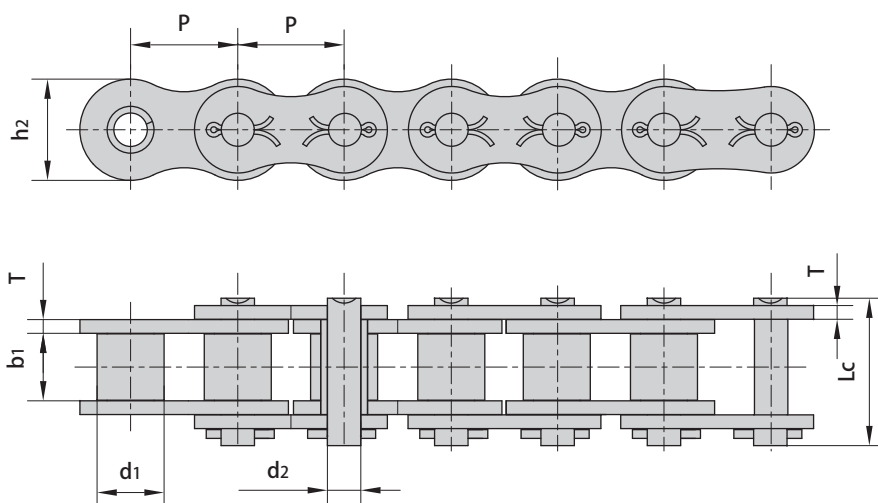


Donghua Chain No.	Pitch	Roller diameter	Width between inner plates	Pin diameter	Pin length		Inner plate depth	Plate thickness	Ultimate tensile strength	Weight per meter
	P	d1 max	b1 min	d2 max	L max	Lc max	h2 max	t/T	Q min	q
	mm	mm	mm	mm	mm	mm	mm	mm	kN/lbf	kg/m
04BH	6.000	4.00	2.80	1.85	8.4	9.4	5.0	0.90	5.00/1136	0.14
*06BH	9.525	6.35	5.72	3.58	14.4	15.4	8.2	1.60	11.25/2557	0.51
08AHF1	12.700	7.95	10.00	3.96	21.0	22.2	12.0	2.03	13.80/3136	0.88
08BH	12.700	8.51	7.85	4.45	18.8	19.9	11.8	2.03	20.60/4682	0.79
10BH	15.875	10.16	9.65	5.08	20.2	21.6	14.7	1.85	25.00/5681	1.03
12BH	19.050	12.07	11.68	5.94	25.2	26.8	16.0	2.42	40.00/9091	1.45
12BHF1	19.050	12.07	11.68	6.10	25.0	27.2	16.5	2.50	44.00/10000	1.46
12BHF2	19.050	12.07	13.30	6.10	28.8	30.3	16.5	2.80	35.00/7954	1.72
12BHF3	19.050	12.07	13.50	5.72	28.8	30.3	16.5	2.80	35.00/7954	1.71
12BV	19.050	12.07	11.68	6.10	24.5	26.5	16.0	2.42	36.00/8182	1.43
60HV	19.050	11.91	12.57	5.94	29.2	31.0	18.0	3.25	40.00/9090	2.00
16BH	25.400	15.88	17.02	8.90	35.7	38.9	24.1	4.00/3.1	80.00/18182	3.11
16BHF3	25.400	15.88	12.70	8.90	31.6	35.0	24.1	4.00/3.1	80.00/18182	2.90
24BH	38.100	25.40	25.40	14.63	58.6	63.4	36.2	7.50/6.0	225.00/51136	9.00
24BHF2	38.100	25.40	25.40	14.63	57.8	62.2	37.0	7.20/6.0	225.40/51226	9.06
24BHF5	38.100	25.40	25.40	14.63	64.6	69.1	36.2	9.00/7.5	270.00/61344	10.60

*Straight side plates

Cottered type short pitch precision roller chains (A series)

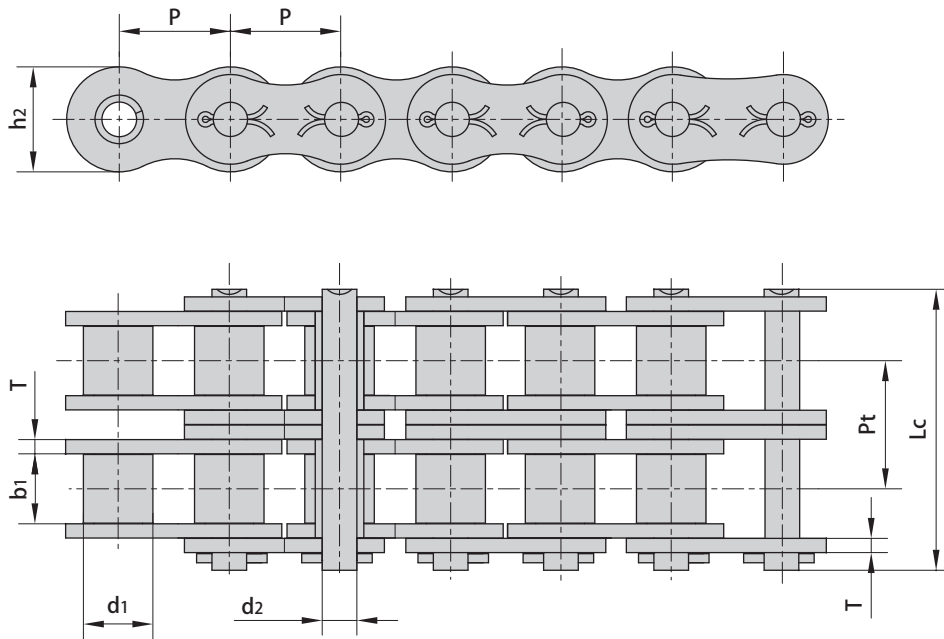
Simplex precision roller chains



DIN/ISO Chain No.	ANSI Chain No.	Pitch	Roller diameter	Width between inner plates	Pin diameter	Pin length	Inner plate depth	Plate thickness	Ultimate tensile strength	Average tensile strength	Weight per meter
		p	d1 max	b1 min	d2 max	Lc max	h2 max	T max	Q min	Q0	q
		mm	mm	mm	mm	mm	mm	mm	kN/lbf	kN	kg/m
10A-1	50-1	15.875	10.16	9.40	5.08	23.3	15.09	2.03	22.2/5045	29.4	1.02
12A-1	60-1	19.050	11.91	12.57	5.94	28.3	18.00	2.42	31.8/7227	41.5	1.50
16A-1	80-1	25.400	15.88	15.75	7.92	36.5	24.00	3.25	56.7/12886	69.4	2.60
20A-1	100-1	31.750	19.05	18.90	9.53	44.7	30.00	4.00	88.5/20114	109.2	3.91
24A-1	120-1	38.100	22.23	25.22	11.10	54.3	35.70	4.80	127.0/28864	156.3	5.62
28A-1	140-1	44.450	25.40	25.22	12.70	59.0	41.00	5.60	172.4/39182	212.0	7.50
32A-1	160-1	50.800	28.58	31.55	14.27	69.6	47.80	6.40	226.8/51545	278.9	10.10
36A-1	180-1	57.150	35.71	35.48	17.46	78.6	53.60	7.20	280.2/63682	341.8	13.45
40A-1	200-1	63.500	39.68	37.85	19.85	87.2	60.00	8.00	353.8/80409	431.6	16.15
48A-1	240-1	76.200	47.63	47.35	23.81	103.0	72.39	9.50	510.3/115977	622.5	23.20

Cottered type short pitch precision roller chains (A series)

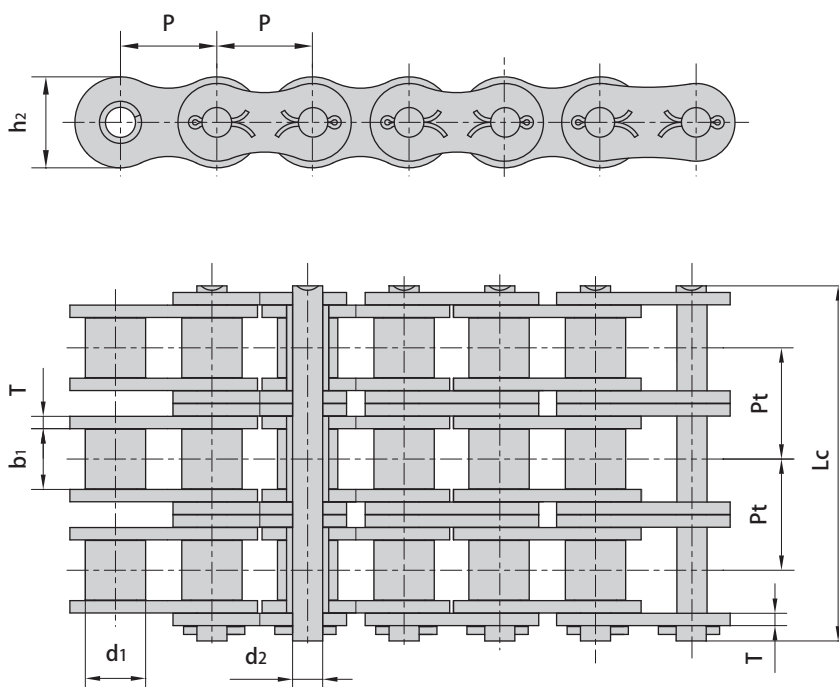
Duplex precision roller chains



DIN/ISO Chain No.	ANSI Chain No.	Pitch	Roller diameter	Width between inner plates	Pin diameter	Pin length	Inner plate depth	Plate thickness	Transverse pitch	Ultimate tensile strength	Average tensile strength	Weight per meter
		P mm	d1 max mm	b1 min mm	d2 max mm	Lc max mm	h2 max mm	T max mm	Pt mm	Q min kN/lbf	Q0 kN	q kg/m
10A-2	50-2	15.875	10.16	9.40	5.08	41.2	15.09	2.03	18.11	44.4/10091	58.1	2.00
12A-2	60-2	19.050	11.91	12.57	5.94	51.1	18.00	2.42	22.78	63.6/14455	82.1	2.92
16A-2	80-2	25.400	15.88	15.75	7.92	65.8	24.00	3.25	29.29	113.4/25773	141.8	5.15
20A-2	100-2	31.750	19.05	18.90	9.53	80.5	30.00	4.00	35.76	177.0/40227	219.4	7.80
24A-2	120-2	38.100	22.23	25.22	11.10	99.7	35.70	4.80	45.44	254.0/57727	314.9	11.70
28A-2	140-2	44.450	25.40	25.22	12.70	107.9	41.00	5.60	48.87	344.8/78364	427.5	15.14
32A-2	160-2	50.800	28.58	31.55	14.27	128.1	47.80	6.40	58.55	453.6/103091	562.4	20.14
36A-2	180-2	57.150	35.71	35.48	17.46	144.4	53.60	7.20	65.84	560.5/127386	695.0	29.22
40A-2	200-2	63.500	39.68	37.85	19.85	158.8	60.00	8.00	71.55	707.6/160818	877.4	32.24
48A-2	240-2	76.200	47.63	47.35	23.81	190.8	72.39	9.50	87.83	1020.6/231955	1255.3	45.23

Cottered type short pitch precision roller chains (A series)

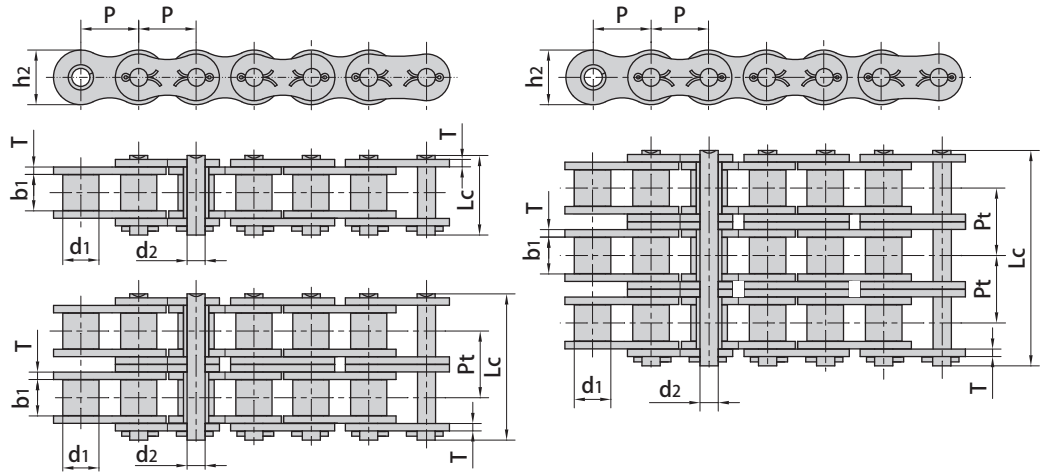
Triplex precision roller chains



DIN/ISO Chain No.	ANSI Chain No.	Pitch	Roller diameter	Width between inner plates	Pin diameter	Pin length	Inner plate depth	Plate thickness	Transverse pitch	Ultimate tensile strength	Average tensile strength	Weight per meter
		P	d1 max	b1 min	d2 max	Lc max	h2 max	T max	Pt	Q min	Q0	q
		mm	mm	mm	mm	mm	mm	mm	mm	kN/lbf	kN	kg/m
10A-3	50-3	15.875	10.16	9.40	5.08	59.3	15.09	2.03	18.11	66.6/15136	77.8	3.09
12A-3	60-3	19.050	11.91	12.57	5.94	73.9	18.00	2.42	22.78	95.4/21682	111.1	4.54
16A-3	80-3	25.400	15.88	15.75	7.92	95.1	24.00	3.25	29.29	170.1/38659	198.4	7.89
20A-3	100-3	31.750	19.05	18.90	9.53	116.3	30.00	4.00	35.76	265.5/60341	309.6	11.77
24A-3	120-3	38.100	22.23	25.22	11.10	145.2	35.70	4.80	45.44	381.0/86591	437.2	17.53
28A-3	140-3	44.450	25.40	25.22	12.70	156.8	41.00	5.60	48.87	517.2/117545	593.3	22.20
32A-3	160-3	50.800	28.58	31.55	14.27	186.6	47.80	6.40	58.55	680.4/154636	780.6	30.02
36A-3	180-3	57.150	35.71	35.48	17.46	210.2	53.60	7.20	65.84	840.7/191068	983.6	38.22
40A-3	200-3	63.500	39.68	37.85	19.85	230.4	60.00	8.00	71.55	1061.4/241227	1217.8	49.03
48A-3	240-3	76.200	47.63	47.35	23.81	278.6	72.39	9.50	87.83	1530.9/347932	1756.5	71.60

Heavy duty series cotted roller chains

Simplex, Duplex & Triplex strands

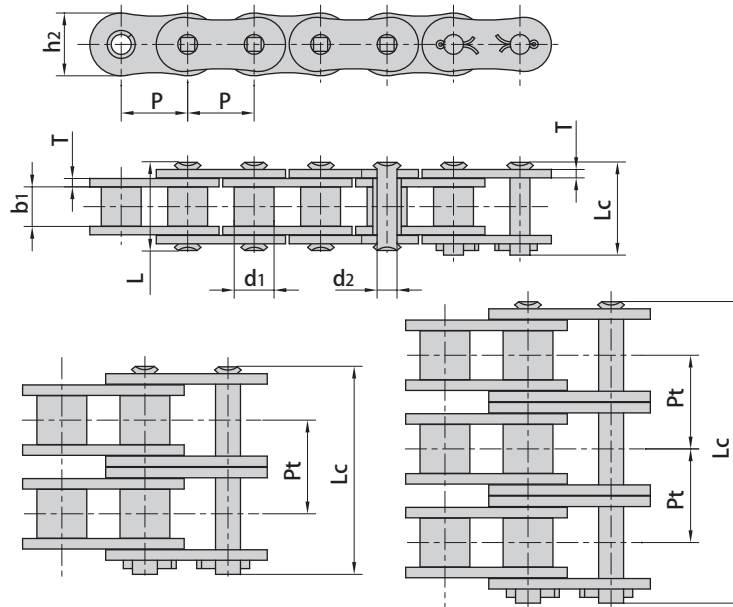


ANSI/ISO Chain No.	Pitch	Roller diameter	Width between inner plates	Pin diameter	Pin length	Inner plate depth	Plate thickness	Transverse pitch	Ultimate tensile strength	Average tensile strength	Weight per meter
	p mm	d1 max mm	b1 min mm	d2 max mm	Lc max mm	h2 max mm	T max mm	Pt mm	Q min kN/lbf	Q0 kN	q kg/m
50H-1	15.875	10.16	9.40	5.08	24.4	15.09	2.42	-	22.2/5045	30.2	1.25
60H-1	19.050	11.91	12.57	5.94	31.6	18.00	3.25	-	31.8/7227	42.7	1.87
80H-1	25.400	15.88	15.75	7.92	39.4	24.00	4.00	-	56.7/12886	71.4	3.10
100H-1	31.750	19.05	18.90	9.53	46.9	30.00	4.80	-	88.5/20114	112.4	4.52
120H-1	38.100	22.23	25.22	11.10	57.5	35.70	5.60	-	127.0/28864	160.9	6.60
140H-1	44.450	25.40	25.22	12.70	62.2	41.00	6.40	-	172.4/39182	217.3	8.30
160H-1	50.800	28.58	31.55	14.27	73.0	47.80	7.20	-	226.8/51545	285.8	10.30
180H-1	57.150	35.71	35.48	17.46	81.6	53.60	8.00	-	281.0/63863	341.8	14.83
200H-1	63.500	39.68	37.85	19.85	93.5	60.00	9.50	-	353.8/80409	444.5	19.16
240H-1	76.200	47.63	47.35	23.81	115.9	72.30	12.70	-	510.3/115977	622.5	30.40
60H-2	19.050	11.91	12.57	5.94	57.7	18.00	3.25	26.11	63.6/14454	84.5	3.71
80H-2	25.400	15.88	15.75	7.92	72.0	24.00	4.00	32.59	113.4/25773	145.3	6.15
100H-2	31.750	19.05	18.90	9.53	86.0	30.00	4.80	39.09	177.0/40227	225.9	9.03
120H-2	38.100	22.23	25.22	11.10	106.4	35.70	5.60	48.87	254.0/57727	322.7	13.13
140H-2	44.450	25.40	25.22	12.70	114.4	41.00	6.40	52.20	344.8/78364	437.7	16.60
160H-2	50.800	28.58	31.55	14.27	134.9	47.80	7.20	61.90	453.6/103091	571.6	20.20
180H-2	57.150	35.71	35.48	17.46	150.8	53.60	8.00	69.16	562.0/127726	680.0	29.20
200H-2	63.500	39.68	37.85	19.85	171.8	60.00	9.50	78.31	707.6/160818	894.9	38.11
240H-2	76.200	47.63	47.35	23.81	217.3	72.30	12.70	101.22	1000.0/227270	1200.0	60.50
60H-3	19.050	11.91	12.57	5.94	83.8	18.00	3.25	26.11	95.4/21682	113.9	5.54
80H-3	25.400	15.88	15.75	7.92	104.6	24.00	4.00	32.59	170.1/38659	203.5	9.42
100H-3	31.750	19.05	18.90	9.53	125.1	30.00	4.80	39.09	265.5/60341	314.8	12.96
120H-3	38.100	22.23	25.22	11.10	155.2	35.70	5.60	48.87	381.0/86591	444.7	19.64
140H-3	44.450	25.40	25.22	12.70	166.6	41.00	6.40	52.20	517.2/117545	598.4	24.90
160H-3	50.800	28.58	31.55	14.27	196.8	47.80	7.20	61.90	680.4/154636	787.3	30.10
180H-3	57.150	35.71	35.48	17.46	220.0	53.60	8.00	69.16	843.0/191589	1011.0	44.10
200H-3	63.500	39.68	37.85	19.85	250.1	60.00	9.50	78.31	1061.4/241227	1228.2	57.06
240H-3	76.200	47.63	47.35	23.81	318.3	72.30	12.70	101.22	1500.0/340905	1650.0	91.00

SP series high strength short pitch roller chains

Simplex, Duplex & Triplex strands

By adopting integrated optimum design of the structural dimensions, parts material and heat treatment process, the ultimate tensile strength of SP series high strength roller chain is 28% more than that of A series standard roller chain. Moreover, it has excellent performances of fatigue strength and impact resistance etc..

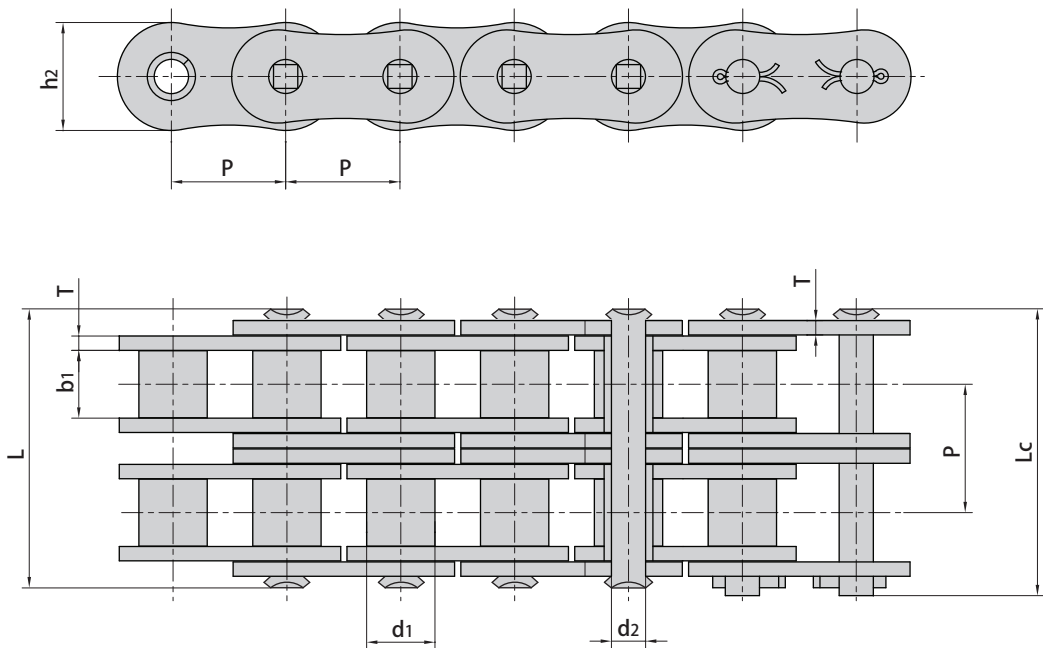


Donghua Chain No.	Pitch	Roller diameter	Width between inner plates	Pin diameter	Pin length		Inner plate depth	Plate thickness	Transverse pitch	Ultimate tensile strength	Average tensile strength	Weight per meter
	P	d1 max	b1 min	d2 max	L max	Lc max	h2 max	T	Pt	Q min	Q0	q
	mm	mm	mm	mm	mm	mm	mm	mm	mm	kN/lbf	kN	kg/m
80SP-1	25.40	15.88	15.75	7.94	32.7	36.5	24.1	3.2	-	77.5/17434	85.3	2.86
100SP-1	31.75	19.05	18.95	9.54	40.4	44.7	30.1	4.0	-	115.5/25982	127.0	4.21
120SP-1	38.10	22.23	25.22	11.11	50.3	54.3	36.2	4.8	-	165.0/37118	186.0	6.36
140SP-1	44.45	25.40	25.22	12.71	54.4	59.0	42.2	5.6	-	222.7/50098	245.0	8.04
160SP-1	50.80	28.58	31.55	14.29	64.8	69.6	48.2	6.4	-	285.5/64215	314.0	10.80
200SP-1	63.50	39.68	37.85	19.85	80.3	87.2	60.3	8.0	-	445.5/100208	490.0	18.00
80SP-2	25.40	15.88	15.75	7.94	62.7	65.8	24.1	3.2	29.29	155.0/34868	170.6	5.68
100SP-2	31.75	19.05	18.95	9.54	76.4	80.5	30.1	4.0	35.76	231.0/51965	255.0	8.34
120SP-2	38.10	22.23	25.22	11.11	95.8	99.7	36.2	4.8	45.44	339.0/76260	373.0	12.63
140SP-2	44.45	25.40	25.22	12.71	103.3	107.9	42.2	5.6	48.87	445.5/100218	490.0	15.92
160SP-2	50.80	28.58	31.55	14.29	123.3	128.1	48.2	6.4	58.55	571.0/128430	628.0	21.43
200SP-2	63.50	39.68	37.85	19.85	151.9	158.8	60.3	8.0	71.55	892.0/200621	981.0	35.00
80SP-3	25.40	15.88	15.75	7.94	91.7	95.1	24.1	3.2	29.29	232.5/52302	255.9	8.18
100SP-3	31.75	19.05	18.95	9.54	112.2	116.3	30.1	4.0	35.76	347.3/78128	382.0	12.47
120SP-3	38.10	22.23	25.22	11.11	141.4	145.2	36.2	4.8	45.44	508.0/114278	559.0	18.90
140SP-3	44.45	25.40	25.22	12.71	152.2	156.8	42.2	5.6	48.87	668.0/150271	735.0	23.84
160SP-3	50.80	28.58	31.55	14.29	181.8	186.6	48.2	6.4	58.55	855.5/192441	941.0	32.10
200SP-3	63.50	39.68	37.85	19.85	223.5	230.4	60.3	8.0	71.55	1336.4/300633	1470.0	52.50

SP series high strength short pitch roller chains

Duplex roller chains

By adopting integrated optimum design of the structural dimensions, parts material and heat treatment process, the ultimate tensile strength of SP series high strength roller chain is 28% more than that of A series standard roller chain. Moreover, it has excellent performances of fatigue strength and impact resistance etc..

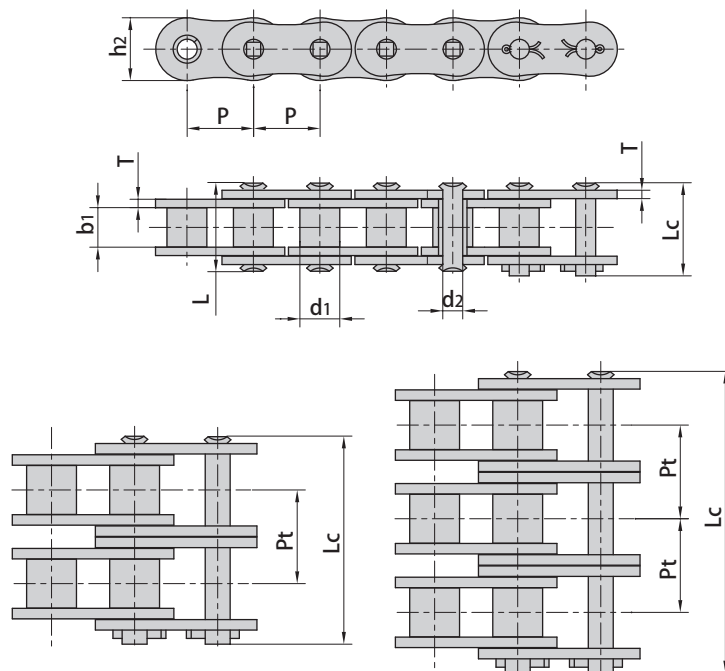


Donghua Chain No.	Pitch	Roller diameter	Width between inner plates	Pin diameter	Pin length		Inner plate depth	Plate thickness	Transverse pitch	Ultimate tensile strength	Average tensile strength	Weight per meter
	P	d1 max	b1 min	d2 max	L max	Lc max	h2 max	T	Pt	Q min	Q0	q
	mm	mm	mm	mm	mm	mm	mm	mm	mm	kN/lbf	kN	kg/m
80SPE-2	25.40	15.88	15.75	7.94	62.7	65.8	24.1	3.2	29.29	155.0/34868	170.6	5.68
100SPE-2	31.75	19.05	18.95	9.54	76.4	80.5	30.1	4.0	35.76	231.0/51965	255.0	8.34
120SPE-2	38.10	22.23	25.22	11.11	95.8	99.7	36.2	4.8	45.44	339.0/76260	373.0	12.63
140SPE-2	44.45	25.40	25.22	12.71	103.3	107.9	42.2	5.6	48.87	445.5/100218	490.0	15.92
160SPE-2	50.80	28.58	31.55	14.29	123.3	128.1	48.2	6.4	58.55	571.0/128430	628.0	21.43
200SPE-2	63.50	39.68	37.85	19.85	151.9	158.8	60.3	8.0	71.55	892.0/200621	981.0	35.00
80HSPE-2	25.40	15.88	15.75	7.94	68.8	72.0	24.1	4.0	32.59	178.4/40132	196.2	6.65
100HSPE-2	31.75	19.05	18.95	9.54	82.7	86.0	30.1	4.8	39.09	263.6/59299	290.0	9.71
120HSPE-2	38.10	22.23	25.22	11.11	102.4	106.4	36.2	5.6	48.87	356.4/80175	392.0	14.12
140HSPE-2	44.45	25.40	25.22	12.71	109.8	114.4	42.2	6.4	52.20	463.6/104300	510.0	17.38
160HSPE-2	50.80	28.58	31.55	14.29	130.1	134.9	48.2	7.2	61.90	588.0/132275	647.0	23.00
200HSPE-2	63.50	39.68	37.85	19.85	164.9	171.8	60.3	9.5	78.31	1091.0/245429	1200.0	38.50

Note: central plates are press fit assembly.

SP series high strength heavy duty short pitch roller chains

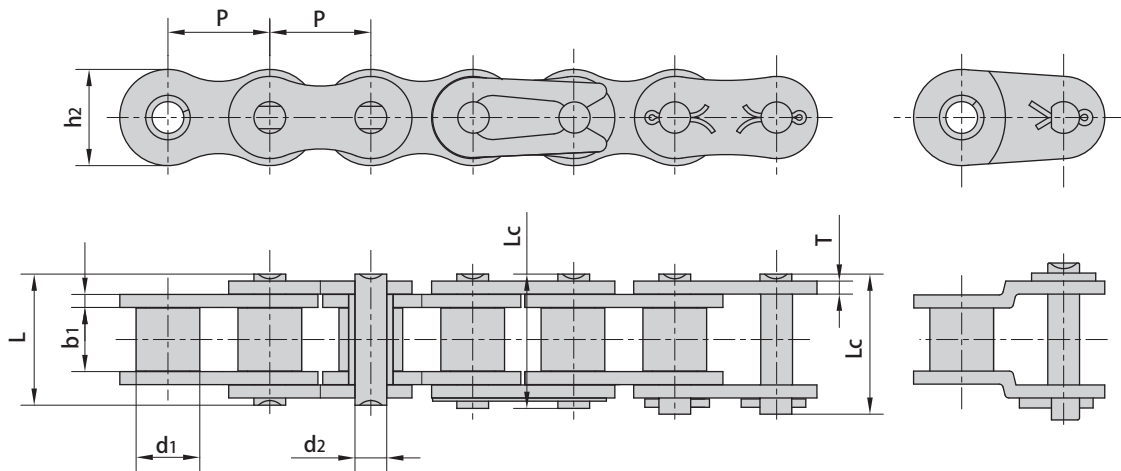
Simplex, Duplex & Triplex strands



Donghua Chain No.	Pitch	Roller diameter	Width between inner plates	Pin diameter	Pin length		Inner plate depth	Plate thickness	Transverse pitch	Ultimate tensile strength	Average tensile strength	Weight per meter
	P	d1 max	b1 min	d2 max	L max	Lc max	h2 max	T	Pt	Q min	Q0	q
	mm	mm	mm	mm	mm	mm	mm	mm	mm	kN/lbf	kN	kg/m
80HSP-1	25.40	15.88	15.75	7.94	36.2	38.9	24.1	4.0	-	89.2/20066	98.1	3.36
100HSP-1	31.75	19.05	18.95	9.54	43.6	46.9	30.1	4.8	-	131.8/29649	145.0	4.90
120HSP-1	38.10	22.23	25.22	11.11	53.5	57.5	36.2	5.6	-	176.0/39592	196.0	7.12
140HSP-1	44.45	25.40	25.22	12.71	57.6	62.2	42.2	6.4	-	231.9/52149	255.0	8.88
160HSP-1	50.80	28.58	31.55	14.29	68.2	73.0	48.2	7.2	-	294.5/66260	324.0	11.72
200HSP-1	63.50	39.68	37.85	19.85	86.6	93.5	60.3	9.5	-	543.6/122295	598.0	19.80
80HSP-2	25.40	15.88	15.75	7.94	68.8	72.0	24.1	4.0	32.59	178.4/40132	196.2	6.65
100HSP-2	31.75	19.05	18.95	9.54	82.7	86.0	30.1	4.8	39.09	263.6/59299	290.0	9.71
120HSP-2	38.10	22.23	25.22	11.11	102.4	106.4	36.2	5.6	48.87	356.4/80175	392.0	14.12
140HSP-2	44.45	25.40	25.22	12.71	109.8	114.4	42.2	6.4	52.20	463.6/104300	510.0	17.38
160HSP-2	50.80	28.58	31.55	14.29	130.1	134.9	48.2	7.2	61.90	588.0/132275	647.0	23.00
200HSP-2	63.50	39.68	37.85	19.85	164.9	171.8	60.3	9.5	78.31	1091.0/245429	1200.0	38.50
80HSP-3	25.40	15.88	15.75	7.94	101.4	104.6	24.1	4.0	32.59	267.6/60200	294.3	9.95
100HSP-3	31.75	19.05	18.95	9.54	121.8	125.1	30.1	4.8	39.09	395.4/88948	435.0	14.53
120HSP-3	38.10	22.23	25.22	11.11	151.2	155.2	36.2	5.6	48.87	534.5/120250	588.0	21.12
140HSP-3	44.45	25.40	25.22	12.71	162.0	166.6	42.2	6.4	52.20	695.5/156448	765.0	25.88
160HSP-3	50.80	28.58	31.55	14.29	192.0	196.8	48.2	7.2	61.90	882.7/198576	971.0	34.22
200HSP-3	63.50	39.68	37.85	19.85	243.2	250.1	60.3	9.5	78.31	1627.3/366073	1790.0	57.29

SH series high strength heavy duty short pitch roller chains

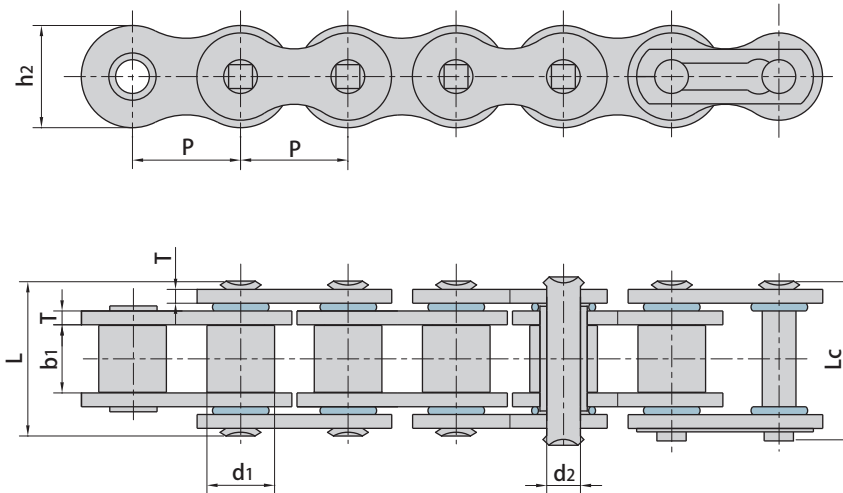
SH series roller chains have a greater ultimate tensile strength (about an additional 25%-35%) over ANSI standard roller chains by using through hardened pins, these chains also provide a greater shock load resistance. The dimensions of the chain are identical to ANSI heavy series standard roller chains.



Donghua Chain No.	Pitch	Roller diameter	Width between inner plates	Pin diameter	Pin length		Inner plate depth	Plate thickness	Ultimate tensile strength	Average tensile strength	Weight per meter
	P	d1 max	b1 min	d2 max	L max	Lc max	h2 max	t/T max	Q min	Q0	q
	mm	mm	mm	mm	mm	mm	mm	mm	kN/lbf	kN	kg/m
*25SH	6.350	3.30	3.18	2.31	9.0	-	6.00	1.04	5.09/1157	5.6	0.11
*35SH	9.525	5.08	4.77	3.58	13.3	14.3	9.00	1.50	11.00/2500	13.6	0.41
40SH	12.700	7.95	7.85	3.96	18.8	19.9	12.00	2.03	22.40/5091	24.8	0.82
50SH	15.875	10.16	9.40	5.08	22.1	23.4	15.09	2.42	30.40/6909	36.2	1.25
60SH	19.050	11.91	12.57	5.94	29.2	31.6	18.00	3.25	44.10/10023	50.4	1.87
80SH	25.400	15.88	15.75	7.92	36.2	37.7	24.00	4.00	88.20/20045	93.0	3.10
100SH	31.750	19.05	18.90	9.53	43.6	46.9	30.00	4.80	116.60/26500	129.1	4.52
120SH	38.100	22.23	25.22	11.10	53.5	57.5	35.70	5.60	158.20/35954	175.3	6.60
140SH	44.450	25.40	25.22	12.70	57.6	62.2	41.00	6.40	206.00/46818	266.5	8.30
160SH	50.800	28.58	31.55	14.27	68.2	73.0	47.80	7.20	274.00/62273	293.0	10.30
200SH	63.500	39.68	37.85	19.85	86.6	93.5	60.00	9.50	506.10/115023	562.3	19.16
#5H63	19.050	14.29	9.55	7.30	27.9	-	19.60	4.15/3.25	65.70/14932	73.0	2.62
#C70SH	22.225	15.60	14.30	7.94	36.6	-	22.60	4.8/4.0	88.25/20056	98.0	3.75
955	28.575	21.30	17.46	11.10	46.8	-	30.60	6.4/5.6	142.10/35635	156.8	7.95

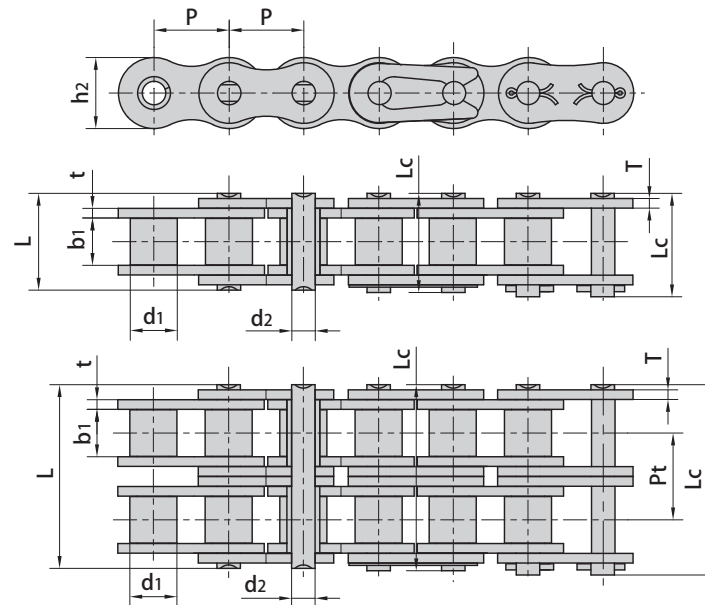
*Bush chain: d1 in the table indicates the external diameter of the bush.
 #Straight side plates

O-Ring chains



Donghua Chain No.	Pitch	Roller diameter	Width between inner plates	Pin diameter	Pin length		Plate depth	Plate thickness	Ultimate tensile strength	Average tensile strength	Weight per meter
	P	d1 max	b1 min	d2 max	L max	Lc max	h2 max	T max	Q min	Qo	q
	mm	mm	mm	mm	mm	mm	mm	mm	kN/lbf	kN	kg/m
40 OR	12.700	7.95	7.85	3.96	18.3	19.6	12.00	1.50	14.1/3205	17.50	0.67
50 OR	15.875	10.16	9.40	5.08	23.1	24.8	15.09	2.03	22.2/5045	29.40	1.19
60 OR	19.050	11.91	12.57	5.94	28.5	30.4	18.00	2.42	31.8/7227	41.50	1.62
60HT OR	19.050	11.91	12.57	5.94	31.7	33.2	18.00	3.25	55/12500	58.00	1.96
80 OR	25.400	15.88	15.75	7.92	35.6	37.3	24.00	3.25	56.7/12886	69.40	2.70
100 OR	31.750	19.05	18.95	9.53	43.3	47.0	30.00	4.00	88.5/20114	109.20	3.91
120 OR	38.100	22.23	25.22	11.11	54.0	57.5	35.70	4.80	127.0/28864	156.30	6.34
08B OR	12.700	8.51	7.75	4.45	18.8	19.9	11.80	1.60	18.0/4091	19.40	0.74

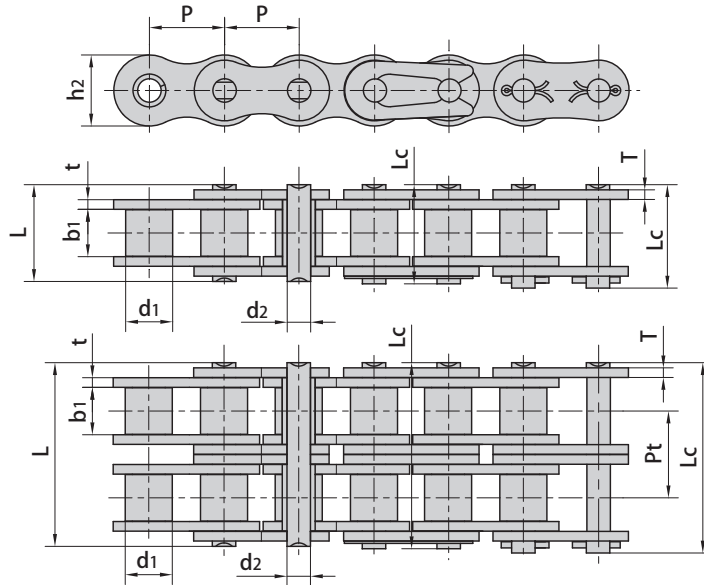
Other roller chains



Donghua Chain No.	Pitch	Roller diameter	Width between inner plates	Pin diameter	Pin length		Inner plate depth	Plate thickness	Transverse pitch	Ultimate tensile strength	Average tensile strength	Weight per meter
	P mm	d1 max mm	b1 min mm	d2 max mm	L max mm	Lc max mm	h2 max mm	t/T max mm	Pt mm	Q min kN/lbf	Q ₀ kN	q kg/m
06BF30-2	9.525	6.35	5.40	3.28	23.7	23.70	9.60	1.60	10.24	16.50/3748	18.15	1.050
A06B-2	9.525	6.35	5.72	3.28	23.4	24.40	8.20	1.30	10.24	16.90/3841	18.70	0.750
205	12.700	8.51	6.40	4.45	15.2	16.30	11.80	1.6/1.3	-	18.00/4049	19.00	0.850
423	12.700	8.51	6.40	4.45	15.6	17.10	12.40	1.70	-	19.60/4455	21.90	0.710
478	12.700	7.80	4.80	4.00	11.6	13.65	10.46	1.25	-	9.80/2227	12.80	0.390
08AKTF1	12.700	7.95	7.85	3.96	16.6	17.80	12.00	1.50	-	8.30/1886	9.13	0.625
08BF	12.700	8.51	5.55	4.45	14.6	16.10	11.80	1.60	-	17.80/4045	19.20	0.660
170GSX	12.700	7.75	6.45	3.96	14.8	16.40	11.50	1.6/1.4	-	17.15/3860	18.50	0.620
415B	12.700	7.75	4.88	4.09	12.9	14.40	10.30	1.30	-	12.00/2727	14.20	0.450
415BF1	12.700	7.75	4.88	4.09	11.5	13.00	10.30	1.00	-	9.00/2045	10.60	0.380
415BF3	12.700	7.75	4.80	4.09	11.6	13.65	10.30	1.20	-	9.80/2227	10.70	0.430
415BF5	12.700	7.75	5.10	4.09	14.4	16.00	9.90	1.8/1.6	-	16.00/3600	16.50	0.460
415BF7	12.700	7.75	4.88	3.58	13.8	15.00	10.30	1.30	-	6.00/1363	10.70	0.400
415F19	12.700	7.77	4.76	3.60	11.0	12.40	9.70	1.00	-	6.86/1559	7.60	0.320
415H	12.700	7.77	4.76	3.96	13.1	14.50	12.00	1.50	-	14.40/3273	16.10	0.550
10AF13	15.875	10.16	16.31	5.08	27.6	29.10	15.09	2.03	-	21.80/4952	23.90	1.350
10AF50	15.875	14.20	19.40	5.08	30.9	32.60	13.00	2.03	-	16.40/3726	18.00	2.140
10BF19	15.875	10.16	6.45	5.08	16.4	18.20	14.70	1.70	-	22.00/5000	24.20	0.890
10BF20	15.875	10.16	6.45	5.08	16.4	18.20	14.70	1.70	-	23.60/5363	25.96	0.860
10BF68	15.875	10.16	9.65	5.08	18.5	19.90	14.70	1.7/1.5	-	22.40/5090	24.64	0.930
#C10BF56-2	15.875	10.16	9.65	5.08	35.8	37.20	13.90	1.70	16.59	44.50/10113	48.95	1.700
515	19.050	12.07	13.50	5.72	28.6	31.30	16.20	3.00	-	30.00/6748	33.00	1.830
12AF86-2	19.050	11.91	12.57	5.94	47.0	49.60	18.00	2.42	20.90	62.30/14158	68.53	3.580

#Straight side plates

Other roller chains

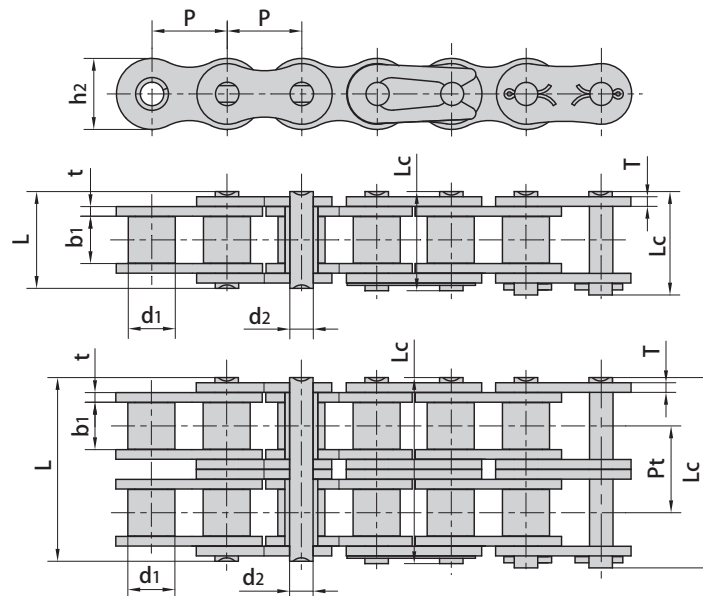


Donghua Chain No.	Pitch	Roller diameter	Width between inner plates	Pin diameter	Pin length		Inner plate depth	Plate thickness	Transverse pitch	Ultimate tensile strength	Average tensile strength	Weight per meter
	P mm	d1 max mm	b1 min mm	d2 max mm	L max mm	Lc max mm	h2 max mm	t/T max mm	Pt mm	Q min kN/lbf	Q0 kN	q kg/m
12BF14	19.050	12.07	30.56	5.72	42.0	43.6	16.00	1.85	-	29.00/6591	32.20	2.13
12BF55-2	19.050	12.07	11.68	5.72	43.2	44.8	16.00	2.42	19.46	57.80/13136	63.58	2.51
12BF58	19.050	12.70	31.40	5.72	43.5	46.2	16.00	2.03	-	29.00/6591	32.20	2.36
14BF1	22.225	14.30	14.60	9.00	36.3	38.0	23.50	4.80/4.0	-	75.00/16871	82.50	3.59
16AF52	25.400	15.88	78.00	7.92	95.6	99.1	24.00	3.25	-	56.70/12882	62.00	6.46
16AF62	25.400	15.88	47.00	7.92	64.3	67.8	24.00	3.25	-	56.70/12882	62.00	4.29
16AF93	25.400	15.88	12.70	7.92	25.0	28.5	20.50	2.03	-	28.00/63616	30.80	1.74
16AF94	25.400	15.88	33.50	7.92	50.5	52.0	24.00	3.25	-	55.60/12636	61.16	3.77
16BF1	25.400	15.88	12.20	8.28	31.4	32.7	21.00	4.15/3.1	-	60.00/13636	71.40	2.51
*16B-BF1	25.400	11.71	17.02	8.28	36.1	39.1	21.00	3.10	-	60.00/13636	66.00	2.33
16BF2	25.400	15.88	17.02	8.28	38.6	39.8	21.00	4.15	-	60.00/13636	71.40	3.08
16BF33	25.400	15.88	12.70	8.28	32.2	35.1	21.00	3.10	-	60.00/13636	66.00	2.54
16BF5	25.400	15.88	12.70	8.28	30.8	32.1	20.00	3.50/3.0	-	50.00/11364	57.50	2.37
16BF92	25.400	15.88	17.02	8.28	36.1	39.1	21.00	4.15/3.1	-	60.00/13636	66.00	2.76
20AF22	31.750	19.05	18.90	9.53	44.7	44.7	30.00	4.00	-	50.00/11360	55.00	3.97
20AF26	31.750	19.05	30.80	9.53	64.0	64.0	30.00	4.00	-	86.70/19704	95.37	5.03
20AF31-5	31.750	19.05	18.90	9.53	183.6	187.9	30.10	4.00	35.76	550.00/124998	605.00	20.20
20AFT-2	31.750	19.05	18.90	9.53	76.4	80.5	30.10	4.00	35.76	211.68/48093	232.00	8.09
20BF14	31.750	19.05	19.56	10.19	45.6	49.3	26.40	5.60/4.5	-	105.00/23856	115.50	4.57
20BF19	31.750	30.00	19.56	10.19	41.3	-	26.40	4.50/3.5	-	95.00/21590	104.50	5.86
*24BF7	38.100	18.42	25.40	14.63	53.4	57.8	33.20	6.00/4.8	-	170.00/38635	187.00	5.80
#C24BF18	38.100	25.40	25.40	14.63	53.4	57.8	33.00	6.00/4.8	-	160.00/36363	176.00	7.49
#C24BF19	38.100	25.40	25.40	14.63	53.4	57.8	35.80	6.00/4.8	-	160.00/36363	176.00	8.05

*Bush chain: d1 in the table indicates the external diameter of the bush.

#Straight side plates

Other roller chains

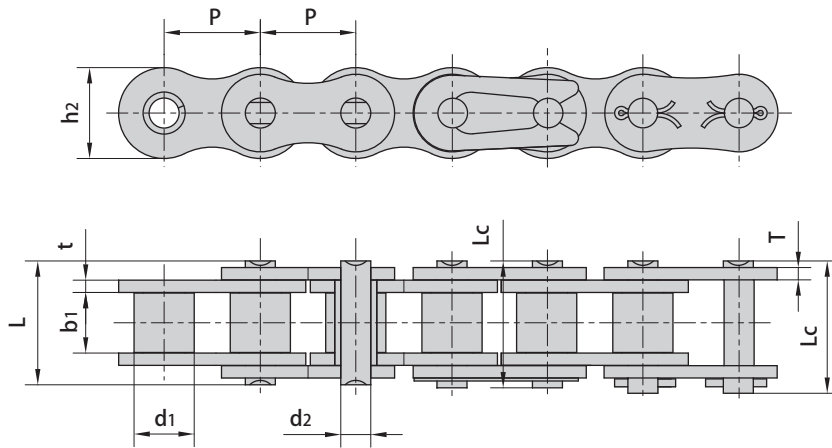


Donghua Chain No.	Pitch	Roller diameter	Width between inner plates	Pin diameter	Pin length		Inner plate depth	Plate thickness	Transverse pitch	Ultimate tensile strength	Average tensile strength	Weight per meter
	P mm	d1 max mm	b1 min mm	d2 max mm	L max mm	Lc max mm	h2 max mm	t/T max mm	Pt mm	Q min kN/lbf	Q0 kN	q kg/m
#C24BF6	38.10	25.40	22.00	12.00	40.0	43.5	35.00	3.00	-	95.0/21590	104.50	5.23
24AF18-2	38.10	22.23	25.20	11.10	97.3	101.2	35.70	4.80	45.44	249.1/56612	274.01	12.00
24AF19	38.10	22.23	25.22	11.10	50.3	-	35.70	1.80	-	95.0/21590	104.50	5.71
24AF5-4	38.10	22.23	19.05	11.10	161.3	165.3	35.70	4.80	39.16	498.2/113225	548.02	21.88
24BF14	38.10	25.40	25.40	14.63	55.8	60.5	33.20	6/4.8	-	160.0/36363	176.00	7.14
24BF20-2	38.10	25.40	25.40	14.63	101.7	106.2	33.20	6/4.8	48.36	280.0/63635	308.00	12.43
24BF23	38.10	25.40	25.40	14.63	53.4	59.3	36.20	6/5.2	-	192.0/43635	211.20	7.92
24BF9	38.10	25.40	25.40	14.63	58.1	62.5	33.20	7.0/6.0	-	180.0/40908	198.00	7.98
#C24BF22	38.10	25.40	25.40	14.63	53.4	57.8	35.00	6.0/4.8	-	160.0/36363	176.00	7.91
28AF1-2	44.45	25.40	25.22	12.70	103.3	112.2	41.00	5.60	48.87	338.1/76816	371.90	15.06
28BF2	44.45	27.94	30.99	15.90	65.1	69.5	41.00	6.0/7.5	-	250.0/56817	275.00	10.17
28BF4	44.45	27.94	30.99	15.90	65.1	70.4	41.00	6.0/7.5	-	240.0/54535	264.00	10.40
32AF2	50.80	32.00	31.75	17.00	64.8	69.6	48.00	6.40	-	200.0/45454	222.50	11.61
32AF33	50.80	28.58	89.75	14.27	123.3	128.1	47.80	6.40	-	222.4/50544	244.64	16.01
32AF9	50.80	28.58	41.55	14.27	86.0	86.0	47.80	6.4/8.8	-	222.4/50544	244.64	11.55
32AT	50.80	28.58	15.88	14.27	36.2	40.8	47.80	3.25	-	111.2/25272	123.60	5.21
32BF23	50.80	32.00	30.00	16.90	66.6	73.0	49.00	7.00	-	300.0/68181	330.00	11.70
32BF26	50.80	29.21	30.99	17.81	68.0	73.0	42.00	7.00	-	250.0/56817	275.00	10.60
32BF30	50.80	29.21	30.99	17.81	68.0	73.0	42.00	6.3/7.65	-	250.0/56817	275.00	10.28
#C32AF36	50.80	28.58	46.77	14.29	63.8	63.8	44.45	6.40	-	200.0/45454	220.00	14.85
#C32BF24-1C	50.80	29.21	30.99	17.81	-	71.0	45.00	6.0/7.0	-	250.0/56817	275.00	11.40
*32BF31-B	50.80	17.81	31.50	22.48	69.5	74.5	42.00	7.0/7.5	-	250.0/56817	275.00	9.30
36AF2	57.15	33.34	35.48	17.46	72.8	78.6	53.60	7.20	-	280.20/63681	308.22	13.17
40BF4-2	63.50	39.37	38.10	22.89	154.5	161.5	52.96	8.5/8.0	72.29	375.0/85226	412.50	31.87

*Bush chain: d1 in the table indicates the external diameter of the bush.

Straight side plates

Corrosion resistant/Zinc-plated chains



Donghua Chain No.	Pitch	Roller diameter	Width between inner plates	Pin diameter	Pin length		Inner plate depth	Plate thickness	Breaking load	Weight per meter
	P	d1 max	b1 min	d2 max	L max	Lc max	h2 max	t/T max	Q	q
	mm	mm	mm	mm	mm	mm	mm	mm	kN/lbf	kg/m
*25ZP	6.350	3.30	3.18	2.31	7.90	8.40	6.00	0.80	3.50/795	0.15
*35ZP	9.525	5.08	4.77	3.58	12.40	13.17	9.00	1.30	7.90/1795	0.33
41ZP	12.700	7.77	6.25	3.58	13.75	15.00	9.91	1.30	6.67/1516	0.41
40ZP	12.700	7.95	7.85	3.96	16.60	17.80	12.00	1.50	14.10/3205	0.62
50ZP	15.875	10.16	9.40	5.08	20.70	22.20	15.09	2.03	22.20/5045	1.02
60ZP	19.050	11.91	12.57	5.94	25.90	27.70	18.00	2.42	31.80/7227	1.50
80ZP	25.400	15.88	15.75	7.92	32.70	35.00	24.00	3.25	56.70/12886	2.60
100ZP	31.750	19.05	18.90	9.53	40.40	44.70	30.00	4.00	88.50/20114	3.91
120ZP	38.100	22.23	25.22	11.10	50.30	54.30	35.70	4.80	127.00/28864	5.62
140ZP	44.450	25.40	25.22	12.70	54.40	59.00	41.00	5.60	172.40/39182	7.50
160ZP	50.800	28.58	31.55	14.27	64.80	69.60	47.80	6.40	226.80/51545	10.10
04BZP	6.000	4.00	2.80	1.85	6.80	7.80	5.00	0.60	3.00/682	0.11
05BZP	8.000	5.00	3.00	2.31	8.20	8.90	7.10	0.80	5.00/1136	0.20
#06BZP	9.525	6.35	5.72	3.28	13.15	14.10	8.20	1.30	9.00/2045	0.41
08BZP	12.700	8.51	7.75	4.45	16.70	18.20	11.80	1.60	18.00/4091	0.69
10BZP	15.875	10.16	9.65	5.08	19.50	20.90	14.70	1.70	22.40/5091	0.93
12BZP	19.050	12.07	11.68	5.72	22.50	24.20	16.00	1.85	29.00/6591	1.15
16BZP	25.400	15.88	17.02	8.28	36.10	37.40	21.00	4.15/3.1	60.00/13636	2.71
20BZP	31.750	19.05	19.56	10.19	41.30	45.00	26.40	4.5/3.5	95.00/21591	3.70
24BZP	38.100	25.40	25.40	14.63	53.40	57.80	33.20	6.0/4.8	160.0/36364	7.10
28BZP	44.450	27.94	30.99	15.90	65.10	69.50	36.70	7.5/6.0	200.0/45455	8.50
32BZP	50.800	29.21	30.99	17.81	66.00	71.00	42.00	7.0/6.0	250.0/56818	10.25

*Bush chain: d1 in the table indicates the external diameter of the bush.

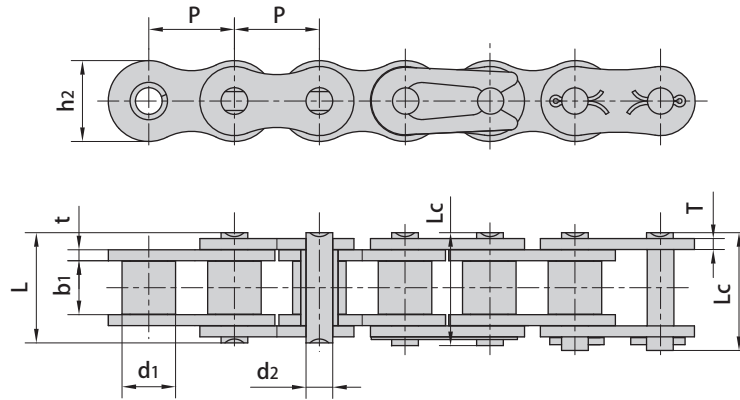
#Straight side plates

Note: Duplex & Triplex zinc plated chains are available in all sizes

Double pitch zinc plated conveyor chains are available upon request

Corrosion resistant/Nickel-plated chains

Nickel-plated chains are suitable for outdoor conditions such as exposure to rain etc..



Donghua Chain No.	Pitch	Roller diameter	Width between inner plates	Pin diameter	Pin length		Inner plate depth	Plate thickness	Breaking load	Weight per meter
	P	d1 max	b1 min	d2 max	L max	Lc max	h2 max	t/T max	Q	q
	mm	mm	mm	mm	mm	mm	mm	mm	kN/lbf	kg/m
*25NP	6.350	3.30	3.18	2.31	7.90	8.40	6.00	0.80	3.50/795	0.15
*35NP	9.525	5.08	4.77	3.58	12.40	13.17	9.00	1.30	7.90/1795	0.33
41NP	12.700	7.77	6.25	3.58	13.75	15.00	9.91	1.30	6.67/1516	0.41
40NP	12.700	7.95	7.85	3.96	16.60	17.80	12.00	1.50	14.10/3205	0.62
50NP	15.875	10.16	9.40	5.08	20.70	22.20	15.09	2.03	22.20/5045	1.02
60NP	19.050	11.91	12.57	5.94	25.90	27.70	18.00	2.42	31.80/7227	1.50
80NP	25.400	15.88	15.75	7.92	32.70	35.00	24.00	3.25	56.70/12886	2.60
100NP	31.750	19.05	18.90	9.53	40.40	44.70	30.00	4.00	88.50/20114	3.91
120NP	38.100	22.23	25.22	11.10	50.30	54.30	35.70	4.80	127.00/28864	5.62
140NP	44.450	25.40	25.22	12.70	54.40	59.00	41.00	5.60	172.40/39182	7.50
160NP	50.800	28.58	31.55	14.27	64.80	69.60	47.80	6.40	226.80/51545	10.10
04BNP	6.000	4.00	2.80	1.85	6.80	7.80	5.00	0.60	3.00/682	0.11
05BNP	8.000	5.00	3.00	2.31	8.20	8.90	7.10	0.80	5.00/1136	0.20
#06BNP	9.525	6.35	5.72	3.28	13.15	14.10	8.20	1.30	9.00/2045	0.41
08BNP	12.700	8.51	7.75	4.45	16.70	18.20	11.80	1.60	18.00/4091	0.69
10BNP	15.875	10.16	9.65	5.08	19.50	20.90	14.70	1.70	22.40/5091	0.93
12BNP	19.050	12.07	11.68	5.72	22.50	24.20	16.00	1.85	29.00/6591	1.15
16BNP	25.400	15.88	17.02	8.28	36.10	37.40	21.00	4.15/3.1	60.00/13636	2.71
20BNP	31.750	19.05	19.56	10.19	41.30	45.00	26.40	4.5/3.5	95.00/21591	3.70
24BNP	38.100	25.40	25.40	14.63	53.40	57.80	33.20	6.0/4.8	160.0/36364	7.10
28BNP	44.450	27.94	30.99	15.90	65.10	69.50	36.70	7.5/6.0	200.00/45455	8.50
32BNP	50.800	29.21	30.99	17.81	66.00	71.00	42.00	7.0/6.0	250.00/56818	10.25

*Bush chain: d1 in the table indicates the external diameter of the bush.

#Straight side plates

Note: Duplex & Triplex nickel plated chains are available in all sizes.

Double pitch nickel plated conveyor chains are available upon request.

CORROSION RESISTANT/DACROMET PLATED CHAINS



standard roller chain



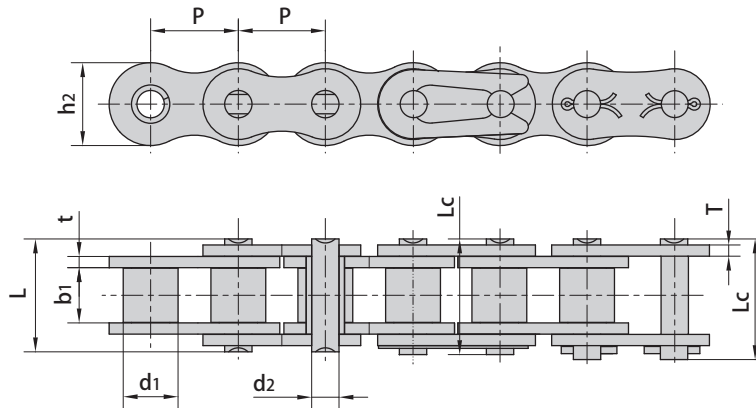
dacromet-plated chain

Surface conditions after corrosion test



Corrosion resistant/Dacromet-plated chains

Dacromet-plated chains are suitable for corrosive conditions.



Donghua Chain No.	Pitch	Roller diameter	Width between inner plates	Pin diameter	Pin length		Inner plate depth	Plate thickness	Breaking load	Weight per meter
	P	d1 max	b1 min	d2 max	L max	Lc max	h2 max	t/T max	Q	q
	mm	mm	mm	mm	mm	mm	mm	mm	kN/lbf	kg/m
*25DR	6.350	3.30	3.18	2.31	7.90	8.40	6.00	0.80	3.50/795	0.15
*35DR	9.525	5.08	4.77	3.58	12.40	13.17	9.00	1.30	7.90/1795	0.33
41DR	12.700	7.77	6.25	3.58	13.75	15.00	9.91	1.30	6.67/1516	0.41
40DR	12.700	7.95	7.85	3.96	16.60	17.80	12.00	1.50	14.10/3205	0.62
50DR	15.875	10.16	9.40	5.08	20.70	22.20	15.09	2.03	22.20/5045	1.02
60DR	19.050	11.91	12.57	5.94	25.90	27.70	18.00	2.42	31.80/7227	1.50
80DR	25.400	15.88	15.75	7.92	32.70	35.00	24.00	3.25	56.70/12886	2.60
100DR	31.750	19.05	18.90	9.53	40.40	44.70	30.00	4.00	88.50/20114	3.91
120DR	38.100	22.23	25.22	11.10	50.30	54.30	35.70	4.80	127.00/28864	5.62
140DR	44.450	25.40	25.22	12.70	54.40	59.00	41.00	5.60	172.40/39182	7.50
160DR	50.800	28.58	31.55	14.27	64.80	69.60	47.80	6.40	226.80/51545	10.10
04BDR	6.000	4.00	2.80	1.85	6.80	7.80	5.00	0.60	3.00/682	0.11
05BDR	8.000	5.00	3.00	2.31	8.20	8.90	7.10	0.80	5.00/1136	0.20
#06BDR	9.525	6.35	5.72	3.28	13.15	14.10	8.20	1.30	9.00/2045	0.41
08BDR	12.700	8.51	7.75	4.45	16.70	18.20	11.80	1.60	18.00/4091	0.69
10BDR	15.875	10.16	9.65	5.08	19.50	20.90	14.70	1.70	22.40/5091	0.93
12BDR	19.050	12.07	11.68	5.72	22.50	24.20	16.00	1.85	29.00/6591	1.15
16BDR	25.400	15.88	17.02	8.28	36.10	37.40	21.00	4.15/3.1	60.00/13636	2.71
20BDR	31.750	19.05	19.56	10.19	41.30	45.00	26.40	4.5/3.5	95.00/21591	3.70
24BDR	38.100	25.40	25.40	14.63	53.40	57.80	33.20	6.0/4.8	160.00/36364	7.10
28BDR	44.450	27.94	30.99	15.90	65.10	69.50	36.70	7.5/6.0	200.00/45455	8.50
32BDR	50.800	29.21	30.99	17.81	66.00	71.00	42.00	7.0/6.0	250.00/56818	10.25

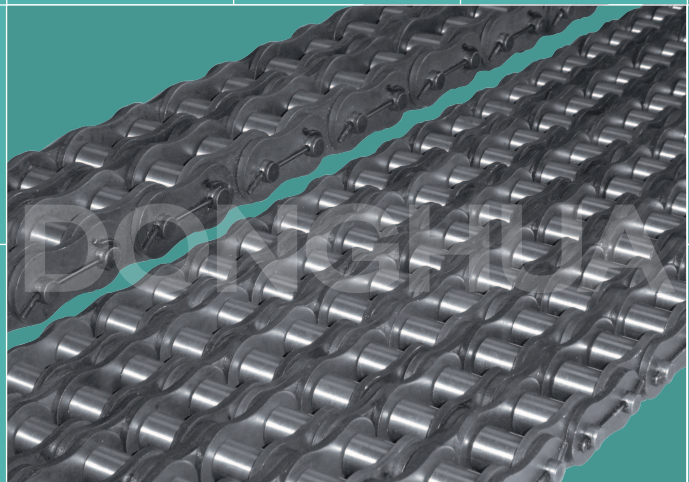
*Bush chain: d1 in the table indicates the external diameter of the bush.

#Straight side plates

Note: Duplex & Triplex dacromet-plated chains are available in all sizes.

Double pitch dacromet-plated conveyor chains are available upon request.

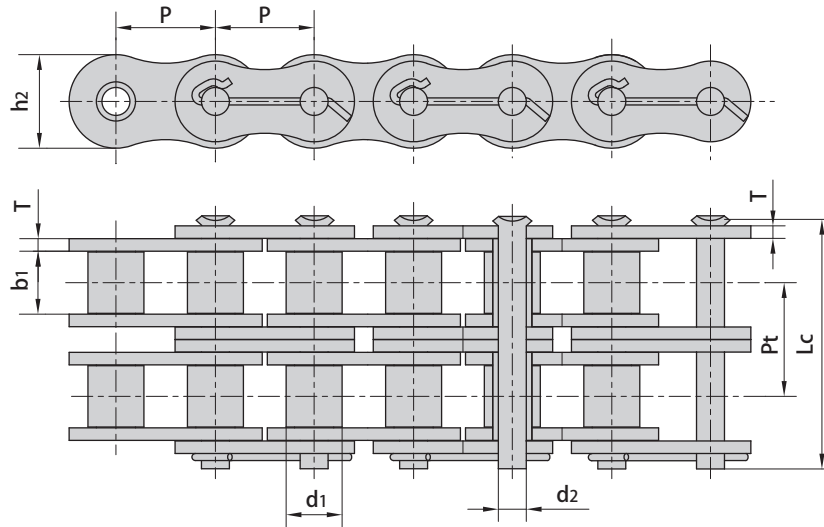
OIL FIELD CHAINS





Oil field chains

Simplex, Duplex & Triplex strands



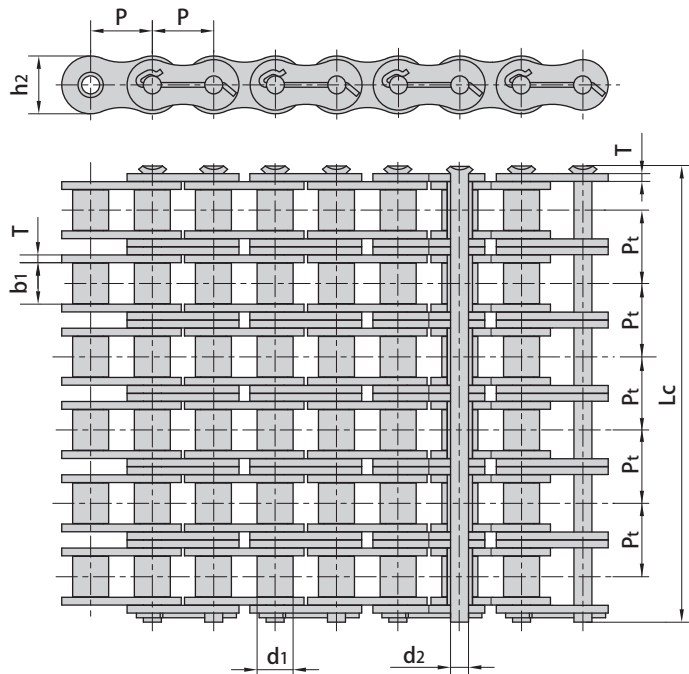
ANSI Chain No.	Donghua Chain No.	Pitch		Roller diameter	Width between inner plates	Pin diameter	Pin length	Inner plate depth	Plate thickness	Transverse pitch	Ultimate tensile strength	Weight per meter
		P										
		mm	inch	d1 max	b1 min	d2 max	Lc max	h2 max	T max	Pt	Q min	q
80	16S-1	25.400	1	15.88	15.75	7.92	37.55	24.1	3.25	-	55.6/12500	2.60
100	20S-1	31.750	1 1/4	19.05	18.90	9.53	44.30	30.0	4.00	-	86.87/19500	3.91
120	24S-1	38.100	1 1/2	22.23	25.22	11.10	54.40	36.2	4.80	-	125.1/28100	5.62
140	28S-1	44.450	1 3/4	25.40	25.22	12.70	59.00	42.2	5.60	-	170.27/38300	7.50
160	32S-1	50.800	2	28.58	31.55	14.27	69.60	48.2	6.40	-	222.4/50000	10.10
180	36S-1	57.150	2 1/4	35.71	35.48	17.46	78.60	54.3	7.20	-	281.47/63300	13.45
200	40S-1	63.500	2 1/2	39.68	37.85	19.85	87.20	60.3	8.00	-	347.5/78100	16.15
80-2	16S-2	25.400	1	15.88	15.75	7.92	66.80	24.1	3.25	29.29	111.2/25000	5.15
100-2	20S-2	31.750	1 1/4	19.05	18.90	9.53	80.50	30.1	4.00	35.76	173.74/39000	7.80
120-2	24S-2	38.100	1 1/2	22.23	25.22	11.10	99.70	36.2	4.80	45.44	250.2/56200	11.70
140-2	28S-2	44.450	1 3/4	25.40	25.22	12.70	107.80	42.2	5.60	48.87	340.54/76600	15.14
160-2	32S-2	50.800	2	28.58	31.55	14.27	127.50	48.2	6.40	58.55	444.8/100000	20.14
180-2	36S-2	57.150	2 1/4	35.71	35.48	17.46	144.40	54.3	7.20	65.84	562.94/126600	29.22
200-2	40S-2	63.500	2 1/2	39.68	37.85	19.85	158.80	60.3	8.00	71.55	695.0/156200	32.24
80-3	16S-3	25.400	1	15.88	15.75	7.92	96.10	24.1	3.25	29.29	166.8/37500	7.89
100-3	20S-3	31.750	1 1/4	19.05	18.90	9.53	116.30	30.1	4.00	35.76	260.61/58500	11.77
120-3	24S-3	38.100	1 1/2	22.23	25.22	11.10	145.20	36.2	4.80	45.44	375.3/84300	17.53
140-3	28S-3	44.450	1 3/4	25.40	25.22	12.70	156.80	42.2	5.60	48.87	510.81/114900	22.20
160-3	32S-3	50.800	2	28.58	31.55	14.27	186.60	48.2	6.40	58.55	667.2/150000	30.02
180-3	36S-3	57.150	2 1/4	35.71	35.48	17.46	210.20	54.3	7.20	65.84	844.41/189900	38.22
200-3	40S-3	63.500	2 1/2	39.68	37.85	19.85	230.40	60.3	8.00	71.55	1042.5/234300	49.03
200H-3	40HS-3	63.500	2 1/2	39.68	37.85	19.85	249.60	60.3	9.50	78.31	1042.5/234300	56.74



API CERTIFIED

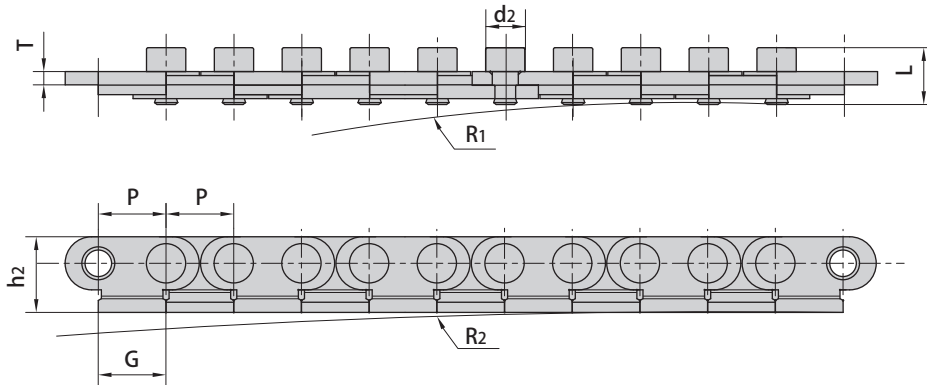
Oil field chains

Multiple strands

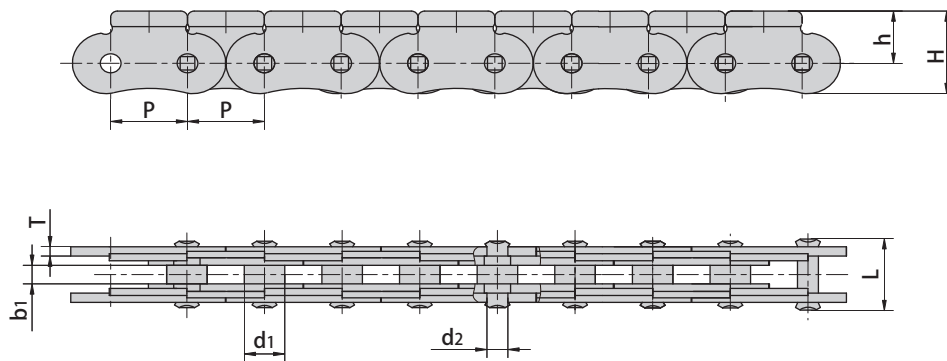


ANSI Chain No.	Donghua Chain No.	Pitch		Roller diameter	Width between inner plates	Pin diameter	Pin length	Inner plate depth	Plate thickness	Transverse pitch	Ultimate tensile strength	Weight per meter
		P		d1	b1	d2	Lc	h2	T	Pt	Q	q
		mm	inch	max mm	min mm	max mm	max mm	max mm	max mm	mm	min kN/lbf	kg/m
80-4	16S-4	25.400	1	15.88	15.75	7.92	122.9	24.1	3.25	29.29	222.4/50000	10.24
100-4	20S-4	31.750	1 1/4	19.05	18.90	9.53	151.5	30.1	4.00	35.76	347.48/78000	15.39
120-4	24S-4	38.100	1 1/2	22.23	25.22	11.10	190.6	36.2	4.80	45.44	500.4/112400	22.19
140-4	28S-4	44.450	1 3/4	25.40	25.22	12.70	205.7	42.2	5.60	48.87	681.08/153200	29.63
160-4	32S-4	50.800	2	28.58	31.55	14.27	245.2	48.2	6.40	58.55	889.6/200000	39.94
200-4	40S-4	63.500	2 1/2	39.68	37.85	19.85	302.0	60.3	8.00	71.55	1390.0/312400	63.60
80-5	16S-5	25.400	1	15.88	15.75	7.92	152.2	24.1	3.25	29.29	278.0/62500	12.79
100-5	20S-5	31.750	1 1/4	19.05	18.90	9.53	187.8	30.1	4.00	35.76	434.35/97500	19.22
120-5	24S-5	38.100	1 1/2	22.23	25.22	11.10	236.1	36.2	4.80	45.44	625.5/140500	27.71
140-5	28S-5	44.450	1 3/4	25.40	25.22	12.70	254.6	42.2	5.60	48.87	851.35/193486	39.20
160-5	32S-5	50.800	2	28.58	31.75	14.27	303.3	48.2	6.40	58.55	1112.0/252724	52.40
80-6	16S-6	25.400	1	15.88	15.75	7.92	181.5	24.1	3.25	29.29	333.6/75000	15.34
100-6	20S-6	31.750	1 1/4	19.05	18.90	9.53	223.6	30.1	4.00	35.76	521.22/117000	23.05
120-6	24S-6	38.100	1 1/2	22.23	25.22	11.10	281.6	36.2	4.80	45.44	750.6/168600	33.24
140-6	28S-6	44.450	1 3/4	25.40	25.22	12.70	303.4	42.2	5.60	48.87	1021.62/229800	44.38
160-6	32S-6	50.800	2	28.58	31.55	14.27	362.3	48.2	6.40	58.55	1334.4/300000	59.83
200-6	40S-6	63.500	2 1/2	39.68	37.85	19.85	445.0	60.3	8.00	71.55	2085.0/468600	95.23
80-8	16S-8	25.400	1	15.88	15.75	7.92	240.1	24.1	3.25	29.29	444.8/100000	20.44
100-8	20S-8	31.750	1 1/4	19.05	18.90	9.53	295.1	30.1	4.00	35.76	694.96/156000	30.71
120-8	24S-8	38.100	1 1/2	22.23	25.22	11.10	372.4	36.2	4.80	45.44	1000.8/224800	44.28
140-8	28S-8	44.450	1 3/4	25.40	25.22	12.70	401.1	42.2	5.60	48.87	1362.16/309578	62.21

Anti-sidebow chains for pushing window

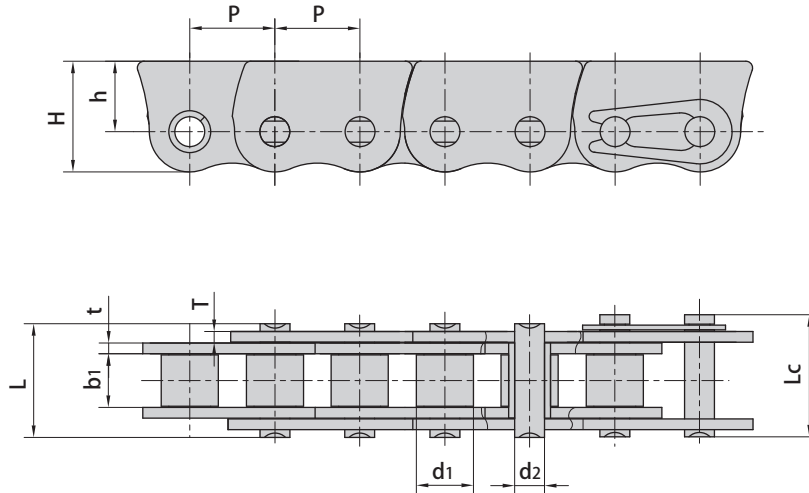


Donghua Chain No.	Pitch	Pin diameter	Pin length	Plate dimension			Side bow radius		Weight per meter
	P	d2 max	L	h2 max	G max	T max	R1	R2	q
	mm	mm	mm	mm	mm	mm	mm	mm	kg/m
P12.75SB	12.75	7.4	10.65	14.25	12.8	2.5	500~800	1000	0.69
P12.75SBF1	12.75	7.4	11.00	14.25	12.8	2.5	500~800	1000	1.08



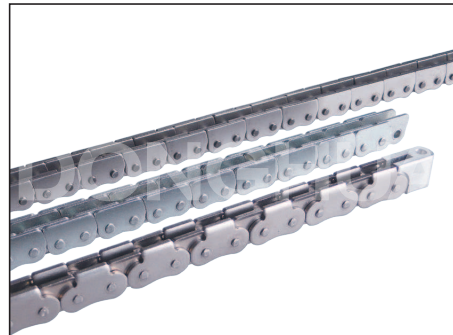
Donghua Chain No.	Pitch	Roller diameter	Width between inner plates	Pin diameter	Pin length	Plate dimension			Ultimate tensile strength
	P	d1 max	b1	d2 max	L max	H max	h	T	Q min
	mm	mm	mm	mm	mm	mm	mm	mm	kN
P11.5SS	11.5	6.00	3.00	3.00	10.8	13.5	8.5	1.5/1.5	5.5

Anti-sidebow chains for pushing window

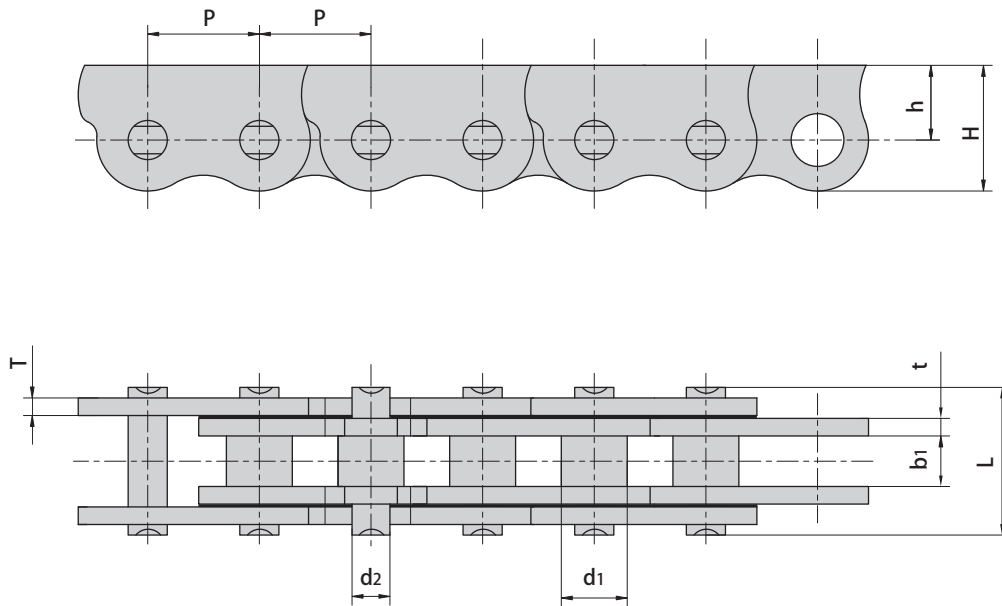


Donghua Chain No.	Pitch	Roller diameter	Width between inner plates	Pin diameter	Pin length		Plate dimension			Ultimate tensile strength	Weight per meter
	P	d1 max	b1 min	d2 max	L max	Lc max	H max	h	t/T max	Q min	q
	mm	mm	mm	mm	mm	mm	mm	mm	mm	kN	kg/m
06BF33SS	9.525	6.35	5.72	3.28	13.15	14.1	12.38	7.88	1.30	6.2	0.63
06BF34	9.525	6.35	3.80	3.28	10.00	-	12.38	7.88	1.04	7.0	0.47
*06CF22	9.525	5.08	4.77	3.58	11.60	-	12.86	8.38	1.30	7.9	0.51
08BF6	12.700	7.95	7.85	3.96	16.60	17.8	17.00	11.00	1.50	13.8	0.91
415BF4	12.700	7.75	4.88	4.09	16.40	17.8	17.00	11.00	1.3/3.1	12.0	1.07
08BSSF20	12.700	8.51	7.75	4.45	16.70	18.2	16.50	10.50	1.60	12.0	1.06
08BSSF74	12.700	8.51	7.75	4.45	18.80	-	15.50	9.70	1.85	13.0	1.19
P12.7F4	12.700	7.50	5.50	4.45	15.60	-	14.30	8.50	2.03	15.0	0.99

*Bush chain: d1 in the table indicates the external diameter of the bush.

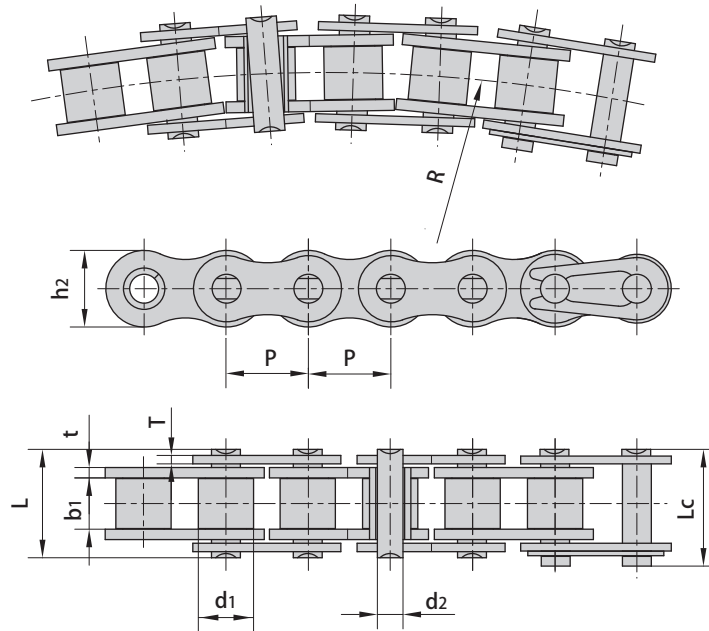


Anti-sidebow chains for pushing window



Donghua Chain No.	Pitch	Roller diameter	Width between inner plates	Pin diameter	Pin length	Plate dimension			Ultimate tensile strength
	P	d1 max	b1	d2 max	L max	H max	h	t/T	Q min
	mm	mm	mm	mm	mm	mm	mm	mm	kN
06CF31SS	9.525	5.08	4.5	3.58	11.5	12.38	7.88	1.30	5.2
P12.7F3SS	12.700	7.50	5.5	4.45	15.6	14.30	8.50	2.03	12.0

Side bow chains

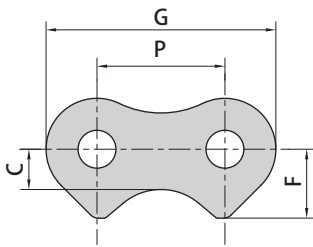
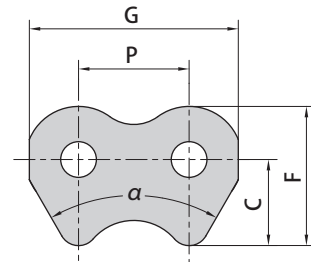


Donghua Chain No.	Pitch	Roller diameter	Width between inner plates	Pin diameter		Pin length		Inner plate depth	Plate thickness	Side bow radius	Ultimate tensile strength	Average tensile strength	Weight per meter
	p	d ₁ max	b ₁ min	d ₂ max	L max	L _c max	h ₂ max	t/T max	R	Q min	Q ₀	q	
	mm	mm	mm	mm	mm	mm	mm	mm	mm	kN/lbf	kN	kg/m	
40SB	12.700	7.95	7.85	3.96	16.9	18.1	11.7	1.50	350	13.8/3136	15.20	0.80	
43SB	12.700	7.95	7.85	3.45	18.3	19.5	11.7	1.50	305	12.0/2727	13.20	0.64	
50SB	15.875	10.16	9.40	4.37	20.7	22.7	14.9	2.03	400	20.6/4681	22.70	1.09	
60SB	19.050	11.91	12.57	5.34	26.6	28.4	18.0	2.42	500	15.7/3568	17.30	1.54	
63SB	19.050	11.91	12.68	5.08	28.8	30.6	17.2	2.42/2.03	350	12.5/2840	20.00	1.40	
80SB	25.400	15.88	15.75	7.19	34.0	37.3	24.0	3.25	711	40.9/9201	42.00	2.60	
#06BSBF1	9.525	6.35	5.72	3.05	13.5	15.0	8.2	1.30	300	8.0/1818	8.80	0.60	
08BSB	12.700	8.51	7.75	3.97	17.4	18.7	11.8	1.60	400	14.0/3182	15.40	0.70	
08BSBF1	12.700	8.51	7.75	3.97	16.3	17.6	11.8	1.6/1.2	400	12.8/2909	14.10	0.65	
10BSB	15.875	10.16	9.65	4.50	20.1	21.5	14.7	1.70	400	15.6/3545	17.20	0.93	
12BSB	19.050	12.07	11.68	5.12	23.1	24.8	16.0	1.85	500	20.5/4658	22.60	1.16	
16BSB	25.400	15.88	17.22	7.90	36.5	39.7	21.0	3.7/3.0	500	55.6/12635	64.00	2.53	
#C2050SB	31.750	10.16	9.40	5.08	21.3	22.6	15.0	2.03	800	21.8/4954	24.00	0.84	
#C2060SBF1	38.100	11.91	12.57	5.08	26.8	28.8	18.0	2.42	800	21.8/4954	24.00	1.17	
#C2062F6SB	38.100	22.23	12.57	5.34	26.6	29.0	23.0	2.42	1100	15.7/3568	17.30	2.27	

#Straight side plates

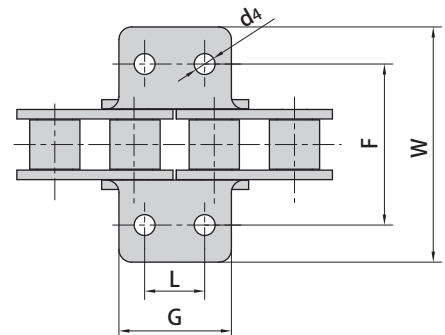
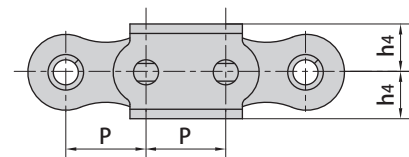
Side bow chains attachments

Donghua Chain No.	P mm	G mm	C mm	F mm	α
08BSBF5	12.7	24.0	9.9	16.0	60°

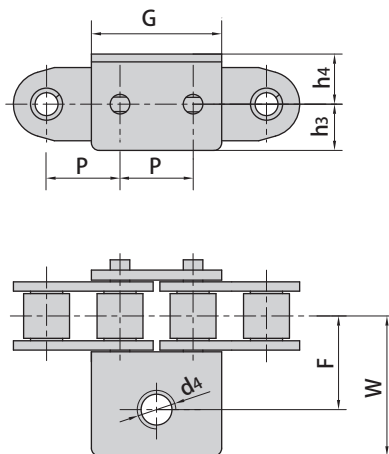


Donghua Chain No.	P mm	G mm	C mm	F mm
43SBF14	12.700	23.1	9.5	11.40
50SBF2	15.875	28.0	5.0	8.56

Donghua Chain No.	P mm	G mm	L mm	F mm	W mm	h4 mm	d4 mm
40SBF1	12.7	17.8	9.5	30.2	45.5	7.5	3.3

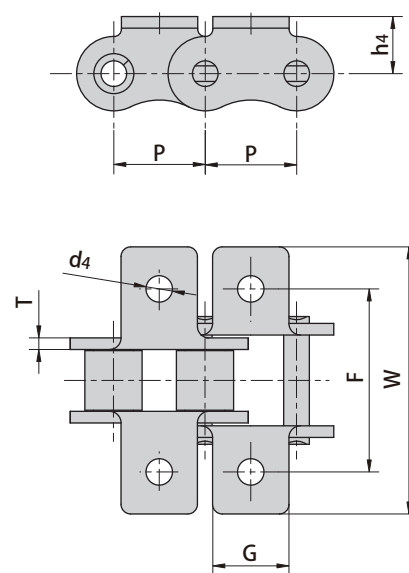


Side bow chains attachments

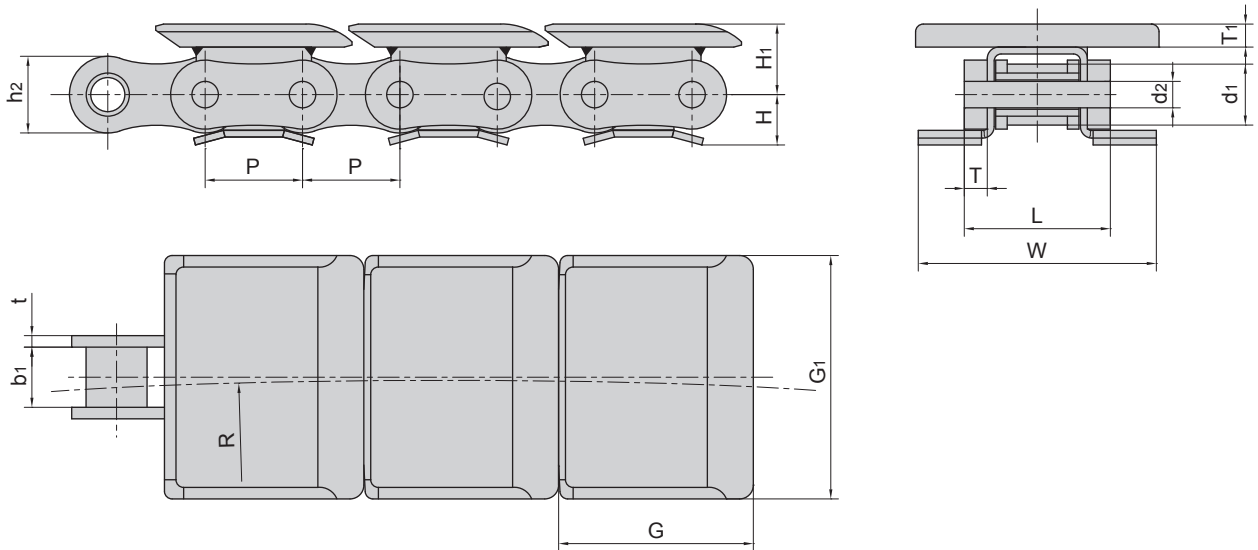


Donghua Chain No.	P	G	F	W	h3	h4	d4
	mm	mm	mm	mm	mm	mm	mm
63SBF2	19.05	33.9	24.4	36.4	12.0	13.0	M8

Donghua Chain No.	P	G	F	W	T	h4	d4
	mm	mm	mm	mm	mm	mm	mm
43SBA1F1	12.700	9.50	25.40	35.2	1.50	7.9	3.4
40SBA1F3	12.700	9.50	38.00	50.0	1.50	8.0	4.2
40SBA1F4	12.700	18.10	27.40	39.4	1.50	8.0	4.2
50SBA1	15.875	12.70	31.75	46.2	2.03	10.3	5.5
10BA1F3SB	15.875	13.00	32.40	51.2	1.70	10.5	6.0
10BA1F5SB	15.875	14.29	31.80	46.2	1.70	10.3	6.0
60SBK1	19.050	15.90	38.10	56.3	2.42	11.9	5.5
C2050SBK0F1.02	31.750	12.70	-	43.6	2.03	7.4	-
C2050SBK0F2	31.750	15.00	-	35.0	2.03	7.4	-
C2050SBK1	31.750	23.80	31.80	44.6	2.03	11.1	5.5

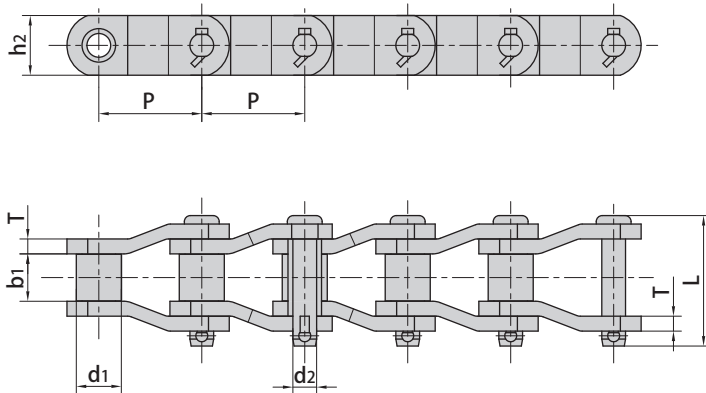


Side bow chains with attachments



Donghua Chain No.	Pitch	Roller diameter	Width between inner plates	Pin diameter	Pin length	Inner plate depth	Attachment dimension							
	P	d1	b1	d2	L	h2	H	H1	t/T	T1	G	G1	W	R
	mm	mm	mm	mm	mm	mm	mm	mm	mm	mm	mm	mm	mm	mm
43SBF11	12.7	7.95	7.85	3.45	19.6	9.8	6.9	9.2	1.5/2.8	3	25.7	31.75	31.6	254
43SBF12	12.7	7.95	7.85	3.45	19.6	9.8	6.9	9.2	1.5/2.8	3	25.7	36.00	31.6	254
43SBF13	12.7	7.95	7.85	3.45	19.6	9.8	6.9	9.2	1.5/2.8	3	25.7	64.00	31.6	254

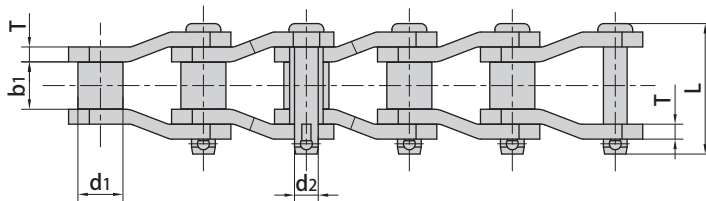
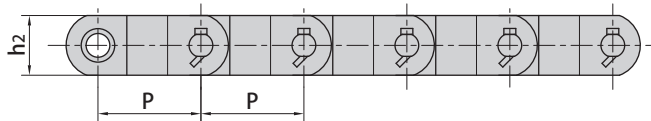
Heavy duty cranked-link transmission chains



Donghua Chain No.	Pitch	Roller diameter	Width between inner plates	Pin diameter	Pin length	Plate depth	Plate thickness	Ultimate tensile strength	Average tensile strength	Weight per meter
	P mm	d1 max mm	b1 min mm	d2 max mm	L max mm	h2 mm	T mm	Q min kN/lbf	Q0 kN	q kg/m
MXS432	42.01	22.23	25.40	11.10	57.9	28.50	4.8	80.80/18363	88.0	5.65
R3112	50.80	28.70	31.00	14.20	73.9	41.40	6.4	168.90/38385	185.0	10.70
R3112F1	50.80	28.70	31.00	15.06	79.5	41.40	7.9	195.60/18363	225.0	12.23
SS2065	50.80	28.58	32.50	15.05	79.5	38.00	7.9	220.00/49998	242.0	12.14
2010	63.50	31.75	38.10	15.90	89.0	47.80	7.9	250.00/56818	275.0	13.53
2010H	63.50	31.75	31.75	15.88	97.0	41.50	9.5	250.00/56818	275.0	11.91
2010SH	63.50	31.75	38.10	15.88	97.0	41.50	9.5	300.00/68181	330.0	12.00
*SS588F4	66.27	22.23	30.40	11.11	60.0	32.00	4.8	90.00/20454	103.0	5.05
MXS882	66.27	22.23	28.58	11.10	68.5	28.50	6.4	115.60/26272	124.8	5.30
SS588	66.27	22.23	28.60	11.11	63.7	28.60	6.4	130.00/29545	144.0	5.46
SS588F1	66.27	22.23	27.00	11.11	62.0	28.60	6.4	88.90/20205	97.8	5.39
SS588F2	66.27	22.23	27.00	9.53	59.0	25.40	5.6	84.46/19195	91.2	4.26
*MX603	76.20	22.50	38.00	14.00	88.0	40.00	8.0	147.00/33408	161.0	9.20
*MXS3011F1	77.90	31.75	39.60	19.05	100.0	57.00	9.7	407.50/18363	468.0	17.68
2512(MXS3011)	77.90	41.28	39.60	19.05	100.0	57.00	9.7	340.00/77272	367.2	18.40
2512F2	77.90	41.28	38.50	19.05	103.4	60.00	10.0	400.00/90909	420.0	20.28
2512F3	77.90	41.28	40.00	18.60	104.2	46.70	11.0	340.00/77271	391.0	18.15
2512F4	77.90	41.28	39.60	19.05	110.0	60.00	12.0	407.50/92612	468.0	23.60
SS568H	77.90	41.30	39.70	19.05	97.6	57.00	9.5	340.00/77272	367.2	19.80
SS568HF2	77.90	31.75	39.70	19.05	98.5	57.00	9.5	447.00/101588	491.0	16.90

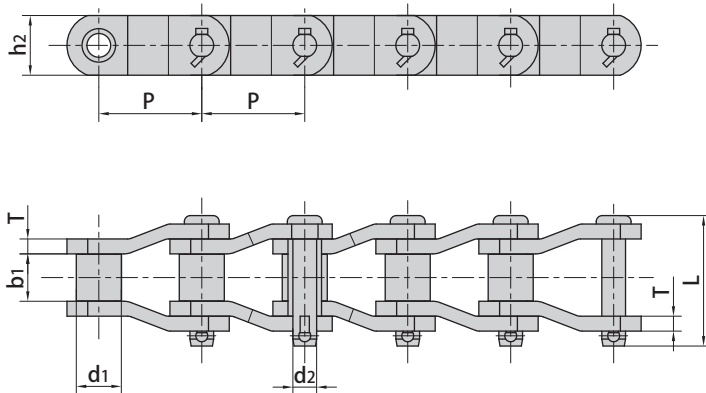
*Bush chain: d1 in the table indicates the external diameter of the bush.

Heavy duty cranked-link transmission chains



Donghua Chain No.	Pitch	Roller diameter	Width between inner plates	Pin diameter	Pin length	Plate depth	Plate thickness	Ultimate tensile strength	Average tensile strength	Weight per meter
	P mm	d1 max mm	b1 min mm	d2 max mm	L max mm	h2 mm	T mm	Q min kN/lbf	Q0 kN	q kg/m
SS568HF3	77.90	41.30	39.70	19.05	104.1	57.00	11.0	489.3/111203	562.0	20.85
2510	78.10	31.75	36.90	16.00	94.8	40.00	8.0	271.0/61590	292.6	10.72
2510F1	78.10	31.75	36.60	16.00	88.9	38.10	8.0	124.5/28295	137.0	9.93
2510F1-CF1	78.10	31.75	36.60	16.00	88.9	38.10	8.0	124.5/28295	137.0	10.00
2510F2	78.10	31.75	36.60	15.75	88.0	38.10	8.0	225.0/51135	248.0	11.70
2510H	78.10	31.75	36.90	16.50	95.3	45.00	9.5	280.4/63727	302.8	12.70
MXS3075	78.10	31.75	38.10	16.46	93.5	44.50	9.7	334.0/75907	365.8	13.45
MXS3075F1	78.10	33.00	38.10	16.46	94.5	44.50	9.7	334.0/75907	365.8	14.00
MXS3075F1SH	78.10	33.00	38.10	16.46	94.5	44.45	9.7	360.0/81817	414.0	13.96
MXS3075F2	78.10	31.75	38.10	17.81	90.0	45.00	8.0	333.2/75726	365.8	12.20
MXS3075F3	78.10	33.30	38.10	16.46	94.5	44.50	9.7	334.0/75908	384.0	14.00
MXS3075F4	78.10	33.30	38.10	17.15	94.5	44.50	9.7	360.0/81817	414.0	14.00
SS40H(P)	78.11	31.75	38.10	15.88	97.0	41.50	9.5	250.0/56818	280.0	12.60
3125	79.37	41.27	39.70	20.32	101.6	57.20	9.5	347.1/78885	400.0	20.10
3125F1	79.37	41.27	39.70	20.32	101.6	57.20	9.5	374.0/84998	430.0	20.10
3125F2	79.37	41.27	41.30	20.32	105.0	57.20	9.5	481.2/109362	529.0	20.44
3125HF1	79.37	43.00	41.00	22.23	108.0	57.20	11.0	400.0/90908	500.0	23.25
2814	88.90	44.45	36.60	22.23	117.6	58.00	12.7	471.0/105955	507.6	25.70
2814F1	88.90	44.45	36.90	22.23	117.6	60.00	13.5	556.0/126358	611.0	24.20
2814F2	88.90	44.45	38.60	22.23	119.6	58.00	12.7	559.0/127040	614.9	25.40

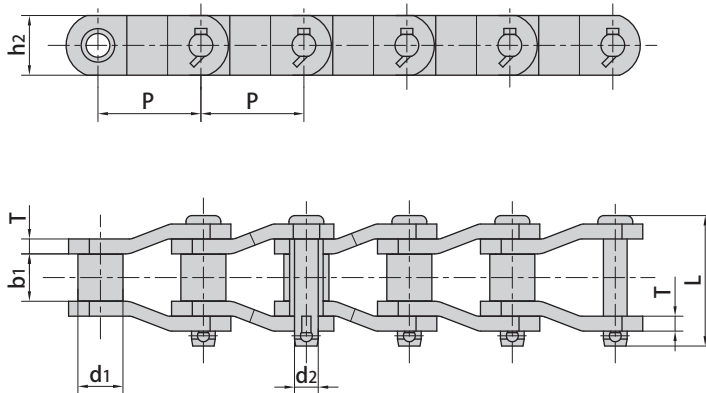
Heavy duty cranked-link transmission chains



Donghua Chain No.	Pitch	Roller diameter	Width between inner plates	Pin diameter	Pin length	Plate depth	Plate thickness	Ultimate tensile strength	Average tensile strength	Weight per meter
	P mm	d1 max mm	b1 min mm	d2 max mm	L max mm	h2 mm	T mm	Q min kN/lbf	Q0 kN	q kg/m
RO1644F1	96.000	44.80	39.00	23.80	119.00	60.00	14.0	530.0/120453	609.0	27.45
*MX604	101.600	25.00	57.00	16.00	117.00	50.00	10.0	227.0/51590	261.0	13.63
SB1254	103.124	45.21	30.48	23.81	107.95	57.15	12.7	400.0/90908	460.0	22.67
3214	103.200	44.45	48.00	22.00	123.50	55.00	13.0	476.0/108180	514.0	23.60
3214F1	103.200	44.45	49.20	23.90	129.00	60.00	14.0	666.4/151450	700.0	26.70
3214F2	103.200	44.45	39.70	19.05	97.60	57.20	9.5	456.0/103635	500.0	17.67
3214F3	103.200	46.00	49.20	23.90	123.50	60.00	13.0	539.0/122498	619.0	26.16
MXS1242	103.200	44.45	49.20	22.23	124.50	57.00	12.8	623.0/141591	672.8	24.63
MXS1242F1	103.200	44.45	55.00	22.23	128.80	57.00	12.8	623.0/141589	716.0	24.16
SS124	103.200	44.45	49.20	22.23	127.20	57.00	12.7	560.0/127272	590.0	22.57
3315	103.450	45.24	49.30	23.85	130.00	63.50	14.2	550.0/125000	594.0	27.71
3315F1	103.450	45.24	47.60	23.85	134.00	60.00	15.0	650.0/147725	747.0	27.34
3315F2	103.450	50.00	49.30	25.00	142.50	63.50	16.0	620.0/140907	713.0	32.50
SH1245	103.450	45.30	49.60	23.80	130.00	60.00	14.5	722.0/164084	794.0	31.00
SS1245	103.450	45.20	49.60	23.80	129.40	60.00	14.5	550.0/125000	605.0	31.19
SS1245F1	103.450	45.20	49.60	25.60	132.30	60.00	14.5	530.0/120453	609.0	28.53
SS1245F2	103.450	46.20	52.00	23.80	139.20	60.00	16.0	530.0/120453	609.0	31.15
3618	114.300	57.15	52.30	27.97	138.00	79.20	14.2	760.0/172727	820.8	41.20
SS635H	114.300	57.20	52.40	27.94	137.00	76.20	14.5	760.0/172727	836.0	37.80
SS635HF1	114.300	57.20	52.40	27.94	137.00	76.20	17.5	964.0/219085	1060.0	37.90

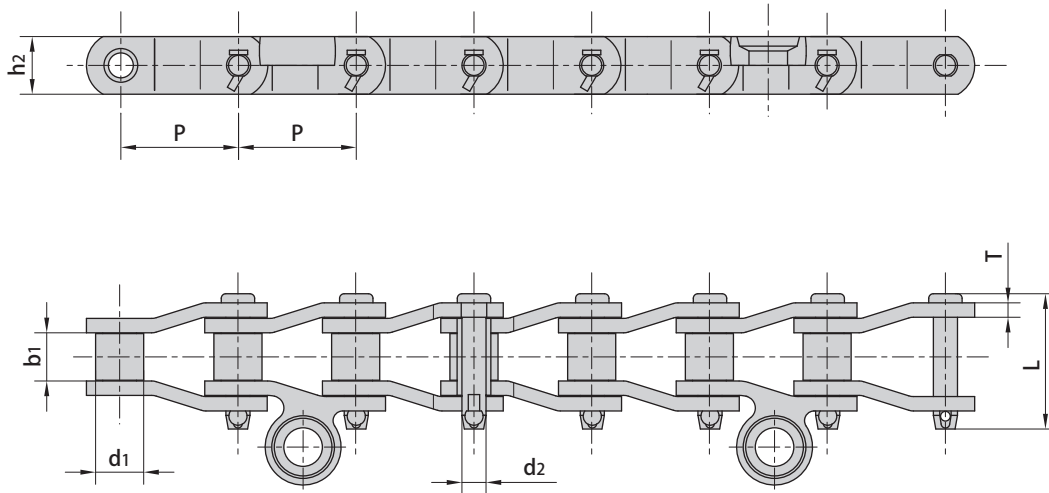
*Bush chain: d1 in the table indicates the external diameter of the bush.

Heavy duty cranked-link transmission chains

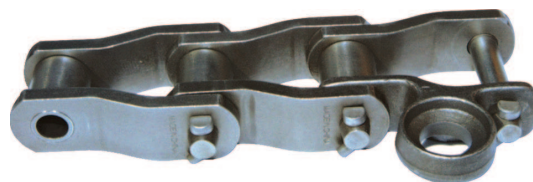


Donghua Chain No.	Pitch	Roller diameter	Width between inner plates	Pin diameter	Pin length	Plate depth	Plate thickness	Ultimate tensile strength	Average tensile strength	Weight per meter
	P	d1 max	b1 min	d2 max	L max	h2	T	Q min	Q0	q
	mm	mm	mm	mm	mm	mm	mm	kN/lbf	kN	kg/m
SS635HF2	114.300	57.20	52.40	27.94	137.0	76.20	7.5	964.0/219088	1108.0	37.90
4020	127.000	63.50	69.90	31.78	165.7	88.90	15.7	987.0/224300	1069.2	48.60
4020F1	127.000	63.50	68.30	31.78	168.1	90.00	17.0	1100.0/249997	1265.0	50.60
4020F2	127.000	69.85	68.30	35.05	173.0	95.25	19.0	1100.0/249997	1265.0	59.08
4020F3	127.000	63.50	69.90	34.93	176.0	91.00	19.0	1410.0/320450	1551.0	58.40
4020HF1	127.000	63.50	69.90	34.93	176.0	88.90	19.0	1300.0/295451	1495.0	54.50
4020HF2	127.000	63.50	65.02	34.93	171.0	88.90	19.0	1300.0/295451	1430.0	38.58
4020SHF1	127.000	63.50	69.90	31.78	165.7	88.90	15.7	1333.0/302905	1532.0	48.60
RO1205	127.000	63.50	65.00	31.75	147.6	82.50	14.2	872.0/198177	955.0	42.93
2184	152.400	76.20	35.00	22.20	96.0	51.00	9.5	330.0/75000	378.0	18.17
4824	152.400	76.20	74.60	38.10	186.0	100.00	20.0	1600.0/363632	1700.0	69.80
6060	152.400	88.90	101.00	47.63	228.7	114.30	22.0	1700.0/386359	1955.0	97.59
DH6042F1	152.400	76.35	76.30	38.05	188.0	101.60	19.0	1400.0/318178	1610.0	58.36
RO6042F1	152.400	76.20	76.30	44.00	184.0	120.00	19.0	1500.0/340900	1600.0	63.60
P153	153.619	34.93	53.98	17.48	107.0	44.50	9.5	150.0/34090	165.0	10.90
P153F1	153.619	34.93	53.98	17.48	100.0	44.50	8.0	150.0/34090	165.0	9.74
P153F2	153.619	34.93	53.98	17.48	100.0	44.50	8.0	150.0/34090	165.0	9.80
5628	177.800	88.90	82.60	44.45	210.0	133.00	22.0	1890.0/429540	2173.0	99.50
5628F1	177.800	88.90	82.60	44.45	210.0	127.00	22.0	2224.0/505448	2557.0	96.80

Heavy duty cranked-link transmission chains

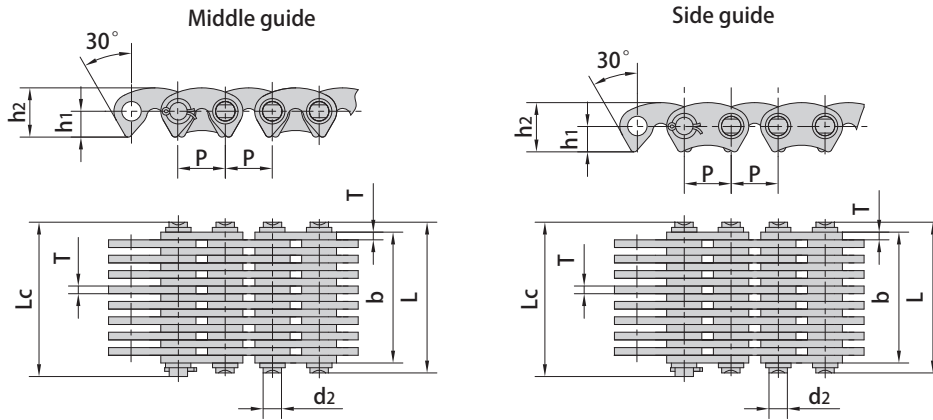


Donghua Chain No.	Pitch	Roller diameter	Width between inner plates	Pin diameter	Pin length	Plate depth	Plate thickness	Ultimate tensile strength	Average tensile strength
	P	d1 max	b1 min	d2 max	L max	h2	T	Q min	Q0
	mm	mm	mm	mm	mm	mm	mm	kN/lbf	kN
SS40SL	78.105	31.78	31.75	15.90	89.15	38.0	9.5	250.0/56818	266.88



Inverted tooth chains

Flank contact silent chains

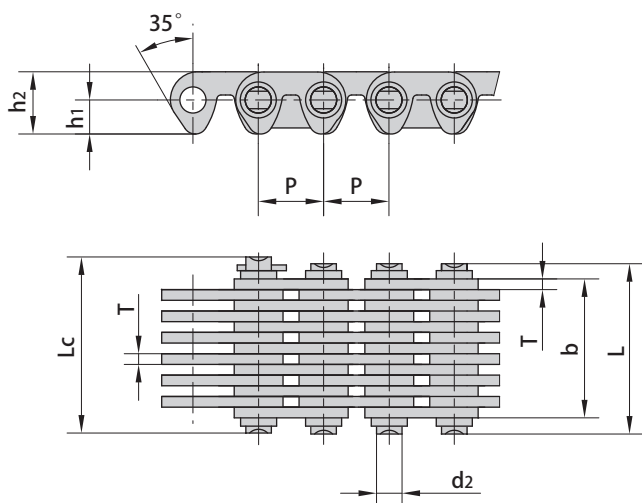


GB Chain No.	Pitch	Chain width	Pin diameter	Pin length		Distance from hole center to tooth	Plate depth	Plate thickness	Guide type	Number of plates	Ultimate tensile strength	Average tensile strength	Weight per meter
	P mm	b min mm	d2 max mm	L max mm	Lc max mm	h1 mm	h2 max mm	T max mm			Q min kN/lbf	Q0 kN	q kg/m
SC3	9.525	13.5	3.95	18.5	20.0	5.3	10.0	1.5	Outside	9	10.0/2272	11.2	0.60
		16.5		21.5	23.0				Outside	11	12.5/2840	14.0	0.73
		19.5		24.5	26.0				Outside	13	15.0/3409	16.8	0.85
		22.5		27.5	29.0				Outside	15	17.5/3997	19.6	1.00
		28.5		33.5	35.0				Inside	19	22.5/5114	25.2	1.26
SC4	12.700	19.5	5.08	24.5	26.0	7.0	13.4	1.5	Outside	13	23.4/5318	26.2	1.15
		22.5		27.5	29.0				Outside	15	27.4/6227	30.6	1.33
		25.5		30.5	32.0				Outside	17	31.3/7114	35.0	1.50
		28.5		33.5	35.0				Inside	19	35.2/8000	39.4	1.68
		34.5		39.5	41.0				Inside	23	43.0/9772	48.1	2.04
		40.5		45.5	47.0				Inside	27	50.8/11364	56.8	2.39
		46.5		51.5	53.0				Inside	31	58.6/13318	65.6	2.74
52.5	57.5	59.0	Inside	35	66.4/15091	74.3	3.10						
SC5	15.875	30.0	5.92	37.0	38.2	8.7	16.7	2.0	Inside	15	45.6/10364	50.6	2.21
		38.0		45.0	46.2				Inside	19	58.6/13318	65.0	2.80
		46.0		53.0	54.2				Inside	23	71.7/16295	79.5	3.39
		54.0		61.0	62.4				Inside	27	84.7/19250	94.0	3.99
		62.0		69.0	70.4				Inside	31	97.7/22204	108.4	4.58
SC6	19.050	38.0	6.90	45.0	46.5	10.5	20.0	2.0	Inside	19	70.0/15909	77.6	3.37
		46.0		53.0	54.5				Inside	23	86.0/19545	95.4	4.08
		54.0		61.0	62.8				Inside	27	102.0/23182	113.2	4.78
		62.0		69.0	70.8				Inside	31	117.0/26591	129.8	5.50
		70.0		77.0	78.8				Inside	35	133.0/30227	147.6	6.20
SC8	25.400	45.0	8.90	52.0	53.5	14.0	26.7	3.0	Inside	15	111.0/25227	123.2	5.31
		51.0		58.0	59.5				Inside	17	125.0/28409	138.7	6.02
		57.0		64.0	65.5				Inside	19	141.0/32045	156.5	6.37
		69.0		76.2	77.7				Inside	23	172.0/39091	190.9	8.15
		81.0		88.2	89.7				Inside	27	203.0/46163	225.3	9.57
SC10	31.750	70.0	10.84	77.0	78.8	17.5	33.4	3.0	Inside	31	235.0/53409	260.8	10.98
		57.0		66.6	69.6				Inside	19	165.0/37500	183.1	8.42
		69.0		78.6	81.6				Inside	23	201.0/45681	223.1	10.19
		81.0		90.6	93.6				Inside	27	237.0/53863	263.2	11.96
		93.0		102.6	105.6				Inside	31	273.0/62045	303.0	13.73
105.0	114.6	117.6	Inside	35	310.0/70454	341.0	15.50						
117.0	126.6	129.6	Inside	39	346.0/78636	380.6	17.27						

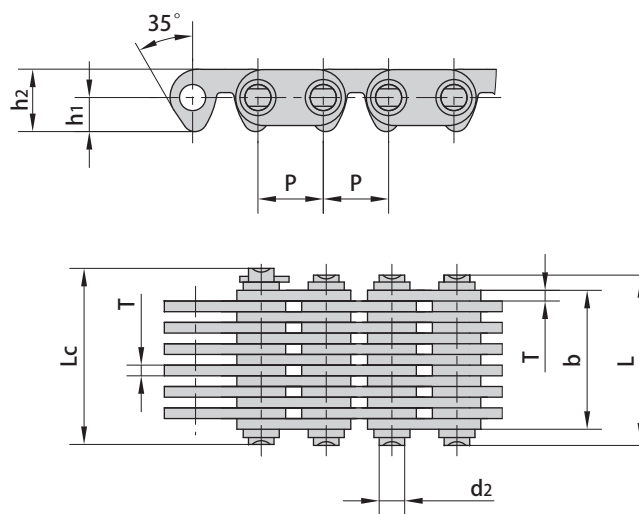
Inverted tooth chains

Crotch contact silent chains

Middle guide

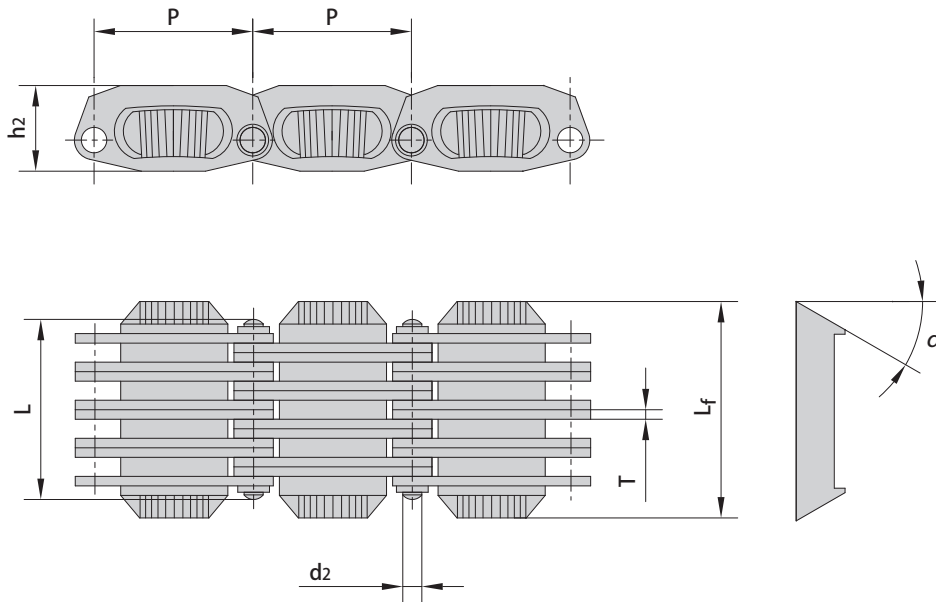


Side guide



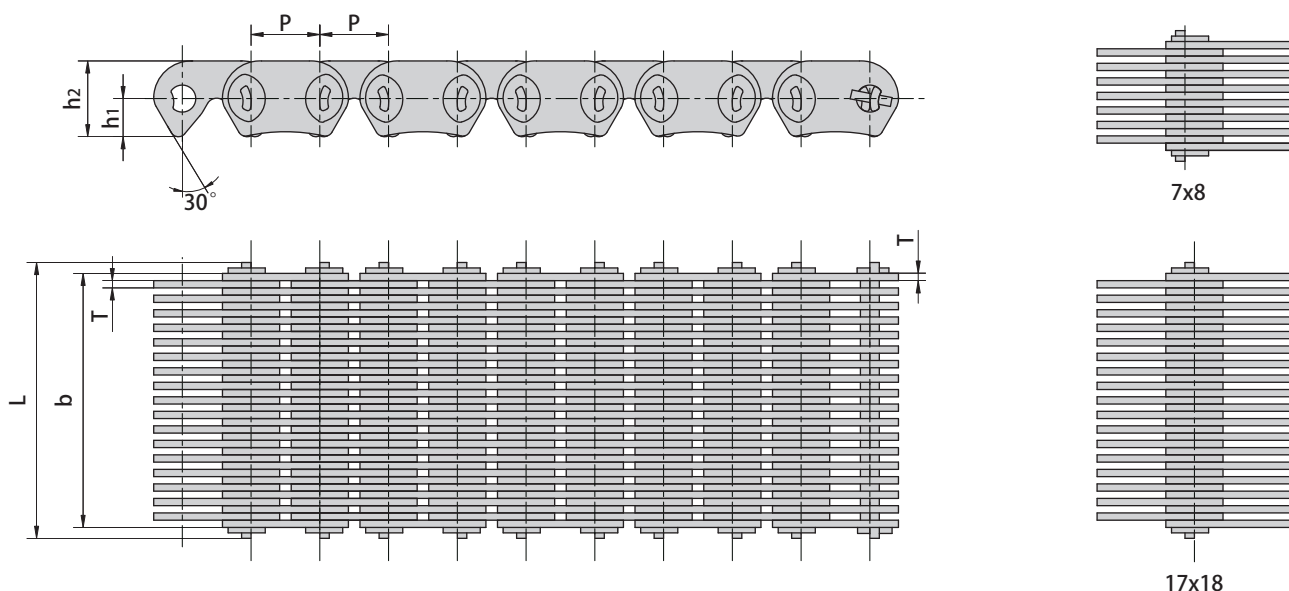
Donghua Chain No.	Pitch	Chain width	Pin diameter	Pin length		Distance from hole center to tooth	Plate depth	Plate thickness	Guide type	Number of plates	Ultimate tensile strength	Average tensile strength	Weight per meter
	P	b	d ₂	L	L _c	h ₁	h ₂	T			Q _{min}	Q ₀	q
	mm	mm	mm	mm	mm	mm	mm	mm		n	kN/lbf	kN	kg/m
C4-120	12.7	19.5	5.08	24.5	26.0	6.62	12.1	1.5	Inside	13	20.0/4545	22.2	1.20
C4-123		22.5		27.5	29.0				Inside	15	23.0/5227	25.5	1.37
C4-129		28.5		33.5	35.0				Inside	19	28.5/6477	31.6	1.72
C4-132		31.5		36.5	38.0				Inside	21	31.5/7159	34.9	1.89
C4-138		37.5		42.5	44.0				Inside	25	38.0/8636	42.1	2.22
C4-150		49.5		54.5	56.0				Inside	33	50.0/11363	55.5	2.90
C4-320	12.7	19.5	5.08	24.5	26.0	6.62	12.1	1.5	Outside	13	20.0/4545	22.2	1.21
C4-323		22.5		27.5	29.0				Outside	15	23.0/5227	25.5	1.38
C4-329		28.5		33.5	35.0				Outside	19	28.5/6477	31.6	1.73
C4-332		31.5		36.5	38.0				Outside	21	31.5/7159	34.9	1.90
C4-338		37.5		42.5	44.0				Outside	25	38.0/8636	42.1	2.23

Self-tooth-forming chains(P.I.V. chains)

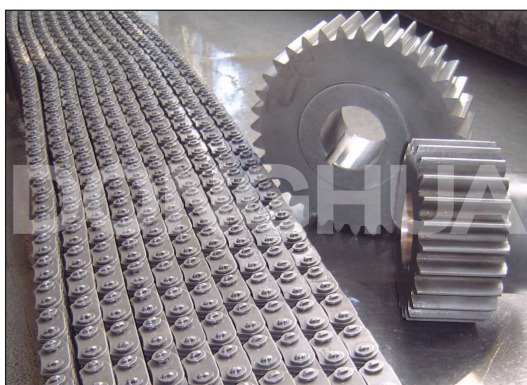


JB Chain No.	Pitch	Pin diameter	Pin length	Plate depth	Plate thickness	Width over friction plate	Angle of friction plate	Ultimate tensile strength	Average tensile strength	Weight per meter
	P mm	d2 max mm	L max mm	h2 max mm	T max mm	Lf mm	α	Q min kN/lbf	Q0 kN	q kg/m
A0	18.75	3.00	19.5	9.5	1.0	24.0	15°	9.0/2045	9.9	1.00
A1(A2)	25.00	3.00	30.1	13.5	1.5	37.8	15°	21.0/4772	23.3	2.23
A3	28.60	3.00	35.3	16.0	1.5	44.2	15°	38.5/8750	42.7	3.04
A4	36.00	4.00	48.5	20.5	1.5	58.5	15°	61.5/13977	68.2	5.54
A5	36.00	4.00	60.5	20.5	1.5	70.0	15°	71.0/16136	78.8	6.70

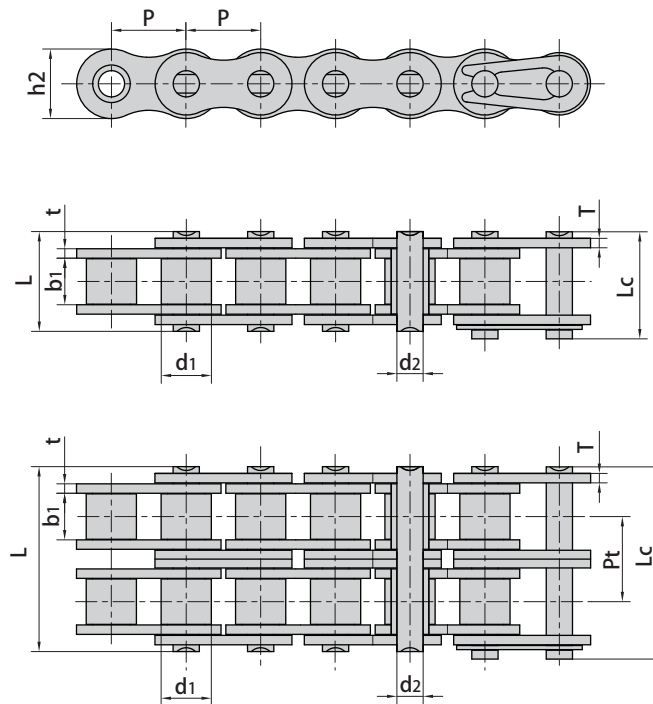
Hy-Vo Inverted tooth chains



Donghua Chain No.	Pitch	Chain width	Pin length	Distance from hole center to tooth	Plate depth	Plate thickness	Guide type	Number of plates	Ultimate tensile strength	Average tensile strength	Weight per meter
	P	b max	L max	h1	h2 max	T		n	Q min	Q0	q
	mm	mm	mm	mm	mm	mm			kN/lbf	kN	kg/m
HV6	19.05	73.5	81.3	10.50	20.90	2.0	Outside	17×18	174 / 39100	200	7.4
HV8	25.40	48.5	56.9	14.06	27.74	3.0	Outside	7×8	187 / 42022	200	7.0



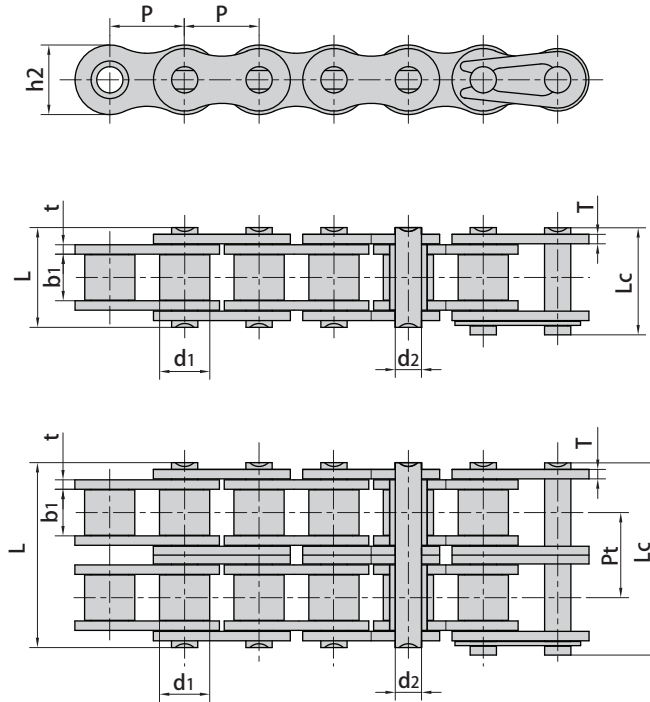
Self-lubrication roller chains



Donghua Chain No.	Pitch	Roller diameter	Width between inner plates	Pin diameter	Pin length		Inner plate depth	Plate thickness	Transverse pitch	Ultimate tensile strength	Weight per meter
	p	d1 max	b1 min	d2 max	L max	Lc max	h2 max	t/T max	Pt	Q min	q
	mm	mm	mm	mm	mm	mm	mm	mm	mm	kN/lbf	kg/m
#06BSLR	9.525	6.35	5.72	3.28	13.15	14.1	8.20	1.30	-	9.0/2045	0.41
08BSLR	12.700	8.51	7.75	4.45	16.70	18.2	11.80	1.60	-	18.0/4091	0.69
08BSLRF1	12.700	8.51	7.75	4.45	17.30	18.7	11.80	1.60	-	18.0/4091	0.72
10BSLR	15.875	10.16	9.65	5.08	19.50	20.9	14.70	1.70	-	22.4/5091	0.93
10BSLRF1	15.875	10.16	9.65	5.08	19.90	21.6	14.70	1.70	-	22.4/5091	0.97
10BSLRF2	15.875	10.16	9.65	5.08	19.50	20.9	14.70	1.70	-	14.0/3181	1.20
#C10BSLR	15.875	10.16	9.65	5.08	19.50	20.9	14.70	1.70	-	22.4/5089	1.06
12BSLR	19.050	12.07	11.68	5.72	22.50	24.2	16.00	1.85	-	29.0/6591	1.15
12BSLRF1	19.050	12.07	11.68	5.72	22.90	24.7	16.00	1.85	-	29.0/6591	1.19
#C12BSLR	19.050	12.07	11.68	5.72	22.90	24.9	16.00	1.85	-	29.0/6589	1.32
16BSLR	25.400	15.88	17.02	8.28	36.10	37.4	21.00	4.15/3.1	-	60.0/13636	2.71
16BSLRF1	25.400	15.88	17.02	8.28	36.70	39.7	21.00	4.15/3.1	-	60.0/13636	2.73
16BSLRF4	25.400	15.88	17.02	8.28	36.10	39.1	21.00	4.15/3.1	-	60.0/13636	2.77
#C16BF1SLR	25.400	15.88	17.02	8.28	36.10	37.4	24.00	4.15	-	60.0/13633	3.38
#C16BSLRF1	25.400	15.88	17.02	8.28	36.70	39.7	21.00	4.15/3.1	-	60.0/13633	2.98
#C16BSLRF2	25.400	15.88	17.02	8.28	36.70	38.2	24.00	4.15/3.1	-	60.0/13633	3.39

#Straight side plates

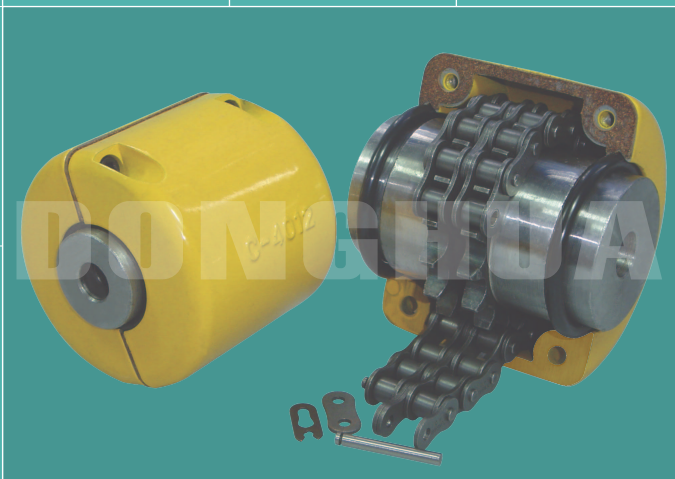
Self-lubrication roller chains



Donghua Chain No.	Pitch	Roller diameter	Width between inner plates	Pin diameter	Pin length		Inner plate depth	Plate thickness	Transverse pitch	Ultimate tensile strength	Weight per meter
	P mm	d1 max mm	b1 min mm	d2 max mm	L max mm	Lc max mm	h2 max mm	t/T max mm	Pt mm	Q min kN/lbf	q kg/m
40SLR	12.700	7.95	7.85	3.96	16.60	17.8	12.00	1.50	-	14.1/3205	0.62
50SLR	15.875	10.16	9.40	5.08	20.70	22.2	15.09	2.03	-	22.0/5045	1.02
60SLR	19.050	11.91	12.57	5.94	27.50	29.3	18.00	3.25/2.42	-	34.2/7772	1.65
60HSLR	19.050	11.91	12.57	5.94	29.20	31.0	18.00	3.25	-	31.8/7227	1.95
#C60SLR	19.050	11.91	12.57	5.94	25.90	27.7	18.20	2.42	-	31.8/7227	1.83
80SLR	25.400	15.88	15.75	7.92	32.70	35.0	24.00	3.25	-	56.7/12886	2.60
80HSLR	25.400	15.88	15.75	7.92	36.20	38.9	24.00	4.00	-	56.7/12886	3.03
#C80SLR	25.400	15.88	15.75	7.92	32.70	35.0	24.00	3.25	-	56.7/12886	3.10
100SLR	31.750	19.05	18.90	9.53	40.40	44.7	30.00	4.00	-	86.7/19699	3.94
08BSLR-2	12.700	8.51	7.75	4.45	31.20	32.2	11.80	1.60	13.92	32.0/7273	1.34
10BSLR-2	15.875	10.16	9.65	5.08	36.10	37.5	14.70	1.70	16.59	44.5/10114	1.84
12BSLR-2	19.050	12.07	11.68	5.72	42.00	43.6	16.00	1.85	19.46	57.8/13136	2.31
#C12BSLR-2	19.050	12.07	11.68	5.72	42.00	43.6	16.00	1.85	19.46	57.8/13136	2.31
16BSLR-2	25.400	15.88	17.02	8.28	68.00	69.3	21.00	4.15/3.1	31.88	106.0/24091	5.42
40SLR-2	12.700	7.95	7.85	3.96	31.00	32.2	12.00	1.50	14.38	28.2/6409	1.12
50SLR-2	15.875	10.16	9.40	5.08	38.90	40.4	15.09	2.03	18.11	44.4/10091	2.00
60SLR-2	19.050	11.91	12.57	5.94	50.30	52.1	18.00	2.42	22.78	68.4/15544	3.21
80SLR-2	25.400	15.88	15.75	7.92	62.70	64.3	24.00	3.25	29.29	113.4/25773	5.15
100SLR-2	31.750	19.05	18.90	9.53	76.40	80.5	30.00	4.00	35.76	173.4/39399	7.89

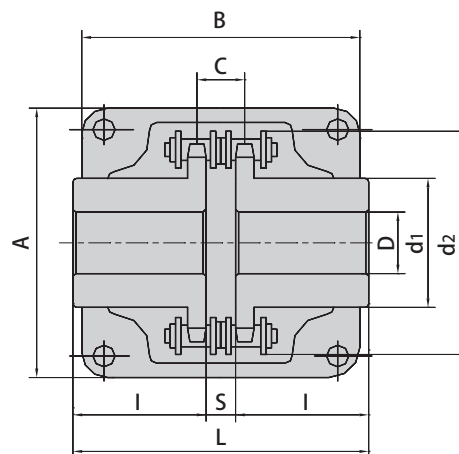
#Straight side plates

CHAIN COUPLINGS



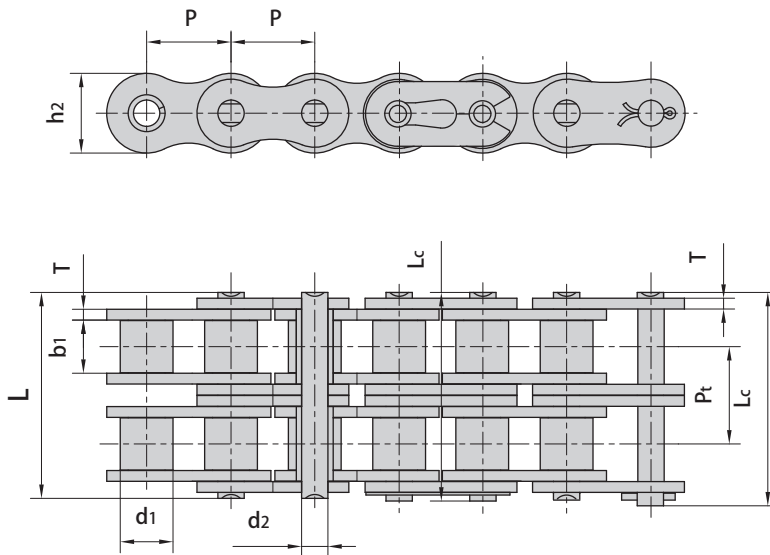
Chain couplings

The Donghua Chain coupling is composed of a duplex roller chain and a pair of coupling sprockets. The function of connection and detachment is done by the joint of chain. It has the characteristic of compact and powerful, excellent durability, safe and smart, simple installation and easy alignment. The Donghua Chain coupling is suitable for a wide range of coupling applications.



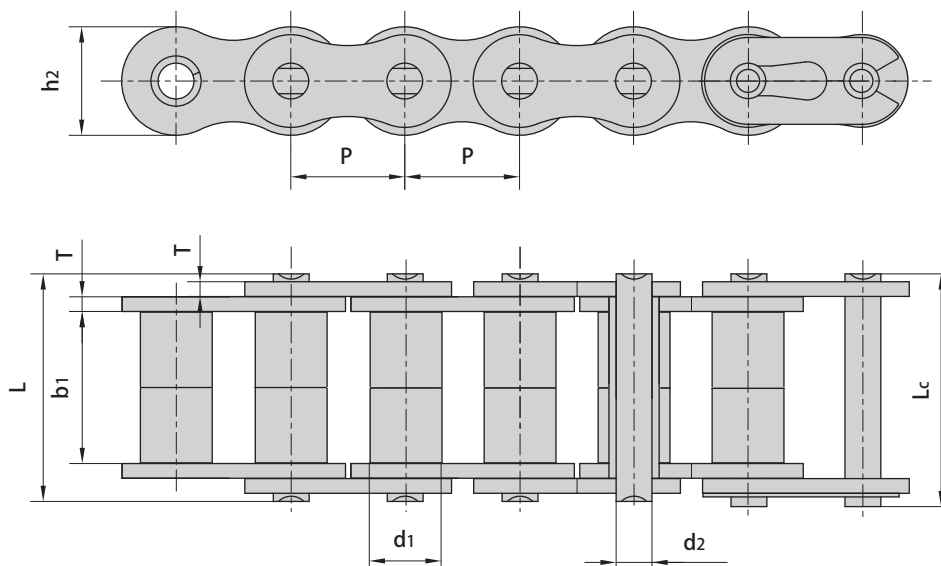
Chain Coupling No.	Chain No.	Bore Dia		Dimension						Inertia ×10 ⁻³ kgf·m ²	Approx Weight kg	Casing		
		Min mm	Max mm	L mm	I mm	S mm	d1 mm	d2 mm	C mm			Dimension		Approx Weight kg
												A mm	B mm	
DH C-3012	06B-2X12	12	16	64.8	29.8	5.2	25	45	10.2	0.233	0.4	69	63	0.3
DH C-4012	40-2X12	12	22	79.4	36.0	7.4	35	61	14.4	1.020	0.8	77	72	0.3
DH C-4014	40-2X14	12	28	79.4	36.0	7.4	43	69	14.4	1.924	1.1	84	75	0.4
DH C-4016	40-2X16	14	32	87.4	40.0	7.4	50	77	14.4	3.285	1.4	92	75	0.4
DH C-5014	50-2X14	16	35	99.7	45.0	9.7	53	86	18.1	6.010	2.2	101	85	0.5
DH C-5016	50-2X16	16	40	99.7	45.0	9.7	60	96	18.1	9.720	2.7	111	85	0.6
DH C-5018	50-2X18	16	45	99.7	45.0	9.7	70	106	18.1	15.420	3.8	122	85	0.8
DH C-6018	60-2X18	20	56	123.5	56.0	11.5	85	128	22.8	40.210	6.2	142	106	1.2
DH C-6020	60-2X20	20	60	123.5	56.0	11.5	98	140	22.8	62.870	7.8	158	105	1.6
DH C-6022	60-2X22	20	71	123.5	56.0	11.5	110	152	22.8	93.450	10.4	168	117	1.8
DH C-8018	80-2X18	20	80	141.2	63.0	15.2	110	170	29.3	142.030	12.7	190	129	2.5
DH C-8020	80-2X20	20	90	145.2	65.0	15.2	120	186	29.3	204.900	16.0	210	137	2.9
DH C-8022	80-2X22	20	100	157.2	71.0	15.2	140	202	29.3	341.170	20.2	226	137	3.6
DH C-10020	100-2X20	25	110	178.8	80.0	18.8	160	233	35.8	646.290	33.0	281	153	4.6
DH C-12018	120-2X18	35	125	202.7	90.0	22.7	170	256	45.4	1075.710	47.0	307	181	6.2
DH C-12022	120-2X22	35	140	222.7	100.0	22.7	210	304	45.4	2454.500	72.0	357	181	8.0

Coupling chains



Donghua Chain No.	Pitch	Roller diameter	Width between inner plates	Pin diameter	Pin length		Inner plate depth	Plate thickness	Transverse pitch	Ultimate tensile strength	Average tensile strength	Weight per piece
	p	d1 max	b1 min	d2 max	L max	Lc max	h2 max	T max	Pt	Q min	Q0	q
	mm	mm	mm	mm	mm	mm	mm	mm	mm	kN/lbf	kN	kg/pc
4012	12.700	7.95	7.85	3.96	31.0	32.2	12.00	1.50	14.38	28.2/6409	35.9	0.16
4014	12.700	7.95	7.85	3.96	31.0	32.2	12.00	1.50	14.38	28.2/6409	35.9	0.19
4016	12.700	7.95	7.85	3.96	31.0	32.2	12.00	1.50	14.38	28.2/6409	35.9	0.21
5014	15.875	10.16	9.40	5.08	38.9	40.4	15.09	2.03	18.11	44.4/10091	58.1	0.49
5016	15.875	10.16	9.40	5.08	38.9	40.4	15.09	2.03	18.11	44.4/10091	58.1	0.56
5018	15.875	10.16	9.40	5.08	38.9	40.4	15.09	2.03	18.11	44.4/10091	58.1	0.63
6018	19.050	11.91	12.57	5.94	48.8	50.5	18.00	2.42	22.78	63.6/14455	82.1	1.00
6020	19.050	11.91	12.57	5.94	48.8	50.5	18.00	2.42	22.78	63.6/14455	82.1	1.11
6022	19.050	11.91	12.57	5.94	48.8	50.5	18.00	2.42	22.78	63.6/14455	82.1	1.22
8018	25.400	15.88	15.75	7.92	62.7	64.3	24.00	3.25	29.29	113.4/25773	141.8	2.35
8020	25.400	15.88	15.75	7.92	62.7	64.3	24.00	3.25	29.29	113.4/25773	141.8	2.62
8022	25.400	15.88	15.75	7.92	62.7	64.3	24.00	3.25	29.29	113.4/25773	141.8	2.88
10018	31.750	19.05	18.90	9.53	76.4	80.5	30.00	4.00	35.76	177.0/40227	219.4	4.95
10022	31.750	19.05	18.90	9.53	76.4	80.5	30.00	4.00	35.76	177.0/40227	219.4	4.95
12018	38.100	22.23	25.22	11.10	95.8	99.7	35.70	4.80	45.44	254.0/57727	314.9	8.14
12022	38.100	22.23	25.22	11.10	95.8	99.7	35.70	4.80	45.44	254.0/57727	314.9	8.14

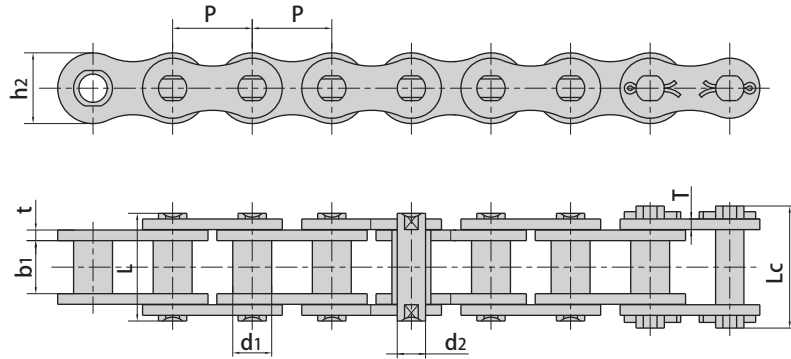
Coupling chains



Donghua Chain No.	Pitch	Roller diameter	Width between inner plates	Pin diameter	Pin length		Inner plate depth	Plate thickness	Ultimate tensile strength	Average tensile strength	Weight per meter
	P	d1 max	b1 min	d2 max	L max	Lc max	h2 max	T max	Q min	Q0	q
	mm	mm	mm	mm	mm	mm	mm	mm	kN/lbf	kN	kg/m
06BF27	9.525	6.35	18.80	3.28	26.5	28.2	8.20	1.30	9.00/2045	9.63	0.770
06BF31	9.525	6.35	16.40	3.28	23.4	24.4	8.20	1.30	9.00/2045	9.63	0.660
08AF36	12.700	7.95	21.70	3.96	30.8	32.1	12.00	1.50	13.80/3135.36	16.20	1.070
08BF97	12.700	8.51	15.50	4.45	24.8	26.2	11.80	1.60	18.00/4989.6	19.20	0.980
10AF13	15.875	10.16	16.31	5.08	27.6	29.1	15.09	2.03	22.20/5045	27.50	1.350
12AF2	19.050	11.91	19.10	5.94	32.6	34.4	18.00	2.42	31.80/7227	38.20	1.900
12AF6	19.050	11.91	18.80	5.94	31.9	33.5	18.00	2.42	31.80/7227	38.20	1.870
12AF26	19.050	11.91	19.36	5.94	31.9	33.5	18.00	2.42	31.80/7227	38.20	1.940
12AF54	19.050	11.91	19.50	5.84	31.9	31.9	18.00	2.29	31.10/7066	38.20	1.607
12AF34	19.050	11.91	19.00	5.94	31.9	31.9	18.00	2.42	31.10/7066	38.20	1.860
16AF25	25.400	15.88	25.58	7.92	42.4	43.9	24.00	3.25	56.70/12886	63.50	3.260
16AF40	25.400	15.88	70.00	7.92	87.6	91.1	24.00	3.25	56.70/12886	63.50	5.780
16AF46	25.400	15.88	36.00	7.92	53.3	56.8	24.00	3.25	56.70/12886	63.50	3.880
08BF129	12.700	8.51	35.80	4.45	45.1	46.1	11.80	1.60	18.00/4989.6	19.02	1.500
*10BF43	15.875	7.03	27.80	5.08	39.0	40.6	14.70	2.03	22.40/5090	25.76	1.140
*10BF43-S	15.875	10.00	27.80	5.08	39.0	40.6	14.70	2.03	22.40/5090	25.76	1.800
10BF21	15.875	10.16	42.83	5.08	52.7	54.1	14.70	1.70	22.00/5000	25.30	2.260

*The number of roller the specific application depends upon

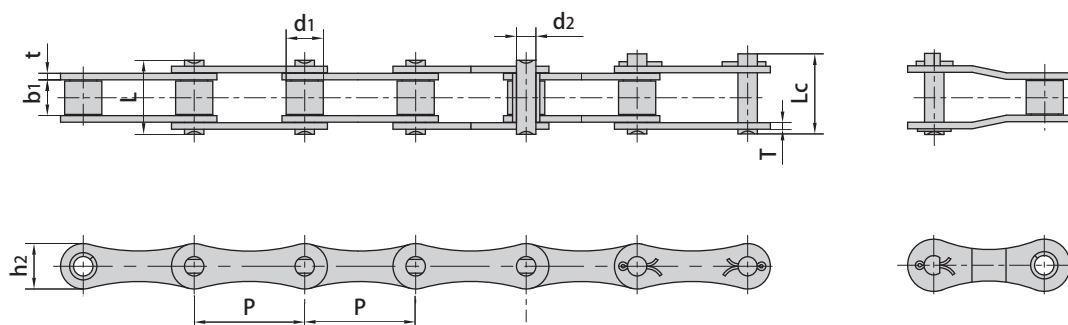
Bush chains



Donghua Chain No.	Pitch	Bush diameter	Width between inner plates	Pin diameter	Pin length		Plate depth	Plate thickness	Ultimate tensile strength	Average tensile strength	Weight per meter
	P mm	d1 max mm	b1 min mm	d2 max mm	L max mm	Lc max mm	h2 max mm	t/T max mm	Q min kN/lbf	Q0 min kN	q kg/m
P15F-B	15.00	9.00	14.0	6.0	25.3	30.0	14.0	2.03	12.5/2852.5	13.75	1.150
P19.05	19.05	12.7	12.5	7.5	31.6	33.6	20.0	4.15/3.25	50.0/11248	55.00	2.560
P20-B	20.00	12.0	16.0	8.0	33.0	36.0	18.0	3.00	25.0/5624	27.50	2.140
P20F3-B	20.00	12.0	16.0	8.0	33.0	36.0	19.0	3.00	25.0/5624	27.50	2.030
*PZ20-B	20.00	12.0	16.0	8.0	33.0	34.7	18.0	3.00	25.0/5624	27.50	2.253
P25-B	25.00	15.0	18.0	10.0	35.0	39.0	24.0	3.00	31.5/7086	34.70	3.170
P25F1-B	25.00	15.0	18.0	10.0	35.0	39.0	24.0	3.00	31.5/7086	34.70	2.670
P30F2-B	30.00	17.0	20.0	11.0	41.0	45.4	28.0	4.00	40.0/8998	44.00	4.250
P30F6-B	30.00	17.0	20.0	11.0	42.4	46.0	28.0	4.00	40.0/8998	44.00	3.750
P35F2-B	35.00	18.0	22.0	12.0	44.5	48.0	30.0	4.00	50.0/11248	55.00	4.330
P35F5-B	35.00	18.0	22.0	12.0	44.5	48.0	30.0	4.00	50.0/11248	55.00	3.770
P36-B	36.00	18.0	22.0	12.5	44.5	49.0	30.0	4.00	60.0/13497	66.00	4.200
P40-B	40.00	20.0	25.0	14.0	52.4	57.0	35.0	5.00	63.0/14172	69.30	5.430
P45-B	45.00	22.0	30.0	16.0	62.0	66.5	40.0	6.00	80.0/17996	88.00	7.540
P50-B	50.00	26.0	35.0	18.0	68.0	73.5	44.0	6.00	100.0/22495	110.00	8.900
*P50.8F7	50.80	18.5	25.0	14.5	53.5	57.5	40.0	5.00	120.0/26994	132.00	6.300
P55-B	55.00	30.0	45.0	20.0	88.0	93.5	49.0	8.00	125.0/28119	137.50	13.920
P55F1-B	55.00	30.0	45.0	20.0	88.0	110.0	49.0	8.00	125.0/28119	137.50	13.920
P60-B	60.00	32.0	50.0	22.0	94.1	99.5	55.0	8.00	160.0/35993	176.00	15.200
P70-B	70.00	30.0	65.0	30.0	117.0	130.0	67.0	10.00	250.0/57050	275.00	26.270
P80-B	80.00	44.0	70.0	32.0	131.0	150.0	75.0	12.00	315.0/71883	346.00	31.800

*Straight side plates

Double pitch transmission chains



DIN/ISO Chain No.	ANSI Chain No.	Pitch	Roller diameter	Width between inner plates	Pin diameter	Pin length		Inner plate depth	Plate thickness	Ultimate tensile strength	Average tensile strength	Weight per meter
		P	d1 max	b1 min	d2 max	L max	Lc max	h2 max	t/T max	Q min	Q0	q
		mm	mm	mm	mm	mm	mm	mm	mm	kN/lbf	kN	kg/m
208A	2040	25.40	7.95	7.85	3.96	16.6	17.8	12.0	1.50	14.1/3205	16.7	0.42
208B		25.40	8.51	7.75	4.45	16.7	18.2	11.8	1.60	18.0/4091	19.4	0.45
210A	2050	31.75	10.16	9.40	5.08	20.7	22.2	15.0	2.03	22.2/5045	28.1	0.73
210B		31.75	10.16	9.65	5.08	19.5	20.9	14.7	1.70	22.4/5091	27.5	0.65
212A	2060	38.10	11.91	12.57	5.94	25.9	27.7	18.0	2.42	31.8/7227	36.8	1.02
212B		38.10	12.07	11.68	5.72	22.5	25.2	16.0	1.85	29.0/6591	32.2	0.76
216A	2080	50.80	15.88	15.75	7.92	32.7	36.5	24.0	3.25	56.7/12886	65.7	1.70
216AH	2080H	50.80	15.88	15.75	7.92	36.2	39.4	24.0	4.00	56.7/12886	70.0	2.17
216B		50.80	15.88	17.02	8.28	36.1	39.1	21.0	4.15/3.1	60.0/13636	72.8	1.75
220A	2100	63.50	19.05	18.90	9.53	40.4	44.7	30.0	4.00	88.5/20114	102.6	2.55
220B		63.50	19.05	19.56	10.19	41.3	45.0	26.4	4.5/3.5	95.0/14773	106.7	2.62
224A	2120	76.20	22.23	25.22	11.10	50.3	54.3	35.7	4.80	127.0/28864	147.3	4.06
224B		76.20	25.40	25.40	14.63	53.4	57.8	33.2	6.0/4.8	160.0/36364	178.0	4.70
228B		88.90	27.94	30.99	15.90	65.1	69.5	36.7	7.5/6.0	200.0/45455	222.0	6.23
232B		101.60	29.21	30.99	17.81	66.0	71.0	42.0	7.0/6.0	250.0/56818	277.5	6.72