

Ammeraal Beltech Modular

Innovative belt and chain solutions
for every industry & application



Content

| | |
|----------------------|--------------|
| uni 440 Tab | page 7 - 8 |
| uni 820 | page 9 - 10 |
| uni 821 | page 11 - 12 |
| uni 831 | page 13 - 14 |
| uni 879 Super Flex | page 15 - 16 |
| uni 879 Tab R | page 17 - 18 |
| uni 879 Tab | page 19 - 20 |
| uni 879 | page 21 - 22 |
| uni 880 Super Flex | page 23 - 24 |
| uni 880 Tab R | page 25 - 26 |
| uni 880 Tab RT | page 27 - 28 |
| uni 880 Tab | page 29 - 30 |
| uni 880 | page 31 - 32 |
| uni 882 | page 33 - 34 |
| uni 882 Tab | page 35 - 36 |
| uni 800 Double Hinge | page 37 - 38 |
| uni 802 Double Hinge | page 39 - 40 |
| uni 810 Single Hinge | page 41 - 42 |
| uni 812 Single Hinge | page 43 - 44 |
| uni 815 Single Hinge | page 45 - 46 |
| uni 881 Bevel | page 47 - 48 |
| uni 881 Bevel v2 | page 49 - 50 |

Content

| | |
|----------------------------------------------|--------------|
| uni 881 Tab | page 51 - 52 |
| uni 881 Tab v2 | page 53 - 54 |
| uni 881 Tab v3 | page 55 - 56 |
| uni 805 Double Hinge (MTO) | page 57 - 58 |
| uni 810 Single Hinge (MTO) | page 59 - 60 |
| uni 812 Single Hinge (MTO) | page 61 - 62 |
| uni 815 Single Hinge (MTO) | page 63 - 64 |
| uni 881 Bevel (MTO) | page 65 - 66 |
| uni 881 Super Flex (MTO) | page 67 - 68 |
| uni 881 Super Flex (MTO) v2 | page 69 - 70 |
| uni 805 Plus+ Double Hinge | page 71 - 72 |
| uni 815 Plus+ Single Hinge | page 73 - 74 |
| uni 8811 Plus+ Magnetic | page 75 - 76 |
| uni 8811 Plus+ Tab | page 77 - 78 |
| uni 512 Plus+ Single Hinge (MTO) | page 79 - 80 |
| uni 815 Plus+ Single Hinge (MTO) | page 81 - 82 |
| uni 815 Plus+ Single Hinge Narrow (MTO) | page 83 - 84 |
| uni 815 Plus+ Single Hinge Optical (MTO) | page 85 - 86 |
| uni 8127 Plus+ Single Hinge Wide (MTO) | page 87 - 88 |
| uni 8811 Plus+ Bevel (MTO) | page 89 - 90 |
| uni 8811 Plus+ Magnetic (MTO) | page 91 - 92 |
| uni 8811 Plus+ Magnetic Optical (MTO) | page 93 - 94 |
| uni 8811 Plus+ Tab (MTO) | page 95 - 96 |
| uni 8817 Plus+ Magnetic Wide (MTO) | page 97 - 98 |

Content

| | |
|---------------------------|----------------|
| uni 843 | page 99 - 100 |
| uni 863 Tab | page 101 - 102 |
| uni 863 | page 103 - 104 |
| uni 963 Tab | page 105 - 106 |
| uni 963 | page 107 - 108 |
| uni 1843 | page 109 - 110 |
| uni 1873 Grip D | page 111 - 112 |
| uni 1873 Grip G3 | page 113 - 114 |
| uni 1873 Grip G4 | page 115 - 116 |
| uni 1873 Grip G4L | page 117 - 118 |
| uni 1873SE | page 119 - 120 |
| uni 1873 ST | page 121 - 122 |
| uni 1873 | page 123 - 124 |
| uni 3873 | page 125 - 126 |
| uni 843 SK | page 127 - 128 |
| uni 843 SKR | page 129 - 130 |
| uni 3200 | page 131 - 132 |
| uni 821 PRR | page 133 - 134 |
| uni 821 PRR4 | page 135 - 136 |
| uni 821 RO | page 137 - 138 |
| uni 879 Tab R G4 | page 139 - 140 |
| uni 879 Tab Safety | page 141 - 142 |
| uni 879 Tab Safety Finger | page 143 - 144 |
| uni 880 Rib Flex | page 145 - 146 |

Content

| | |
|-------------------|----------------|
| uni 880 Rib | page 147 - 148 |
| uni 882 Tab PRR | page 149 - 150 |
| uni 882 Tab PRR4 | page 151 - 152 |
| uni 882 Rib Flex | page 153 - 154 |
| uni 882 Tab SC | page 155 - 156 |
| uni 982 SC | page 157 - 158 |
| uni NH78 | page 159 - 160 |
| uni 1400 | page 161 - 162 |
| uni 1400 Tab | page 163 - 164 |
| uni 1700 | page 165 - 166 |
| uni 1701 | page 167 - 168 |
| uni 1701 Tab | page 169 - 170 |
| uni 1701 Tab R | page 171 - 172 |
| uni 1701 Tab R ST | page 173 - 174 |
| uni 1702 | page 175 - 176 |
| uni 1702 H | page 177 - 178 |
| uni 1702 M | page 179 - 180 |
| uni 1703 | page 181 - 182 |
| uni 1704 | page 183 - 184 |
| uni 1705 | page 185 - 186 |
| uni 1706 | page 187 - 188 |
| uni 1707 | page 189 - 190 |
| uni 2500 | page 191 - 192 |
| uni 2600 C | page 193 - 194 |

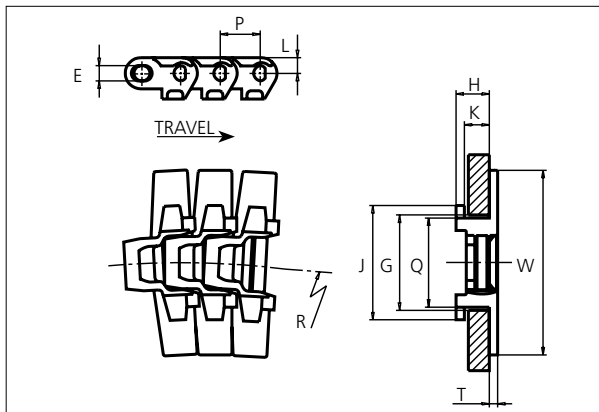
Content

| | |
|-------------------------------|----------------|
| uni 2600 CV | page 195 - 196 |
| uni 2600 Tab O | page 197 - 198 |
| uni 2600 Tab O M | page 199 - 200 |
| uni 2600 O | page 201 - 202 |
| uni 2600 OV | page 203 - 204 |
| uni 2600 Tab C | page 205 - 206 |
| uni 2700 | page 207 - 208 |
| uni 3200 Tab | page 209 - 210 |
| uni 2700 H | page 211 - 212 |
| uni 3000 | page 213 - 214 |
| uni 2800 Tab | page 215 - 216 |
| uni 2700 H R | page 217 - 218 |
| uni 2800 | page 219 - 220 |
| uni 2700 LH | page 221 - 222 |
| uni 2700 R | page 223 - 224 |
| uni 2600 O M | page 225 - 226 |
| Rubber Profile overview - pdf | page 227 - 230 |



Slat Top Plastic Chain

Series **uni 440** Type **Tab**



Slat Top Plastic Chain
 Side flexing chain
 Pitch: 19.1 mm (0.75 in)
 Backflex radius:
 12.5 mm (0.5 in)
 Permissible tensile strength:
 POM material:
 1100 N (247 lbf)

 Standard shipping lengths:
 boxes of 160 links
 = 3.048 m (10.0 ft)

| E | | G | | H | | J | | K | | L | | P | | Q | | T | |
|-----|------|------|------|------|------|------|------|------|------|-----|------|------|------|------|------|-----|------|
| mm | in | mm | in | mm | in | mm | in | mm | in | mm | in | mm | in | mm | in | mm | in |
| 7.4 | 0.29 | 44.5 | 1.75 | 15.9 | 0.63 | 55.0 | 2.17 | 11.9 | 0.47 | 7.5 | 0.30 | 19.1 | 0.75 | 42.9 | 1.69 | 4.0 | 0.16 |

All dimensions are for chains in POM material.

| | Width (W) | | Material & color | Pin material | Weight | | Min. radius (R) | |
|-------------|-----------|------|------------------|--------------|--------|-------|-----------------|------|
| | mm | in | | | kg/m | lb/ft | mm | in |
| K250 | 63.5 | 2.50 | POM-LF BR | SS304 | 1.2 | 0.81 | 175 | 6.89 |
| K325 | 82.6 | 3.25 | POM-LF BR | SS304 | 1.3 | 0.87 | 175 | 6.89 |
| K350 | 88.9 | 3.50 | POM-LF BR | SS304 | 1.3 | 0.87 | 175 | 6.89 |
| K450 | 114.3 | 4.50 | POM-LF BR | SS304 | 1.4 | 0.94 | 175 | 6.89 |
| K750 | 190.5 | 7.50 | POM-LF BR | SS304 | 1.6 | 1.07 | 175 | 6.89 |

Non standard material and color: See uni Material and Color Overview.
 Non standard pin material: See uni Material and Color Overview.

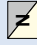
STANDARD

SIDE FLEXING

PITCH 19.1 MM/0.75 IN

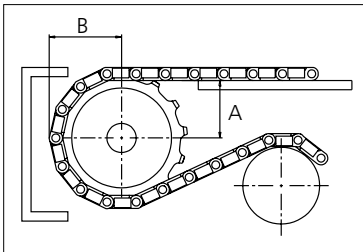


Sprocket

| No of teeth | Pitch diameter | | Overall diameter | | Min. ø bore | | Max. ø bore | | Hub diameter | | Dimension A | | Dimension B | | Machined  PAG |
|-------------|----------------|------|------------------|------|-------------|------|-------------|------|--------------|------|-------------|------|-------------|------|--------------------------------------------------------------------------------------------------|
| | mm | in | mm | in | mm | in | mm | in | mm | in | mm | in | mm | in | |
| Z9 | 55.8 | 2.20 | 57.0 | 2.20 | 10.0 | 0.40 | 25.0 | 1.00 | 37.0 | 1.50 | 29.8 | 1.20 | 35.6 | 1.40 | ✓ |
| Z12 | 73.8 | 2.91 | 76.0 | 3.00 | 10.0 | 0.40 | 30.0 | 1.20 | 56.0 | 2.20 | 39.2 | 1.50 | 44.5 | 1.80 | ✓ |
| Z20 | 122.1 | 4.81 | 125.3 | 4.90 | 18.0 | 0.70 | 70.0 | 2.80 | 105.0 | 4.10 | 63.8 | 2.50 | 68.6 | 2.70 | ✓ |

Non standard material and color:
See uni Material and Color Overview.

Machined sprocket



Please ensure that sufficient size shaft and keyway are chosen for corresponding load.

Other sprocket sizes are available upon request
Width of tooth: 15.8 mm/0.60 in
Width of sprocket: 25.0 mm/0.10 in
uni Retainer Rings: See uni Retainer Ring data sheet

uni 440 Tab/160615



Conveyor Belts



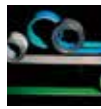
Seamless Belts



Modular Belts



Timing Belts



Transmission Belts



Fabrication & service

Solid advice
For all your belting needs
Local stock & service
www.ammeraalbeltech.com

Ammeraal Beltech Modular A/S
Hjulmagervej 21
DK-7100 Vejle

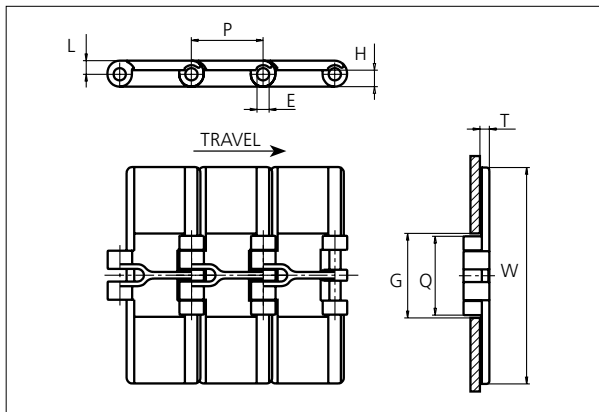
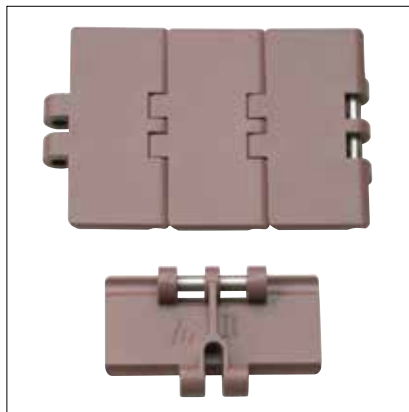
T +45 7572 3100
F +45 7572 3348
admin@unichains.com
www.unichains.com

This information is subject to alteration due to continuous development. Ammeraal Beltech will not be held liable for the incorrect use of the above stated information. This information replaces previous information. All activities performed and services rendered by Ammeraal Beltech are subject to general terms and conditions of sale and delivery, as applied by its operating companies.



Slat Top Plastic Chain

Series **uni 820** Type -



Slat Top Plastic Chain
 Straight running chain
 Pitch: 38.1 mm (1.50 in)
 Backflex radius:
 75.0 mm (3.00 in)
 Permissible tensile strength:
 POM material:
 2000 N (450 lbf)
 Standard shipping lengths:
 boxes of 80 links
 = 3.048 m (10.0 ft)

STANDARD

| E | | G | | H | | L | | P | | Q | | T | |
|-----|------|------|------|-----|------|-----|------|------|------|------|------|-----|------|
| mm | in | mm | in | mm | in | mm | in | mm | in | mm | in | mm | in |
| 6.4 | 0.25 | 44.5 | 1.75 | 9.5 | 0.37 | 7.1 | 0.28 | 38.1 | 1.50 | 41.5 | 1.63 | 4.0 | 0.16 |

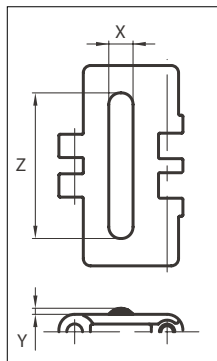
All dimensions are for chains in POM material.

| | Width (W) | | Material & color | Pin material | Weight | |
|-------------|-----------|------|------------------------------------------------------------------------------------------------------------|--------------|--------|-------|
| | mm | in | | | kg/m | lb/ft |
| K250 | 63.5 | 2.50 | POM-LF BR B | SS304 | 0.7 | 0.50 |
| K325 | 82.6 | 3.25 | POM-D W G POM-LF BR B POM-SLF DG PP-AR N PBT-GR K POM-EC K | SS304 | 0.9 | 0.57 |
| K350 | 88.9 | 3.50 | POM-LF BR B | SS304 | 0.9 | 0.60 |
| K400 | 101.6 | 4.00 | POM-D G POM-LF BR B | SS304 | 1.0 | 0.64 |
| K450 | 114.3 | 4.50 | POM-D W G POM-LF BR B | SS304 | 1.0 | 0.69 |
| K600 | 152.4 | 6.00 | POM-D G POM-LF BR B | SS304 | 1.3 | 0.84 |
| K750 | 190.5 | 7.50 | POM-D W G POM-LF BR B POM-SLF DG | SS304 | 1.5 | 0.99 |

Non standard material and color: See uni Material and Color Overview.
 Non standard pin material: See uni Material and Color Overview.

Accessories

Rubber Top



When ordering, please state the required distance between the Rubber Top.
 Other Non Standard rubber profiles:
 See uni Rubber Profile Overview.

| Width | Link material | Rubber material | Z | | X | | Y | |
|-------------|------------------|-----------------|-----|------|----|------|-----|------|
| | | | mm | in | mm | in | mm | in |
| K325 | POM-LF BR | 05 I | 60 | 2.36 | 10 | 0.39 | 2.5 | 0.10 |
| K350 | POM-LF BR | 05 I | 60 | 2.36 | 10 | 0.39 | 2.5 | 0.10 |
| K400 | POM-LF BR | 05 I | 90 | 3.54 | 10 | 0.39 | 2.5 | 0.10 |
| K450 | POM-LF BR | 05 I | 105 | 4.13 | 10 | 0.39 | 2.5 | 0.10 |
| K600 | POM-LF BR | 05 I | 130 | 5.12 | 10 | 0.39 | 2.5 | 0.10 |
| K750 | POM-LF BR | 05 I | 170 | 6.69 | 10 | 0.39 | 2.5 | 0.10 |

STRAIGHT RUNNING

PITCH 38.1 MM/1.50 IN



Sprocket

| No. of teeth | Pitch diameter | | Overall diameter | | Min. ø bore | | Max. ø bore | | Hub diameter | | Dimension A | | Dimension B | | Molded PA6 LG | Molded Cast Iron | Machined PA6 LG |
|--------------|----------------|------|------------------|------|-------------|------|-------------|------|--------------|------|-------------|------|-------------|------|---------------|------------------|-----------------|
| | mm | in | mm | in | mm | in | mm | in | mm | in | mm | in | mm | in | | | |
| Z19 | 117.3 | 4.62 | 117.0 | 4.61 | 20.0 | 0.79 | 40.0 | 1.57 | 58.0 | 2.28 | 58.7 | 2.31 | 65.9 | 2.59 | ✓ | ✓ | |
| Z21 | 129.2 | 5.09 | 130.0 | 5.12 | 20.0 | 0.79 | 40.0 | 1.57 | 58.0 | 2.28 | 65.0 | 2.56 | 71.8 | 2.83 | ✓ | ✓ | |
| Z23 | 141.2 | 5.56 | 142.0 | 5.59 | 20.0 | 0.79 | 40.0 | 1.57 | 58.0 | 2.28 | 71.2 | 2.80 | 77.8 | 3.06 | ✓ | ✓ | |
| Z25 | 153.2 | 6.03 | 155.0 | 6.10 | 20.0 | 0.79 | 40.0 | 1.57 | 58.0 | 2.28 | 77.4 | 3.05 | 83.8 | 3.30 | ✓ | ✓ | |
| Z27 | 165.2 | 6.50 | 167.0 | 6.57 | 20.0 | 0.79 | 70.0 | 2.76 | - | - | 83.6 | 3.29 | 89.8 | 3.54 | | ✓ | ✓ |
| Z29 | 177.2 | 6.98 | 179.0 | 7.05 | 20.0 | 0.79 | 70.0 | 2.76 | - | - | 89.8 | 3.54 | 95.8 | 3.77 | | ✓ | ✓ |
| Z31 | 189.3 | 7.45 | 192.0 | 7.56 | 20.0 | 0.79 | 70.0 | 2.76 | - | - | 95.9 | 3.78 | 101.8 | 4.01 | | ✓ | ✓ |

Two part sprocket

| No. of teeth | Pitch diameter | | Overall diameter | | Min. ø bore | | Max. ø bore | | Hub diameter | | Dimension A | | Dimension B | | Molded PA6 LG |
|--------------|----------------|------|------------------|------|-------------|------|-------------|------|--------------|------|-------------|------|-------------|------|---------------|
| | mm | in | mm | in | mm | in | mm | in | mm | in | mm | in | mm | in | |
| Z19 | 117.3 | 4.62 | 117.0 | 4.31 | 20.0 | 0.79 | 40.0 | 1.57 | 58.0 | 2.28 | 58.7 | 2.31 | 65.9 | 2.59 | ✓ |
| Z21 | 129.2 | 5.09 | 130.0 | 4.81 | 20.0 | 0.79 | 40.0 | 1.57 | 58.0 | 2.28 | 65.0 | 2.56 | 71.8 | 2.83 | ✓ |
| Z23 | 141.2 | 5.56 | 142.0 | 5.30 | 20.0 | 0.79 | 40.0 | 1.57 | 58.0 | 2.28 | 71.2 | 2.80 | 77.8 | 3.06 | ✓ |
| Z25 | 153.2 | 6.03 | 155.0 | 5.79 | 20.0 | 0.79 | 40.0 | 1.57 | 58.0 | 2.28 | 77.4 | 3.05 | 83.8 | 3.30 | ✓ |

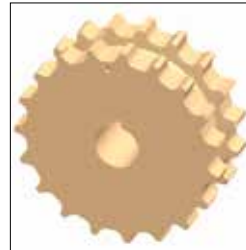
Molded sprocket



Cast iron sprocket



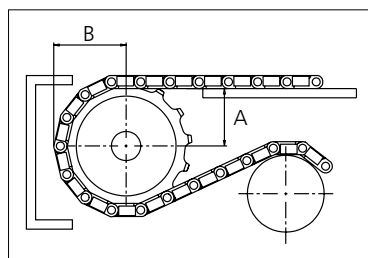
Machined sprocket



Two part sprocket



Non standard material and color:
See uni Material and Color Overview.



Please ensure that sufficient size shaft and keyway are chosen for corresponding load.

Other sprocket sizes are available upon request

Width of tooth: 42.3 mm/1.70 in

Width of sprocket: 42.3 mm/1.70 in

uni Retainer Rings: See uni Retainer Ring data sheet

uni Idler: See uni Idler data sheet

uni 820/160615



Conveyor Belts



Seamless Belts



Modular Belts



Timing Belts



Transmission Belts



Fabrication & service

Expert advice, quality solutions and local service for all your belting needs
www.ammeraalbeltech.com

Ammeraal Beltech Modular A/S
Hjulmagervej 21
DK-7100 Vejle

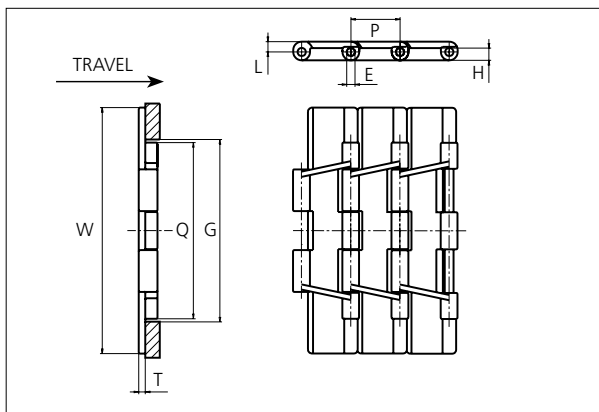
T +45 7572 3100
F +45 7572 3348
admin@unichains.com
www.unichains.com

This information is subject to alteration due to continuous development. Ammeraal Beltech will not be held liable for the incorrect use of the above stated information. This information replaces previous information. All activities performed and services rendered by Ammeraal Beltech are subject to general terms and conditions of sale and delivery, as applied by its operating companies.



Slat Top Plastic Chain

Series **uni 821** Type -



Slat Top Plastic Chain
 Straight running chain
 Pitch: 38.1 mm (1.50 in)
 Backflex radius:
 75.0 mm (3.00 in)
 Permissible tensile strength:
 POM material 3000 N (674 lbf)

 Standard shipping lengths:
 boxes of 80 links
 = 3.048 m (10.0 ft)

STANDARD

| E | | G | | H | | L | | P | | Q | | T | |
|-----|------|-------|------|-----|------|-----|------|------|------|-------|------|-----|------|
| mm | in | mm | in | mm | in | mm | in | mm | in | mm | in | mm | in |
| 6.4 | 0.25 | 140.0 | 5.51 | 9.5 | 0.37 | 8.0 | 0.31 | 38.1 | 1.50 | 136.5 | 5.37 | 5.0 | 0.20 |

All dimensions are for chains in POM material.

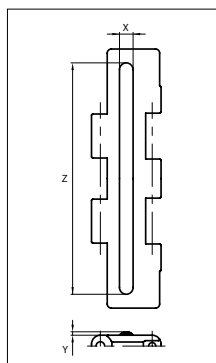
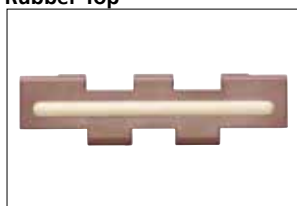
| | Width (W) | | Material & color | Pin material | Weight | |
|--------------|-----------|-------|---------------------------------|--------------|--------|-------|
| | mm | in | | | kg/m | lb/ft |
| K750 | 190.5 | 7.50 | POM-D G POM-LF BR | SS304 | 2.6 | 1.74 |
| | | | POM-SLF DG | | | |
| K1000 | 254.0 | 10.00 | POM-D G POM-LF BR | SS304 | 3.1 | 2.08 |
| | | | POM-SLF DG | | | |
| K1200 | 304.8 | 12.00 | POM-D G POM-LF BR | SS304 | 3.4 | 2.29 |

Non standard material and color: See uni Material and Color Overview.

Non standard pin material: See uni Material and Color Overview.

Accessories

Rubber Top



When ordering, please state the required distance between the Rubber Top.

Other Non Standard rubber profiles:
 See uni Rubber Profile Overview.

| Width | Link material | Rubber material | Z | | X | | Y | |
|--------------|------------------|-----------------|-----|-------|----|------|-----|------|
| | | | mm | in | mm | in | mm | in |
| K750 | POM-LF BR | 05 I | 170 | 6.69 | 10 | 0.39 | 2.5 | 0.09 |
| K1000 | POM-LF BR | 05 I | 200 | 7.87 | 10 | 0.39 | 2.5 | 0.09 |
| K1200 | POM-LF BR | 05 I | 295 | 11.61 | 8 | 0.31 | 2.5 | 0.09 |

STRAIGHT RUNNING

PITCH 38.1 MM/1.50 IN

Sprocket

| No. of teeth | Pitch diameter | | Overall diameter | | Min. ø bore | | Max. ø bore | | Hub diameter | | Dimension A | | Dimension B | | Molded Cast Iron | Machined PA6 |
|--------------|----------------|------|------------------|------|-------------|------|-------------|------|--------------|----|-------------|------|-------------|------|------------------|--------------|
| | mm | in | mm | in | mm | in | mm | in | mm | in | mm | in | mm | in | | |
| Z19 | 117.3 | 4.62 | 117.0 | 4.61 | 20.0 | 0.79 | 70.0 | 2.76 | 0 | 0 | 58.7 | 2.31 | 64.5 | 2.54 | | ✓ |
| Z21 | 129.2 | 5.09 | 130.0 | 5.12 | 20.0 | 0.79 | 70.0 | 2.76 | 0 | 0 | 65.0 | 2.56 | 70.5 | 2.78 | ✓ | ✓ |
| Z23 | 141.2 | 5.56 | 142.0 | 5.59 | 20.0 | 0.79 | 70.0 | 2.76 | 0 | 0 | 71.2 | 2.80 | 76.5 | 3.01 | ✓ | ✓ |
| Z25 | 153.2 | 6.03 | 155.0 | 6.10 | 20.0 | 0.79 | 70.0 | 2.76 | 0 | 0 | 77.4 | 3.05 | 82.5 | 3.25 | ✓ | ✓ |
| Z27 | 165.2 | 6.50 | 167.0 | 6.57 | 20.0 | 0.79 | 100.0 | 3.93 | 0 | 0 | 83.6 | 3.29 | 88.5 | 3.48 | ✓ | ✓ |
| Z29 | 177.2 | 6.98 | 179.0 | 7.05 | 20.0 | 0.79 | 110.0 | 4.33 | 0 | 0 | 89.8 | 3.54 | 94.6 | 3.72 | ✓ | ✓ |
| Z31 | 189.3 | 7.45 | 192.0 | 7.56 | 20.0 | 0.79 | 120.0 | 4.72 | 0 | 0 | 95.9 | 3.78 | 100.6 | 3.96 | ✓ | ✓ |

Two part sprocket

| No. of teeth | Pitch diameter | | Overall diameter | | Min. ø bore | | Max. ø bore | | Hub diameter | | Dimension A | | Dimension B | | Molded PA6 LG |
|--------------|----------------|------|------------------|------|-------------|------|-------------|------|--------------|------|-------------|------|-------------|------|---------------|
| | mm | in | mm | in | mm | in | mm | in | mm | in | mm | in | mm | in | |
| Z25 | 153.2 | 6.03 | 155.0 | 6.10 | 30.0 | 1.18 | 40.0 | 1.57 | 58.0 | 2.28 | 77.4 | 3.05 | 82.5 | 3.25 | ✓ |

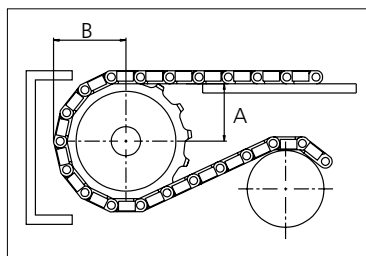
Cast iron sprocket



Machined sprocket



Molded two part sprocket



Please ensure that sufficient size shaft and keyway are chosen for corresponding load.

Other sprocket sizes are available upon request

Width of tooth: 79.4 mm/3.13 in

Width of sprocket: 79.4 mm/3.13 in

uni Retainer Rings: See uni Retainer Ring data sheet

uni Idler: See uni Idler data sheet

uni Guide Rings can be mounted on cast iron and machined sprockets. See uni Guide Rings data sheet.

Non standard material and color:
See uni Material and Color Overview.



Conveyor Belts



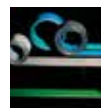
Seamless Belts



Modular Belts



Timing Belts



Transmission Belts



Fabrication & service

Expert advice, quality solutions and local service for all your belting needs
www.ammeraalbeltech.com

Ammeraal Beltech Modular A/S
Hjulmagervej 21
DK-7100 Vejle

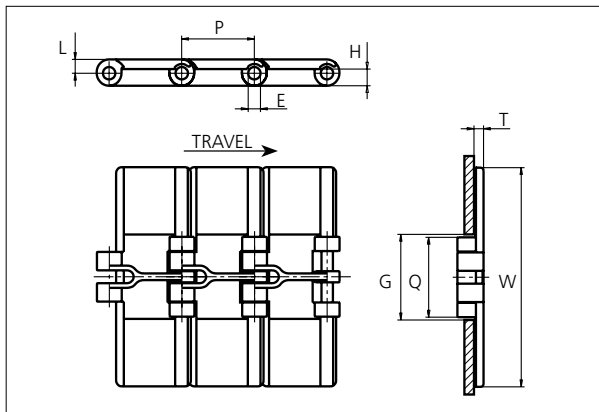
T +45 7572 3100
F +45 7572 3348
admin@unichains.com
www.unichains.com

This information is subject to alteration due to continuous development. Ammeraal Beltech will not be held liable for the incorrect use of the above stated information. This information replaces previous information. All activities performed and services rendered by Ammeraal Beltech are subject to general terms and conditions of sale and delivery, as applied by its operating companies.



Slat Top Plastic Chain

Series **uni 831** Type -



Slat Top Plastic Chain
 Straight running chain
 Pitch: 38.1 mm (1.50 in)
 Backflex radius:
 75.0 mm (3.00 in)
 Permissible tensile strength:
 POM material:
 2000 N (450 lbf)

 Standard shipping lengths:
 boxes of 80 links
 = 3.048 m (10.0 ft)

STANDARD

| E | | G | | H | | L | | P | | Q | | T | |
|-----|------|------|------|-----|------|-----|------|------|------|------|------|-----|------|
| mm | in | mm | in | mm | in | mm | in | mm | in | mm | in | mm | in |
| 6.4 | 0.25 | 44.5 | 1.75 | 8.5 | 0.33 | 7.1 | 0.28 | 38.1 | 1.50 | 41.5 | 1.63 | 5.0 | 0.20 |

All dimensions are for chains in POM material

| | Width (W) | | Material & color | Pin material | Weight | |
|-------------|-----------|------|--------------------------------------|--------------|--------|-------|
| | mm | in | | | kg/m | lb/ft |
| K250 | 63.5 | 2.50 | - | - | - | - |
| K325 | 82.6 | 3.25 | POM-LF BR POM-SLF G | SS304 | 1.0 | 0.67 |
| K350 | 88.9 | 3.50 | - | - | - | - |
| K400 | 101.6 | 4.00 | POM-LF BR | SS304 | 1.2 | 0.81 |
| K450 | 114.3 | 4.50 | POM-LF BR | SS304 | 1.3 | 0.87 |
| K600 | 152.4 | 6.00 | POM-LF BR | SS304 | 1.6 | 1.05 |
| K750 | 190.5 | 7.50 | POM-LF BR | SS304 | 1.8 | 1.21 |

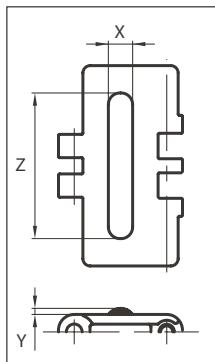
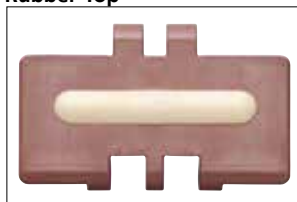
Non standard material and color: See uni Material and Color Overview.
 Non standard pin material: See uni Material and Color Overview.

STRAIGHT RUNNING

PITCH 38.1 MM/1.50 IN

Accessories

Rubber Top



When ordering, please state the required distance between the Rubber Top.
 Other Non Standard rubber profiles:
 See uni Rubber Profile Overview.

| Width | Link material | Rubber material | Z | | X | | Y | |
|-------------|------------------|-----------------|-----|------|----|------|-----|------|
| | | | mm | in | mm | in | mm | in |
| K325 | POM-LF BR | 05 I | 60 | 2.36 | 10 | 0.39 | 2.5 | 0.10 |
| K350 | POM-LF BR | 05 I | 60 | 2.36 | 10 | 0.39 | 2.5 | 0.10 |
| K400 | POM-LF BR | 05 I | 90 | 3.54 | 10 | 0.39 | 2.5 | 0.10 |
| K450 | POM-LF BR | 05 I | 105 | 4.13 | 10 | 0.39 | 2.5 | 0.10 |
| K600 | POM-LF BR | 05 I | 130 | 5.12 | 10 | 0.39 | 2.5 | 0.10 |
| K750 | POM-LF BR | 05 I | 170 | 6.69 | 10 | 0.39 | 2.5 | 0.10 |



Sprocket

| No. of teeth | Pitch diameter | | Overall diameter | | Min. ø bore | | Max. ø bore | | Hub diameter | | Dimension A | | Dimension B | | Molded PA6 LG | Molded Cast Iron | Machined PA6 LG |
|--------------|----------------|------|------------------|------|-------------|------|-------------|------|--------------|------|-------------|------|-------------|------|---------------|------------------|-----------------|
| | mm | in | mm | in | mm | in | mm | in | mm | in | mm | in | mm | in | | | |
| Z19 | 117.3 | 4.62 | 117.0 | 4.61 | 20.0 | 0.79 | 40.0 | 1.57 | 58.0 | 2.28 | 58.7 | 2.31 | 65.9 | 2.59 | ✓ | ✓ | |
| Z21 | 129.2 | 5.09 | 130.0 | 5.12 | 20.0 | 0.79 | 40.0 | 1.57 | 58.0 | 2.28 | 65.0 | 2.56 | 71.8 | 2.83 | ✓ | ✓ | |
| Z23 | 141.2 | 5.56 | 142.0 | 5.59 | 20.0 | 0.79 | 40.0 | 1.57 | 58.0 | 2.28 | 71.2 | 2.80 | 77.8 | 3.06 | ✓ | ✓ | |
| Z25 | 153.2 | 6.03 | 155.0 | 6.10 | 20.0 | 0.79 | 40.0 | 1.57 | 58.0 | 2.28 | 77.4 | 3.05 | 83.8 | 3.30 | ✓ | ✓ | |
| Z27 | 165.2 | 6.50 | 167.0 | 6.57 | 20.0 | 0.79 | 70.0 | 2.76 | - | - | 83.6 | 3.29 | 89.8 | 3.54 | | ✓ | ✓ |
| Z29 | 177.2 | 6.98 | 179.0 | 7.05 | 20.0 | 0.79 | 70.0 | 2.76 | - | - | 89.8 | 3.54 | 95.8 | 3.77 | | ✓ | ✓ |
| Z31 | 189.3 | 7.45 | 192.0 | 7.56 | 20.0 | 0.79 | 70.0 | 2.76 | - | - | 95.9 | 3.78 | 101.8 | 4.01 | | ✓ | ✓ |

Two part sprocket

| No. of teeth | Pitch diameter | | Overall diameter | | Min. ø bore | | Max. ø bore | | Hub diameter | | Dimension A | | Dimension B | | Molded PA6 LG |
|--------------|----------------|------|------------------|------|-------------|------|-------------|------|--------------|------|-------------|------|-------------|------|---------------|
| | mm | in | mm | in | mm | in | mm | in | mm | in | mm | in | mm | in | |
| Z19 | 117.3 | 4.62 | 117.0 | 4.31 | 20.0 | 0.79 | 40.0 | 1.57 | 58.0 | 2.28 | 58.7 | 2.31 | 65.9 | 2.59 | ✓ |
| Z21 | 129.2 | 5.09 | 130.0 | 4.81 | 20.0 | 0.79 | 40.0 | 1.57 | 58.0 | 2.28 | 65.0 | 2.56 | 71.8 | 2.83 | ✓ |
| Z23 | 141.2 | 5.56 | 142.0 | 5.30 | 20.0 | 0.79 | 40.0 | 1.57 | 58.0 | 2.28 | 71.2 | 2.80 | 77.8 | 3.06 | ✓ |
| Z25 | 153.2 | 6.03 | 155.0 | 5.79 | 20.0 | 0.79 | 40.0 | 1.57 | 58.0 | 2.28 | 77.4 | 3.05 | 83.8 | 3.30 | ✓ |

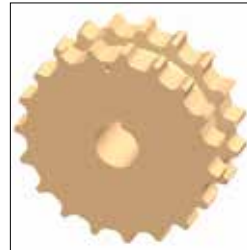
Molded sprocket



Cast iron sprocket



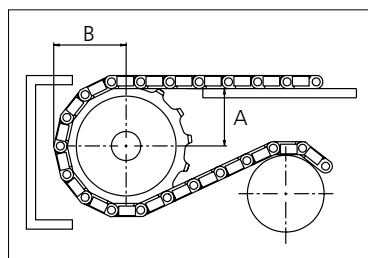
Machined sprocket



Two part sprocket



Non standard material and color:
See uni Material and Color Overview.



Please ensure that sufficient size shaft and keyway are chosen for corresponding load.

Other sprocket sizes are available upon request

Width of tooth: 42.3 mm/1.70 in

Width of sprocket: 42.3 mm/1.70 in

uni Retainer Rings: See uni Retainer Ring data sheet

uni Idler: See uni Idler data sheet

uni 831/160616



Solid advice
For all your belting needs
Local stock & service
www.ammeraalbeltech.com

Ammeraal Beltech Modular A/S
Hjulmagervej 21
DK-7100 Vejle

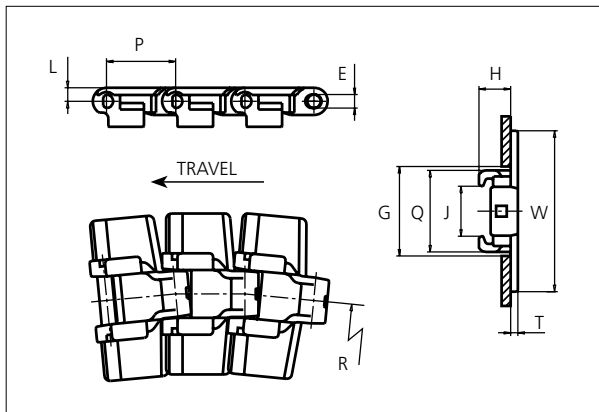
T +45 7572 3100
F +45 7572 3348
admin@unichains.com
www.unichains.com

This information is subject to alteration due to continuous development. Ammeraal Beltech will not be held liable for the incorrect use of the above stated information. This information replaces previous information. All activities performed and services rendered by Ammeraal Beltech are subject to general terms and conditions of sale and delivery, as applied by its operating companies.



Slat Top Plastic Chain

Series **uni 879** Type **Super Flex**



Slat Top Plastic Chain
 Side flexing chain
 Pitch: 38.1 mm (1.50 in)
 Backflex radius:
 75.0 mm (3.00 in)
 Permissible tensile strength:
 POM material: 2250 N (506 lbf)

 Standard shipping lengths:
 boxes of 80 links
 = 3.048 m (10.0 ft)

| E | | G | | H | | J | | L | | P | | Q | | T | |
|-----|------|------|------|------|------|------|------|-----|------|------|------|------|------|-----|------|
| mm | in | mm | in | mm | in | mm | in | mm | in | mm | in | mm | in | mm | in |
| 7.0 | 0.28 | 46.0 | 1.81 | 17.5 | 0.69 | 27.5 | 1.08 | 7.5 | 0.30 | 38.1 | 1.50 | 42.3 | 1.67 | 5.0 | 0.20 |

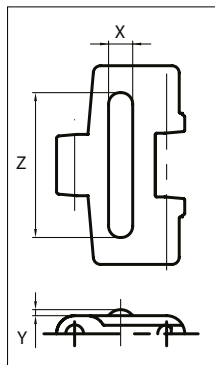
All dimensions are for chains in POM material.

| | Width (W) | | Recommended Material & color | Pin material | Weight | | Min. radius (R) | |
|-------------|-----------|------|---------------------------------------------------------------------|--------------|--------|-------|-----------------|-------|
| | mm | in | | | kg/m | lb/ft | mm | in |
| K450 | 114.3 | 4.50 | POM-D W POM-D G POM-LF BR POM-SLF DG | SS304 | 1.1 | 0.67 | 610 | 24.02 |

Non standard material and color: See uni Material and Color Overview.
 Non standard pin material: See uni Material and Color Overview.

Accessories

Rubber Top



When ordering, please state the required distance between the Rubber Top.

Other Non Standard rubber profiles:
 See uni Rubber Profile Overview.

| Width | Link material | Rubber material | Z | | X | | Y | |
|-------------|------------------|-----------------|----|------|----|------|-----|------|
| | | | mm | in | mm | in | mm | in |
| K450 | POM-LF BR | 05 I | 90 | 3.54 | 10 | 0.39 | 2.5 | 0.10 |

NON STANDARD

SIDE FLEXING

PITCH 38.1 MM/1.50 IN

Sprocket

| No. of teeth | Pitch diameter | | Overall diameter | | Min. ø bore | | Max. ø bore | | Hub diameter | | Dimension A | | Dimension B | | Molded PA6 LG | Molded Cast Iron |
|--------------|----------------|------|------------------|------|-------------|------|-------------|------|--------------|------|-------------|------|-------------|------|---------------|------------------|
| | mm | in | mm | in | mm | in | mm | in | mm | in | mm | in | mm | in | | |
| Z9 | 111.4 | 4.39 | 109.7 | 4.32 | 20.0 | 0.80 | 40.0 | 1.60 | 70.0 | 2.76 | 55.9 | 2.20 | 63.2 | 2.49 | ✓ | ✓ |
| Z10 | 123.3 | 4.85 | 122.3 | 4.81 | 20.0 | 0.80 | 40.0 | 1.60 | 70.0 | 2.76 | 62.2 | 2.45 | 69.2 | 2.72 | ✓ | ✓ |
| Z11 | 135.2 | 5.32 | 134.8 | 5.31 | 20.0 | 0.80 | 40.0 | 1.60 | 70.0 | 2.76 | 68.4 | 2.69 | 75.1 | 2.96 | ✓ | ✓ |
| Z12 | 147.2 | 5.80 | 147.2 | 5.80 | 20.0 | 0.80 | 40.0 | 1.60 | 70.0 | 2.76 | 74.6 | 2.94 | 81.1 | 3.19 | ✓ | ✓ |
| Z15 | 183.3 | 7.22 | 184.3 | 7.26 | 20.0 | 0.80 | 40.0 | 1.60 | 70.0 | 2.76 | 93.2 | 3.67 | 99.2 | 3.91 | ✓ | ✓ |

Two part sprocket

| No. of teeth | Pitch diameter | | Overall diameter | | Min. ø bore | | Max. ø bore | | Hub diameter | | Dimension A | | Dimension B | | Molded PA6 LG |
|--------------|----------------|------|------------------|------|-------------|------|-------------|------|--------------|------|-------------|------|-------------|------|---------------|
| | mm | in | mm | in | mm | in | mm | in | mm | in | mm | in | mm | in | |
| Z9 | 111.4 | 4.39 | 109.7 | 4.32 | 20.0 | 0.80 | 40.0 | 1.60 | 70.0 | 2.76 | 55.9 | 2.20 | 63.2 | 2.49 | ✓ |
| Z10 | 123.3 | 4.85 | 122.3 | 4.81 | 20.0 | 0.80 | 40.0 | 1.60 | 70.0 | 2.76 | 62.2 | 2.45 | 69.2 | 2.72 | ✓ |
| Z11 | 135.2 | 5.32 | 134.8 | 5.31 | 20.0 | 0.80 | 40.0 | 1.60 | 70.0 | 2.76 | 68.4 | 2.69 | 75.1 | 2.96 | ✓ |
| Z12 | 147.2 | 5.80 | 147.2 | 5.80 | 20.0 | 0.80 | 40.0 | 1.60 | 70.0 | 2.76 | 74.6 | 2.94 | 81.1 | 3.19 | ✓ |

Non standard material and color:
See uni Material and Color Overview.

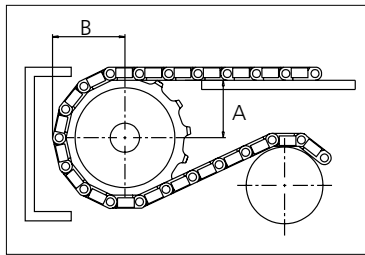
Molded sprocket



Cast iron sprocket



Molded two part sprocket



Please ensure that sufficient size shaft and keyway are chosen for corresponding load.

Other sprocket sizes are available upon request
Width of tooth: 15.8 mm/0.62 in
Width of sprocket: 42.3 mm/1.67 in
uni Retainer Rings: See uni Retainer Ring data sheet
uni Idler: See uni Idler data sheet



Solid advice
For all your belting needs
Local stock & service
www.ammeraalbeltech.com

Ammeraal Beltech Modular A/S
Hjulmagervej 21
DK-7100 Vejle

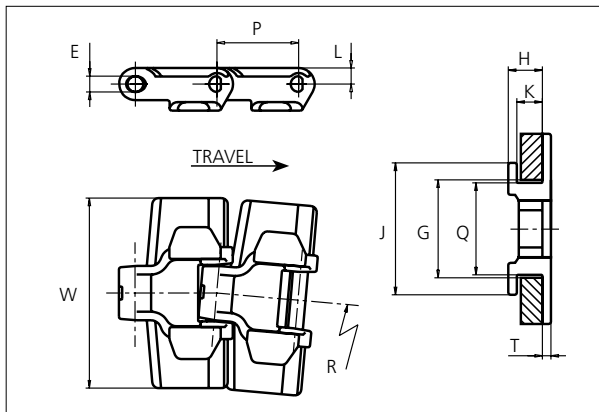
T +45 7572 3100
F +45 7572 3348
admin@unichains.com
www.unichains.com

This information is subject to alteration due to continuous development. Ammeraal Beltech will not be held liable for the incorrect use of the above stated information. This information replaces previous information. All activities performed and services rendered by Ammeraal Beltech are subject to general terms and conditions of sale and delivery, as applied by its operating companies.



Slat Top Plastic Chain

Series **uni 879** Type **Tab R**



Slat Top Plastic Chain
 Side flexing chain
 Pitch: 38.1 mm (1.50 in)
 Backflex radius:
 75.0 mm (3.00 in)
 Permissible tensile strength:
 POM material:
 2250 N (506 lbf)
 Standard shipping lengths:
 boxes of 80 links
 = 3.048 m (10.0 ft)

| E | | G | | H | | J | | K | | L | | P | | Q | | T | |
|-----|------|------|------|------|------|------|------|------|------|-----|------|------|------|------|------|-----|------|
| mm | in | mm | in | mm | in | mm | in | mm | in | mm | in | mm | in | mm | in | mm | in |
| 7.1 | 0.28 | 44.5 | 1.75 | 15.9 | 0.63 | 61.5 | 2.42 | 11.9 | 0.47 | 8.5 | 0.33 | 38.1 | 1.50 | 43.1 | 1.70 | 5.0 | 0.20 |

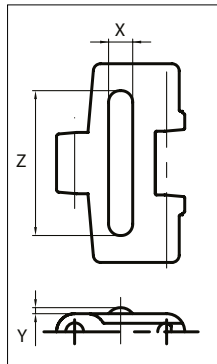
All dimensions are for chains in POM material.

| | Width (W) | | Material & color | Pin material | Weight | | Min. radius (R) | |
|-------------|-----------|------|------------------|--------------|--------|-------|-----------------|------|
| | mm | in | | | kg/m | lb/ft | mm | in |
| K325 | 82.6 | 3.25 | POM-LF BR | SS304 | 0.9 | 0.61 | 200 | 7.87 |
| K450 | 114.3 | 4.50 | POM-LF BR | SS304 | 1.2 | 0.81 | 200 | 7.87 |

Non standard material and color: See uni Material and Color Overview.
 Non standard pin material: See uni Material and Color Overview.

Accessories

Rubber Top



When ordering, please state the required distance between the Rubber Top.

Other Non Standard rubber profiles:
 See uni Rubber Profile Overview.

| Width | Link material | Rubber material | Z | | X | | Y | |
|-------------|------------------|-----------------|----|------|----|------|-----|------|
| | | | mm | in | mm | in | mm | in |
| K325 | POM-LF BR | 05 I | 60 | 2.36 | 10 | 0.39 | 2.5 | 0.10 |

STANDARD

SIDE FLEXING

PITCH 38.1 MM/1.50 IN



Sprocket

| No. of teeth | Pitch diameter | | Overall diameter | | Min. ø bore | | Max. ø bore | | Hub diameter | | Dimention A | | Dimention B | | Molded PA6 LG | Molded Cast Iron |
|--------------|----------------|------|------------------|------|-------------|------|-------------|------|--------------|------|-------------|------|-------------|------|---------------|------------------|
| | mm | in | mm | in | mm | in | mm | in | mm | in | mm | in | mm | in | | |
| Z9 | 111.4 | 4.39 | 109.7 | 4.32 | 20.0 | 0.80 | 40.0 | 1.60 | 70.0 | 2.76 | 55.9 | 2.20 | 63.2 | 2.49 | ✓ | ✓ |
| Z10 | 123.3 | 4.85 | 122.3 | 4.81 | 20.0 | 0.80 | 40.0 | 1.60 | 70.0 | 2.76 | 62.2 | 2.45 | 69.2 | 2.72 | ✓ | ✓ |
| Z11 | 135.2 | 5.32 | 134.8 | 5.31 | 20.0 | 0.80 | 40.0 | 1.60 | 70.0 | 2.76 | 68.4 | 2.69 | 75.1 | 2.96 | ✓ | ✓ |
| Z12 | 147.2 | 5.80 | 147.2 | 5.80 | 20.0 | 0.80 | 40.0 | 1.60 | 70.0 | 2.76 | 74.6 | 2.94 | 81.1 | 3.19 | ✓ | ✓ |
| Z15 | 183.3 | 7.22 | 184.3 | 7.26 | 20.0 | 0.80 | 40.0 | 1.60 | 70.0 | 2.76 | 93.2 | 3.67 | 99.2 | 3.91 | ✓ | ✓ |

Two part sprocket

| No. of teeth | Pitch diameter | | Overall diameter | | Min. ø bore | | Max. ø bore | | Hub diameter | | Dimention A | | Dimention B | | Molded PA6 LG |
|--------------|----------------|------|------------------|------|-------------|------|-------------|------|--------------|------|-------------|------|-------------|------|---------------|
| | mm | in | mm | in | mm | in | mm | in | mm | in | mm | in | mm | in | |
| Z9 | 111.4 | 4.39 | 109.7 | 4.32 | 20.0 | 0.80 | 40.0 | 1.60 | 70.0 | 2.76 | 55.9 | 2.20 | 63.2 | 2.49 | ✓ |
| Z10 | 123.3 | 4.85 | 122.3 | 4.81 | 20.0 | 0.80 | 40.0 | 1.60 | 70.0 | 2.76 | 62.2 | 2.45 | 69.2 | 2.72 | ✓ |
| Z11 | 135.2 | 5.32 | 134.8 | 5.31 | 20.0 | 0.80 | 40.0 | 1.60 | 70.0 | 2.76 | 68.4 | 2.69 | 75.1 | 2.96 | ✓ |
| Z12 | 147.2 | 5.80 | 147.2 | 5.80 | 20.0 | 0.80 | 40.0 | 1.60 | 70.0 | 2.76 | 74.6 | 2.94 | 81.1 | 3.19 | ✓ |

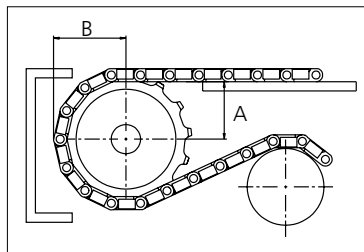
Molded sprocket



Cast iron sprocket



Molded two part sprocket



Please ensure that sufficient size shaft and keyway are chosen for corresponding load.

Other sprocket sizes are available upon request
 Width of tooth: 15.8 mm/0.62 in
 Width of sprocket: 42.3 mm/1.67 in
 uni Retainer Rings: See uni Retainer Ring data sheet
 uni Idler: See uni Idler data sheet

Non standard material and color:
 See uni Material and Color Overview.



Solid advice
 For all your belting needs
 Local stock & service
www.ammeraalbeltech.com

Ammeraal Beltech Modular A/S
 Hjulmagervej 21
 DK-7100 Vejle

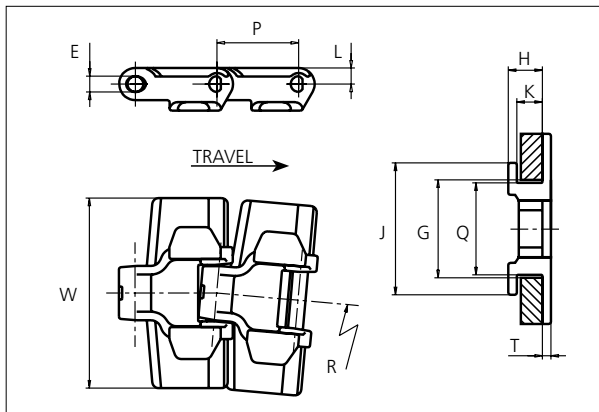
T +45 7572 3100
 F +45 7572 3348
 admin@unichains.com
 www.unichains.com

This information is subject to alteration due to continuous development. Ammeraal Beltech will not be held liable for the incorrect use of the above stated information. This information replaces previous information. All activities performed and services rendered by Ammeraal Beltech are subject to general terms and conditions of sale and delivery, as applied by its operating companies.



Slat Top Plastic Chain

Series **uni 879** Type **Tab**



Slat Top Plastic Chain
 Side flexing chain
 Pitch: 38.1 mm (1.50 in)
 Backflex radius:
 75.0 mm (3.00 in)
 Permissible tensile strength:
 POM material:
 2250 N (506 lbf)
 Standard shipping lengths:
 boxes of 80 links
 = 3.048 m (10.0 ft)

| E | | G | | H | | J | | K | | L | | P | | Q | | T | |
|-----|------|------|------|------|------|------|------|------|------|-----|------|------|------|------|------|-----|------|
| mm | in | mm | in | mm | in | mm | in | mm | in | mm | in | mm | in | mm | in | mm | in |
| 7.1 | 0.28 | 44.5 | 1.75 | 15.9 | 0.63 | 61.5 | 2.42 | 11.9 | 0.47 | 8.5 | 0.33 | 38.1 | 1.50 | 43.1 | 1.70 | 5.0 | 0.20 |

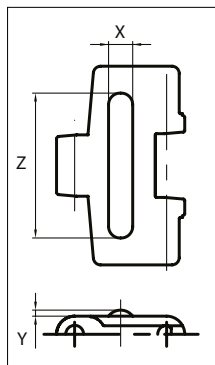
All dimensions are for chains in POM material.

| | Width (W) | | Material & color | Pin material | Weight | | Min. radius (R) | |
|-------------|-----------|------|------------------|--------------|--------|-------|-----------------|-------|
| | mm | in | | | kg/m | lb/ft | mm | in |
| K250 | 63.5 | 2.50 | - | - | - | - | - | - |
| K325 | 82.6 | 3.25 | POM-LF BR | SS304 | 1.1 | 0.74 | 400 | 15.75 |
| K450 | 114.3 | 4.50 | POM-LF BR | SS304 | 1.3 | 0.87 | 400 | 15.75 |

Non standard material and color: See uni Material and Color Overview.
 Non standard pin material: See uni Material and Color Overview.

Accessories

Rubber Top



When ordering, please state the required distance between the Rubber Top.

Other Non Standard rubber profiles:
 See uni Rubber Profile Overview.

| Width | Link material | Rubber material | Z | | X | | Y | |
|-------------|------------------|-----------------|----|------|----|------|-----|------|
| | | | mm | in | mm | in | mm | in |
| K325 | POM-LF BR | 05 I | 60 | 2.36 | 10 | 0.39 | 2.5 | 0.10 |
| K450 | POM-LF BR | 05 I | 90 | 3.54 | 10 | 0.39 | 2.5 | 0.10 |

STANDARD

SIDE FLEXING

PITCH 38.1 MM/1.50 IN

Sprocket

| No. of teeth | Pitch diameter | | Overall diameter | | Min. ϕ bore | | Max. ϕ bore | | Hub diameter | | Dimension A | | Dimension B | | Molded PA6 LG | Molded Cast Iron |
|--------------|----------------|------|------------------|------|------------------|------|------------------|------|--------------|------|-------------|------|-------------|------|---------------|------------------|
| | mm | in | mm | in | mm | in | mm | in | mm | in | mm | in | mm | in | | |
| Z9 | 111.4 | 4.39 | 109.7 | 4.32 | 20.0 | 0.80 | 40.0 | 1.60 | 70.0 | 2.76 | 55.9 | 2.20 | 63.2 | 2.49 | ✓ | ✓ |
| Z10 | 123.3 | 4.85 | 122.3 | 4.81 | 20.0 | 0.80 | 40.0 | 1.60 | 70.0 | 2.76 | 62.2 | 2.45 | 69.2 | 2.72 | ✓ | ✓ |
| Z11 | 135.2 | 5.32 | 134.8 | 5.31 | 20.0 | 0.80 | 40.0 | 1.60 | 70.0 | 2.76 | 68.4 | 2.69 | 75.1 | 2.96 | ✓ | ✓ |
| Z12 | 147.2 | 5.80 | 147.2 | 5.80 | 20.0 | 0.80 | 40.0 | 1.60 | 70.0 | 2.76 | 74.6 | 2.94 | 81.1 | 3.19 | ✓ | ✓ |
| Z15 | 183.3 | 7.22 | 184.3 | 7.26 | 20.0 | 0.80 | 40.0 | 1.60 | 70.0 | 2.76 | 93.2 | 3.67 | 99.2 | 3.91 | ✓ | ✓ |

Two part sprocket

| No. of teeth | Pitch diameter | | Overall diameter | | Min. ϕ bore | | Max. ϕ bore | | Hub diameter | | Dimension A | | Dimension B | | Molded PA6 LG |
|--------------|----------------|------|------------------|------|------------------|------|------------------|------|--------------|------|-------------|------|-------------|------|---------------|
| | mm | in | mm | in | mm | in | mm | in | mm | in | mm | in | mm | in | |
| Z9 | 111.4 | 4.39 | 109.7 | 4.32 | 20.0 | 0.80 | 40.0 | 1.60 | 70.0 | 2.76 | 55.9 | 2.20 | 63.2 | 2.49 | ✓ |
| Z10 | 123.3 | 4.85 | 122.3 | 4.81 | 20.0 | 0.80 | 40.0 | 1.60 | 70.0 | 2.76 | 62.2 | 2.45 | 69.2 | 2.72 | ✓ |
| Z11 | 135.2 | 5.32 | 134.8 | 5.31 | 20.0 | 0.80 | 40.0 | 1.60 | 70.0 | 2.76 | 68.4 | 2.69 | 75.1 | 2.96 | ✓ |
| Z12 | 147.2 | 5.80 | 147.2 | 5.80 | 20.0 | 0.80 | 40.0 | 1.60 | 70.0 | 2.76 | 74.6 | 2.94 | 81.1 | 3.19 | ✓ |

Molded sprocket



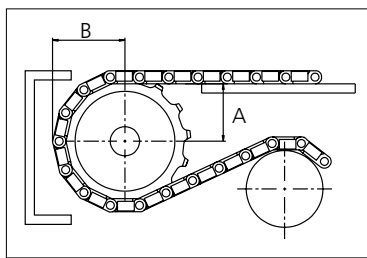
Cast iron sprocket



Molded two part sprocket



Non standard material and color:
See uni Material and Color Overview.



Please ensure that sufficient size shaft and keyway are chosen for corresponding load.

Other sprocket sizes are available upon request
Width of tooth: 15.8 mm/0.62 in
Width of sprocket: 42.3 mm/1.67 in
uni Retainer Rings: See uni Retainer Ring data sheet
uni Idler: See uni Idler data sheet



Conveyor Belts



Seamless Belts



Modular Belts



Timing Belts



Transmission Belts



Fabrication & service

Solid advice
For all your belting needs
Local stock & service
www.ammeraalbeltech.com

Ammeraal Beltech Modular A/S
Hjulmagervej 21
DK-7100 Vejle

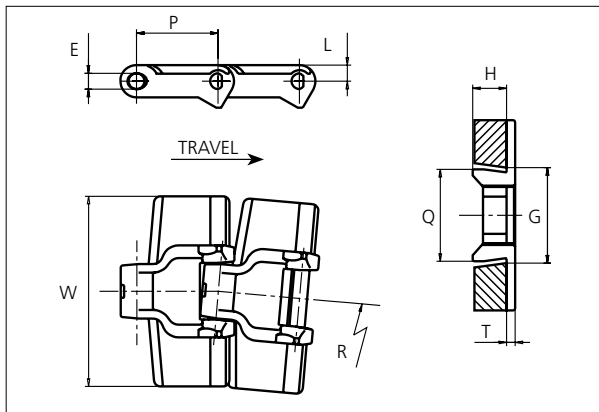
T +45 7572 3100
F +45 7572 3348
admin@unichains.com
www.unichains.com

This information is subject to alteration due to continuous development. Ammeraal Beltech will not be held liable for the incorrect use of the above stated information. This information replaces previous information. All activities performed and services rendered by Ammeraal Beltech are subject to general terms and conditions of sale and delivery, as applied by its operating companies.



Slat Top Plastic Chain

Series **uni 879** Type -



Slat Top Plastic Chain
 Side flexing chain
 Pitch: 38.1 mm (1.50 in)
 Backflex radius: 75 mm (3 in)
 Permissible tensile strength:
 POM material: 2250 N (506 lbf)

 Standard shipping lengths:
 boxes of 80 links
 = 3.048 m (10.0 ft)

NON STANDARD

| E | | G* | | G** | | H | | J | | K | | L | | P | | Q | | T | |
|-----|------|------|------|------|------|------|------|------|------|------|------|-----|------|------|------|------|------|-----|------|
| mm | in | mm | in | mm | in | mm | in | mm | in | mm | in | mm | in | mm | in | mm | in | mm | in |
| 7.1 | 0.28 | 41.3 | 1.63 | 46.6 | 1.83 | 15.9 | 0.63 | 61.5 | 2.42 | 11.9 | 0.47 | 8.5 | 0.33 | 38.1 | 1.50 | 43.1 | 1.70 | 5.0 | 0.20 |

*Curve, ** Straight

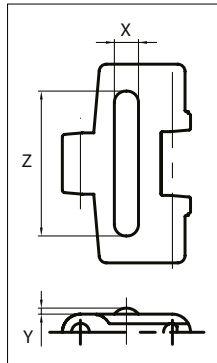
All dimensions are for chains in POM material.

| | Width (W) | | Recommended material & color | Recommended pin material | Weight | | Min. radius (R) | | |
|-------------|-----------|------|--------------------------------------------------------------------------------------------------------------------------------------------------|---------------------------------------------------------------------------------------------------------------------------------------------------|--------------|-------|-----------------|-----|-------|
| | mm | in | | | kg/m | lb/ft | mm | in | |
| K250 | 63.5 | 2.50 | POM-D W POM-LF BR | POM-D G POM-SLF DG | SS304 | 1.0 | 0.67 | 400 | 15.75 |
| K325 | 82.6 | 3.25 | POM-D W POM-LF BR | POM-D G POM-SLF DG | SS304 | 1.0 | 0.67 | 400 | 15.75 |
| K450 | 114.3 | 4.50 | POM-D W POM-LF BR | POM-D G POM-SLF DG | SS304 | 1.3 | 0.87 | 400 | 15.75 |

Other non standard material and color: See uni Material and Color Overview.
 Other non standard pin material: See uni Material and Color Overview.

Accessories

Rubber Top



When ordering, please state the required distance between the Rubber Top.

Other Non Standard rubber profiles:
 See uni Rubber Profile Overview

| Width | Link material | Rubber material | Z | | X | | Y | |
|-------------|-------------------------------------------------------------------------|--------------------------------------------------------------------|----|------|----|------|-----|------|
| | | | mm | in | mm | in | mm | in |
| K325 | POM-LF BR | 05 I | 60 | 2.36 | 10 | 0.39 | 2.5 | 0.10 |
| K450 | POM-LF BR | 05 I | 90 | 3.54 | 10 | 0.39 | 2.5 | 0.10 |

PITCH 38.1 MM/1.50 IN



Sprocket

| No. of teeth | Pitch diameter | | Overall diameter | | Min. ø bore | | Max. ø bore | | Hub diameter | | Dimension A | | Dimension B | | Molded PA6 LG | Molded Cast Iron |
|--------------|----------------|------|------------------|------|-------------|------|-------------|------|--------------|------|-------------|------|-------------|------|---------------|------------------|
| | mm | in | mm | in | mm | in | mm | in | mm | in | mm | in | mm | in | | |
| Z9 | 111.4 | 4.39 | 109.7 | 4.32 | 20.0 | 0.80 | 40.0 | 1.60 | 70.0 | 2.76 | 55.9 | 2.20 | 63.2 | 2.49 | ✓ | ✓ |
| Z10 | 123.3 | 4.85 | 122.3 | 4.81 | 20.0 | 0.80 | 40.0 | 1.60 | 70.0 | 2.76 | 62.2 | 2.45 | 69.2 | 2.72 | ✓ | ✓ |
| Z11 | 135.2 | 5.32 | 134.8 | 5.31 | 20.0 | 0.80 | 40.0 | 1.60 | 70.0 | 2.76 | 68.4 | 2.69 | 75.1 | 2.96 | ✓ | ✓ |
| Z12 | 147.2 | 5.80 | 147.2 | 5.80 | 20.0 | 0.80 | 40.0 | 1.60 | 70.0 | 2.76 | 74.6 | 2.94 | 81.1 | 3.19 | ✓ | ✓ |
| Z15 | 183.3 | 7.22 | 184.3 | 7.26 | 20.0 | 0.80 | 40.0 | 1.60 | 70.0 | 2.76 | 93.2 | 3.67 | 99.2 | 3.91 | ✓ | ✓ |

Two part sprocket

| No. of teeth | Pitch diameter | | Overall diameter | | Min. ø bore | | Max. ø bore | | Hub diameter | | Dimension A | | Dimension B | | Molded PA6 LG |
|--------------|----------------|------|------------------|------|-------------|------|-------------|------|--------------|------|-------------|------|-------------|------|---------------|
| | mm | in | mm | in | mm | in | mm | in | mm | in | mm | in | mm | in | |
| Z9 | 111.4 | 4.39 | 109.7 | 4.32 | 20.0 | 0.80 | 40.0 | 1.60 | 70.0 | 2.76 | 55.9 | 2.20 | 63.2 | 2.49 | ✓ |
| Z10 | 123.3 | 4.85 | 122.3 | 4.81 | 20.0 | 0.80 | 40.0 | 1.60 | 70.0 | 2.76 | 62.2 | 2.45 | 69.2 | 2.72 | ✓ |
| Z11 | 135.2 | 5.32 | 134.8 | 5.31 | 20.0 | 0.80 | 40.0 | 1.60 | 70.0 | 2.76 | 68.4 | 2.69 | 75.1 | 2.96 | ✓ |
| Z12 | 147.2 | 5.80 | 147.2 | 5.80 | 20.0 | 0.80 | 40.0 | 1.60 | 70.0 | 2.76 | 74.6 | 2.94 | 81.1 | 3.19 | ✓ |

Non standard material and color:
See uni Material and Color Overview.

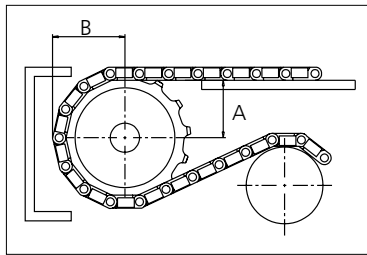
Molded sprocket



Cast iron sprocket



Molded two part sprocket



Please ensure that sufficient size shaft and keyway are chosen for corresponding load.

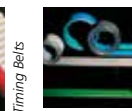
Other sprocket sizes are available upon request

Width of tooth: 15.8 mm/0.62 in

Width of sprocket: 42.3 mm/1.67 in

uni Retainer Rings: See uni Retainer Ring data sheet

uni Idler: See uni Idler data sheet



Solid advice
For all your belting needs
Local stock & service
www.ammeraalbeltech.com

Ammeraal Beltech Modular A/S
Hjulmagervej 21
DK-7100 Vejle

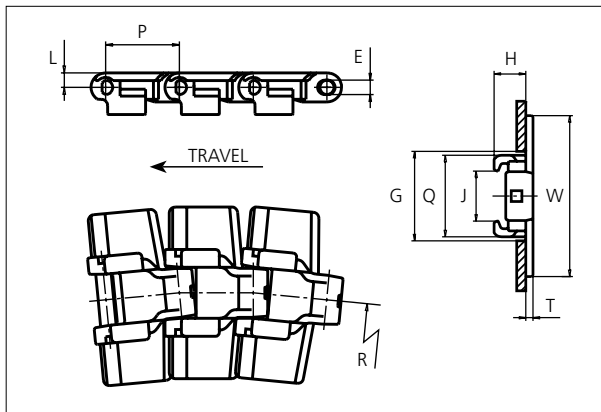
T +45 7572 3100
F +45 7572 3348
admin@unichains.com
www.unichains.com

This information is subject to alteration due to continuous development. Ammeraal Beltech will not be held liable for the incorrect use of the above stated information. This information replaces previous information. All activities performed and services rendered by Ammeraal Beltech are subject to general terms and conditions of sale and delivery, as applied by its operating companies.



Slat Top Plastic Chain

Series **uni 880** Type **Super Flex**



Slat Top Plastic Chain
 Side flexing chain
 Pitch: 38.1 mm (1.50 in)
 Backflex radius:
 75.0 mm (3.00 in)
 Permissible tensile strength:
 POM material:
 2250 N (506 lbf)
 Standard shipping lengths:
 boxes of 80 links
 = 3.048 m (10.0 ft)

STANDARD

| E | | G | | H | | J | | L | | P | | Q | | T | |
|-----|------|------|------|------|------|------|------|-----|------|------|------|------|------|-----|------|
| mm | in | mm | in | mm | in | mm | in | mm | in | mm | in | mm | in | mm | in |
| 7.0 | 0.28 | 46.0 | 1.81 | 17.5 | 0.69 | 27.5 | 1.08 | 7.5 | 0.30 | 38.1 | 1.50 | 42.3 | 1.67 | 4.0 | 0.16 |

All dimensions are for chains in POM material.

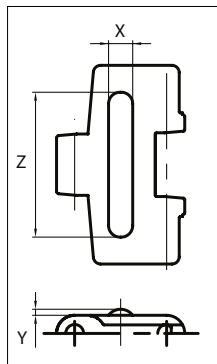
| | Width (W) | | Material & color | Pin material | Weight | | Min. radius (R) | |
|-------------|-----------|------|------------------|--------------|--------|-------|-----------------|-------|
| | mm | in | | | kg/m | lb/ft | mm | in |
| K250 | 63.5 | 2.50 | - | - | - | - | - | - |
| K325 | 82.6 | 3.25 | POM-LF BR | SS304 | 1.0 | 0.67 | 457.0 | 17.99 |
| K350 | 88.9 | 3.50 | - | - | - | - | - | - |
| K450 | 114.3 | 4.50 | POM-LF BR | SS304 | 1.1 | 0.67 | 610.0 | 24.02 |
| K750 | 190.5 | 7.50 | - | - | - | - | - | - |

Non standard material and color: See uni Material and Color Overview.

Non standard pin material: See uni Material and Color Overview.

Accessories

Rubber Top



| Width | Link material | Rubber material | Z | | X | | Y | |
|-------------|---------------|-----------------|----|------|----|------|-----|------|
| | | | mm | in | mm | in | mm | in |
| K325 | POM-LF BR | 05 I | 60 | 2.36 | 10 | 0.39 | 2.5 | 0.10 |
| K450 | POM-LF BR | 05 I | 90 | 3.54 | 10 | 0.39 | 2.5 | 0.10 |

When ordering, please state the required distance between the Rubber Top.

Other Non Standard rubber profiles: See uni Rubber Profile Overview.

SIDE FLEXING

PITCH 38.1 MM/1.50 IN



Sprocket

| No. of teeth | Pitch diameter | | Overall diameter | | Min. ø bore | | Max. ø bore | | Hub diameter | | Dimention A | | Dimention B | | Molded PA6 LG | Molded Cast Iron |
|--------------|----------------|------|------------------|------|-------------|------|-------------|------|--------------|------|-------------|------|-------------|------|---------------|------------------|
| | mm | in | mm | in | mm | in | mm | in | mm | in | mm | in | mm | in | | |
| Z9 | 111.4 | 4.39 | 109.7 | 4.32 | 20.0 | 0.80 | 40.0 | 1.60 | 70.0 | 2.76 | 55.9 | 2.20 | 63.2 | 2.49 | ✓ | ✓ |
| Z10 | 123.3 | 4.85 | 122.3 | 4.81 | 20.0 | 0.80 | 40.0 | 1.60 | 70.0 | 2.76 | 62.2 | 2.45 | 69.2 | 2.72 | ✓ | ✓ |
| Z11 | 135.2 | 5.32 | 134.8 | 5.31 | 20.0 | 0.80 | 40.0 | 1.60 | 70.0 | 2.76 | 68.4 | 2.69 | 75.1 | 2.96 | ✓ | ✓ |
| Z12 | 147.2 | 5.80 | 147.2 | 5.80 | 20.0 | 0.80 | 40.0 | 1.60 | 70.0 | 2.76 | 74.6 | 2.94 | 81.1 | 3.19 | ✓ | ✓ |
| Z15 | 183.3 | 7.22 | 184.3 | 7.26 | 20.0 | 0.80 | 40.0 | 1.60 | 70.0 | 2.76 | 93.2 | 3.67 | 99.2 | 3.91 | ✓ | ✓ |

Two part sprocket

| No. of teeth | Pitch diameter | | Overall diameter | | Min. ø bore | | Max. ø bore | | Hub diameter | | Dimention A | | Dimention B | | Molded PA6 LG |
|--------------|----------------|------|------------------|------|-------------|------|-------------|------|--------------|------|-------------|------|-------------|------|---------------|
| | mm | in | mm | in | mm | in | mm | in | mm | in | mm | in | mm | in | |
| Z9 | 111.4 | 4.39 | 109.7 | 4.32 | 20.0 | 0.80 | 40.0 | 1.60 | 70.0 | 2.76 | 55.9 | 2.20 | 63.2 | 2.49 | ✓ |
| Z10 | 123.3 | 4.85 | 122.3 | 4.81 | 20.0 | 0.80 | 40.0 | 1.60 | 70.0 | 2.76 | 62.2 | 2.45 | 69.2 | 2.72 | ✓ |
| Z11 | 135.2 | 5.32 | 134.8 | 5.31 | 20.0 | 0.80 | 40.0 | 1.60 | 70.0 | 2.76 | 68.4 | 2.69 | 75.1 | 2.96 | ✓ |
| Z12 | 147.2 | 5.80 | 147.2 | 5.80 | 20.0 | 0.80 | 40.0 | 1.60 | 70.0 | 2.76 | 74.6 | 2.94 | 81.1 | 3.19 | ✓ |

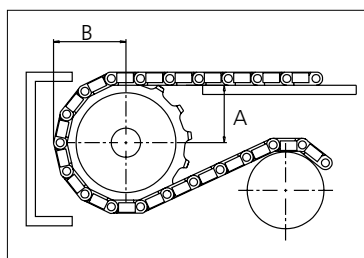
Molded sprocket



Cast iron sprocket



Molded two part sprocket



Please ensure that sufficient size shaft and keyway are chosen for corresponding load.

Other sprocket sizes are available upon request
 Width of tooth: 15.8 mm/0.62 in
 Width of sprocket: 42.3 mm/1.67 in
 uni Retainer Rings: See uni Retainer Ring data sheet
 uni Idler: See uni Idler data sheet

Non standard material and color:
 See uni Material and Color Overview.



Solid advice
 For all your belting needs
 Local stock & service
www.ammeraalbeltech.com

Ammeraal Beltech Modular A/S
 Hjulmagervej 21
 DK-7100 Vejle

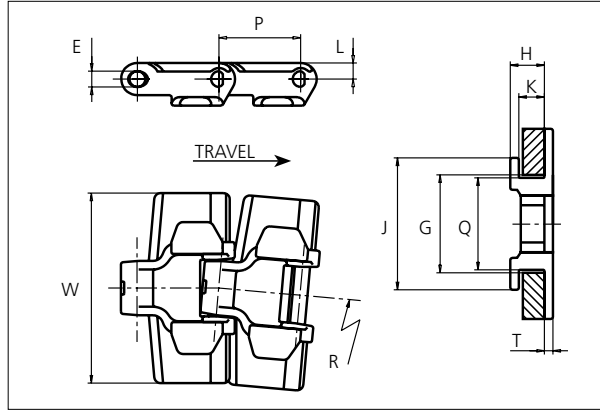
T +45 7572 3100
 F +45 7572 3348
 admin@unichains.com
 www.unichains.com

This information is subject to alteration due to continuous development. Ammeraal Beltech will not be held liable for the incorrect use of the above stated information. This information replaces previous information. All activities performed and services rendered by Ammeraal Beltech are subject to general terms and conditions of sale and delivery, as applied by its operating companies.



Slat Top Plastic Chain

Series **uni 880** Type **Tab R**



Slat Top Plastic Chain
 Side flexing chain
 Pitch: 38.1 mm (1.50 in)
 Backflex radius:
 75.0 mm (3.00 in)
 Permissible tensile strength:
 POM material:
 2250 N (506 lbf)
 Standard shipping lengths:
 boxes of 80 links
 = 3.048 m (10.0 ft)

STANDARD

| E | | G | | H | | J | | K | | L | | P | | Q | | T | |
|-----|------|------|------|------|------|------|------|------|------|-----|------|------|------|------|------|-----|------|
| mm | in | mm | in | mm | in | mm | in | mm | in | mm | in | mm | in | mm | in | mm | in |
| 7.1 | 0.28 | 44.5 | 1.75 | 15.9 | 0.63 | 61.5 | 2.42 | 11.9 | 0.47 | 7.5 | 0.30 | 38.1 | 1.50 | 43.1 | 1.70 | 4.0 | 0.16 |

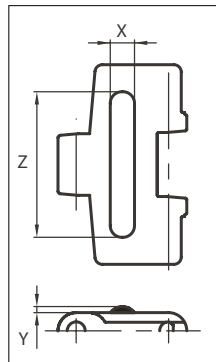
All dimensions are for chains in POM material.

| | Width (W) | | Material & color | Pin material | Weight | | Min. radius (R) | |
|-------------|-----------|------|------------------------------------|--------------|--------|-------|-----------------|------|
| | mm | in | | | kg/m | lb/ft | mm | in |
| K200 | 50.6 | 2.00 | - | - | - | - | - | - |
| K250 | 63.5 | 2.50 | POM-LF BR | SS304 | 0.8 | 0.54 | 200 | 7.87 |
| K325 | 82.6 | 3.25 | POM-LF BR POM-SLF DG | SS304 | 1.0 | 0.67 | 200 | 7.87 |
| K450 | 114.3 | 4.50 | POM-LF BR | SS304 | 1.1 | 0.75 | 200 | 7.87 |

Non standard material and color: See uni Material and Color Overview.
 Non standard pin material: See uni Material and Color Overview.

Accessories

Rubber Top



| Width | Link material | Rubber material | Z | | X | | Y | |
|-------------|------------------|-----------------|----|------|----|------|-----|------|
| | | | mm | in | mm | in | mm | in |
| K325 | POM-LF BR | 05 I | 60 | 2.36 | 10 | 0.39 | 2.5 | 0.10 |

When ordering, please state the required distance between the Rubber Top.

Other Non Standard rubber profiles:
 See uni Rubber Profile Overview.

SIDE FLEXING

PITCH 38.1 MM/1.50 IN



Sprocket

| No. of teeth | Pitch diameter | | Overall diameter | | Min. ϕ bore | | Max. ϕ bore | | Hub diameter | | Dimension A | | Dimension B | | Molded PA6 LG | Molded Cast Iron |
|--------------|----------------|------|------------------|------|------------------|------|------------------|------|--------------|------|-------------|------|-------------|------|---------------|------------------|
| | mm | in | mm | in | mm | in | mm | in | mm | in | mm | in | mm | in | | |
| Z9 | 111.4 | 4.39 | 109.7 | 4.32 | 20.0 | 0.80 | 40.0 | 1.60 | 70.0 | 2.76 | 55.9 | 2.20 | 63.2 | 2.49 | ✓ | ✓ |
| Z10 | 123.3 | 4.85 | 122.3 | 4.81 | 20.0 | 0.80 | 40.0 | 1.60 | 70.0 | 2.76 | 62.2 | 2.45 | 69.2 | 2.72 | ✓ | ✓ |
| Z11 | 135.2 | 5.32 | 134.8 | 5.31 | 20.0 | 0.80 | 40.0 | 1.60 | 70.0 | 2.76 | 68.4 | 2.69 | 75.1 | 2.96 | ✓ | ✓ |
| Z12 | 147.2 | 5.80 | 147.2 | 5.80 | 20.0 | 0.80 | 40.0 | 1.60 | 70.0 | 2.76 | 74.6 | 2.94 | 81.1 | 3.19 | ✓ | ✓ |
| Z15 | 183.3 | 7.22 | 184.3 | 7.26 | 20.0 | 0.80 | 40.0 | 1.60 | 70.0 | 2.76 | 93.2 | 3.67 | 99.2 | 3.91 | ✓ | ✓ |

Two part sprocket

| No. of teeth | Pitch diameter | | Overall diameter | | Min. ϕ bore | | Max. ϕ bore | | Hub diameter | | Dimension A | | Dimension B | | Molded PA6 LG |
|--------------|----------------|------|------------------|------|------------------|------|------------------|------|--------------|------|-------------|------|-------------|------|---------------|
| | mm | in | mm | in | mm | in | mm | in | mm | in | mm | in | mm | in | |
| Z9 | 111.4 | 4.39 | 109.7 | 4.32 | 20.0 | 0.80 | 40.0 | 1.60 | 70.0 | 2.76 | 55.9 | 2.20 | 63.2 | 2.49 | ✓ |
| Z10 | 123.3 | 4.85 | 122.3 | 4.81 | 20.0 | 0.80 | 40.0 | 1.60 | 70.0 | 2.76 | 62.2 | 2.45 | 69.2 | 2.72 | ✓ |
| Z11 | 135.2 | 5.32 | 134.8 | 5.31 | 20.0 | 0.80 | 40.0 | 1.60 | 70.0 | 2.76 | 68.4 | 2.69 | 75.1 | 2.96 | ✓ |
| Z12 | 147.2 | 5.80 | 147.2 | 5.80 | 20.0 | 0.80 | 40.0 | 1.60 | 70.0 | 2.76 | 74.6 | 2.94 | 81.1 | 3.19 | ✓ |

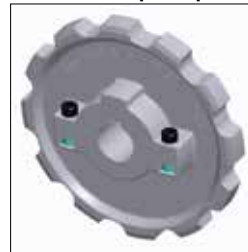
Molded sprocket



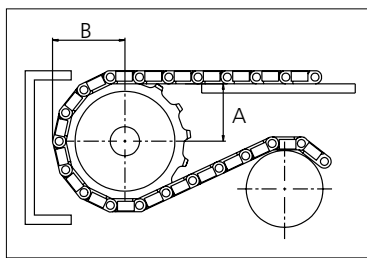
Cast iron sprocket



Molded two part sprocket



Non standard material and color:
See uni Material and Color Overview.



Please ensure that sufficient size shaft and keyway are chosen for corresponding load.

Other sprocket sizes are available upon request
Width of tooth: 15.8 mm/0.62 in
Width of sprocket: 42.3 mm/1.67 in
uni Retainer Rings: See uni Retainer Ring data sheet
uni Idler: See uni Idler data sheet



Conveyor Belts



Seamless Belts



Modular Belts



Timing Belts



Transmission Belts



Fabrication & service

Solid advice
For all your belting needs
Local stock & service
www.ammeraalbeltech.com

Ammeraal Beltech Modular A/S
Hjulmagervej 21
DK-7100 Vejle

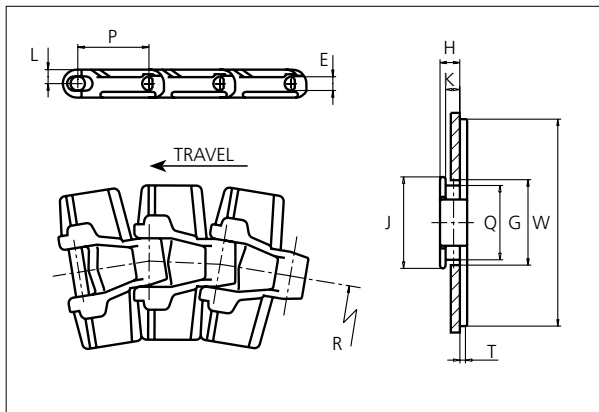
T +45 7572 3100
F +45 7572 3348
admin@unichains.com
www.unichains.com

This information is subject to alteration due to continuous development. Ammeraal Beltech will not be held liable for the incorrect use of the above stated information. This information replaces previous information. All activities performed and services rendered by Ammeraal Beltech are subject to general terms and conditions of sale and delivery, as applied by its operating companies.



Slat Top Plastic Chain

Series **uni 880** Type **Tab RT**



Slat Top Plastic Chain
 Side flexing chain
 Pitch: 38.1 mm (1.50 in)
 Backflex radius:
 75.0 mm (3.00 in)
 Permissible tensile strength:
 POM material:
 2250 N (506 lbf)

 Standard shipping lengths:
 boxes of 80 links
 = 3.048 m (10.0 ft)

| E | | G | | H | | J | | K | | L | | P | | Q | | T | |
|-----|------|------|------|------|------|------|------|-----|------|-----|------|------|------|------|------|-----|------|
| mm | in | mm | in | mm | in | mm | in | mm | in | mm | in | mm | in | mm | in | mm | in |
| 7.1 | 0.28 | 44.5 | 1.75 | 11.0 | 0.43 | 50.4 | 1.98 | 7.9 | 0.30 | 7.5 | 0.30 | 38.1 | 1.50 | 41.2 | 1.62 | 4.0 | 0.16 |

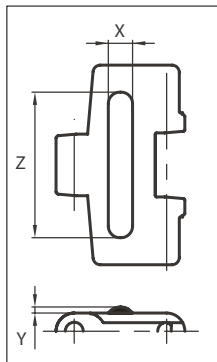
All dimensions are for chains in POM material.

| | Width (W) | | Material & color | Pin material | Weight | | Min. radius (R) | |
|-------------|-----------|------|------------------|--------------|--------|-------|-----------------|------|
| | mm | in | | | kg/m | lb/ft | mm | in |
| K325 | 82.6 | 3.25 | POM-LF BR | SS304 | 0.9 | 0.60 | 200 | 7.87 |
| K450 | 114.3 | 4.25 | - | - | - | - | - | - |

Non standard material and color: See uni Material and Color Overview.
 Non standard pin material: See uni Material and Color Overview.

Accessories

Rubber Top



When ordering, please state the required distance between the Rubber Top.

Other Non Standard rubber profiles: See uni Rubber Profile Overview.

| Width | Link material | Rubber material | Z | | X | | Y | |
|-------------|------------------|-----------------|----|------|----|------|-----|------|
| | | | mm | in | mm | in | mm | in |
| K325 | POM-LF BR | 05 I | 60 | 2.36 | 10 | 0.39 | 2.5 | 0.10 |

STANDARD

SIDE FLEXING

PITCH 38.1 MM/1.50 IN



Sprocket

| No. of teeth | Pitch diameter | | Overall diameter | | Min. ϕ bore | | Max. ϕ bore | | Hub diameter | | Dimension A | | Dimension B | | Molded PA6 LG | Molded Cast Iron |
|--------------|----------------|------|------------------|------|------------------|------|------------------|------|--------------|------|-------------|------|-------------|------|---------------|------------------|
| | mm | in | mm | in | mm | in | mm | in | mm | in | mm | in | mm | in | | |
| Z9 | 111.4 | 4.39 | 109.7 | 4.32 | 20.0 | 0.80 | 40.0 | 1.60 | 70.0 | 2.76 | 55.9 | 2.20 | 63.2 | 2.49 | ✓ | ✓ |
| Z10 | 123.3 | 4.85 | 122.3 | 4.81 | 20.0 | 0.80 | 40.0 | 1.60 | 70.0 | 2.76 | 62.2 | 2.45 | 69.2 | 2.72 | ✓ | ✓ |
| Z11 | 135.2 | 5.32 | 134.8 | 5.31 | 20.0 | 0.80 | 40.0 | 1.60 | 70.0 | 2.76 | 68.4 | 2.69 | 75.1 | 2.96 | ✓ | ✓ |
| Z12 | 147.2 | 5.80 | 147.2 | 5.80 | 20.0 | 0.80 | 40.0 | 1.60 | 70.0 | 2.76 | 74.6 | 2.94 | 81.1 | 3.19 | ✓ | ✓ |
| Z15 | 183.3 | 7.22 | 184.3 | 7.26 | 20.0 | 0.80 | 40.0 | 1.60 | 70.0 | 2.76 | 93.2 | 3.67 | 99.2 | 3.91 | ✓ | ✓ |

Two part sprocket

| No. of teeth | Pitch diameter | | Overall diameter | | Min. ϕ bore | | Max. ϕ bore | | Hub diameter | | Dimension A | | Dimension B | | Molded PA6 LG |
|--------------|----------------|------|------------------|------|------------------|------|------------------|------|--------------|------|-------------|------|-------------|------|---------------|
| | mm | in | mm | in | mm | in | mm | in | mm | in | mm | in | mm | in | |
| Z9 | 111.4 | 4.39 | 109.7 | 4.32 | 20.0 | 0.80 | 40.0 | 1.60 | 70.0 | 2.76 | 55.9 | 2.20 | 63.2 | 2.49 | ✓ |
| Z10 | 123.3 | 4.85 | 122.3 | 4.81 | 20.0 | 0.80 | 40.0 | 1.60 | 70.0 | 2.76 | 62.2 | 2.45 | 69.2 | 2.72 | ✓ |
| Z11 | 135.2 | 5.32 | 134.8 | 5.31 | 20.0 | 0.80 | 40.0 | 1.60 | 70.0 | 2.76 | 68.4 | 2.69 | 75.1 | 2.96 | ✓ |
| Z12 | 147.2 | 5.80 | 147.2 | 5.80 | 20.0 | 0.80 | 40.0 | 1.60 | 70.0 | 2.76 | 74.6 | 2.94 | 81.1 | 3.19 | ✓ |

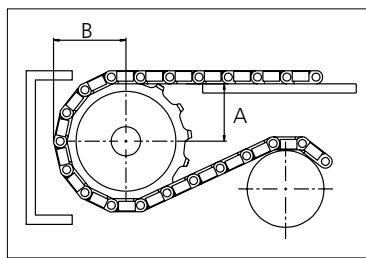
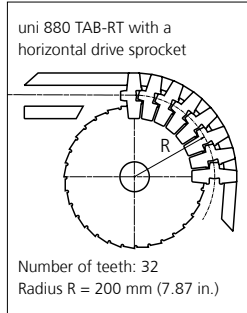
Molded sprocket



Cast iron sprocket



Molded two part sprocket



Please ensure that sufficient size shaft and keyway are chosen for corresponding load.

Non standard material and color:
See uni Material and Color Overview.

Other sprocket sizes are available upon request
Width of tooth: 15.8 mm/0.62 in
Width of sprocket: 42.3 mm/1.67 in
uni Retainer Rings: See uni Retainer Ring data sheet
uni Idler: See uni Idler data sheet

uni 880 Tab RT/160616



Solid advice
For all your belting needs
Local stock & service
www.ammeraalbeltech.com

Ammeraal Beltech Modular A/S
Hjulmagervej 21
DK-7100 Vejle

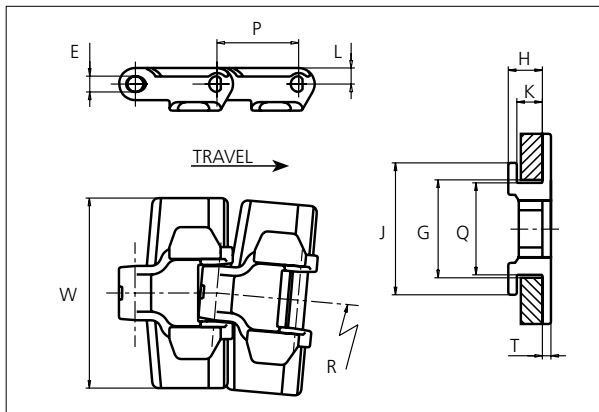
T +45 7572 3100
F +45 7572 3348
admin@unichains.com
www.unichains.com

This information is subject to alteration due to continuous development. Ammeraal Beltech will not be held liable for the incorrect use of the above stated information. This information replaces previous information. All activities performed and services rendered by Ammeraal Beltech are subject to general terms and conditions of sale and delivery, as applied by its operating companies.



Slat Top Plastic Chain

Series **uni 880** Type **Tab**



Slat Top Plastic Chain
 Side flexing chain
 Pitch: 38.1 mm (1.50 in)
 Backflex radius:
 75.0 mm (3.00 in)
 Permissible tensile strength:
 POM material:
 2250 N (506 lbf)

 Standard shipping lengths:
 boxes of 80 links
 = 3.048 m (10.0 ft)

| E | | G | | H | | J | | K | | L | | P | | Q | | T | |
|-----|------|------|------|------|------|------|------|------|------|-----|------|------|------|------|------|-----|------|
| mm | in | mm | in | mm | in | mm | in | mm | in | mm | in | mm | in | mm | in | mm | in |
| 7.1 | 0.28 | 44.5 | 1.75 | 15.9 | 0.63 | 61.5 | 2.42 | 11.9 | 0.47 | 7.5 | 0.30 | 38.1 | 1.50 | 43.1 | 1.70 | 4.0 | 0.16 |

All dimensions are for chains in POM material.

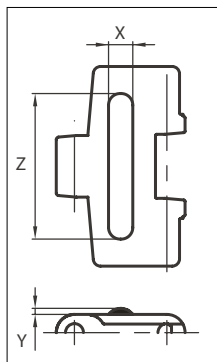
| | Width (W) | | Material & color | Pin material | Weight | | Min. radius (R) | | |
|-------------|-----------|------|------------------------------------------------------|--------------------------------------|--------------|-------|-----------------|-----|-------|
| | mm | in | | | kg/m | lb/ft | mm | in | |
| K250 | 63.5 | 2.50 | - | - | - | - | - | - | |
| K325 | 82.6 | 3.25 | POM-D W G POM-LF BR B | POM-SLF DG POM-EC K | SS304 | 1.0 | 0.67 | 400 | 15.75 |
| K350 | 88.9 | 3.50 | POM-LF BR B | | SS304 | 1.0 | 0.67 | 400 | 15.75 |
| K450 | 114.3 | 4.50 | POM-D W G POM-LF BR B | | SS304 | 1.1 | 0.74 | 400 | 15.75 |
| K750 | 190.5 | 7.50 | POM-D W G POM-LF BR B | | SS304 | 1.5 | 1.00 | 400 | 15.75 |

Non standard material and color: See uni Material and Color Overview.

Non standard pin material: See uni Material and Color Overview.

Accessories

Rubber Top



When ordering, please state the required distance between the Rubber Top.

Other Non Standard rubber profiles: See uni Rubber Profile Overview.

| Width | Link material | Rubber material | Z | | X | | Y | |
|-------------|------------------|-----------------|-----|------|----|------|-----|------|
| | | | mm | in | mm | in | mm | in |
| K325 | POM-LF BR | 05 I | 60 | 2.36 | 10 | 0.39 | 2.5 | 0.10 |
| K350 | POM-LF BR | 05 I | 60 | 2.36 | 10 | 0.39 | 2.5 | 0.10 |
| K450 | POM-LF BR | 05 I | 90 | 3.54 | 10 | 0.39 | 2.5 | 0.10 |
| K750 | POM-LF BR | 05 I | 130 | 5.12 | 10 | 0.39 | 2.5 | 0.10 |



STANDARD

SIDE FLEXING

PITCH 38.1 MM/1.50 IN

Sprocket

| No of teeth | Pitch diameter | | Overall-diameter | | Min. ø bore | | Max. ø bore | | Hub-diameter | | Dimension A | | Dimension B | | Molded PA6 LG | Molded Cast Iron |
|-------------|----------------|------|------------------|------|-------------|------|-------------|------|--------------|------|-------------|------|-------------|------|---------------|------------------|
| | mm | in | mm | in | mm | in | mm | in | mm | in | mm | in | mm | in | | |
| Z9 | 111.4 | 4.39 | 109.7 | 4.32 | 20.0 | 0.80 | 40.0 | 1.60 | 70.0 | 2.76 | 55.9 | 2.20 | 63.2 | 2.49 | ✓ | ✓ |
| Z10 | 123.3 | 4.85 | 122.3 | 4.81 | 20.0 | 0.80 | 40.0 | 1.60 | 70.0 | 2.76 | 62.2 | 2.45 | 69.2 | 2.72 | ✓ | ✓ |
| Z11 | 135.2 | 5.32 | 134.8 | 5.31 | 20.0 | 0.80 | 40.0 | 1.60 | 70.0 | 2.76 | 68.4 | 2.69 | 75.1 | 2.96 | ✓ | ✓ |
| Z12 | 147.2 | 5.80 | 147.2 | 5.80 | 20.0 | 0.80 | 40.0 | 1.60 | 70.0 | 2.76 | 74.6 | 2.94 | 81.1 | 3.19 | ✓ | ✓ |
| Z15 | 183.3 | 7.22 | 184.3 | 7.26 | 20.0 | 0.80 | 40.0 | 1.60 | 70.0 | 2.76 | 93.2 | 3.67 | 99.2 | 3.91 | ✓ | ✓ |

Two part sprocket

| No of teeth | Pitch diameter | | Overall-diameter | | Min. ø bore | | Max. ø bore | | Hub-diameter | | Dimension A | | Dimension B | | Molded PA6 LG |
|-------------|----------------|------|------------------|------|-------------|------|-------------|------|--------------|------|-------------|------|-------------|------|---------------|
| | mm | in | mm | in | mm | in | mm | in | mm | in | mm | in | mm | in | |
| Z9 | 111.4 | 4.39 | 109.7 | 4.32 | 20.0 | 0.80 | 40.0 | 1.60 | 70.0 | 2.76 | 55.9 | 2.20 | 63.2 | 2.49 | ✓ |
| Z10 | 123.3 | 4.85 | 122.3 | 4.81 | 20.0 | 0.80 | 40.0 | 1.60 | 70.0 | 2.76 | 62.2 | 2.45 | 69.2 | 2.72 | ✓ |
| Z11 | 135.2 | 5.32 | 134.8 | 5.31 | 20.0 | 0.80 | 40.0 | 1.60 | 70.0 | 2.76 | 68.4 | 2.69 | 75.1 | 2.96 | ✓ |
| Z12 | 147.2 | 5.80 | 147.2 | 5.80 | 20.0 | 0.80 | 40.0 | 1.60 | 70.0 | 2.76 | 74.6 | 2.94 | 81.1 | 3.19 | ✓ |

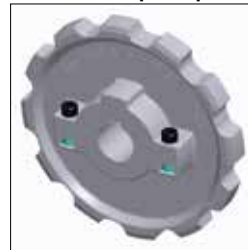
Molded sprocket



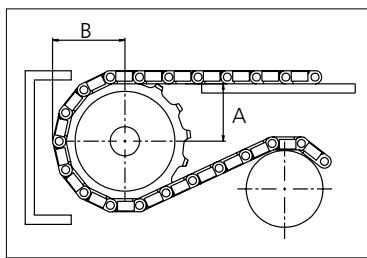
Cast iron sprocket



Molded two part sprocket



Non standard material and color:
See uni Material and Color Overview.



Please ensure that sufficient size shaft and keyway are chosen for corresponding load.

Other sprocket sizes are available upon request
Width of tooth: 15.8 mm/0.62 in
Width of sprocket: 42.3 mm/1.67 in
uni Retainer Rings: See uni Retainer Ring data sheet
uni Idler: See uni Idler data sheet

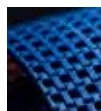
uni 880 Tab/160624



Conveyor Belts



Seamless Belts



Modular Belts



Timing Belts



Transmission Belts



Fabrication & service

Expert advice, quality solutions and local service for all your belting needs
www.ammeraalbeltech.com

Ammeraal Beltech Modular A/S
Hjulmagervej 21
DK-7100 Vejle

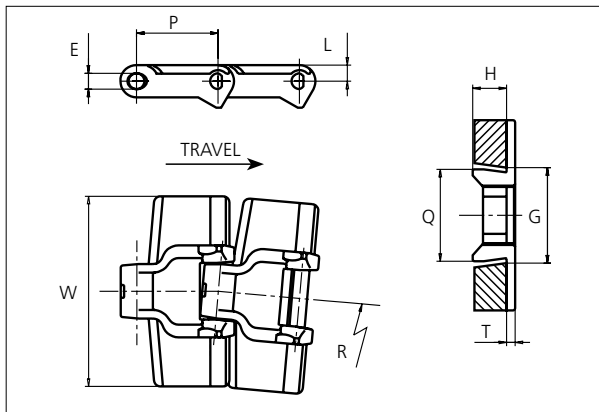
T +45 7572 3100
F +45 7572 3348
admin@unichains.com
www.unichains.com

This information is subject to alteration due to continuous development. Ammeraal Beltech will not be held liable for the incorrect use of the above stated information. This information replaces previous information. All activities performed and services rendered by Ammeraal Beltech are subject to general terms and conditions of sale and delivery, as applied by its operating companies.



Slat Top Plastic Chain

Series **uni 880** Type -



Slat Top Plastic Chain
 Side flexing chain
 Pitch: 38.1 mm (1.50 in)
 Backflex radius:
 75.0 mm (3.00 in)
 Permissible tensile strength:
 POM material:
 2250 N (506 lbf)

 Standard shipping lengths:
 boxes of 80 links
 = 3.048 m (10.0 ft)

STANDARD

| E | | G* | | G** | | H | | J | | K | | L | | P | | Q | | T | |
|-----|------|------|------|------|------|------|------|------|------|------|------|-----|------|------|------|------|------|-----|------|
| mm | in | mm | in | mm | in | mm | in | mm | in | mm | in | mm | in | mm | in | mm | in | mm | in |
| 7.1 | 0.28 | 41.3 | 1.63 | 46.6 | 1.83 | 15.9 | 0.63 | 61.5 | 2.42 | 11.9 | 0.47 | 7.5 | 0.30 | 38.1 | 1.50 | 43.1 | 1.70 | 4.0 | 0.16 |

*Curve, ** Straight

All dimensions are for chains in POM material.

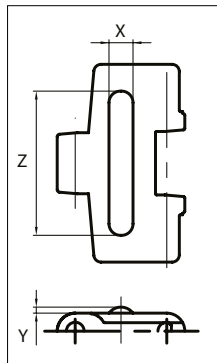
| | Width (W) | | Material & color | Pin material | Weight | | Min. radius (R) | |
|-------------|-----------|------|------------------|--------------|--------|-------|-----------------|-------|
| | mm | in | | | kg/m | lb/ft | mm | in |
| K250 | 63.5 | 2.50 | - | - | - | - | - | - |
| K325 | 82.6 | 3.25 | POM-LF BR | SS304 | 0.9 | 0.60 | 400 | 15.75 |
| K350 | 88.9 | 3.50 | - | SS304 | 1.0 | 0.67 | 400 | 15.75 |
| K450 | 114.3 | 4.50 | POM-LF BR | SS304 | 1.4 | 0.94 | 400 | 15.75 |
| K750 | 190.5 | 7.50 | - | - | - | - | - | - |

Non standard material and color: See uni Material and Color Overview.

Non standard pin material: See uni Material and Color Overview.

Accessories

Rubber Top



When ordering, please state the required distance between the Rubber Top.

Other Non Standard rubber profiles:
 See uni Rubber Profile Overview.

| Width | Link material | Rubber material | Z | | X | | Y | |
|-------------|------------------|-----------------|----|------|----|------|-----|------|
| | | | mm | in | mm | in | mm | in |
| K325 | POM-LF BR | 05 I | 60 | 2.36 | 10 | 0.39 | 2.5 | 0.10 |
| K350 | POM-LF BR | 05 I | 60 | 2.36 | 10 | 0.39 | 2.5 | 0.10 |
| K450 | POM-LF BR | 05 I | 90 | 3.54 | 10 | 0.39 | 2.5 | 0.10 |

SIDE FLEXING

PITCH 38.1 MM/1.50 IN



Sprocket

| No of teeth | Pitch diameter | | Overall-diameter | | Min. ø bore | | Max. ø bore | | Hub-diameter | | A-dimension | | B-dimension | | Molded PA6 LG | Molded Cast Iron |
|-------------|----------------|------|------------------|------|-------------|------|-------------|------|--------------|------|-------------|------|-------------|------|---------------|------------------|
| | mm | in | mm | in | mm | in | mm | in | mm | in | mm | in | mm | in | | |
| Z9 | 111.4 | 4.39 | 109.7 | 4.32 | 20.0 | 0.80 | 40.0 | 1.60 | 70.0 | 2.76 | 55.9 | 2.20 | 63.2 | 2.49 | ✓ | ✓ |
| Z10 | 123.3 | 4.85 | 122.3 | 4.81 | 20.0 | 0.80 | 40.0 | 1.60 | 70.0 | 2.76 | 62.2 | 2.45 | 69.2 | 2.72 | ✓ | ✓ |
| Z11 | 135.2 | 5.32 | 134.8 | 5.31 | 20.0 | 0.80 | 40.0 | 1.60 | 70.0 | 2.76 | 68.4 | 2.69 | 75.1 | 2.96 | ✓ | ✓ |
| Z12 | 147.2 | 5.80 | 147.2 | 5.80 | 20.0 | 0.80 | 40.0 | 1.60 | 70.0 | 2.76 | 74.6 | 2.94 | 81.1 | 3.19 | ✓ | ✓ |
| Z15 | 183.3 | 7.22 | 184.3 | 7.26 | 20.0 | 0.80 | 40.0 | 1.60 | 70.0 | 2.76 | 93.2 | 3.67 | 99.2 | 3.91 | ✓ | ✓ |

Two part sprocket

| No of teeth | Pitch diameter | | Overall-diameter | | Min. ø bore | | Max. ø bore | | Hub-diameter | | A-dimension | | B-dimension | | Molded PA6 LG |
|-------------|----------------|------|------------------|------|-------------|------|-------------|------|--------------|------|-------------|------|-------------|------|---------------|
| | mm | in | mm | in | mm | in | mm | in | mm | in | mm | in | mm | in | |
| Z9 | 111.4 | 4.39 | 109.7 | 4.32 | 20.0 | 0.80 | 40.0 | 1.60 | 70.0 | 2.76 | 55.9 | 2.20 | 63.2 | 2.49 | ✓ |
| Z10 | 123.3 | 4.85 | 122.3 | 4.81 | 20.0 | 0.80 | 40.0 | 1.60 | 70.0 | 2.76 | 62.2 | 2.45 | 69.2 | 2.72 | ✓ |
| Z11 | 135.2 | 5.32 | 134.8 | 5.31 | 20.0 | 0.80 | 40.0 | 1.60 | 70.0 | 2.76 | 68.4 | 2.69 | 75.1 | 2.96 | ✓ |
| Z12 | 147.2 | 5.80 | 147.2 | 5.80 | 20.0 | 0.80 | 40.0 | 1.60 | 70.0 | 2.76 | 74.6 | 2.94 | 81.1 | 3.19 | ✓ |

Molded sprocket



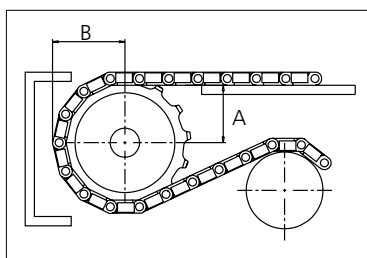
Cast iron sprocket



Molded two part sprocket



Non standard material and color:
See uni Material and Color Overview.



Please ensure that sufficient size shaft and keyway are chosen for corresponding load.

Other sprocket sizes are available upon request

Width of tooth: 15.8 mm/0.62 in

Width of sprocket: 42.3 mm/1.67 in

uni Retainer Rings: See uni Retainer Ring data sheet

uni Idler: See uni Idler data sheet

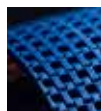
uni 880/160617



Conveyor Belts



Seamless Belts



Modular Belts



Timing Belts



Transmission Belts



Fabrication & service

Solid advice
For all your belting needs
Local stock & service
www.ammeraalbeltech.com

Ammeraal Beltech Modular A/S
Hjulmagervej 21
DK-7100 Vejle

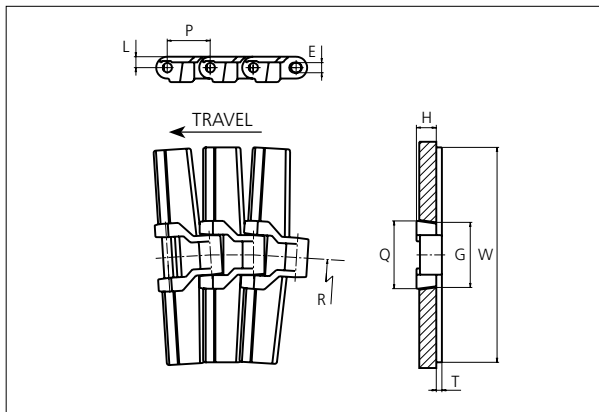
T +45 7572 3100
F +45 7572 3348
admin@unichains.com
www.unichains.com

This information is subject to alteration due to continuous development. Ammeraal Beltech will not be held liable for the incorrect use of the above stated information. This information replaces previous information. All activities performed and services rendered by Ammeraal Beltech are subject to general terms and conditions of sale and delivery, as applied by its operating companies.



Slat Top Plastic Chain

Series **uni 882** Type -



Slat Top Plastic Chain
 Side flexing chain
 Pitch: 38.1 mm (1.50 in)
 Backflex radius:
 75.0 mm (3.0 in)
 Permissible tensile strength:
 POM material:
 4000 N (899 lbf)
 Standard shipping lengths:
 boxes of 80 links
 = 3.048 m (10.0 ft)

NON STANDARD

| E | | G* | | G** | | H | | L | | P | | Q | | T | |
|-----|------|------|------|------|------|------|------|-----|------|------|------|------|------|-----|------|
| mm | in | mm | in | mm | in | mm | in | mm | in | mm | in | mm | in | mm | in |
| 8.7 | 0.34 | 58.0 | 2.28 | 63.6 | 2.50 | 17.5 | 0.69 | 9.5 | 0.37 | 38.1 | 1.50 | 60.5 | 2.38 | 5.0 | 0.20 |

*Curve. ** Straight

All dimensions are for chains in POM material.

SIDE FLEXING

| | Width (W) | | Recommended material & color | Recommended pin material | Weight | | Min. radius (R) | | |
|--------------|-----------|-------|------------------------------------|-------------------------------------|--------------|-------|-----------------|-----|-------|
| | mm | in | | | kg/m | lb/ft | mm | in | |
| K450 | 114.3 | 4.50 | POM-D W POM-LF BR | POM-D G POM-SLF DG | SS304 | 1.8 | 1.21 | 610 | 24.02 |
| K750 | 190.5 | 7.50 | POM-D W POM-LF BR | POM-D G POM-SLF DG | SS304 | 2.2 | 1.48 | 610 | 24.02 |
| K1000 | 254.0 | 10.00 | POM-D W POM-LF BR | POM-D G POM-SLF DG | SS304 | 2.5 | 1.68 | 610 | 24.02 |
| K1200 | 304.8 | 12.00 | POM-D W POM-LF BR | POM-D G POM-SLF DG | SS304 | 2.8 | 1.88 | 610 | 24.02 |

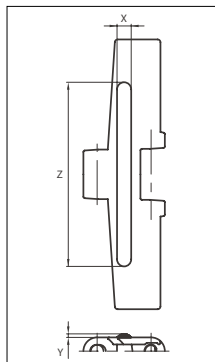
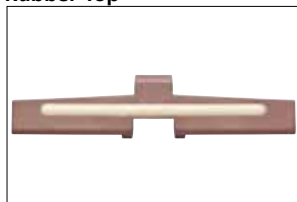
Non standard material and color: See uni Material and Color Overview.

Non standard pin material: See uni Material and Color Overview.

PITCH 38.1 MM/1.50 IN

Accessories

Rubber Top



When ordering, please state the required distance between the Rubber Top.

Other Non Standard rubber profiles: See uni Rubber Profile Overview.

| Width | Link material | Rubber material | Z | | X | | Y | |
|--------------|------------------|-----------------|-------|-------|------|------|-----|------|
| | | | mm | in | mm | in | mm | in |
| K450 | POM-LF BR | 05 I | 90.0 | 3.54 | 10.0 | 0.39 | 2.5 | 0.10 |
| | POM-D G | | | | | | | |
| K750 | POM-LF BR | 05 I | 130.0 | 5.12 | 10.0 | 0.39 | 2.5 | 0.10 |
| | POM-D G | | | | | | | |
| K1000 | POM-LF BR | 05 I | 200.0 | 7.87 | 10.0 | 0.39 | 2.5 | 0.10 |
| | POM-D G | | | | | | | |
| K1200 | POM-LF BR | 05 I | 295.0 | 11.61 | 9.0 | 0.35 | 2.5 | 0.10 |
| | POM-D G | | | | | | | |



Sprocket

| No. of teeth | Pitch diameter | | Overall diameter | | Min. ø bore | | Max. ø bore | | Hub diameter | | Dimension A | | Dimension B | | Molded PA6 LG | Molded Cast Iron | Machined PA6 |
|--------------|----------------|------|------------------|------|-------------|------|-------------|------|--------------|------|-------------|------|-------------|------|---------------|------------------|--------------|
| | mm | in | mm | in | mm | in | mm | in | mm | in | mm | in | mm | in | | | |
| Z9 | 111.4 | 4.39 | 112.7 | 4.44 | 20.0 | 0.79 | 45.0 | 1.77 | 60.0 | 2.36 | 57.1 | 2.25 | 65.4 | 2.57 | ✓ | ✓ | |
| Z10 | 123.3 | 4.85 | 125.0 | 4.92 | 20.0 | 0.79 | 45.0 | 1.77 | 65.0 | 2.56 | 63.4 | 2.50 | 71.3 | 2.81 | ✓ | ✓ | |
| Z11 | 135.2 | 5.32 | 137.4 | 5.41 | 20.0 | 0.79 | 50.0 | 1.97 | 73.5 | 2.89 | 69.6 | 2.74 | 77.3 | 3.04 | ✓ | ✓ | |
| Z12 | 147.2 | 5.80 | 150.6 | 5.93 | 20.0 | 0.79 | 50.0 | 1.97 | 73.5 | 2.89 | 75.8 | 2.98 | 83.3 | 3.28 | ✓ | ✓ | |
| Z15 | 183.3 | 7.22 | 186.9 | 7.36 | 20.0 | 0.79 | 50.0 | 1.97 | 120.0 | 4.72 | 94.3 | 3.71 | 101.3 | 3.99 | | ✓ | ✓ |

Two part sprocket

| No. of teeth | Pitch diameter | | Overall diameter | | Min. ø bore | | Max. ø bore | | Hub diameter | | Dimension A | | Dimension B | | Molded PA6 LG |
|--------------|----------------|------|------------------|------|-------------|------|-------------|------|--------------|------|-------------|------|-------------|------|---------------|
| | mm | in | mm | in | mm | in | mm | in | mm | in | mm | in | mm | in | |
| Z9 | 111.4 | 4.39 | 112.7 | 4.31 | 20.0 | 0.79 | 45.0 | 1.77 | 60.0 | 2.36 | 57.1 | 2.25 | 65.4 | 2.57 | ✓ |
| Z10 | 123.3 | 4.85 | 125.0 | 4.81 | 20.0 | 0.79 | 45.0 | 1.77 | 65.0 | 2.56 | 63.4 | 2.50 | 71.3 | 2.81 | ✓ |
| Z11 | 135.2 | 5.32 | 137.4 | 5.30 | 20.0 | 0.79 | 50.0 | 1.97 | 73.5 | 2.89 | 69.6 | 2.74 | 77.3 | 3.04 | ✓ |
| Z12 | 147.2 | 5.80 | 150.6 | 5.79 | 20.0 | 0.79 | 50.0 | 1.97 | 73.5 | 2.89 | 75.8 | 2.98 | 83.3 | 3.28 | ✓ |

Molded sprocket



Cast iron sprocket



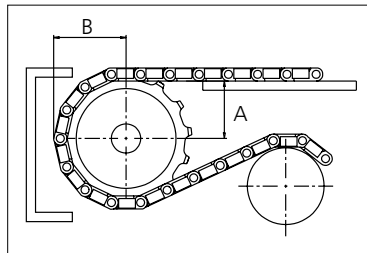
Machined sprocket



Molded two part sprocket



Non standard material and color:
See uni Material and Color Overview.



Please ensure that sufficient size shaft and keyway are chosen for corresponding load.

Other sprocket sizes are available upon request

Width of tooth: 22.20 mm/0.87 in

Width of sprocket: 42.3 mm/1.70 in

uni Retainer Rings: See uni Retainer Ring data sheet

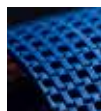
uni 882/180409



Conveyor Belts



Seamless Belts



Modular Belts



Timing Belts



Transmission Belts



Fabrication & service

Solid advice
For all your belting needs
Local stock & service
www.ammeraalbeltech.com

Ammeraal Beltech Modular A/S
Hjulmagervej 21
DK-7100 Vejle

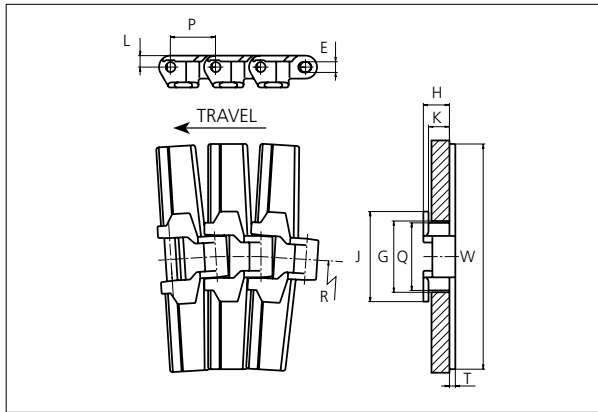
T +45 7572 3100
F +45 7572 3348
admin@unichains.com
www.unichains.com

This information is subject to alteration due to continuous development. Ammeraal Beltech will not be held liable for the incorrect use of the above stated information. This information replaces previous information. All activities performed and services rendered by Ammeraal Beltech are subject to general terms and conditions of sale and delivery, as applied by its operating companies.



Slat Top Plastic Chain

Series **uni 882** Type **Tab**



Slat Top Plastic Chain
 Side flexing chain
 Pitch: 38.1 mm (1.50 in)
 Backflex radius: 75.0 mm (3.0 in)
 Permissible tensile strength: POM material: 4000 N (899 lbf)
 Standard shipping lengths: boxes of 80 links = 3.048 m (10.0 ft)

STANDARD

| E | | G | | H | | J | | K | | L | | P | | Q | | T | |
|-----|------|------|------|------|------|------|------|------|------|-----|------|------|------|------|------|-----|------|
| mm | in | mm | in | mm | in | mm | in | mm | in | mm | in | mm | in | mm | in | mm | in |
| 8.7 | 0.34 | 59.5 | 2.34 | 22.2 | 0.87 | 76.2 | 3.00 | 17.5 | 0.69 | 9.5 | 0.37 | 38.1 | 1.50 | 57.2 | 2.25 | 5.0 | 0.20 |

All dimensions are for chains in POM material.

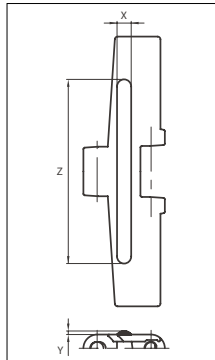
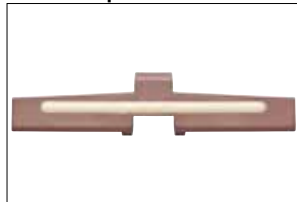
| | Width (W) | | Material & color | Pin material | Weight | | Min. radius (R) | |
|--------------|-----------|-------|------------------------------------------------------|--------------|--------|-------|-----------------|--------|
| | mm | in | | | kg/m | lb/ft | mm | in |
| K450 | 114.3 | 4.50 | POM-LF BR B | SS304 | 1.9 | 1.28 | 610 | 24.02 |
| K750 | 190.5 | 7.50 | POM-D G POM-LF BR B | SS304 | 2.3 | 1.55 | 610 | 24.02 |
| K1000 | 254.0 | 10.00 | POM-D W POM-LF BR B | SS304 | 2.7 | 1.81 | 610 | 24.02 |
| K1200 | 304.8 | 12.00 | POM-D W G POM-LF BR B | SS304 | 2.9 | 1.95 | 610 | 24.02 |
| K1500 | 381.0 | 15.00 | POM-LF BR B | SS304 | 3.1 | 2.08 | 700* | 27.56* |
| K1600 | 406.4 | 16.00 | POM-LF BR B | SS304 | 3.2 | 2.15 | 700* | 27.56* |

Non standard material and color: See uni Material and Color Overview.
 Non standart pin material: See uni Material and Color Overview.

* For uni 882 Tab-K1500 and uni 882 Tab-K1600 we recommend minimum turn radius 700 mm/27.56 in because of the chain width and the danger of links overlapping.

Accessories

Rubber Top



When ordering, please state the required distance between the Rubber Top.

Other Non Standard rubber profiles: See uni Rubber Profile Overview.

| Width | Link material | Rubber material | Z | | X | | Y | |
|--------------|------------------------------------|-----------------|-------|-------|------|------|-----|------|
| | | | mm | in | mm | in | mm | in |
| K450 | POM-LF BR | 05 I | 90.0 | 3.54 | 10.0 | 0.39 | 2.5 | 0.10 |
| K750 | POM-LF BR POM-D G | 05 I | 130.0 | 5.12 | 10.0 | 0.39 | 2.5 | 0.10 |
| K1000 | POM-LF BR | 05 I | 200.0 | 7.87 | 10.0 | 0.39 | 2.5 | 0.10 |
| K1200 | POM-LF BR POM-D G | 05 I | 295.0 | 11.61 | 9.0 | 0.35 | 2.5 | 0.10 |
| K1500 | POM-LF BR | 05 I | 295.0 | 11.61 | 8.0 | 0.31 | 2.5 | 0.10 |
| K1600 | POM-LF BR | 05 I | 295.0 | 11.61 | 8.0 | 0.31 | 2.5 | 0.10 |

SIDE FLEXING

PITCH 38.1 MM/1.50 IN



Sprocket

| No of teeth | Pitch diameter | | Overall-diameter | | Min. ø bore | | Max. ø bore | | Hub-diameter | | Dimension A | | Dimension B | | Molded PA6 LG | Molded Cast Iron | Machined PA6 LG |
|-------------|----------------|------|------------------|------|-------------|------|-------------|------|--------------|------|-------------|------|-------------|------|---------------|------------------|-----------------|
| | mm | in | mm | in | mm | in | mm | in | mm | in | mm | in | mm | in | | | |
| Z9 | 111.4 | 4.39 | 112.7 | 4.44 | 20.0 | 0.79 | 45.0 | 1.77 | 60.0 | 2.36 | 57.1 | 2.25 | 65.4 | 2.57 | ✓ | ✓ | |
| Z10 | 123.3 | 4.85 | 125.0 | 4.92 | 20.0 | 0.79 | 45.0 | 1.77 | 65.0 | 2.56 | 63.4 | 2.50 | 71.3 | 2.81 | ✓ | ✓ | |
| Z11 | 135.2 | 5.32 | 137.4 | 5.41 | 20.0 | 0.79 | 50.0 | 1.97 | 73.5 | 2.89 | 69.6 | 2.74 | 77.3 | 3.04 | ✓ | ✓ | |
| Z12 | 147.2 | 5.80 | 150.6 | 5.93 | 20.0 | 0.79 | 50.0 | 1.97 | 73.5 | 2.89 | 75.8 | 2.98 | 83.3 | 3.28 | ✓ | ✓ | |
| Z15 | 183.3 | 7.22 | 186.9 | 7.36 | 20.0 | 0.79 | 50.0 | 1.97 | 120.0 | 4.72 | 94.3 | 3.71 | 101.3 | 3.99 | | ✓ | ✓ |

Two part sprocket

| No of teeth | Pitch diameter | | Overall-diameter | | Min. ø bore | | Max. ø bore | | Hub-diameter | | Dimension A | | Dimension B | | Molded PA6 LG |
|-------------|----------------|------|------------------|------|-------------|------|-------------|------|--------------|------|-------------|------|-------------|------|---------------|
| | mm | in | mm | in | mm | in | mm | in | mm | in | mm | in | mm | in | |
| Z9 | 111.4 | 4.39 | 112.7 | 4.31 | 20.0 | 0.79 | 45.0 | 1.77 | 60.0 | 2.36 | 57.1 | 2.25 | 65.4 | 2.57 | ✓ |
| Z10 | 123.3 | 4.85 | 125.0 | 4.81 | 20.0 | 0.79 | 45.0 | 1.77 | 65.0 | 2.56 | 63.4 | 2.50 | 71.3 | 2.81 | ✓ |
| Z11 | 135.2 | 5.32 | 137.4 | 5.30 | 20.0 | 0.79 | 50.0 | 1.97 | 73.5 | 2.89 | 69.6 | 2.74 | 77.3 | 3.04 | ✓ |
| Z12 | 147.2 | 5.80 | 150.6 | 5.79 | 20.0 | 0.79 | 50.0 | 1.97 | 73.5 | 2.89 | 75.8 | 2.98 | 83.3 | 3.28 | ✓ |

Molded sprocket



Cast iron sprocket



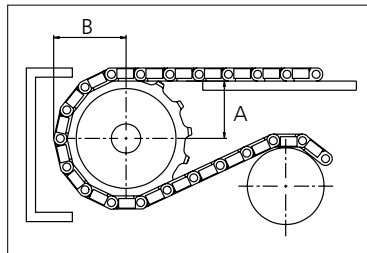
Machined sprocket



Molded two part sprocket



Non standard material and color:
See uni Material and Color Overview.



Please ensure that sufficient size shaft and keyway are chosen for corresponding load.

Other sprocket sizes are available upon request

Width of tooth: 22.20 mm/0.87 in

Width of sprocket: 42.3 mm/1.70 in

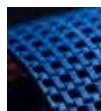
uni Retainer Rings: See uni Retainer Ring data sheet



Conveyor Belts



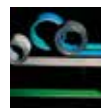
Seamless Belts



Modular Belts



Timing Belts



Transmission Belts



Fabrication & service

Expert advice, quality solutions and local service for all your belting needs
www.ammeraalbeltech.com

Ammeraal Beltech Modular A/S
Hjulmagervej 21
DK-7100 Vejle

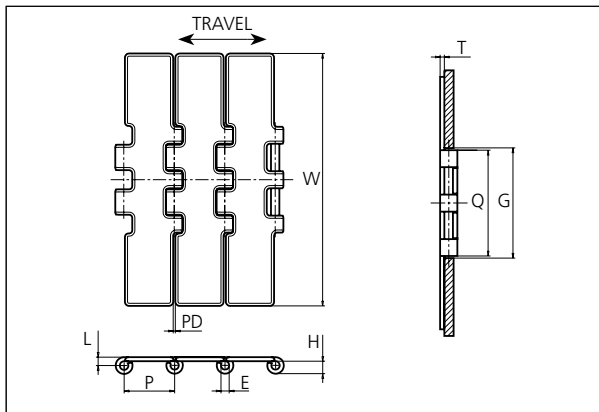
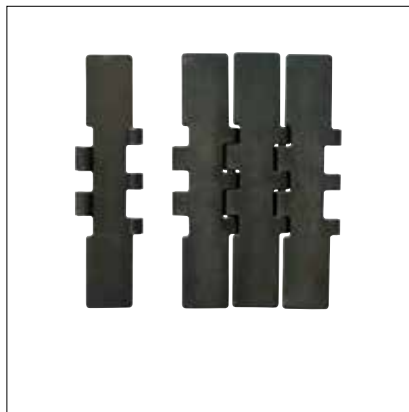
T +45 7572 3100
F +45 7572 3348
admin@unichains.com
www.unichains.com

This information is subject to alteration due to continuous development. Ammeraal Beltech will not be held liable for the incorrect use of the above stated information. This information replaces previous information. All activities performed and services rendered by Ammeraal Beltech are subject to general terms and conditions of sale and delivery, as applied by its operating companies.



Slat Top Steel Chain

Series **uni 800** Type **Double Hinge**



Slat Top Steel Chain
 Straight running chain
 Pitch: 38.1 mm (1.50 in)
 Backflex radius:
 150.0 mm (5.91 in)

 Standard shipping lengths:
 coils of 80 links
 = 3.048 m (10.0 ft)

STANDARD

| E | | G | | H | | L | | P | | Q | | T | | PD | |
|-----|------|------|------|-----|------|-----|------|------|------|------|------|-----|------|-----|------|
| mm | in | mm | in | mm | in | mm | in | mm | in | mm | in | mm | in | mm | in |
| 6.4 | 0.25 | 82.5 | 3.25 | 9.9 | 0.39 | 6.5 | 0.26 | 38.1 | 1.50 | 80.5 | 3.17 | 3.0 | 0.12 | 1.6 | 0.06 |

STRAIGHT RUNNING

| | Width (W) | | Weight | | Permissible tensile strength N/lbf | Chain material | Pin material* | Surface | |
|-------------|-----------|------|--------|-------|------------------------------------|-----------------------------------|------------------------------------|-----------|----------|
| | mm | in | kg/m | lb/ft | | | | Roughness | Hardness |
| K750 | 190.5 | 7.50 | 5.80 | 3.90 | 6000 / 1349 | S1045 (Heat-treated Carbon Steel) | S1045 (Case-hardened Carbon Steel) | > 0.5 μm | 43 HRC |

* Chains with special hardened pin (HP) for additional wear resistance and higher corrosion strength are made to order.

PITCH 38.1 MM/1.50 IN



Sprocket

| No. of teeth | Pitch diameter | | Overall diameter | | Min. ø bore | | Max. ø bore | | Hub diameter | | Dimension A | | Dimension B | | Molded Cast Iron | Machined PA6 |
|--------------|----------------|------|------------------|------|-------------|------|-------------|------|--------------|----|-------------|------|-------------|------|------------------|--------------|
| | mm | in | mm | in | mm | in | mm | in | mm | in | mm | in | mm | in | | |
| Z19 | 117.3 | 4.62 | 117.0 | 4.61 | 20.0 | 0.79 | 70.0 | 2.76 | 0 | 0 | 58.7 | 2.31 | 64.5 | 2.54 | ✓ | ✓ |
| Z21 | 129.2 | 5.09 | 130.0 | 5.12 | 20.0 | 0.79 | 70.0 | 2.76 | 0 | 0 | 65.0 | 2.56 | 70.5 | 2.78 | ✓ | ✓ |
| Z23 | 141.2 | 5.56 | 142.0 | 5.59 | 20.0 | 0.79 | 70.0 | 2.76 | 0 | 0 | 71.2 | 2.80 | 76.5 | 3.01 | ✓ | ✓ |
| Z25 | 153.2 | 6.03 | 155.0 | 6.10 | 20.0 | 0.79 | 70.0 | 2.76 | 0 | 0 | 77.4 | 3.05 | 82.5 | 3.25 | ✓ | ✓ |
| Z27 | 165.2 | 6.50 | 167.0 | 6.57 | 20.0 | 0.79 | 100.0 | 3.93 | 0 | 0 | 83.6 | 3.29 | 88.5 | 3.48 | ✓ | ✓ |
| Z29 | 177.2 | 6.98 | 179.0 | 7.05 | 20.0 | 0.79 | 110.0 | 4.33 | 0 | 0 | 89.8 | 3.54 | 94.6 | 3.72 | ✓ | ✓ |
| Z31 | 189.3 | 7.45 | 192.0 | 7.56 | 20.0 | 0.79 | 120.0 | 4.72 | 0 | 0 | 95.9 | 3.78 | 100.6 | 3.96 | ✓ | ✓ |

Two part sprocket

| No. of teeth | Pitch diameter | | Overall diameter | | Min. ø bore | | Max. ø bore | | Hub diameter | | Dimension A | | Dimension B | | Molded PA6 |
|--------------|----------------|------|------------------|------|-------------|------|-------------|------|--------------|------|-------------|------|-------------|------|------------|
| | mm | in | mm | in | mm | in | mm | in | mm | in | mm | in | mm | in | |
| Z25 | 153.2 | 6.03 | 155.0 | 6.10 | 30.0 | 1.18 | 40.0 | 1.57 | 58.0 | 2.28 | 77.4 | 3.05 | 82.5 | 3.25 | ✓ |

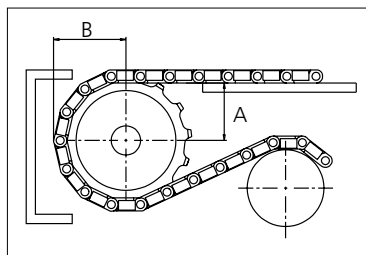
Cast iron sprocket



Machined sprocket



Molded two part sprocket



Please ensure that sufficient size shaft and keyway are chosen for corresponding load.

Other sprocket sizes are available upon request

Width of tooth: 79.4 mm/3.13 in

Width of sprocket: 79.4 mm/3.13 in

uni Retainer Rings: See uni Retainer Ring data sheet

uni Idler: See uni Idler data sheet

uni Guide Rings can be mounted on cast iron and machined sprockets. See uni Guide Rings data sheet

Non standard material and color:
See uni Material and Color Overview.



Conveyor Belts



Seamless Belts



Modular Belts



Timing Belts



Transmission Belts



Fabrication & service

Expert advice, quality solutions and local service for all your belting needs
www.ammeraalbeltech.com

Ammeraal Beltech Modular A/S
Hjulmagervej 21
DK-7100 Vejle

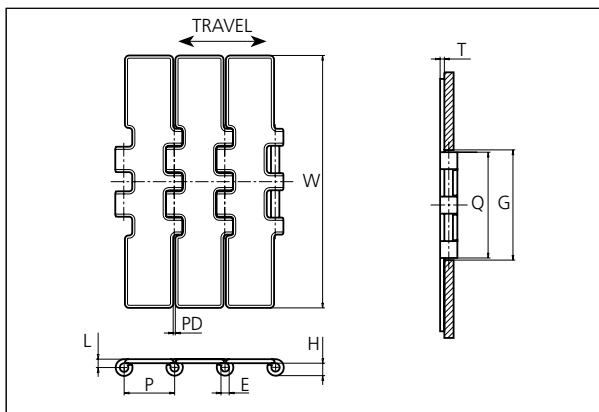
T +45 7572 3100
F +45 7572 3348
admin@unichains.com
www.unichains.com

This information is subject to alteration due to continuous development. Ammeraal Beltech will not be held liable for the incorrect use of the above stated information. This information replaces previous information. All activities performed and services rendered by Ammeraal Beltech are subject to general terms and conditions of sale and delivery, as applied by its operating companies.



Slat Top Stainless Steel Chain

Series **uni 802** Type **Double Hinge**



Slat Top Stainless Steel Chain

Straight running chain
 Pitch: 38.1 mm (1.50 in)
 Backflex radius:
 150.0 mm (5.91 in)
 Standard shipping lengths:
 coils of 80 links
 = 3.048 m (10.0 ft)

STANDARD

| E | | G | | H | | L | | P | | Q | | T | | PD | |
|-----|------|------|------|-----|------|-----|------|------|------|------|------|-----|------|-----|------|
| mm | in | mm | in | mm | in | mm | in | mm | in | mm | in | mm | in | mm | in |
| 6.4 | 0.25 | 82.5 | 3.25 | 9.9 | 0.39 | 6.5 | 0.26 | 38.1 | 1.50 | 80.5 | 3.17 | 3.0 | 0.12 | 1.6 | 0.06 |

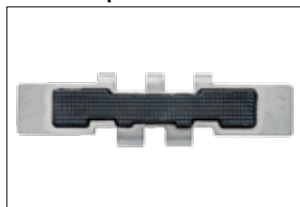
| | Width (W) | | Weight | | Permissible tensile strength N/lbf | Chain material | Pin material* | Surface | |
|-------------|-----------|------|--------|-------|------------------------------------|--------------------------------------------------|---------------------------------------------------|-----------|----------|
| | mm | in | kg/m | lb/ft | | | | Roughness | Hardness |
| K750 | 190.5 | 7.50 | 5.80 | 3.90 | 3500 / 787 | ASI 430 (Work hardened ferritic stainless steel) | AISI 431 (Work hardened magnetic stainless steel) | < 0.5 μm | 20 HRC |

STRAIGHT RUNNING

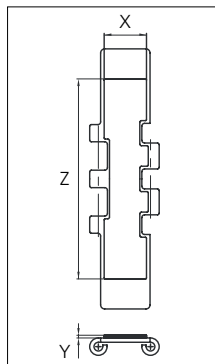
* Chains with special hardened pin (HP) for additional wear resistance and higher corrosion strength are made to order.

Accessories

Rubber Top



Non stock item. Contact Customer Service for delivery time.



| Width | Rubber material | Z | | X | | Y | |
|-------------|-----------------|-------|------|------|------|-----|------|
| | | mm | in | mm | in | mm | in |
| K750 | 06 K | 140.0 | 5.51 | 24.5 | 0.96 | 3.0 | 0.12 |

PITCH 38.1 MM/1.50 IN



Sprocket

| No. of teeth | Pitch diameter | | Overall diameter | | Min. ø bore | | Max. ø bore | | Hub diameter | | Dimension A | | Dimension B | | Molded Cast Iron | Machined PA6 |
|--------------|----------------|------|------------------|------|-------------|------|-------------|------|--------------|----|-------------|------|-------------|------|------------------|--------------|
| | mm | in | mm | in | mm | in | mm | in | mm | in | mm | in | mm | in | | |
| Z19 | 117.3 | 4.62 | 117.0 | 4.61 | 20.0 | 0.79 | 70.0 | 2.76 | 0 | 0 | 58.7 | 2.31 | 64.5 | 2.54 | ✓ | ✓ |
| Z21 | 129.2 | 5.09 | 130.0 | 5.12 | 20.0 | 0.79 | 70.0 | 2.76 | 0 | 0 | 65.0 | 2.56 | 70.5 | 2.78 | ✓ | ✓ |
| Z23 | 141.2 | 5.56 | 142.0 | 5.59 | 20.0 | 0.79 | 70.0 | 2.76 | 0 | 0 | 71.2 | 2.80 | 76.5 | 3.01 | ✓ | ✓ |
| Z25 | 153.2 | 6.03 | 155.0 | 6.10 | 20.0 | 0.79 | 70.0 | 2.76 | 0 | 0 | 77.4 | 3.05 | 82.5 | 3.25 | ✓ | ✓ |
| Z27 | 165.2 | 6.50 | 167.0 | 6.57 | 20.0 | 0.79 | 100.0 | 3.93 | 0 | 0 | 83.6 | 3.29 | 88.5 | 3.48 | ✓ | ✓ |
| Z29 | 177.2 | 6.98 | 179.0 | 7.05 | 20.0 | 0.79 | 110.0 | 4.33 | 0 | 0 | 89.8 | 3.54 | 94.6 | 3.72 | ✓ | ✓ |
| Z31 | 189.3 | 7.45 | 192.0 | 7.56 | 20.0 | 0.79 | 120.0 | 4.72 | 0 | 0 | 95.9 | 3.78 | 100.6 | 3.96 | ✓ | ✓ |

Two part sprocket

| No. of teeth | Pitch diameter | | Overall diameter | | Min. ø bore | | Max. ø bore | | Hub diameter | | Dimension A | | Dimension B | | Molded PA6 LG |
|--------------|----------------|------|------------------|------|-------------|------|-------------|------|--------------|------|-------------|------|-------------|------|---------------|
| | mm | in | mm | in | mm | in | mm | in | mm | in | mm | in | mm | in | |
| Z25 | 153.2 | 6.03 | 155.0 | 6.10 | 30.0 | 1.18 | 40.0 | 1.57 | 58.0 | 2.28 | 77.4 | 3.05 | 82.5 | 3.25 | ✓ |

Non standard material and color:
See uni Material and Color Overview.

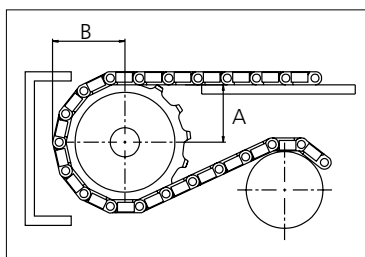
Cast iron sprocket



Machined sprocket



Molded two part sprocket



Please ensure that sufficient size shaft and keyway are chosen for corresponding load.

Other sprocket sizes are available upon request

Width of tooth: 79.4 mm/3.13 in

Width of sprocket: 79.4 mm/3.13 in

uni Retainer Rings: See uni Retainer Ring data sheet

uni Idler: See uni Idler data sheet

uni Guide Rings can be mounted on cast iron and machined sprockets. See uni Guide Rings data sheet



Conveyor Belts



Seamless Belts



Modular Belts



Timing Belts



Transmission Belts



Fabrication & service

Expert advice, quality solutions and local service for all your belting needs
www.ammeraalbeltech.com

Ammeraal Beltech Modular A/S
Hjulmagervej 21
DK-7100 Vejle

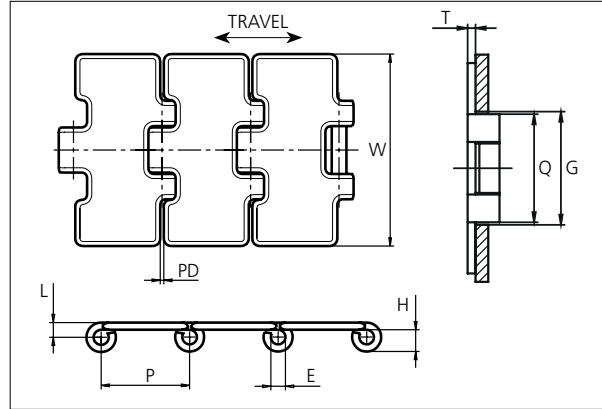
T +45 7572 3100
F +45 7572 3348
admin@unichains.com
www.unichains.com

This information is subject to alteration due to continuous development. Ammeraal Beltech will not be held liable for the incorrect use of the above stated information. This information replaces previous information. All activities performed and services rendered by Ammeraal Beltech are subject to general terms and conditions of sale and delivery, as applied by its operating companies.



Slat Top Steel Chain

Series **uni 810** Type **Single Hinge**



Slat Top Steel Chain
 Straight running chain
 Pitch: 38.1 mm (1.50 in)
 Backflex radius:
 150.0 mm (5.91 in)
 Standard shipping lengths:
 coils of 80 links
 = 3.048 m (10.0 ft)

STANDARD

| E | | G | | H | | L | | P | | Q | | T | | PD | |
|-----|------|------|------|-----|------|-----|------|------|------|------|------|-----|------|-----|------|
| mm | in | mm | in | mm | in | mm | in | mm | in | mm | in | mm | in | mm | in |
| 6.4 | 0.25 | 44.5 | 1.75 | 9.9 | 0.39 | 6.5 | 0.26 | 38.1 | 1.50 | 42.5 | 1.67 | 3.0 | 0.12 | 1.6 | 0.06 |

STRAIGHT RUNNING

| | Width (W) | | Weight | | Permissible tensile strength N/lbf | Chain material | Pin material* | Surface | |
|-------------|-----------|------|--------|-------|------------------------------------|--------------------------------------|---------------------------------------|-----------|----------|
| | mm | in | kg/m | lb/ft | | | | Roughness | Hardness |
| K225 | 57.1 | 2.25 | 2.18 | 1.46 | 4000 / 899 | S1045 (Heat-treated Carbon Steel) | S1045 (Case-hardened Carbon Steel) | > 0.5 µm | 43 HRC |
| K250 | 63.5 | 2.50 | 2.25 | 1.51 | | | | | |
| K325 | 82.6 | 3.25 | 2.65 | 1.78 | | | | | |
| K400 | 101.6 | 4.00 | 3.00 | 2.02 | | | | | |
| K450 | 114.3 | 4.50 | 3.30 | 2.22 | | | | | |
| K600 | 152.4 | 6.00 | 4.20 | 2.82 | | | | | |
| K750 | 190.5 | 7.50 | 5.10 | 3.43 | | | | | |

PITCH 38.1 MM/1.50 IN

* Chains with special hardened pin (HP) for additional wear resistance and higher corrosion strength are made to order.



Sprocket

| No. of teeth | Pitch diameter | | Overall diameter | | Min. ø bore | | Max. ø bore | | Hub diameter | | Dimension A | | Dimension B | | Molded PA6 LG | Molded Cast Iron | Machined PA6 LG |
|--------------|----------------|------|------------------|------|-------------|-----|-------------|-----|--------------|------|-------------|------|-------------|------|---------------|------------------|-----------------|
| | mm | in | mm | in | mm | in | mm | in | mm | in | mm | in | mm | in | | | |
| Z13 | 82.0 | 3.22 | 79.0 | 3.11 | 20 | 0.8 | 40 | 1.6 | n/a | n/a | 29.8 | 1.17 | 48.1 | 1.89 | | ✓ | |
| Z19 | 117.3 | 4.62 | 117.0 | 4.61 | 20 | 0.8 | 40 | 1.6 | 58 | 2.28 | 58.7 | 2.31 | 64.5 | 2.54 | ✓ | ✓ | |
| Z21 | 129.2 | 5.09 | 130.0 | 5.12 | 20 | 0.8 | 40 | 1.6 | 58 | 2.28 | 65 | 2.56 | 70.5 | 2.78 | ✓ | ✓ | |
| Z23 | 141.2 | 5.56 | 142.0 | 5.59 | 20 | 0.8 | 40 | 1.6 | 58 | 2.28 | 71.2 | 2.80 | 76.5 | 3.01 | ✓ | ✓ | |
| Z25 | 153.2 | 6.03 | 155.0 | 6.10 | 20 | 0.8 | 40 | 1.6 | 58 | 2.28 | 77.4 | 3.05 | 82.5 | 3.25 | ✓ | ✓ | |
| Z27 | 165.2 | 6.50 | 167.0 | 6.57 | 20 | 0.8 | 70 | 2.8 | n/a | n/a | 83.6 | 3.29 | 88.5 | 3.48 | | ✓ | ✓ |
| Z29 | 177.2 | 6.98 | 179.0 | 7.05 | 20 | 0.8 | 70 | 2.8 | n/a | n/a | 89.8 | 3.54 | 94.6 | 3.72 | | ✓ | ✓ |
| Z31 | 189.3 | 7.45 | 192.0 | 7.56 | 20 | 0.8 | 70 | 2.8 | n/a | n/a | 95.9 | 3.78 | 100.6 | 3.96 | | ✓ | ✓ |

Two part sprocket

| No. of teeth | Pitch diameter | | Overall diameter | | Min. ø bore | | Max. ø bore | | Hub diameter | | Dimension A | | Dimension B | | Molded PA6 LG |
|--------------|----------------|------|------------------|------|-------------|------|-------------|------|--------------|------|-------------|------|-------------|------|---------------|
| | mm | in | mm | in | mm | in | mm | in | mm | in | mm | in | mm | in | |
| Z19 | 117.3 | 4.62 | 117.0 | 4.61 | 20.0 | 0.79 | 40.0 | 1.57 | 58.0 | 2.28 | 58.7 | 2.31 | 64.5 | 2.54 | ✓ |
| Z21 | 129.2 | 5.09 | 130.0 | 5.12 | 20.0 | 0.79 | 40.0 | 1.57 | 58.0 | 2.28 | 65.0 | 2.56 | 70.5 | 2.78 | ✓ |
| Z23 | 141.2 | 5.56 | 142.0 | 5.59 | 20.0 | 0.79 | 40.0 | 1.57 | 58.0 | 2.28 | 71.2 | 2.80 | 76.5 | 3.01 | ✓ |
| Z25 | 153.2 | 6.03 | 155.0 | 6.10 | 20.0 | 0.79 | 40.0 | 1.57 | 58.0 | 2.28 | 77.4 | 3.05 | 82.5 | 3.25 | ✓ |

Molded sprocket



Cast iron sprocket



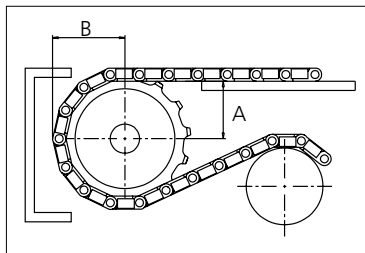
Machined sprocket



Two part sprocket



Non standard material and color:
See uni Material and Color Overview.



Please ensure that sufficient size shaft and keyway are chosen for corresponding load.

Other sprocket sizes are available upon request

Width of tooth: 42.3 mm/1.67 in

Width of sprocket: 42.3 mm/1.67 in

uni Retainer Rings: See uni Retainer Ring data sheet

uni Idler: See uni Idler data sheet

uni Guide Rings can be mounted on cast iron and machined sprockets. See uni Guide Rings data sheet



Conveyor Belts



Seamless Belts



Modular Belts



Timing Belts



Transmission Belts



Fabrication & service

Expert advice, quality solutions and local service for all your belting needs
www.ammeraalbeltech.com

Ammeraal Beltech Modular A/S
Hjulmagervej 21
DK-7100 Vejle

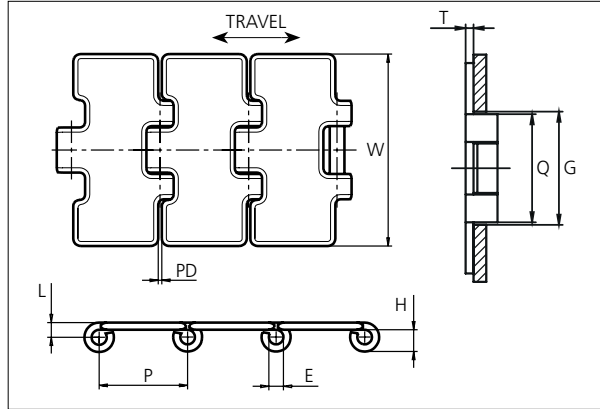
T +45 7572 3100
F +45 7572 3348
admin@unichains.com
www.unichains.com

This information is subject to alteration due to continuous development. Ammeraal Beltech will not be held liable for the incorrect use of the above stated information. This information replaces previous information. All activities performed and services rendered by Ammeraal Beltech are subject to general terms and conditions of sale and delivery, as applied by its operating companies.



Slat Top Stainless Steel Chain

Series **uni 812** Type **Single Hinge**



Slat Top Stainless Steel Chain

Straight running chain
Pitch: 38.1 mm (1.50 in)
Backflex radius:
150.0 mm (5.91 in)

Standard shipping lengths:
coils of 80 links
= 3.048 m (10.0 ft)

STANDARD

| E | | G | | H | | L | | P | | Q | | T | | PD | |
|-----|------|------|------|-----|------|-----|------|------|------|------|------|-----|------|-----|------|
| mm | in | mm | in | mm | in | mm | in | mm | in | mm | in | mm | in | mm | in |
| 6.4 | 0.25 | 44.5 | 1.75 | 9.9 | 0.39 | 6.5 | 0.26 | 38.1 | 1.50 | 42.5 | 1.67 | 3.0 | 0.12 | 1.6 | 0.06 |

STRAIGHT RUNNING

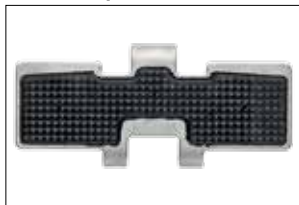
| Width (W) | | Weight | | Permissible tensile strength N/lbf | Chain material | Pin material* | Surface | |
|-------------|-------|--------|-------|------------------------------------|-----------------------------------------------------|------------------------------------------------------|-----------|----------|
| mm | in | kg/m | lb/ft | | | | Roughness | Hardness |
| K225 | 57.1 | 2.25 | 2.18 | 2250 / 506 | ASI 430 (Work hardened ferritic stainless steel) | AISI 431 (Work hardened magnetic stainless steel) | < 0.5 µm | 20 HRC |
| K250 | 63.5 | 2.50 | 2.25 | | | | | |
| K325 | 82.6 | 3.25 | 2.65 | | | | | |
| K400 | 101.6 | 4.00 | 3.00 | | | | | |
| K450 | 114.3 | 4.50 | 3.30 | | | | | |
| K600 | 152.4 | 6.00 | 4.20 | | | | | |
| K750 | 190.5 | 7.50 | 5.10 | | | | | |

PITCH 38.1 MM/1.50 IN

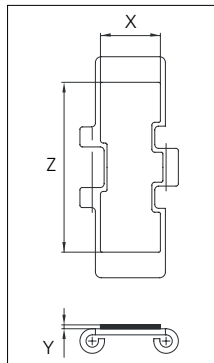
* Chains with special hardened pin (HP) for additional wear resistance and higher corrosion strength are made to order.

Accessories

Rubber Top



Non stock item. Contact Customer Service for delivery time.



| Width | Rubber material | Z | | X | | Y | |
|-------------|-----------------|-------|------|------|------|-----|------|
| | | mm | in | mm | in | mm | in |
| K125 | 06 K | 27.0 | 1.06 | 20.0 | 0.79 | 2.0 | 0.08 |
| K325 | 06 K | 77.0 | 3.03 | 30.0 | 1.18 | 2.0 | 0.08 |
| K450 | 06 K | 108.0 | 4.25 | 27.0 | 1.06 | 2.0 | 0.08 |
| K600 | 06 K | 146.0 | 5.75 | 30.0 | 1.18 | 2.0 | 0.08 |
| K750 | 06 K | 146.0 | 5.75 | 30.0 | 1.18 | 2.0 | 0.08 |



Sprocket

| No. of teeth | Pitch diameter | | Overall diameter | | Min. ø bore | | Max. ø bore | | Hub diameter | | Dimension A | | Dimension B | | Molded PA6 LG | Molded Cast Iron | Machined PA6 N |
|--------------|----------------|------|------------------|------|-------------|-----|-------------|-----|--------------|------|-------------|------|-------------|------|---------------|------------------|----------------|
| | mm | in | mm | in | mm | in | mm | in | mm | in | mm | in | mm | in | | | |
| Z13 | 82.0 | 3.22 | 79.0 | 3.11 | 20 | 0.8 | 40 | 1.6 | n/a | n/a | 29.8 | 1.17 | 48.1 | 1.89 | | ✓ | |
| Z19 | 117.3 | 4.62 | 117.0 | 4.61 | 20 | 0.8 | 40 | 1.6 | 58 | 2.28 | 58.7 | 2.31 | 64.5 | 2.54 | ✓ | ✓ | |
| Z21 | 129.2 | 5.09 | 130.0 | 5.12 | 20 | 0.8 | 40 | 1.6 | 58 | 2.28 | 65 | 2.56 | 70.5 | 2.78 | ✓ | ✓ | |
| Z23 | 141.2 | 5.56 | 142.0 | 5.59 | 20 | 0.8 | 40 | 1.6 | 58 | 2.28 | 71.2 | 2.80 | 76.5 | 3.01 | ✓ | ✓ | |
| Z25 | 153.2 | 6.03 | 155.0 | 6.10 | 20 | 0.8 | 40 | 1.6 | 58 | 2.28 | 77.4 | 3.05 | 82.5 | 3.25 | ✓ | ✓ | |
| Z27 | 165.2 | 6.50 | 167.0 | 6.57 | 20 | 0.8 | 70 | 2.8 | n/a | n/a | 83.6 | 3.29 | 88.5 | 3.48 | | ✓ | ✓ |
| Z29 | 177.2 | 6.98 | 179.0 | 7.05 | 20 | 0.8 | 70 | 2.8 | n/a | n/a | 89.8 | 3.54 | 94.6 | 3.72 | | ✓ | ✓ |
| Z31 | 189.3 | 7.45 | 192.0 | 7.56 | 20 | 0.8 | 70 | 2.8 | n/a | n/a | 95.9 | 3.78 | 100.6 | 3.96 | | ✓ | ✓ |

Two part sprocket

| No. of teeth | Pitch diameter | | Overall diameter | | Min. ø bore | | Max. ø bore | | Hub diameter | | Dimension A | | Dimension B | | Molded PA6 LG | Molded Cast Iron | Machined PA6 N |
|--------------|----------------|------|------------------|------|-------------|------|-------------|------|--------------|------|-------------|------|-------------|------|---------------|------------------|----------------|
| | mm | in | mm | in | mm | in | mm | in | mm | in | mm | in | mm | in | | | |
| Z19 | 117.3 | 4.62 | 117.0 | 4.61 | 20.0 | 0.79 | 40.0 | 1.57 | 58.0 | 2.28 | 58.7 | 2.31 | 64.5 | 2.54 | ✓ | | |
| Z21 | 129.2 | 5.09 | 130.0 | 5.12 | 20.0 | 0.79 | 40.0 | 1.57 | 58.0 | 2.28 | 65.0 | 2.56 | 70.5 | 2.78 | ✓ | | |
| Z23 | 141.2 | 5.56 | 142.0 | 5.59 | 20.0 | 0.79 | 40.0 | 1.57 | 58.0 | 2.28 | 71.2 | 2.80 | 76.5 | 3.01 | ✓ | | |
| Z25 | 153.2 | 6.03 | 155.0 | 6.10 | 20.0 | 0.79 | 40.0 | 1.57 | 58.0 | 2.28 | 77.4 | 3.05 | 82.5 | 3.25 | ✓ | | |

Molded sprocket



Cast iron sprocket



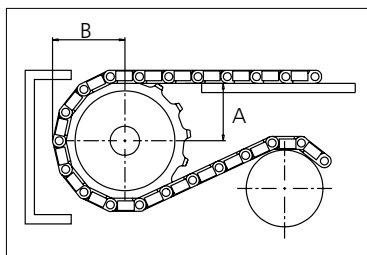
Machined sprocket



Two part sprocket



Non standard material and color:
See uni Material and Color Overview.



Please ensure that sufficient size shaft and keyway are chosen for corresponding load.

Other sprocket sizes are available upon request

Width of tooth: 42.3 mm/1.67 in

Width of sprocket: 42.3 mm/1.67 in

uni Retainer Rings: See uni Retainer Ring data sheet

uni Idler: See uni Idler data sheet

uni Guide Rings can be mounted on cast iron and machined sprockets. See uni Guide Rings data sheet



Conveyor Belts



Seamless Belts



Modular Belts



Timing Belts



Transmission Belts



Fabrication & service

Expert advice, quality solutions and local service for all your belting needs
www.ammeraalbeltech.com

Ammeraal Beltech Modular A/S
Hjulmagervej 21
DK-7100 Vejle

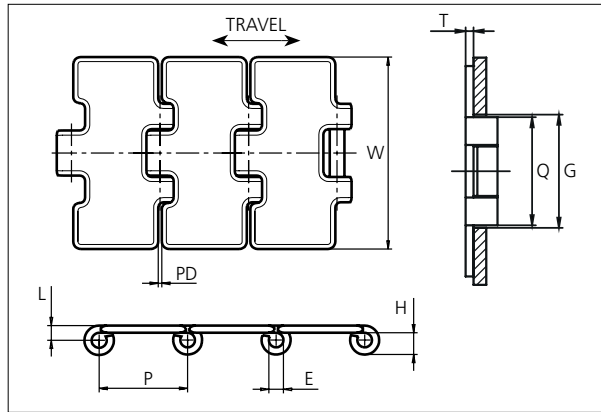
T +45 7572 3100
F +45 7572 3348
admin@unichains.com
www.unichains.com

This information is subject to alteration due to continuous development. Ammeraal Beltech will not be held liable for the incorrect use of the above stated information. This information replaces previous information. All activities performed and services rendered by Ammeraal Beltech are subject to general terms and conditions of sale and delivery, as applied by its operating companies.



Slat Top Stainless Steel Chain

Series **uni 815** Type **Single Hinge**



Slat Top Stainless Steel Chain
 Straight running chain
 Pitch: 38.1 mm (1.50 in)
 Backflex radius:
 150.0 mm (5.91 in)
 Standard shipping lengths:
 coils of 80 links
 = 3.048 m (10.0 ft)

STANDARD

| E | | G | | H | | L | | P | | Q | | T | | PD | |
|-----|------|------|------|-----|------|-----|------|------|------|------|------|-----|------|-----|------|
| mm | in | mm | in | mm | in | mm | in | mm | in | mm | in | mm | in | mm | in |
| 6.4 | 0.25 | 44.5 | 1.75 | 9.9 | 0.39 | 6.5 | 0.26 | 38.1 | 1.50 | 42.5 | 1.67 | 3.0 | 0.12 | 1.6 | 0.06 |

STRAIGHT RUNNING

| Width (W) | | Weight | | Permissible tensile strength N/lbf | Chain material | Pin material* | Surface | | |
|-------------|-------|--------|-------|------------------------------------|-----------------------------------------------------------------------------------|-----------------------------------------------------------------------------------|-----------|----------|------|
| mm | in | kg/m | lb/ft | | | | Roughness | Hardness | |
| K250 | 63.5 | 2.50 | 2.25 | 2250 / 506 | AISI 304 (Work hardened Crome-nickel 18/8 austenitic Stainless Steel) | AISI 304 (Work hardened Crome-nickel 18/8 austenitic Stainless Steel) | < 0.5 µm | 26 HRC | |
| K325 | 82.6 | 3.25 | 2.65 | | | | | | 1.78 |
| K400 | 101.6 | 4.00 | 3.00 | | | | | | 2.02 |
| K450 | 114.3 | 4.50 | 3.30 | | | | | | 2.22 |
| K600 | 152.4 | 6.00 | 4.20 | | | | | | 2.82 |
| K750 | 190.5 | 7.50 | 5.10 | | | | | | 3.43 |

PITCH 38.1 MM/1.50 IN

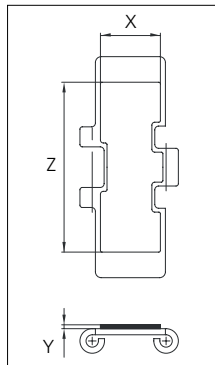
* Chains with special hardened pin (HP) for additional wear resistance and higher corrosion strength are made to order.

Accessories

Rubber Top



Non stock item. Contact Customer Service for delivery time.



| Width | Rubber material | Z | | X | | Y | |
|-------------|-----------------|-------|------|------|------|-----|------|
| | | mm | in | mm | in | mm | in |
| K325 | 06 K | 77.0 | 3.03 | 30.0 | 1.18 | 2.0 | 0.08 |
| K450 | 06 K | 108.0 | 4.25 | 27.0 | 1.06 | 2.0 | 0.08 |
| K600 | 06 K | 146.0 | 5.75 | 30.0 | 1.18 | 2.0 | 0.08 |
| K750 | 06 K | 146.0 | 5.75 | 30.0 | 1.18 | 2.0 | 0.08 |



Sprocket

| No. of teeth | Pitch diameter | | Overall diameter | | Min. ø bore | | Max. ø bore | | Hub diameter | | Dimension A | | Dimension B | | Molded PA6 LG | Molded Cast Iron | Machined PA6 N |
|--------------|----------------|------|------------------|------|-------------|-----|-------------|-----|--------------|------|-------------|------|-------------|------|---------------|------------------|----------------|
| | mm | in | mm | in | mm | in | mm | in | mm | in | mm | in | mm | in | | | |
| Z13 | 82.0 | 3.22 | 79.0 | 3.11 | 20 | 0.8 | 40 | 1.6 | n/a | n/a | 29.8 | 1.17 | 48.1 | 1.89 | | ✓ | |
| Z19 | 117.3 | 4.62 | 117.0 | 4.61 | 20 | 0.8 | 40 | 1.6 | 58 | 2.28 | 58.7 | 2.31 | 64.5 | 2.54 | ✓ | ✓ | |
| Z21 | 129.2 | 5.09 | 130.0 | 5.12 | 20 | 0.8 | 40 | 1.6 | 58 | 2.28 | 65 | 2.56 | 70.5 | 2.78 | ✓ | ✓ | |
| Z23 | 141.2 | 5.56 | 142.0 | 5.59 | 20 | 0.8 | 40 | 1.6 | 58 | 2.28 | 71.2 | 2.80 | 76.5 | 3.01 | ✓ | ✓ | |
| Z25 | 153.2 | 6.03 | 155.0 | 6.10 | 20 | 0.8 | 40 | 1.6 | 58 | 2.28 | 77.4 | 3.05 | 82.5 | 3.25 | ✓ | ✓ | |
| Z27 | 165.2 | 6.50 | 167.0 | 6.57 | 20 | 0.8 | 70 | 2.8 | n/a | n/a | 83.6 | 3.29 | 88.5 | 3.48 | | ✓ | ✓ |
| Z29 | 177.2 | 6.98 | 179.0 | 7.05 | 20 | 0.8 | 70 | 2.8 | n/a | n/a | 89.8 | 3.54 | 94.6 | 3.72 | | ✓ | ✓ |
| Z31 | 189.3 | 7.45 | 192.0 | 7.56 | 20 | 0.8 | 70 | 2.8 | n/a | n/a | 95.9 | 3.78 | 100.6 | 3.96 | | ✓ | ✓ |

Two part sprocket

| No. of teeth | Pitch diameter | | Overall diameter | | Min. ø bore | | Max. ø bore | | Hub diameter | | Dimension A | | Dimension B | | Molded PA6 LG |
|--------------|----------------|------|------------------|------|-------------|------|-------------|------|--------------|------|-------------|------|-------------|------|---------------|
| | mm | in | mm | in | mm | in | mm | in | mm | in | mm | in | mm | in | |
| Z19 | 117.3 | 4.62 | 117.0 | 4.61 | 20.0 | 0.79 | 40.0 | 1.57 | 58.0 | 2.28 | 58.7 | 2.31 | 64.5 | 2.54 | ✓ |
| Z21 | 129.2 | 5.09 | 130.0 | 5.12 | 20.0 | 0.79 | 40.0 | 1.57 | 58.0 | 2.28 | 65.0 | 2.56 | 70.5 | 2.78 | ✓ |
| Z23 | 141.2 | 5.56 | 142.0 | 5.59 | 20.0 | 0.79 | 40.0 | 1.57 | 58.0 | 2.28 | 71.2 | 2.80 | 76.5 | 3.01 | ✓ |
| Z25 | 153.2 | 6.03 | 155.0 | 6.10 | 20.0 | 0.79 | 40.0 | 1.57 | 58.0 | 2.28 | 77.4 | 3.05 | 82.5 | 3.25 | ✓ |

Molded sprocket



Cast iron sprocket



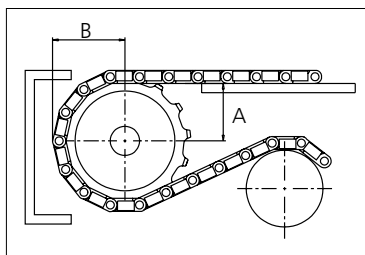
Machined sprocket



Two part sprocket



Non standard material and color:
See uni Material and Color Overview.



Please ensure that sufficient size shaft and keyway are chosen for corresponding load.

Other sprocket sizes are available upon request

Width of tooth: 42.3 mm/1.67 in

Width of sprocket: 42.3 mm/1.67 in

uni Retainer Rings: See uni Retainer Ring data sheet

uni Idler: See uni Idler data sheet

uni Guide Rings can be mounted on cast iron and machined sprockets. See uni Guide Rings data sheet



Conveyor Belts



Seamless Belts



Modular Belts



Timing Belts



Transmission Belts



Fabrication & service

Expert advice, quality solutions and local service for all your belting needs
www.ammeraalbeltech.com

Ammeraal Beltech Modular A/S
Hjulmagervej 21
DK-7100 Vejle

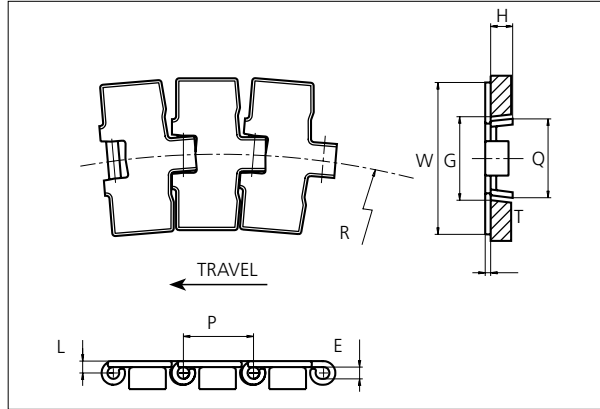
T +45 7572 3100
F +45 7572 3348
admin@unichains.com
www.unichains.com

This information is subject to alteration due to continuous development. Ammeraal Beltech will not be held liable for the incorrect use of the above stated information. This information replaces previous information. All activities performed and services rendered by Ammeraal Beltech are subject to general terms and conditions of sale and delivery, as applied by its operating companies.



Slat Top Stainless Steel Chain

Series **uni 881** Type **Bevel**



Slat Top Stainless Steel Chain
 Side flexing chain
 Pitch: 38.1 mm (1.50 in)
 Backflex radius:
 76.2 mm (3.00 in)
 Standard shipping lengths:
 coils of 80 links
 = 3.048 m (10.0 ft)

NON STANDARD

| E | | G* | | G** | | H | | L | | P | | Q | | T | |
|-----|------|------|------|------|------|------|------|-----|------|------|------|------|------|-----|------|
| mm | in | mm | in | mm | in | mm | in | mm | in | mm | in | mm | in | mm | in |
| 6.4 | 0.25 | 41.3 | 1.63 | 46.6 | 1.83 | 11.2 | 0.44 | 6.5 | 0.26 | 38.1 | 1.50 | 43.0 | 1.69 | 3.0 | 0.12 |

*Curve, ** Straight

| | Width (W) | | Min. radius (R) | | Weight | | Permissible tensile strength N/lbf | Chain material | Pin material* | Surface | |
|-------------|-----------|------|-----------------|-------|--------|-------|------------------------------------|------------------------------------------------------|------------------------------------------------------|-----------|----------|
| | mm | in | mm | in | kg/m | lb/ft | | | | Roughness | Hardness |
| K325 | 82.6 | 3.25 | 457 | 17.99 | 2.90 | 1.95 | 2250 / 506 | AISI 430 (Work hardened ferritic Stainless Steel) | AISI 431 (Work hardened magnetic Stainless Steel) | < 0.5 µm | 20 HRC |
| K450 | 114.3 | 4.50 | 500 | 19.69 | 3.60 | 2.42 | | | | | |
| K750 | 190.5 | 7.50 | 500 | 19.69 | 5.30 | 3.56 | | | | | |

* Chains with special hardened pin (HP) for additional wear resistance and higher corrosion strength are made to order.

SIDE FLEXING

PITCH 38.1 MM/1.50 IN



Sprocket

| No of teeth | Pitch diameter | | Overall-diameter | | Min. ø bore | | Max. ø bore | | Hub-diameter | | A-dimension | | B-dimension | | Molded PA6 LG | Molded Cast Iron | Machined PA6 |
|-------------|----------------|------|------------------|------|-------------|------|-------------|------|--------------|------|-------------|------|-------------|------|---------------|------------------|--------------|
| | mm | in | mm | in | mm | in | mm | in | mm | in | mm | in | mm | in | | | |
| Z19 | 117.3 | 4.62 | 117.0 | 4.61 | 20.0 | 0.79 | 40.0 | 1.57 | 58.0 | 2.28 | 58.7 | 2.31 | 64.5 | 2.54 | ✓ | ✓ | |
| Z21 | 129.2 | 5.09 | 130.0 | 5.12 | 20.0 | 0.79 | 40.0 | 1.57 | 58.0 | 2.28 | 65.0 | 2.56 | 70.5 | 2.78 | ✓ | ✓ | |
| Z23 | 141.2 | 5.56 | 142.0 | 5.59 | 20.0 | 0.79 | 40.0 | 1.57 | 58.0 | 2.28 | 71.2 | 2.80 | 76.5 | 3.01 | ✓ | ✓ | |
| Z25 | 153.2 | 6.03 | 155.0 | 6.10 | 20.0 | 0.79 | 40.0 | 1.57 | 58.0 | 2.28 | 77.4 | 3.05 | 82.5 | 3.25 | ✓ | ✓ | |
| Z27 | 165.2 | 6.50 | 167.0 | 6.57 | 20.0 | 0.79 | 70.0 | 2.76 | n/a | n/a | 83.6 | 3.29 | 88.5 | 3.48 | | ✓ | ✓ |
| Z29 | 177.2 | 6.98 | 179.0 | 7.05 | 20.0 | 0.79 | 70.0 | 2.76 | n/a | n/a | 89.8 | 3.54 | 94.6 | 3.72 | | ✓ | ✓ |
| Z31 | 189.3 | 7.45 | 192.0 | 7.56 | 20.0 | 0.79 | 70.0 | 2.76 | n/a | n/a | 95.9 | 3.78 | 100.6 | 3.96 | | ✓ | ✓ |

Two part sprocket

| No of teeth | Pitch diameter | | Overall-diameter | | Min. ø bore | | Max. ø bore | | Hub-diameter | | A-dimension | | B-dimension | | Molded PA6 LG |
|-------------|----------------|------|------------------|------|-------------|------|-------------|------|--------------|------|-------------|------|-------------|------|---------------|
| | mm | in | mm | in | mm | in | mm | in | mm | in | mm | in | mm | in | |
| Z19 | 117.3 | 4.62 | 117.0 | 4.61 | 20.0 | 0.79 | 40.0 | 1.57 | 58.0 | 2.28 | 58.7 | 2.31 | 64.5 | 2.54 | ✓ |
| Z21 | 129.2 | 5.09 | 130.0 | 5.12 | 20.0 | 0.79 | 40.0 | 1.57 | 58.0 | 2.28 | 65.0 | 2.56 | 70.5 | 2.78 | ✓ |
| Z23 | 141.2 | 5.56 | 142.0 | 5.59 | 20.0 | 0.79 | 40.0 | 1.57 | 58.0 | 2.28 | 71.2 | 2.80 | 76.5 | 3.01 | ✓ |
| Z25 | 153.2 | 6.03 | 155.0 | 6.10 | 20.0 | 0.79 | 40.0 | 1.57 | 58.0 | 2.28 | 77.4 | 3.05 | 82.5 | 3.25 | ✓ |

Molded sprocket



Cast iron sprocket



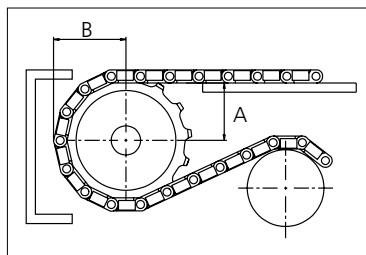
Machined sprocket



Two part sprocket



Non standard material and color:
See uni Material and Color Overview.



Please ensure that sufficient size shaft and keyway are chosen for corresponding load.

Other sprocket sizes are available upon request

Width of tooth: 31.8 mm/1.25 in

Width of sprocket: 42.3 mm/1.67 in

uni Retainer Rings: See uni Retainer Ring data sheet

uni Guide Rings can be mounted on cast iron and machined sprockets. See uni Guide Rings data sheet



Conveyor Belts



Seamless Belts



Modular Belts



Timing Belts



Transmission Belts



Fabrication & service

Expert advice, quality solutions and local service for all your belting needs
www.ammeraalbeltech.com

Ammeraal Beltech Modular A/S
Hjulmagervej 21
DK-7100 Vejle

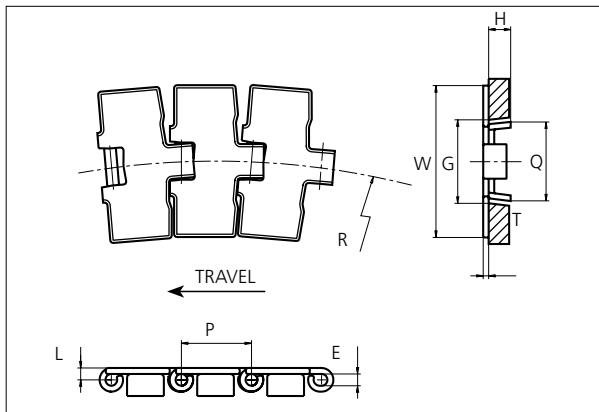
T +45 7572 3100
F +45 7572 3348
admin@unichains.com
www.unichains.com

This information is subject to alteration due to continuous development. Ammeraal Beltech will not be held liable for the incorrect use of the above stated information. This information replaces previous information. All activities performed and services rendered by Ammeraal Beltech are subject to general terms and conditions of sale and delivery, as applied by its operating companies.



Slat Top Stainless Steel Chain

Series **uni 881** Type **Bevel**



Slat Top Stainless Steel Chain

Side flexing chain
Pitch: 38.1 mm (1.50 in)
Backflex radius:
76.2 mm (3.00 in)

Standard shipping lengths:
coils of 80 links
= 3.048 m (10.0 ft)

| E | | G* | | G** | | H | | L | | P | | Q | | T | |
|-----|------|------|------|------|------|------|------|-----|------|------|------|------|------|-----|------|
| mm | in | mm | in | mm | in | mm | in | mm | in | mm | in | mm | in | mm | in |
| 6.4 | 0.25 | 41.3 | 1.63 | 46.6 | 1.83 | 11.2 | 0.44 | 6.5 | 0.26 | 38.1 | 1.50 | 43.0 | 1.69 | 3.0 | 0.12 |

*Curve, ** Straight

| | Width (W) | | Min. radius (R) | | Weight | | Permissible tensile strength N/lbf | Chain material | Pin material* | Surface | |
|-------------|-----------|------|-----------------|-------|--------|-------|------------------------------------|-----------------------------------------------------------------------------------|-----------------------------------------------------------------------------------|-----------|----------|
| | mm | in | mm | in | kg/m | lb/ft | | | | Roughness | Hardness |
| K325 | 82.6 | 3.25 | 457 | 17.99 | 2.90 | 1.95 | 2250 / 506 | AISI 304 (Work hardened Crome-nockel 18/8 austenitic Stainless Steel) | AISI 304 (Work hardened Crome-nockel 18/8 austenitic Stainless Steel) | < 0.5 µm | 26 HRC |
| K450 | 114.3 | 4.50 | 500 | 19.69 | 3.60 | 2.42 | | | | | |
| K750 | 190.5 | 7.50 | 500 | 19.69 | 5.30 | 3.56 | | | | | |

* Chains with special hardened pin (HP) for additional wear resistance and higher corrosion strength are made to order.

NON STANDARD

SIDE FLEXING

PITCH 38.1 MM/1.50 IN



Sprocket

| No of teeth | Pitch diameter | | Overall-diameter | | Min. ø bore | | Max. ø bore | | Hub-diameter | | A-dimension | | B-dimension | | Molded PA6 LG | Molded Cast Iron | Machined PA6 |
|-------------|----------------|------|------------------|------|-------------|------|-------------|------|--------------|------|-------------|------|-------------|------|---------------|------------------|--------------|
| | mm | in | mm | in | mm | in | mm | in | mm | in | mm | in | mm | in | ✓ | ✓ | ✓ |
| Z19 | 117.3 | 4.62 | 117.0 | 4.61 | 20.0 | 0.79 | 40.0 | 1.57 | 58.0 | 2.28 | 58.7 | 2.31 | 64.5 | 2.54 | ✓ | ✓ | |
| Z21 | 129.2 | 5.09 | 130.0 | 5.12 | 20.0 | 0.79 | 40.0 | 1.57 | 58.0 | 2.28 | 65.0 | 2.56 | 70.5 | 2.78 | ✓ | ✓ | |
| Z23 | 141.2 | 5.56 | 142.0 | 5.59 | 20.0 | 0.79 | 40.0 | 1.57 | 58.0 | 2.28 | 71.2 | 2.80 | 76.5 | 3.01 | ✓ | ✓ | |
| Z25 | 153.2 | 6.03 | 155.0 | 6.10 | 20.0 | 0.79 | 40.0 | 1.57 | 58.0 | 2.28 | 77.4 | 3.05 | 82.5 | 3.25 | ✓ | ✓ | |
| Z27 | 165.2 | 6.50 | 167.0 | 6.57 | 20.0 | 0.79 | 70.0 | 2.76 | n/a | n/a | 83.6 | 3.29 | 88.5 | 3.48 | | ✓ | ✓ |
| Z29 | 177.2 | 6.98 | 179.0 | 7.05 | 20.0 | 0.79 | 70.0 | 2.76 | n/a | n/a | 89.8 | 3.54 | 94.6 | 3.72 | | ✓ | ✓ |
| Z31 | 189.3 | 7.45 | 192.0 | 7.56 | 20.0 | 0.79 | 70.0 | 2.76 | n/a | n/a | 95.9 | 3.78 | 100.6 | 3.96 | | ✓ | ✓ |

Two part sprocket

| No of teeth | Pitch diameter | | Overall-diameter | | Min. ø bore | | Max. ø bore | | Hub-diameter | | A-dimension | | B-dimension | | Molded PA6 LG |
|-------------|----------------|------|------------------|------|-------------|------|-------------|------|--------------|------|-------------|------|-------------|------|---------------|
| | mm | in | mm | in | mm | in | mm | in | mm | in | mm | in | mm | in | ✓ |
| Z19 | 117.3 | 4.62 | 117.0 | 4.61 | 20.0 | 0.79 | 40.0 | 1.57 | 58.0 | 2.28 | 58.7 | 2.31 | 64.5 | 2.54 | ✓ |
| Z21 | 129.2 | 5.09 | 130.0 | 5.12 | 20.0 | 0.79 | 40.0 | 1.57 | 58.0 | 2.28 | 65.0 | 2.56 | 70.5 | 2.78 | ✓ |
| Z23 | 141.2 | 5.56 | 142.0 | 5.59 | 20.0 | 0.79 | 40.0 | 1.57 | 58.0 | 2.28 | 71.2 | 2.80 | 76.5 | 3.01 | ✓ |
| Z25 | 153.2 | 6.03 | 155.0 | 6.10 | 20.0 | 0.79 | 40.0 | 1.57 | 58.0 | 2.28 | 77.4 | 3.05 | 82.5 | 3.25 | ✓ |

Molded sprocket



Cast iron sprocket



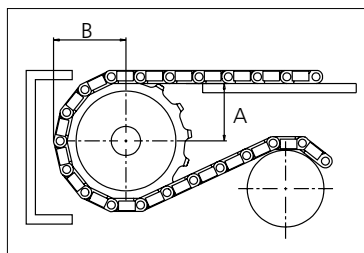
Machined sprocket



Two part sprocket



Non standard material and color:
See uni Material and Color Overview.



Please ensure that sufficient size shaft and keyway are chosen for corresponding load.

Other sprocket sizes are available upon request

Width of tooth: 31.8 mm/1.25 in

Width of sprocket: 42.3 mm/1.67 in

uni Retainer Rings: See uni Retainer Ring data sheet

uni Guide Rings can be mounted on cast iron and machined sprockets. See uni Guide Rings data sheet



Conveyor Belts



Seamless Belts



Modular Belts



Timing Belts



Transmission Belts



Fabrication & service

Expert advice, quality solutions and local service for all your belting needs
www.ammeraalbeltech.com

Ammeraal Beltech Modular A/S
Hjulmagervej 21
DK-7100 Vejle

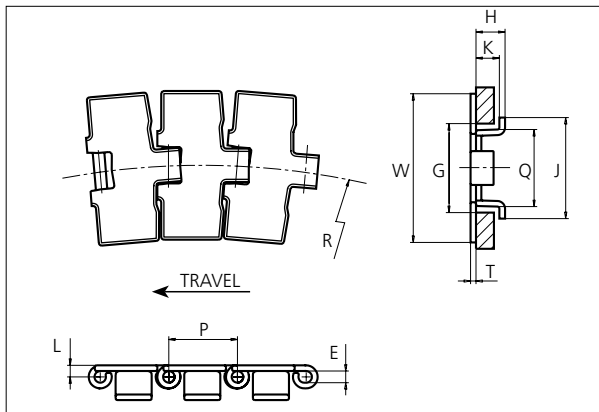
T +45 7572 3100
F +45 7572 3348
admin@unichains.com
www.unichains.com

This information is subject to alteration due to continuous development. Ammeraal Beltech will not be held liable for the incorrect use of the above stated information. This information replaces previous information. All activities performed and services rendered by Ammeraal Beltech are subject to general terms and conditions of sale and delivery, as applied by its operating companies.



Slat Top Steel Chain

Series **uni 881** Type **Tab**



Slat Top Steel Chain
 Side flexing chain
 Pitch: 38.1 mm (1.50 in)
 Backflex radius:
 76.2 mm (3.00 in)
 Standard shipping lengths:
 coils of 80 links
 = 3.048 m (10.0 ft)

STANDARD

| E | | G | | H | | J | | K | | L | | P | | Q | | T | |
|-----|------|------|------|------|------|------|------|------|------|-----|------|------|------|------|------|-----|------|
| mm | in | mm | in | mm | in | mm | in | mm | in | mm | in | mm | in | mm | in | mm | in |
| 6.4 | 0.25 | 44.5 | 1.75 | 16.3 | 0.64 | 56.2 | 2.21 | 12.7 | 0.50 | 6.5 | 0.26 | 38.1 | 1.50 | 43.0 | 1.69 | 3.0 | 0.12 |

SIDE FLEXING

| | Width (W) | | Min. radius (R) | | Weight | | Permissible tensile strength N/lbf | Chain material | Pin material* | Surface | |
|-------------|-----------|------|-----------------|-------|--------|-------|------------------------------------|--------------------------------------|---------------------------------------|-----------|----------|
| | mm | in | mm | in | kg/m | lb/ft | | | | Roughness | Hardness |
| K325 | 82.6 | 3.25 | 457 | 17.99 | 2.90 | 1.95 | 4000 / 899 | S1045 (Heat-treated Carbon Steel) | S1045 (Case-hardened Carbon Steel) | < 0.5 µm | 43 HRC |
| K450 | 114.3 | 4.50 | 500 | 19.69 | 3.60 | 2.42 | | | | | |
| K750 | 190.5 | 7.50 | 500 | 19.69 | 5.30 | 3.56 | | | | | |

* Chains with special hardened pin (HP) for additional wear resistance and higher corrosion strength are made to order.

PITCH 38.1 MM/1.50 IN



Sprocket

| No of teeth | Pitch diameter | | Overall-diameter | | Min. ø bore | | Max. ø bore | | Hub-diameter | | Dimension A | | Dimension B | | Molded PA6 LG | Molded Cast Iron | Machined PA6 |
|-------------|----------------|------|------------------|------|-------------|------|-------------|------|--------------|------|-------------|------|-------------|------|---------------|------------------|--------------|
| | mm | in | mm | in | mm | in | mm | in | mm | in | mm | in | mm | in | | | |
| Z19 | 117.3 | 4.62 | 117.0 | 4.61 | 20.0 | 0.79 | 40.0 | 1.57 | 58.0 | 2.28 | 58.7 | 2.31 | 64.5 | 2.54 | ✓ | ✓ | |
| Z21 | 129.2 | 5.09 | 130.0 | 5.12 | 20.0 | 0.79 | 40.0 | 1.57 | 58.0 | 2.28 | 65.0 | 2.56 | 70.5 | 2.78 | ✓ | ✓ | |
| Z23 | 141.2 | 5.56 | 142.0 | 5.59 | 20.0 | 0.79 | 40.0 | 1.57 | 58.0 | 2.28 | 71.2 | 2.80 | 76.5 | 3.01 | ✓ | ✓ | |
| Z25 | 153.2 | 6.03 | 155.0 | 6.10 | 20.0 | 0.79 | 40.0 | 1.57 | 58.0 | 2.28 | 77.4 | 3.05 | 82.5 | 3.25 | ✓ | ✓ | |
| Z27 | 165.2 | 6.50 | 167.0 | 6.57 | 20.0 | 0.79 | 70.0 | 2.76 | n/a | n/a | 83.6 | 3.29 | 88.5 | 3.48 | | ✓ | ✓ |
| Z29 | 177.2 | 6.98 | 179.0 | 7.05 | 20.0 | 0.79 | 70.0 | 2.76 | n/a | n/a | 89.8 | 3.54 | 94.6 | 3.72 | | ✓ | ✓ |
| Z31 | 189.3 | 7.45 | 192.0 | 7.56 | 20.0 | 0.79 | 70.0 | 2.76 | n/a | n/a | 95.9 | 3.78 | 100.6 | 3.96 | | ✓ | ✓ |

Two part sprocket

| No of teeth | Pitch diameter | | Overall-diameter | | Min. ø bore | | Max. ø bore | | Hub-diameter | | Dimension A | | Dimension B | | Molded PA6 LG |
|-------------|----------------|------|------------------|------|-------------|------|-------------|------|--------------|------|-------------|------|-------------|------|---------------|
| | mm | in | mm | in | mm | in | mm | in | mm | in | mm | in | mm | in | |
| Z19 | 117.3 | 4.62 | 117.0 | 4.61 | 20.0 | 0.79 | 40.0 | 1.57 | 58.0 | 2.28 | 58.7 | 2.31 | 64.5 | 2.54 | ✓ |
| Z21 | 129.2 | 5.09 | 130.0 | 5.12 | 20.0 | 0.79 | 40.0 | 1.57 | 58.0 | 2.28 | 65.0 | 2.56 | 70.5 | 2.78 | ✓ |
| Z23 | 141.2 | 5.56 | 142.0 | 5.59 | 20.0 | 0.79 | 40.0 | 1.57 | 58.0 | 2.28 | 71.2 | 2.80 | 76.5 | 3.01 | ✓ |
| Z25 | 153.2 | 6.03 | 155.0 | 6.10 | 20.0 | 0.79 | 40.0 | 1.57 | 58.0 | 2.28 | 77.4 | 3.05 | 82.5 | 3.25 | ✓ |

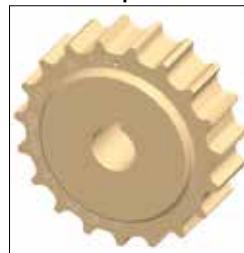
Molded sprocket



Cast iron sprocket



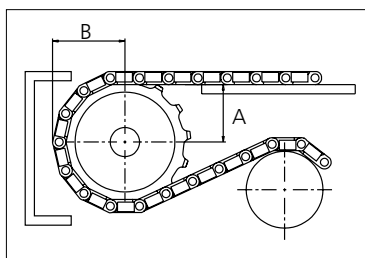
Machined sprocket



Two part sprocket



Non standard material and color:
See uni Material and Color Overview.



Please ensure that sufficient size shaft and keyway are chosen for corresponding load.

Other sprocket sizes are available upon request

Width of tooth: 31.8 mm/1.25 in

Width of sprocket: 42.3 mm/1.67 in

uni Retainer Rings: See uni Retainer Ring data sheet

uni Idler: See uni Idler data sheet

uni Guide Rings can be mounted on cast iron and machined sprockets. See uni Guide Rings data sheet.



Conveyor Belts



Seamless Belts



Modular Belts



Timing Belts



Transmission Belts



Fabrication & service

Expert advice, quality solutions and local service for all your belting needs
www.ammeraalbeltech.com

Ammeraal Beltech Modular A/S
Hjulmagervej 21
DK-7100 Vejle

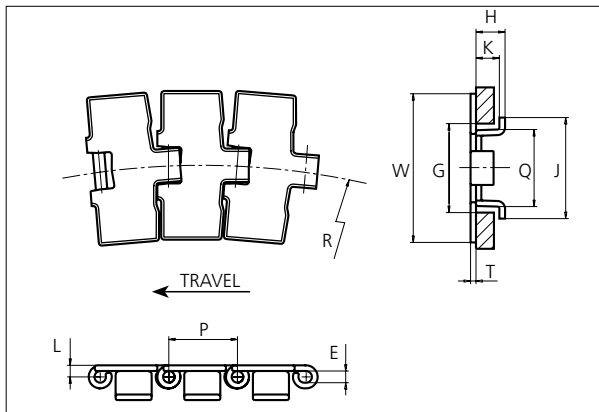
T +45 7572 3100
F +45 7572 3348
admin@unichains.com
www.unichains.com

This information is subject to alteration due to continuous development. Ammeraal Beltech will not be held liable for the incorrect use of the above stated information. This information replaces previous information. All activities performed and services rendered by Ammeraal Beltech are subject to general terms and conditions of sale and delivery, as applied by its operating companies.



Slat Top Stainless Steel Chain

Series **uni 881** Type **Tab**



Slat Top Stainless Steel Chain

Side flexing chain
Pitch: 38.1 mm (1.50 in)
Backflex radius:
76.2 mm (3.00 in)

Standard shipping lengths:
coils of 80 links
= 3.048 m (10.0 ft)

| E | | G | | H | | J | | K | | L | | P | | Q | | T | |
|-----|------|------|------|------|------|------|------|------|------|-----|------|------|------|------|------|-----|------|
| mm | in | mm | in | mm | in | mm | in | mm | in | mm | in | mm | in | mm | in | mm | in |
| 6.4 | 0.25 | 44.5 | 1.75 | 16.3 | 0.64 | 56.2 | 2.21 | 12.7 | 0.50 | 6.5 | 0.26 | 38.1 | 1.50 | 43.0 | 1.69 | 3.0 | 0.12 |

| | Width (W) | | Min. radius (R) | | Weight | | Permissible tensile strength N/lbf | Chain material | Pin material* | Surface | |
|-------------|-----------|------|-----------------|-------|--------|-------|------------------------------------|------------------------------------------------------|------------------------------------------------------|-----------|----------|
| | mm | in | mm | in | kg/m | lb/ft | | | | Roughness | Hardness |
| K325 | 82.6 | 3.25 | 190 | 7.68 | 2.90 | 1.95 | 2250 / 506 | AISI 430 (Work hardened ferritic Stainless Steel) | AISI 431 (Work hardened magnetic Stainless Steel) | < 0.5 µm | 20 HRC |
| | | | 457 | 18.00 | | | | | | | |
| K450 | 114.3 | 4.50 | 500 | 19.69 | 3.60 | 2.42 | | | | | |
| K750 | 190.5 | 7.50 | 500 | 19.69 | 5.30 | 3.56 | | | | | |

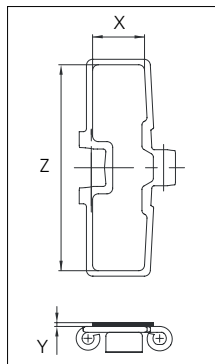
* Chains with special hardened pin (HP) for additional wear resistance and higher corrosion strength are made to order.

Accessories

Rubber Top



Non stock item. Contact Customer Service for delivery time.



| Width | Rubber material | Z | | X | | Y | |
|-------------|-----------------|-------|------|------|------|-----|------|
| | | mm | in | mm | in | mm | in |
| K325 | 06 K | 77.0 | 3.03 | 28.0 | 1.10 | 2.0 | 0.08 |
| K450 | 06 K | 108.0 | 4.25 | 27.0 | 1.06 | 2.0 | 0.08 |
| K750 | 06 K | 184.0 | 7.24 | 26.0 | 1.02 | 2.0 | 0.08 |



STANDARD

SIDE FLEXING

PITCH 38.1 MM/1.50 IN

Sprocket

| No of teeth | Pitch diameter | | Overall-diameter | | Min. ø bore | | Max. ø bore | | Hub-diameter | | Dimension A | | Dimension B | | Molded PA6 LG | Molded Cast Iron | Machined PA6 N |
|-------------|----------------|------|------------------|------|-------------|------|-------------|------|--------------|------|-------------|------|-------------|------|---------------|------------------|----------------|
| | mm | in | mm | in | mm | in | mm | in | mm | in | mm | in | mm | in | | | |
| Z19 | 117.3 | 4.62 | 117.0 | 4.61 | 20.0 | 0.79 | 40.0 | 1.57 | 58.0 | 2.28 | 58.7 | 2.31 | 64.5 | 2.54 | ✓ | ✓ | |
| Z21 | 129.2 | 5.09 | 130.0 | 5.12 | 20.0 | 0.79 | 40.0 | 1.57 | 58.0 | 2.28 | 65.0 | 2.56 | 70.5 | 2.78 | ✓ | ✓ | |
| Z23 | 141.2 | 5.56 | 142.0 | 5.59 | 20.0 | 0.79 | 40.0 | 1.57 | 58.0 | 2.28 | 71.2 | 2.80 | 76.5 | 3.01 | ✓ | ✓ | |
| Z25 | 153.2 | 6.03 | 155.0 | 6.10 | 20.0 | 0.79 | 40.0 | 1.57 | 58.0 | 2.28 | 77.4 | 3.05 | 82.5 | 3.25 | ✓ | ✓ | |
| Z27 | 165.2 | 6.50 | 167.0 | 6.57 | 20.0 | 0.79 | 70.0 | 2.76 | n/a | n/a | 83.6 | 3.29 | 88.5 | 3.48 | | ✓ | ✓ |
| Z29 | 177.2 | 6.98 | 179.0 | 7.05 | 20.0 | 0.79 | 70.0 | 2.76 | n/a | n/a | 89.8 | 3.54 | 94.6 | 3.72 | | ✓ | ✓ |
| Z31 | 189.3 | 7.45 | 192.0 | 7.56 | 20.0 | 0.79 | 70.0 | 2.76 | n/a | n/a | 95.9 | 3.78 | 100.6 | 3.96 | | ✓ | ✓ |

Two part sprocket

| No of teeth | Pitch diameter | | Overall-diameter | | Min. ø bore | | Max. ø bore | | Hub-diameter | | Dimension A | | Dimension B | | Molded PA6 LG |
|-------------|----------------|------|------------------|------|-------------|------|-------------|------|--------------|------|-------------|------|-------------|------|---------------|
| | mm | in | mm | in | mm | in | mm | in | mm | in | mm | in | mm | in | |
| Z19 | 117.3 | 4.62 | 117.0 | 4.61 | 20.0 | 0.79 | 40.0 | 1.57 | 58.0 | 2.28 | 58.7 | 2.31 | 64.5 | 2.54 | ✓ |
| Z21 | 129.2 | 5.09 | 130.0 | 5.12 | 20.0 | 0.79 | 40.0 | 1.57 | 58.0 | 2.28 | 65.0 | 2.56 | 70.5 | 2.78 | ✓ |
| Z23 | 141.2 | 5.56 | 142.0 | 5.59 | 20.0 | 0.79 | 40.0 | 1.57 | 58.0 | 2.28 | 71.2 | 2.80 | 76.5 | 3.01 | ✓ |
| Z25 | 153.2 | 6.03 | 155.0 | 6.10 | 20.0 | 0.79 | 40.0 | 1.57 | 58.0 | 2.28 | 77.4 | 3.05 | 82.5 | 3.25 | ✓ |

Molded sprocket



Cast iron sprocket



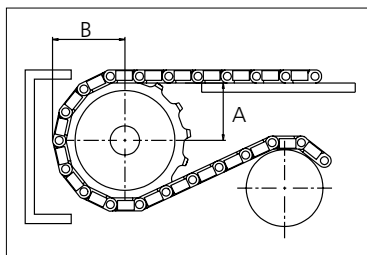
Machined sprocket



Two part sprocket



Non standard material and color:
See uni Material and Color Overview.



Please ensure that sufficient size shaft and keyway are chosen for corresponding load.

Other sprocket sizes are available upon request

Width of tooth: 31.8 mm/1.25 in

Width of sprocket: 42.3 mm/1.67 in

uni Retainer Rings: See uni Retainer Ring data sheet

uni Idler: See uni Idler data sheet

uni Guide Rings can be mounted on cast iron and machined sprockets. See uni Guide Rings data sheet



Expert advice, quality solutions and local service for all your belting needs
www.ammeraalbeltech.com

Ammeraal Beltech Modular A/S
Hjulmagervej 21
DK-7100 Vejle

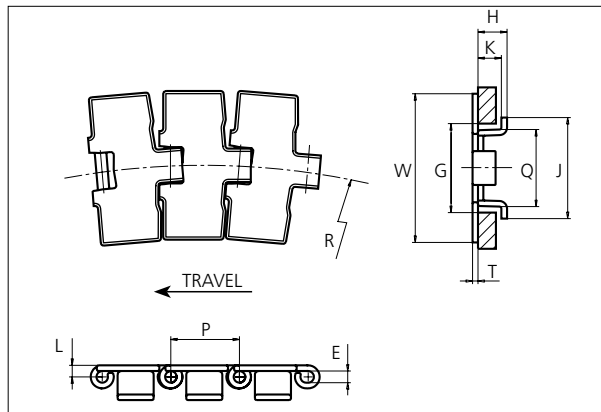
T +45 7572 3100
F +45 7572 3348
admin@unichains.com
www.unichains.com

This information is subject to alteration due to continuous development. Ammeraal Beltech will not be held liable for the incorrect use of the above stated information. This information replaces previous information. All activities performed and services rendered by Ammeraal Beltech are subject to general terms and conditions of sale and delivery, as applied by its operating companies.



Slat Top Stainless Steel Chain

Series **uni 881** Type **Tab**



Slat Top Stainless Steel Chain

Side flexing chain
Pitch: 38.1 mm (1.50 in)
Backflex radius:
76.2 mm (3.00 in)

Standard shipping lengths:
coils of 80 links
= 3.048 m (10.0 ft)

STANDARD

| E | | G | | H | | J | | K | | L | | P | | Q | | T | |
|-----|------|------|------|------|------|------|------|------|------|-----|------|------|------|------|------|-----|------|
| mm | in | mm | in | mm | in | mm | in | mm | in | mm | in | mm | in | mm | in | mm | in |
| 6.4 | 0.25 | 44.5 | 1.75 | 16.3 | 0.64 | 56.2 | 2.21 | 12.7 | 0.50 | 6.5 | 0.26 | 38.1 | 1.50 | 43.0 | 1.69 | 3.0 | 0.12 |

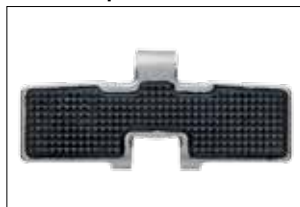
| | Width (W) | | Min. radius (R) | | Weight | | Permissible tensile strength N/lbf | Chain material | Pin material* | Surface | |
|-------------|-----------|------|-----------------|-------|--------|-------|------------------------------------|-----------------------------------------------------------------------------------|-----------------------------------------------------------------------------------|-----------|----------|
| | mm | in | mm | in | kg/m | lb/ft | | | | Roughness | Hardness |
| K325 | 82.6 | 3.25 | 457 | 17.99 | 2.90 | 1.95 | 2250 / 506 | AISI 304 (Work hardened Crome-nickel 18/8 austenitic Stainless Steel) | AISI 304 (Work hardened Crome-nickel 18/8 austenitic Stainless Steel) | < 0.5 µm | 26 HRC |
| K450 | 114.3 | 4.50 | 500 | 19.69 | 3.60 | 2.42 | | | | | |
| K750 | 190.5 | 7.50 | 500 | 19.69 | 5.30 | 3.56 | | | | | |

SIDE FLEXING

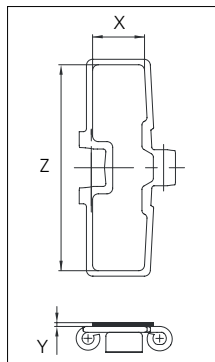
* Chains with special hardened pin (HP) for additional wear resistance and higher corrosion strength are made to order.

Accessories

Rubber Top



Non stock item. Contact Customer Service for delivery time.



| Width | Rubber material | Z | | X | | Y | |
|-------------|-----------------|-------|------|------|------|-----|------|
| | | mm | in | mm | in | mm | in |
| K325 | 06 K | 77.0 | 3.03 | 28.0 | 1.10 | 2.0 | 0.08 |
| K450 | 06 K | 108.0 | 4.25 | 27.0 | 1.06 | 2.0 | 0.08 |
| K750 | 06 K | 184.0 | 7.24 | 26.0 | 1.02 | 2.0 | 0.08 |

PITCH 38.1 MM/1.50 IN



Sprocket

| No of teeth | Pitch diameter | | Overall-diameter | | Min. ø bore | | Max. ø bore | | Hub-diameter | | Dimension A | | Dimension B | | Molded PA6 LG | Molded Cast Iron | Machined PA6 |
|-------------|----------------|------|------------------|------|-------------|------|-------------|------|--------------|------|-------------|------|-------------|------|---------------|------------------|--------------|
| | mm | in | mm | in | mm | in | mm | in | mm | in | mm | in | mm | in | | | |
| Z19 | 117.3 | 4.62 | 117.0 | 4.61 | 20.0 | 0.79 | 40.0 | 1.57 | 58.0 | 2.28 | 58.7 | 2.31 | 64.5 | 2.54 | ✓ | ✓ | |
| Z21 | 129.2 | 5.09 | 130.0 | 5.12 | 20.0 | 0.79 | 40.0 | 1.57 | 58.0 | 2.28 | 65.0 | 2.56 | 70.5 | 2.78 | ✓ | ✓ | |
| Z23 | 141.2 | 5.56 | 142.0 | 5.59 | 20.0 | 0.79 | 40.0 | 1.57 | 58.0 | 2.28 | 71.2 | 2.80 | 76.5 | 3.01 | ✓ | ✓ | |
| Z25 | 153.2 | 6.03 | 155.0 | 6.10 | 20.0 | 0.79 | 40.0 | 1.57 | 58.0 | 2.28 | 77.4 | 3.05 | 82.5 | 3.25 | ✓ | ✓ | |
| Z27 | 165.2 | 6.50 | 167.0 | 6.57 | 20.0 | 0.79 | 70.0 | 2.76 | n/a | n/a | 83.6 | 3.29 | 88.5 | 3.48 | | ✓ | ✓ |
| Z29 | 177.2 | 6.98 | 179.0 | 7.05 | 20.0 | 0.79 | 70.0 | 2.76 | n/a | n/a | 89.8 | 3.54 | 94.6 | 3.72 | | ✓ | ✓ |
| Z31 | 189.3 | 7.45 | 192.0 | 7.56 | 20.0 | 0.79 | 70.0 | 2.76 | n/a | n/a | 95.9 | 3.78 | 100.6 | 3.96 | | ✓ | ✓ |

Two part sprocket

| No of teeth | Pitch diameter | | Overall-diameter | | Min. ø bore | | Max. ø bore | | Hub-diameter | | Dimension A | | Dimension B | | Molded PA6 LG |
|-------------|----------------|------|------------------|------|-------------|------|-------------|------|--------------|------|-------------|------|-------------|------|---------------|
| | mm | in | mm | in | mm | in | mm | in | mm | in | mm | in | mm | in | |
| Z19 | 117.3 | 4.62 | 117.0 | 4.61 | 20.0 | 0.79 | 40.0 | 1.57 | 58.0 | 2.28 | 58.7 | 2.31 | 64.5 | 2.54 | ✓ |
| Z21 | 129.2 | 5.09 | 130.0 | 5.12 | 20.0 | 0.79 | 40.0 | 1.57 | 58.0 | 2.28 | 65.0 | 2.56 | 70.5 | 2.78 | ✓ |
| Z23 | 141.2 | 5.56 | 142.0 | 5.59 | 20.0 | 0.79 | 40.0 | 1.57 | 58.0 | 2.28 | 71.2 | 2.80 | 76.5 | 3.01 | ✓ |
| Z25 | 153.2 | 6.03 | 155.0 | 6.10 | 20.0 | 0.79 | 40.0 | 1.57 | 58.0 | 2.28 | 77.4 | 3.05 | 82.5 | 3.25 | ✓ |

Molded sprocket



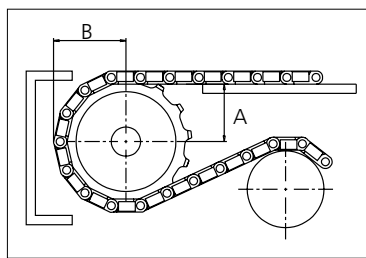
Cast iron sprocket



Machined sprocket



Two part sprocket



Please ensure that sufficient size shaft and keyway are chosen for corresponding load.

Non standard material and color:
See uni Material and Color Overview.

Other sprocket sizes are available upon request

Width of tooth: 31.8 mm/1.25 in

Width of sprocket: 42.3 mm/1.67 in

uni Retainer Rings: See uni Retainer Ring data sheet

uni Idler: See uni Idler data sheet

uni Guide Rings can be mounted on cast iron and machined sprockets. See uni Guide Rings data sheet



Conveyor Belts



Seamless Belts



Modular Belts



Timing Belts



Transmission Belts



Fabrication & service

Expert advice, quality solutions and local service for all your belting needs
www.ammeraalbeltech.com

Ammeraal Beltech Modular A/S
Hjulmagervej 21
DK-7100 Vejle

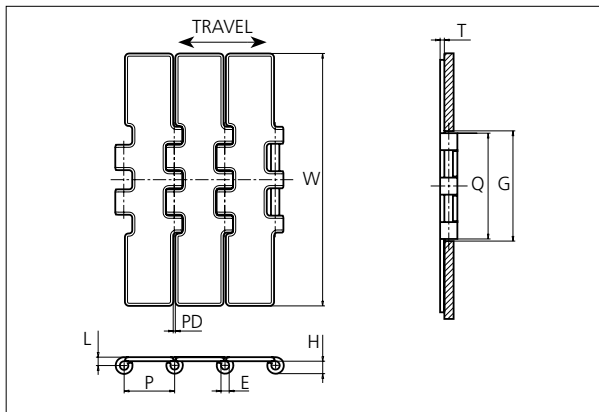
T +45 7572 3100
F +45 7572 3348
admin@unichains.com
www.unichains.com

This information is subject to alteration due to continuous development. Ammeraal Beltech will not be held liable for the incorrect use of the above stated information. This information replaces previous information. All activities performed and services rendered by Ammeraal Beltech are subject to general terms and conditions of sale and delivery, as applied by its operating companies.



Slat Top Stainless Steel Chain

Series **uni 805** Type **Double Hinge**



Slat Top Stainless Steel Chain

Straight running chain
Pitch: 38.1 mm (1.50 in)
Backflex radius: 150.0 mm (5.91 in)

Standard shipping lengths:
coils of 80 in
= 3.048 m (10 ft)

| E | | G | | H | | L | | P | | Q | | T | | PD | |
|-----|------|------|------|-----|------|-----|------|------|------|------|------|-----|------|-----|------|
| mm | in | mm | in | mm | in | mm | in | mm | in | mm | in | mm | in | mm | in |
| 6.4 | 0.25 | 82.5 | 3.25 | 9.9 | 0.39 | 6.5 | 0.26 | 38.1 | 1.50 | 80.5 | 3.17 | 3.0 | 0.12 | 1.6 | 0.06 |

| | Width (W) | | Weight | | Permissible tensile strength N/lbf | Chain material | Pin material* | Surface | |
|-------------|-----------|------|--------|-------|------------------------------------|-----------------------------------------------------------------------------------|-----------------------------------------------------------------------------------|-----------|----------|
| | mm | in | kg/m | lb/ft | | | | Roughness | Hardness |
| K750 | 190.5 | 7.50 | 5.80 | 3.90 | 3500 / 787 | AISI 304 (Work hardened Crome-nickel 18/8 austenitic Stainless Steel) | AISI 304 (Work hardened Crome-nickel 18/8 austenitic Stainless Steel) | < 0.5 µm | 26 HRC |

* Chains with special hardened pin (HP) for additional wear resistance and higher corrosion strength are made to order.


NON STANDARD

STRAIGHT RUNNING

PITCH 38.1 MM/1.50 IN



Sprocket

| No. of teeth | Pitch diameter | | Overall diameter | | Min. ø bore | | Max. ø bore | | Hub diameter | | Dimension A | | Dimension B | | Molded Cast Iron | Machined PA6  |
|--------------|----------------|------|------------------|------|-------------|------|-------------|------|--------------|----|-------------|------|-------------|------|------------------|--------------------------------------------------------------------------------------------------|
| | mm | in | mm | in | mm | in | mm | in | mm | in | mm | in | mm | in | | |
| Z19 | 117.3 | 4.62 | 117.0 | 4.61 | 20.0 | 0.79 | 70.0 | 2.76 | 0 | 0 | 58.7 | 2.31 | 64.5 | 2.54 | ✓ | ✓ |
| Z21 | 129.2 | 5.09 | 130.0 | 5.12 | 20.0 | 0.79 | 70.0 | 2.76 | 0 | 0 | 65.0 | 2.56 | 70.5 | 2.78 | ✓ | ✓ |
| Z23 | 141.2 | 5.56 | 142.0 | 5.59 | 20.0 | 0.79 | 70.0 | 2.76 | 0 | 0 | 71.2 | 2.80 | 76.5 | 3.01 | ✓ | ✓ |
| Z25 | 153.2 | 6.03 | 155.0 | 6.10 | 20.0 | 0.79 | 70.0 | 2.76 | 0 | 0 | 77.4 | 3.05 | 82.5 | 3.25 | ✓ | ✓ |
| Z27 | 165.2 | 6.50 | 167.0 | 6.57 | 20.0 | 0.79 | 100.0 | 3.93 | 0 | 0 | 83.6 | 3.29 | 88.5 | 3.48 | ✓ | ✓ |
| Z29 | 177.2 | 6.98 | 179.0 | 7.05 | 20.0 | 0.79 | 110.0 | 4.33 | 0 | 0 | 89.8 | 3.54 | 94.6 | 3.72 | ✓ | ✓ |
| Z31 | 189.3 | 7.45 | 192.0 | 7.56 | 20.0 | 0.79 | 120.0 | 4.72 | 0 | 0 | 95.9 | 3.78 | 100.6 | 3.96 | ✓ | ✓ |

Two part sprocket

| No. of teeth | Pitch diameter | | Overall diameter | | Min. ø bore | | Max. ø bore | | Hub diameter | | Dimension A | | Dimension B | | Molded PA6 LG |
|--------------|----------------|------|------------------|------|-------------|------|-------------|------|--------------|------|-------------|------|-------------|------|---------------|
| | mm | in | mm | in | mm | in | mm | in | mm | in | mm | in | mm | in | |
| Z25 | 153.2 | 6.03 | 155.0 | 6.10 | 30.0 | 1.18 | 40.0 | 1.57 | 58.0 | 2.28 | 77.4 | 3.05 | 82.5 | 3.25 | ✓ |

Non standard material and color:
See uni Material and Color Overview.

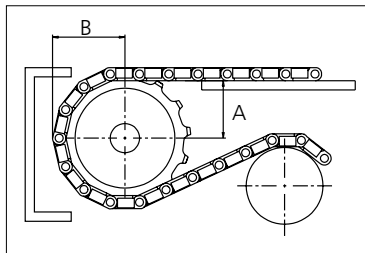
Cast iron sprocket



Machined sprocket



Molded two part sprocket



Please ensure that sufficient size shaft and keyway are chosen for corresponding load.

Other sprocket sizes are available upon request

Width of tooth: 79.4 mm/3.13 in

Width of sprocket: 79.4 mm/3.13 in

uni Retainer Rings: See uni Retainer Ring data sheet

uni Idler: See uni Idler data sheet

uni Guide Rings can be mounted on cast iron and machined sprockets. See uni Guide Rings data sheet



Conveyor Belts



Seamless Belts



Modular Belts



Timing Belts



Transmission Belts



Fabrication & service

Expert advice, quality solutions and local service for all your belting needs
www.ammeraalbeltech.com

Ammeraal Beltech Modular A/S
Hjulmagervej 21
DK-7100 Vejle

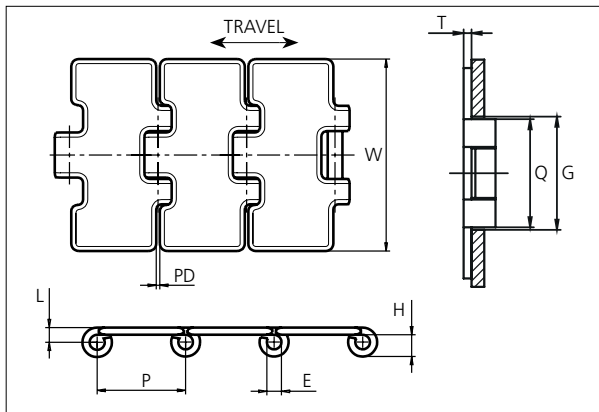
T +45 7572 3100
F +45 7572 3348
admin@unichains.com
www.unichains.com

This information is subject to alteration due to continuous development. Ammeraal Beltech will not be held liable for the incorrect use of the above stated information. This information replaces previous information. All activities performed and services rendered by Ammeraal Beltech are subject to general terms and conditions of sale and delivery, as applied by its operating companies.



Slat Top Steel Chain

Series **uni 810** Type **Single Hinge**



Slat Top Steel Chain
 Straight running chain
 Pitch: 38.1 mm (1.50 in)
 Backflex radius:
 150.0 mm (5.91 in)
 Standard shipping lengths:
 coils of 80 in,
 3.048 m (10.0 ft)

| E | | G | | H | | L | | P | | Q | | T | | PD | |
|-----|------|------|------|-----|------|-----|------|------|------|------|------|-----|------|-----|------|
| mm | in | mm | in | mm | in | mm | in | mm | in | mm | in | mm | in | mm | in |
| 6.4 | 0.25 | 44.5 | 1.75 | 9.9 | 0.39 | 6.5 | 0.26 | 38.1 | 1.50 | 42.5 | 1.67 | 3.0 | 0.12 | 1.6 | 0.06 |

| | Width (W) | | Weight | | Permissible tensile strength N/lbf | Chain material | Pin material* | Surface | |
|-------------|-----------|------|--------|-------|------------------------------------|--------------------------------------|---------------------------------------|-----------|----------|
| | mm | in | kg/m | lb/ft | | | | Roughness | Hardness |
| K263 | 66.7 | 2.63 | 2.33 | 1.57 | 4000 / 899 | S1045 (Heat-treated Carbon Steel) | S1045 (Case-hardened Carbon Steel) | > 0.5 µm | 43 HRC |
| K300 | 76.2 | 3.00 | 2.50 | 1.68 | | | | | |
| K350 | 88.9 | 3.50 | 2.75 | 1.85 | | | | | |

* Chains with special hardened pin (HP) for additional wear resistance and higher corrosion strength are made to order.

NON STANDARD

STRAIGHT RUNNING

PITCH 38.1 MM/1.50 IN



Sprocket

| No. of teeth | Pitch diameter | | Overall diameter | | Min. ø bore | | Max. ø bore | | Hub diameter | | Dimension A | | Dimension B | | Molded PA6 LG | Molded Cast Iron | Machined PA6 |
|--------------|----------------|------|------------------|------|-------------|-----|-------------|-----|--------------|------|-------------|------|-------------|------|---------------|------------------|--------------|
| | mm | in | mm | in | mm | in | mm | in | mm | in | mm | in | mm | in | | | |
| Z13 | 82.0 | 3.22 | 79.0 | 3.11 | 20 | 0.8 | 40 | 1.6 | n/a | n/a | 29.8 | 1.17 | 48.1 | 1.89 | | ✓ | |
| Z19 | 117.3 | 4.62 | 117.0 | 4.61 | 20 | 0.8 | 40 | 1.6 | 58 | 2.28 | 58.7 | 2.31 | 64.5 | 2.54 | ✓ | ✓ | |
| Z21 | 129.2 | 5.09 | 130.0 | 5.12 | 20 | 0.8 | 40 | 1.6 | 58 | 2.28 | 65 | 2.56 | 70.5 | 2.78 | ✓ | ✓ | |
| Z23 | 141.2 | 5.56 | 142.0 | 5.59 | 20 | 0.8 | 40 | 1.6 | 58 | 2.28 | 71.2 | 2.80 | 76.5 | 3.01 | ✓ | ✓ | |
| Z25 | 153.2 | 6.03 | 155.0 | 6.10 | 20 | 0.8 | 40 | 1.6 | 58 | 2.28 | 77.4 | 3.05 | 82.5 | 3.25 | ✓ | ✓ | |
| Z27 | 165.2 | 6.50 | 167.0 | 6.57 | 20 | 0.8 | 70 | 2.8 | n/a | n/a | 83.6 | 3.29 | 88.5 | 3.48 | | ✓ | ✓ |
| Z29 | 177.2 | 6.98 | 179.0 | 7.05 | 20 | 0.8 | 70 | 2.8 | n/a | n/a | 89.8 | 3.54 | 94.6 | 3.72 | | ✓ | ✓ |
| Z31 | 189.3 | 7.45 | 192.0 | 7.56 | 20 | 0.8 | 70 | 2.8 | n/a | n/a | 95.9 | 3.78 | 100.6 | 3.96 | | ✓ | ✓ |

Two part sprocket

| No. of teeth | Pitch diameter | | Overall diameter | | Min. ø bore | | Max. ø bore | | Hub diameter | | Dimension A | | Dimension B | | Molded PA6 LG |
|--------------|----------------|------|------------------|------|-------------|------|-------------|------|--------------|------|-------------|------|-------------|------|---------------|
| | mm | in | mm | in | mm | in | mm | in | mm | in | mm | in | mm | in | |
| Z19 | 117.3 | 4.62 | 117.0 | 4.61 | 20.0 | 0.79 | 40.0 | 1.57 | 58.0 | 2.28 | 58.7 | 2.31 | 64.5 | 2.54 | ✓ |
| Z21 | 129.2 | 5.09 | 130.0 | 5.12 | 20.0 | 0.79 | 40.0 | 1.57 | 58.0 | 2.28 | 65.0 | 2.56 | 70.5 | 2.78 | ✓ |
| Z23 | 141.2 | 5.56 | 142.0 | 5.59 | 20.0 | 0.79 | 40.0 | 1.57 | 58.0 | 2.28 | 71.2 | 2.80 | 76.5 | 3.01 | ✓ |
| Z25 | 153.2 | 6.03 | 155.0 | 6.10 | 20.0 | 0.79 | 40.0 | 1.57 | 58.0 | 2.28 | 77.4 | 3.05 | 82.5 | 3.25 | ✓ |

Molded sprocket



Cast iron sprocket



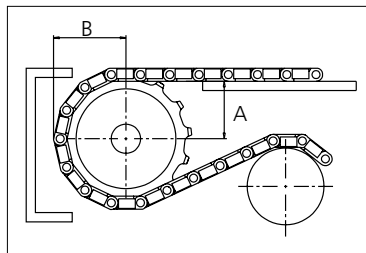
Machined sprocket



Two part sprocket



Non standard material and color:
See uni Material and Color Overview.



Please ensure that sufficient size shaft and keyway are chosen for corresponding load.

Other sprocket sizes are available upon request

Width of tooth: 42.3 mm/1.67 in

Width of sprocket: 42.3 mm/1.67 in

uni Retainer Rings: See uni Retainer Ring data sheet

uni Idler: See uni Idler data sheet

uni Guide Rings can be mounted on cast iron and machined sprockets. See uni Guide Rings data sheet



Conveyor Belts



Seamless Belts



Modular Belts



Timing Belts



Transmission Belts



Fabrication & service

Expert advice, quality solutions and local service for all your belting needs
www.ammeraalbeltech.com

Ammeraal Beltech Modular A/S
Hjulmagervej 21
DK-7100 Vejle

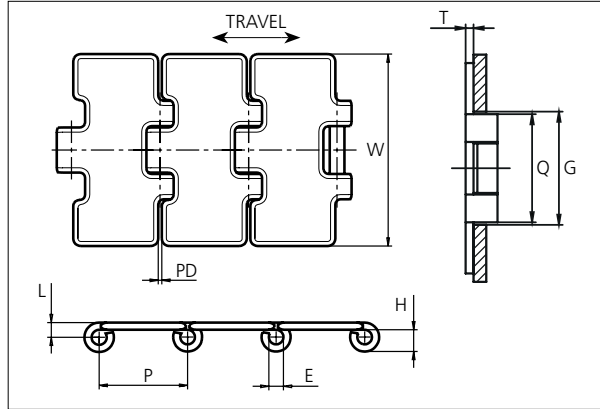
T +45 7572 3100
F +45 7572 3348
admin@unichains.com
www.unichains.com

This information is subject to alteration due to continuous development. Ammeraal Beltech will not be held liable for the incorrect use of the above stated information. This information replaces previous information. All activities performed and services rendered by Ammeraal Beltech are subject to general terms and conditions of sale and delivery, as applied by its operating companies.



Slat Top Stainless Steel Chain

Series **uni 812** Type **Single Hinge**



Slat Top Stainless Steel Chain
 Straight running chain
 Pitch: 38.1 mm (1.50 in)
 Backflex radius:
 150.0 mm (5.91 in)
 Standard shipping lengths:
 coils of 80 in,
 3.048 m (10.0 ft)

NON STANDARD

| E | | G | | H | | L | | P | | Q | | T | | PD | |
|-----|------|------|------|-----|------|-----|------|------|------|------|------|-----|------|-----|------|
| mm | in | mm | in | mm | in | mm | in | mm | in | mm | in | mm | in | mm | in |
| 6.4 | 0.25 | 44.5 | 1.75 | 9.9 | 0.39 | 6.5 | 0.26 | 38.1 | 1.50 | 42.5 | 1.67 | 3.0 | 0.12 | 1.6 | 0.06 |

STRAIGHT RUNNING

| | Width (W) | | Weight | | Permissible tensile strength N/lbf | Chain material | Pin material* | Surface | |
|-------------|-----------|------|--------|-------|------------------------------------|--------------------------------------------------|---------------------------------------------------|-----------|----------|
| | mm | in | kg/m | lb/ft | | | | Roughness | Hardness |
| K263 | 66.7 | 2.63 | 2.33 | 1.57 | 2250 / 506 | ASI 430 (Work hardened ferritic stainless steel) | AISI 431 (Work hardened magnetic stainless steel) | < 0.5 µm | 20 HRC |
| K275 | 69.9 | 2.75 | 2.35 | 1.58 | | | | | |
| K300 | 76.2 | 3.00 | 2.50 | 1.68 | | | | | |
| K330 | 83.8 | 3.30 | 2.70 | 1.81 | | | | | |
| K350 | 88.9 | 3.50 | 2.75 | 1.85 | | | | | |

PITCH 38.1 MM/1.50 IN

* Chains with special hardened pin (HP) for additional wear resistance and higher corrosion strength are made to order.



Sprocket

| No. of teeth | Pitch diameter | | Overall diameter | | Min. ø bore | | Max. ø bore | | Hub diameter | | Dimension A | | Dimension B | | Molded PA6 LG | Molded Cast Iron | Machined PA6 N |
|--------------|----------------|------|------------------|------|-------------|-----|-------------|-----|--------------|------|-------------|------|-------------|------|---------------|------------------|----------------|
| | mm | in | mm | in | mm | in | mm | in | mm | in | mm | in | mm | in | | | |
| Z13 | 82.0 | 3.22 | 79.0 | 3.11 | 20 | 0.8 | 40 | 1.6 | n/a | n/a | 29.8 | 1.17 | 48.1 | 1.89 | | ✓ | |
| Z19 | 117.3 | 4.62 | 117.0 | 4.61 | 20 | 0.8 | 40 | 1.6 | 58 | 2.28 | 58.7 | 2.31 | 64.5 | 2.54 | ✓ | ✓ | |
| Z21 | 129.2 | 5.09 | 130.0 | 5.12 | 20 | 0.8 | 40 | 1.6 | 58 | 2.28 | 65 | 2.56 | 70.5 | 2.78 | ✓ | ✓ | |
| Z23 | 141.2 | 5.56 | 142.0 | 5.59 | 20 | 0.8 | 40 | 1.6 | 58 | 2.28 | 71.2 | 2.80 | 76.5 | 3.01 | ✓ | ✓ | |
| Z25 | 153.2 | 6.03 | 155.0 | 6.10 | 20 | 0.8 | 40 | 1.6 | 58 | 2.28 | 77.4 | 3.05 | 82.5 | 3.25 | ✓ | ✓ | |
| Z27 | 165.2 | 6.50 | 167.0 | 6.57 | 20 | 0.8 | 70 | 2.8 | n/a | n/a | 83.6 | 3.29 | 88.5 | 3.48 | | ✓ | ✓ |
| Z29 | 177.2 | 6.98 | 179.0 | 7.05 | 20 | 0.8 | 70 | 2.8 | n/a | n/a | 89.8 | 3.54 | 94.6 | 3.72 | | ✓ | ✓ |
| Z31 | 189.3 | 7.45 | 192.0 | 7.56 | 20 | 0.8 | 70 | 2.8 | n/a | n/a | 95.9 | 3.78 | 100.6 | 3.96 | | ✓ | ✓ |

Two part sprocket

| No. of teeth | Pitch diameter | | Overall diameter | | Min. ø bore | | Max. ø bore | | Hub diameter | | Dimension A | | Dimension B | | Molded PA6 LG |
|--------------|----------------|------|------------------|------|-------------|------|-------------|------|--------------|------|-------------|------|-------------|------|---------------|
| | mm | in | mm | in | mm | in | mm | in | mm | in | mm | in | mm | in | |
| Z19 | 117.3 | 4.62 | 117.0 | 4.61 | 20.0 | 0.79 | 40.0 | 1.57 | 58.0 | 2.28 | 58.7 | 2.31 | 64.5 | 2.54 | ✓ |
| Z21 | 129.2 | 5.09 | 130.0 | 5.12 | 20.0 | 0.79 | 40.0 | 1.57 | 58.0 | 2.28 | 65.0 | 2.56 | 70.5 | 2.78 | ✓ |
| Z23 | 141.2 | 5.56 | 142.0 | 5.59 | 20.0 | 0.79 | 40.0 | 1.57 | 58.0 | 2.28 | 71.2 | 2.80 | 76.5 | 3.01 | ✓ |
| Z25 | 153.2 | 6.03 | 155.0 | 6.10 | 20.0 | 0.79 | 40.0 | 1.57 | 58.0 | 2.28 | 77.4 | 3.05 | 82.5 | 3.25 | ✓ |

Molded sprocket



Cast iron sprocket



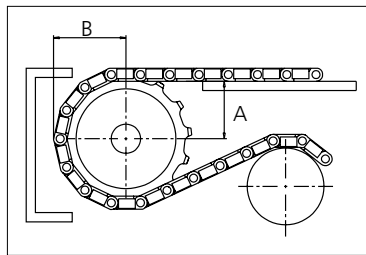
Machined sprocket



Two part sprocket



Non standard material and color:
See uni Material and Color Overview.



Please ensure that sufficient size shaft and keyway are chosen for corresponding load.

Other sprocket sizes are available upon request

Width of tooth: 42.3 mm/1.67 in

Width of sprocket: 42.3 mm/1.67 in

uni Retainer Rings: See uni Retainer Ring data sheet

uni Idler: See uni Idler data sheet

uni Guide Rings can be mounted on cast iron and machined sprockets. See uni Guide Rings data sheet



Conveyor Belts



Seamless Belts



Modular Belts



Timing Belts



Transmission Belts



Fabrication & service

Expert advice, quality solutions and local service for all your belting needs
www.ammeraalbeltech.com

Ammeraal Beltech Modular A/S
Hjulmagervej 21
DK-7100 Vejle

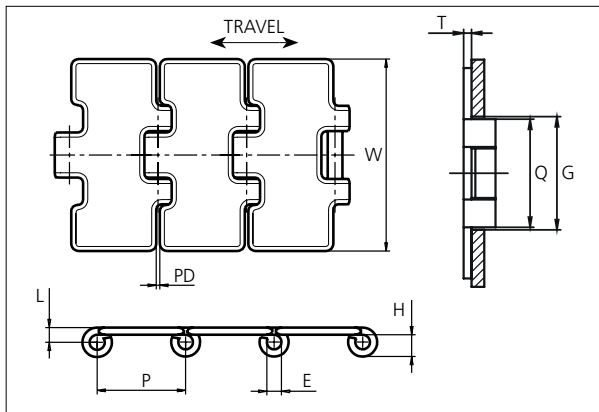
T +45 7572 3100
F +45 7572 3348
admin@unichains.com
www.unichains.com

This information is subject to alteration due to continuous development. Ammeraal Beltech will not be held liable for the incorrect use of the above stated information. This information replaces previous information. All activities performed and services rendered by Ammeraal Beltech are subject to general terms and conditions of sale and delivery, as applied by its operating companies.



Slat Top Stainless Steel Chain

Series **uni 815** Type **Single Hinge**



Slat Top Stainless Steel Chain

Straight running chain
 Pitch: 38.1 mm (1.50 in)
 Backflex radius:
 150.0 mm (5.91 in)
 Standard shipping lengths:
 coils of 80 in
 = 3.048 m (10.0 ft)

| E | | G | | H | | L | | P | | Q | | T | | PD | |
|-----|------|------|------|-----|------|-----|------|------|------|------|------|-----|------|-----|------|
| mm | in | mm | in | mm | in | mm | in | mm | in | mm | in | mm | in | mm | in |
| 6.4 | 0.25 | 44.5 | 1.75 | 9.9 | 0.39 | 6.5 | 0.26 | 38.1 | 1.50 | 42.5 | 1.67 | 3.0 | 0.12 | 1.6 | 0.06 |

| | Width (W) | | Weight | | Permissible tensile strength N/lbf | Chain material | Pin material* | Surface | |
|-------------|-----------|------|--------|-------|------------------------------------|-----------------------------------------------------------------------------------|-----------------------------------------------------------------------------------|-----------|----------|
| | mm | in | kg/m | lb/ft | | | | Roughness | Hardness |
| K263 | 66.7 | 2.63 | 2.33 | 1.57 | 2250 / 506 | AISI 304 (Work hardened Crome-nickel 18/8 austenitic Stainless Steel) | AISI 304 (Work hardened Crome-nickel 18/8 austenitic Stainless Steel) | < 0.5 µm | 26 HRC |
| K275 | 69.9 | 2.75 | 2.35 | 1.58 | | | | | |
| K300 | 76.2 | 3.00 | 2.50 | 1.68 | | | | | |
| K350 | 88.9 | 3.50 | 2.75 | 1.85 | | | | | |

* Chains with special hardened pin (HP) for additional wear resistance and higher corrosion strength are made to order.

NON STANDARD

STRAIGHT RUNNING

PITCH 38.1 MM/1.50 IN



Sprocket

| No. of teeth | Pitch diameter | | Overall diameter | | Min. ø bore | | Max. ø bore | | Hub diameter | | Dimension A | | Dimension B | | Molded PA6 LG | Molded Cast Iron | Machined PA6 |
|--------------|----------------|------|------------------|------|-------------|-----|-------------|-----|--------------|------|-------------|------|-------------|------|---------------|------------------|--------------|
| | mm | in | mm | in | mm | in | mm | in | mm | in | mm | in | mm | in | | | |
| Z13 | 82.0 | 3.22 | 79.0 | 3.11 | 20 | 0.8 | 40 | 1.6 | n/a | n/a | 29.8 | 1.17 | 48.1 | 1.89 | | ✓ | |
| Z19 | 117.3 | 4.62 | 117.0 | 4.61 | 20 | 0.8 | 40 | 1.6 | 58 | 2.28 | 58.7 | 2.31 | 64.5 | 2.54 | ✓ | ✓ | |
| Z21 | 129.2 | 5.09 | 130.0 | 5.12 | 20 | 0.8 | 40 | 1.6 | 58 | 2.28 | 65 | 2.56 | 70.5 | 2.78 | ✓ | ✓ | |
| Z23 | 141.2 | 5.56 | 142.0 | 5.59 | 20 | 0.8 | 40 | 1.6 | 58 | 2.28 | 71.2 | 2.80 | 76.5 | 3.01 | ✓ | ✓ | |
| Z25 | 153.2 | 6.03 | 155.0 | 6.10 | 20 | 0.8 | 40 | 1.6 | 58 | 2.28 | 77.4 | 3.05 | 82.5 | 3.25 | ✓ | ✓ | |
| Z27 | 165.2 | 6.50 | 167.0 | 6.57 | 20 | 0.8 | 70 | 2.8 | n/a | n/a | 83.6 | 3.29 | 88.5 | 3.48 | | ✓ | ✓ |
| Z29 | 177.2 | 6.98 | 179.0 | 7.05 | 20 | 0.8 | 70 | 2.8 | n/a | n/a | 89.8 | 3.54 | 94.6 | 3.72 | | ✓ | ✓ |
| Z31 | 189.3 | 7.45 | 192.0 | 7.56 | 20 | 0.8 | 70 | 2.8 | n/a | n/a | 95.9 | 3.78 | 100.6 | 3.96 | | ✓ | ✓ |

Two part sprocket

| No. of teeth | Pitch diameter | | Overall diameter | | Min. ø bore | | Max. ø bore | | Hub diameter | | Dimension A | | Dimension B | | Molded PA6 LG |
|--------------|----------------|------|------------------|------|-------------|------|-------------|------|--------------|------|-------------|------|-------------|------|---------------|
| | mm | in | mm | in | mm | in | mm | in | mm | in | mm | in | mm | in | |
| Z19 | 117.3 | 4.62 | 117.0 | 4.61 | 20.0 | 0.79 | 40.0 | 1.57 | 58.0 | 2.28 | 58.7 | 2.31 | 64.5 | 2.54 | ✓ |
| Z21 | 129.2 | 5.09 | 130.0 | 5.12 | 20.0 | 0.79 | 40.0 | 1.57 | 58.0 | 2.28 | 65.0 | 2.56 | 70.5 | 2.78 | ✓ |
| Z23 | 141.2 | 5.56 | 142.0 | 5.59 | 20.0 | 0.79 | 40.0 | 1.57 | 58.0 | 2.28 | 71.2 | 2.80 | 76.5 | 3.01 | ✓ |
| Z25 | 153.2 | 6.03 | 155.0 | 6.10 | 20.0 | 0.79 | 40.0 | 1.57 | 58.0 | 2.28 | 77.4 | 3.05 | 82.5 | 3.25 | ✓ |

Molded sprocket



Cast iron sprocket



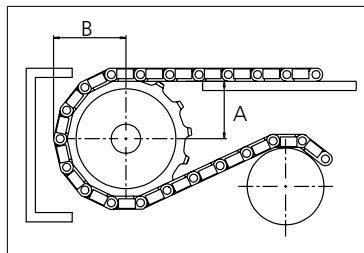
Machined sprocket



Two part sprocket



Non standard material and color:
See uni Material and Color Overview.



Please ensure that sufficient size shaft and keyway are chosen for corresponding load.

Other sprocket sizes are available upon request

Width of tooth: 42.3 mm/1.67 in

Width of sprocket: 42.3 mm/1.67 in

uni Retainer Rings: See uni Retainer Ring data sheet

uni Idler: See uni Idler data sheet

uni Guide Rings can be mounted on cast iron and machined sprockets. See uni Guide Rings data sheet



Conveyor Belts



Seamless Belts



Modular Belts



Timing Belts



Transmission Belts



Fabrication & service

Expert advice, quality solutions and local service for all your belting needs
www.ammeraalbeltech.com

Ammeraal Beltech Modular A/S
Hjulmagervej 21
DK-7100 Vejle

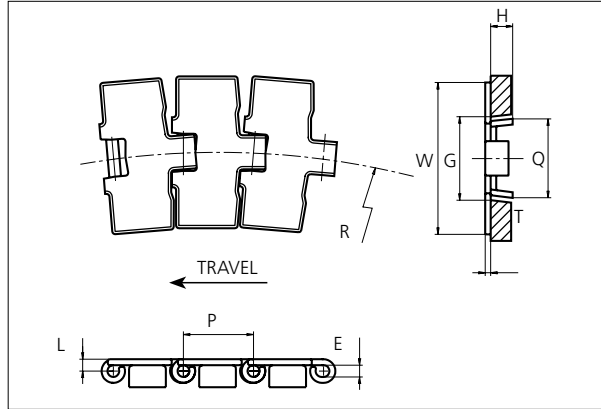
T +45 7572 3100
F +45 7572 3348
admin@unichains.com
www.unichains.com

This information is subject to alteration due to continuous development. Ammeraal Beltech will not be held liable for the incorrect use of the above stated information. This information replaces previous information. All activities performed and services rendered by Ammeraal Beltech are subject to general terms and conditions of sale and delivery, as applied by its operating companies.



Slat Top Stainless Steel Chain

Series **uni 881** Type **Bevel**



Slat Top Stainless Steel Chain
 Side flexing chain
 Pitch: 38.1 mm (1.50 in)
 Backflex radius:
 76.2 mm (3.00 in)
 Standard shipping lengths:
 coils of 80 in
 = 3.048 m (10 ft)

NON STANDARD

| E | | G* | | G** | | H | | L | | P | | Q | | T | |
|-----|------|------|------|------|------|------|------|-----|------|------|------|------|------|-----|------|
| mm | in | mm | in | mm | in | mm | in | mm | in | mm | in | mm | in | mm | in |
| 6.4 | 0.25 | 41.3 | 1.63 | 46.6 | 1.83 | 11.2 | 0.44 | 6.5 | 0.26 | 38.1 | 1.50 | 43.0 | 1.69 | 3.0 | 0.12 |

*Curve, ** Straight

| | Width (W) | | Min. radius (R) | | Weight | | Permissible tensile strength N/lbf | Chain material | Pin material* | Surface | |
|-------------|-----------|------|-----------------|-------|--------|-------|------------------------------------|--------------------------------------|---------------------------------------|-----------|----------|
| | mm | in | mm | in | kg/m | lb/ft | | | | Roughness | Hardness |
| K325 | 82.6 | 3.25 | 457 | 17.99 | 2.90 | 1.95 | 4000 / 899 | S1045 (Heat-treated Carbon Steel) | S1045 (Case-hardened Carbon Steel) | > 0.5 µm | 43 HRC |
| K450 | 114.3 | 4.50 | 500 | 19.69 | 3.60 | 2.42 | | | | | |
| K750 | 190.5 | 7.50 | 500 | 19.69 | 5.30 | 3.56 | | | | | |

* Chains with special hardened pin (HP) for additional wear resistance and higher corrosion strength are made to order.

SIDE FLEXING

PITCH 38.1 MM/1.50 IN



Sprocket

| No of teeth | Pitch diameter | | Overall-diameter | | Min. ø bore | | Max. ø bore | | Hub-diameter | | Dimension A | | Dimension B | | Molded PA6 LG | Molded Cast Iron | Machined PA6 |
|-------------|----------------|------|------------------|------|-------------|------|-------------|------|--------------|------|-------------|------|-------------|------|---------------|------------------|--------------|
| | mm | in | mm | in | mm | in | mm | in | mm | in | mm | in | mm | in | | | |
| Z19 | 117.3 | 4.62 | 117.0 | 4.61 | 20.0 | 0.79 | 40.0 | 1.57 | 58.0 | 2.28 | 58.7 | 2.31 | 64.5 | 2.54 | ✓ | ✓ | |
| Z21 | 129.2 | 5.09 | 130.0 | 5.12 | 20.0 | 0.79 | 40.0 | 1.57 | 58.0 | 2.28 | 65.0 | 2.56 | 70.5 | 2.78 | ✓ | ✓ | |
| Z23 | 141.2 | 5.56 | 142.0 | 5.59 | 20.0 | 0.79 | 40.0 | 1.57 | 58.0 | 2.28 | 71.2 | 2.80 | 76.5 | 3.01 | ✓ | ✓ | |
| Z25 | 153.2 | 6.03 | 155.0 | 6.10 | 20.0 | 0.79 | 40.0 | 1.57 | 58.0 | 2.28 | 77.4 | 3.05 | 82.5 | 3.25 | ✓ | ✓ | |
| Z27 | 165.2 | 6.50 | 167.0 | 6.57 | 20.0 | 0.79 | 70.0 | 2.76 | n/a | n/a | 83.6 | 3.29 | 88.5 | 3.48 | | ✓ | ✓ |
| Z29 | 177.2 | 6.98 | 179.0 | 7.05 | 20.0 | 0.79 | 70.0 | 2.76 | n/a | n/a | 89.8 | 3.54 | 94.6 | 3.72 | | ✓ | ✓ |
| Z31 | 189.3 | 7.45 | 192.0 | 7.56 | 20.0 | 0.79 | 70.0 | 2.76 | n/a | n/a | 95.9 | 3.78 | 100.6 | 3.96 | | ✓ | ✓ |

Two part sprocket

| No of teeth | Pitch diameter | | Overall-diameter | | Min. ø bore | | Max. ø bore | | Hub-diameter | | Dimension A | | Dimension B | | Molded PA6 LG |
|-------------|----------------|------|------------------|------|-------------|------|-------------|------|--------------|------|-------------|------|-------------|------|---------------|
| | mm | in | mm | in | mm | in | mm | in | mm | in | mm | in | mm | in | |
| Z19 | 117.3 | 4.62 | 117.0 | 4.61 | 20.0 | 0.79 | 40.0 | 1.57 | 58.0 | 2.28 | 58.7 | 2.31 | 64.5 | 2.54 | ✓ |
| Z21 | 129.2 | 5.09 | 130.0 | 5.12 | 20.0 | 0.79 | 40.0 | 1.57 | 58.0 | 2.28 | 65.0 | 2.56 | 70.5 | 2.78 | ✓ |
| Z23 | 141.2 | 5.56 | 142.0 | 5.59 | 20.0 | 0.79 | 40.0 | 1.57 | 58.0 | 2.28 | 71.2 | 2.80 | 76.5 | 3.01 | ✓ |
| Z25 | 153.2 | 6.03 | 155.0 | 6.10 | 20.0 | 0.79 | 40.0 | 1.57 | 58.0 | 2.28 | 77.4 | 3.05 | 82.5 | 3.25 | ✓ |

Molded sprocket



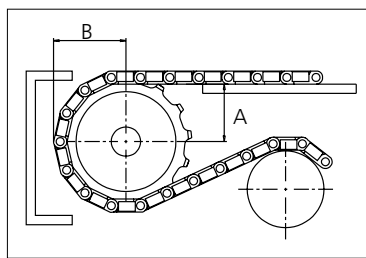
Cast iron sprocket



Machined sprocket



Two part sprocket



Please ensure that sufficient size shaft and keyway are chosen for corresponding load.

Non standard material and color:
See uni Material and Color Overview.

Other sprocket sizes are available upon request

Width of tooth: 31.8 mm/1.25 in

Width of sprocket: 42.3 mm/1.67 in

uni Retainer Rings: See uni Retainer Ring data sheet

uni Guide Rings can be mounted on cast iron and machined sprockets. See uni Guide Rings data sheet



Conveyor Belts



Seamless Belts



Modular Belts



Timing Belts



Transmission Belts



Fabrication & service

Expert advice, quality solutions and local service for all your belting needs
www.ammeraalbeltech.com

Ammeraal Beltech Modular A/S
Hjulmagervej 21
DK-7100 Vejle

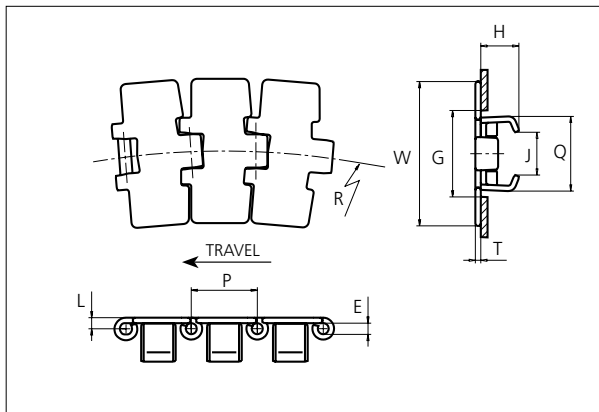
T +45 7572 3100
F +45 7572 3348
admin@unichains.com
www.unichains.com

This information is subject to alteration due to continuous development. Ammeraal Beltech will not be held liable for the incorrect use of the above stated information. This information replaces previous information. All activities performed and services rendered by Ammeraal Beltech are subject to general terms and conditions of sale and delivery, as applied by its operating companies.



Slat Top Stainless Steel Chain

Series **uni 881** Type **Super Flex**



Slat Top Stainless Steel Chain

Side flexing chain
Pitch: 38.1 mm (1.50 in)
Backflex radius:
76.2 mm (3.00 in)

Standard shipping lengths:
coils of 80 in
= 3.048 m (10.0 ft)

NON STANDARD

| E | | G | | H | | J | | L | | P | | Q | | T | |
|-----|------|------|------|------|------|------|------|-----|------|------|------|------|------|-----|------|
| mm | in | mm | in | mm | in | mm | in | mm | in | mm | in | mm | in | mm | in |
| 6.4 | 0.25 | 46.5 | 1.75 | 22.0 | 0.87 | 24.5 | 0.96 | 6.4 | 0.25 | 38.1 | 1.50 | 41.7 | 1.68 | 3.1 | 0.12 |

SIDE FLEXING

| | Width (W) | | Min. radius (R) | | Weight | | Permissible tensile strength N/lbf | Chain material | Pin material* | Surface | |
|-------------|-----------|------|-----------------|-------|--------|-------|------------------------------------|------------------------------------------------------|------------------------------------------------------|-----------|----------|
| | mm | in | mm | in | kg/m | lb/ft | | | | Roughness | Hardness |
| K325 | 82.6 | 3.25 | 457 | 17.99 | 2.90 | 1.95 | 2250 / 506 | AISI 430 (Work hardened ferritic Stainless Steel) | AISI 431 (Work hardened magnetic Stainless Steel) | < 0.5 μm | 20 HRC |
| K450 | 114.3 | 4.50 | 500 | 19.69 | 3.60 | 2.42 | | | | | |
| K750 | 190.5 | 7.50 | 500 | 19.69 | 5.30 | 3.56 | | | | | |

* Chains with special hardened pin (HP) for additional wear resistance and higher corrosion strength are made to order.

PITCH 38.1 MM/1.50 IN



Sprocket

| No of teeth | Pitch diameter | | Overall-diameter | | Min. ø bore | | Max. ø bore | | Hub-diameter | | Dimension A | | Dimension B | | Molded PA6 LG | Molded Cast Iron | Machined PA6 N |
|-------------|----------------|------|------------------|------|-------------|------|-------------|------|--------------|------|-------------|------|-------------|------|---------------|------------------|----------------|
| | mm | in | mm | in | mm | in | mm | in | mm | in | mm | in | mm | in | | | |
| Z19 | 117.3 | 4.62 | 117.0 | 4.61 | 20.0 | 0.79 | 40.0 | 1.57 | 58.0 | 2.28 | 58.7 | 2.31 | 64.5 | 2.54 | ✓ | ✓ | |
| Z21 | 129.2 | 5.09 | 130.0 | 5.12 | 20.0 | 0.79 | 40.0 | 1.57 | 58.0 | 2.28 | 65.0 | 2.56 | 70.5 | 2.78 | ✓ | ✓ | |
| Z23 | 141.2 | 5.56 | 142.0 | 5.59 | 20.0 | 0.79 | 40.0 | 1.57 | 58.0 | 2.28 | 71.2 | 2.80 | 76.5 | 3.01 | ✓ | ✓ | |
| Z25 | 153.2 | 6.03 | 155.0 | 6.10 | 20.0 | 0.79 | 40.0 | 1.57 | 58.0 | 2.28 | 77.4 | 3.05 | 82.5 | 3.25 | ✓ | ✓ | |
| Z27 | 165.2 | 6.50 | 167.0 | 6.57 | 20.0 | 0.79 | 70.0 | 2.76 | n/a | n/a | 83.6 | 3.29 | 88.5 | 3.48 | | ✓ | ✓ |
| Z29 | 177.2 | 6.98 | 179.0 | 7.05 | 20.0 | 0.79 | 70.0 | 2.76 | n/a | n/a | 89.8 | 3.54 | 94.6 | 3.72 | | ✓ | ✓ |
| Z31 | 189.3 | 7.45 | 192.0 | 7.56 | 20.0 | 0.79 | 70.0 | 2.76 | n/a | n/a | 95.9 | 3.78 | 100.6 | 3.96 | | ✓ | ✓ |

Two part sprocket

| No of teeth | Pitch diameter | | Overall-diameter | | Min. ø bore | | Max. ø bore | | Hub-diameter | | Dimension A | | Dimension B | | Molded PA6 LG |
|-------------|----------------|------|------------------|------|-------------|------|-------------|------|--------------|------|-------------|------|-------------|------|---------------|
| | mm | in | mm | in | mm | in | mm | in | mm | in | mm | in | mm | in | |
| Z19 | 117.3 | 4.62 | 117.0 | 4.61 | 20.0 | 0.79 | 40.0 | 1.57 | 58.0 | 2.28 | 58.7 | 2.31 | 64.5 | 2.54 | ✓ |
| Z21 | 129.2 | 5.09 | 130.0 | 5.12 | 20.0 | 0.79 | 40.0 | 1.57 | 58.0 | 2.28 | 65.0 | 2.56 | 70.5 | 2.78 | ✓ |
| Z23 | 141.2 | 5.56 | 142.0 | 5.59 | 20.0 | 0.79 | 40.0 | 1.57 | 58.0 | 2.28 | 71.2 | 2.80 | 76.5 | 3.01 | ✓ |
| Z25 | 153.2 | 6.03 | 155.0 | 6.10 | 20.0 | 0.79 | 40.0 | 1.57 | 58.0 | 2.28 | 77.4 | 3.05 | 82.5 | 3.25 | ✓ |

Molded sprocket



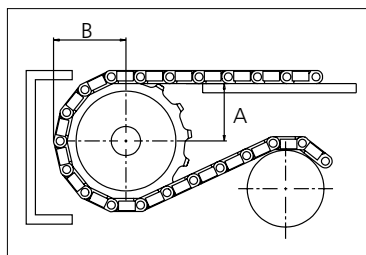
Cast iron sprocket



Machined sprocket



Two part sprocket



Please ensure that sufficient size shaft and keyway are chosen for corresponding load.

Non standard material and color:
See uni Material and Color Overview.

Other sprocket sizes are available upon request

Width of tooth: 31.8 mm/1.25 in

Width of sprocket: 42.3 mm/1.67 in

uni Retainer Rings: See uni Retainer Ring data sheet

uni Guide Rings can be mounted on cast iron and machined sprockets. See uni Guide Rings data sheet



Conveyor Belts



Seamless Belts



Modular Belts



Timing Belts



Transmission Belts



Fabrication & service

Expert advice, quality solutions and local service for all your belting needs
www.ammeraalbeltech.com

Ammeraal Beltech Modular A/S
Hjulmagervej 21
DK-7100 Vejle

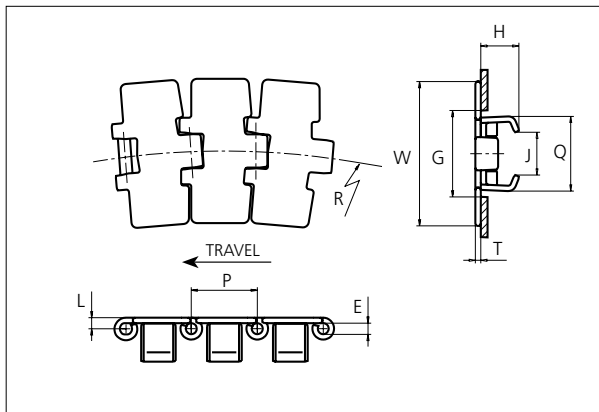
T +45 7572 3100
F +45 7572 3348
admin@unichains.com
www.unichains.com

This information is subject to alteration due to continuous development. Ammeraal Beltech will not be held liable for the incorrect use of the above stated information. This information replaces previous information. All activities performed and services rendered by Ammeraal Beltech are subject to general terms and conditions of sale and delivery, as applied by its operating companies.



Slat Top Stainless Steel Chain

Series **uni 881** Type **Super Flex**



Slat Top Stainless Steel Chain

Side flexing chain
Pitch: 38.1 mm (1.50 in)
Backflex radius:
76.2 mm (3.00 in)

Standard shipping lengths:
coils of 80 in
= 3.048 m (10 ft)

| E | | G | | H | | J | | L | | P | | Q | | T | |
|-----|------|------|------|------|------|------|------|-----|------|------|------|------|------|-----|------|
| mm | in | mm | in | mm | in | mm | in | mm | in | mm | in | mm | in | mm | in |
| 6.4 | 0.25 | 46.5 | 1.75 | 22.0 | 0.87 | 24.5 | 0.96 | 6.4 | 0.25 | 38.1 | 1.50 | 41.7 | 1.68 | 3.1 | 0.12 |

| | Width (W) | | Min. radius (R) | | Weight | | Permissible tensile strength N/lbf | Chain material | Pin material* | Surface | |
|-------------|-----------|------|-----------------|-------|--------|-------|------------------------------------|-----------------------------------------------------------------------------------|-----------------------------------------------------------------------------------|-----------|----------|
| | mm | in | mm | in | kg/m | lb/ft | | | | Roughness | Hardness |
| K325 | 82.6 | 3.25 | 457 | 17.99 | 2.90 | 1.95 | 2250 / 506 | AISI 304 (Work hardened Crome-nickel 18/8 austenitic Stainless Steel) | AISI 304 (Work hardened Crome-nickel 18/8 austenitic Stainless Steel) | < 0.5 µm | 26 HRC |
| K450 | 114.3 | 4.50 | 500 | 19.69 | 3.60 | 2.42 | | | | | |
| K750 | 190.5 | 7.50 | 500 | 19.69 | 5.30 | 3.56 | | | | | |

* Chains with special hardened pin (HP) for additional wear resistance and higher corrosion strength are made to order.

NON STANDARD

SIDE FLEXING

PITCH 38.1 MM/1.50 IN



Sprocket

| No of teeth | Pitch diameter | | Overall-diameter | | Min. ø bore | | Max. ø bore | | Hub-diameter | | Dimension A | | Dimension B | | Molded PA6 LG | Molded Cast Iron | Machined PA6 |
|-------------|----------------|------|------------------|------|-------------|------|-------------|------|--------------|------|-------------|------|-------------|------|---------------|------------------|--------------|
| | mm | in | mm | in | mm | in | mm | in | mm | in | mm | in | mm | in | | | |
| Z19 | 117.3 | 4.62 | 117.0 | 4.61 | 20.0 | 0.79 | 40.0 | 1.57 | 58.0 | 2.28 | 58.7 | 2.31 | 64.5 | 2.54 | ✓ | ✓ | |
| Z21 | 129.2 | 5.09 | 130.0 | 5.12 | 20.0 | 0.79 | 40.0 | 1.57 | 58.0 | 2.28 | 65.0 | 2.56 | 70.5 | 2.78 | ✓ | ✓ | |
| Z23 | 141.2 | 5.56 | 142.0 | 5.59 | 20.0 | 0.79 | 40.0 | 1.57 | 58.0 | 2.28 | 71.2 | 2.80 | 76.5 | 3.01 | ✓ | ✓ | |
| Z25 | 153.2 | 6.03 | 155.0 | 6.10 | 20.0 | 0.79 | 40.0 | 1.57 | 58.0 | 2.28 | 77.4 | 3.05 | 82.5 | 3.25 | ✓ | ✓ | |
| Z27 | 165.2 | 6.50 | 167.0 | 6.57 | 20.0 | 0.79 | 70.0 | 2.76 | n/a | n/a | 83.6 | 3.29 | 88.5 | 3.48 | | ✓ | ✓ |
| Z29 | 177.2 | 6.98 | 179.0 | 7.05 | 20.0 | 0.79 | 70.0 | 2.76 | n/a | n/a | 89.8 | 3.54 | 94.6 | 3.72 | | ✓ | ✓ |
| Z31 | 189.3 | 7.45 | 192.0 | 7.56 | 20.0 | 0.79 | 70.0 | 2.76 | n/a | n/a | 95.9 | 3.78 | 100.6 | 3.96 | | ✓ | ✓ |

Two part sprocket

| No of teeth | Pitch diameter | | Overall-diameter | | Min. ø bore | | Max. ø bore | | Hub-diameter | | Dimension A | | Dimension B | | Molded PA6 LG |
|-------------|----------------|------|------------------|------|-------------|------|-------------|------|--------------|------|-------------|------|-------------|------|---------------|
| | mm | in | mm | in | mm | in | mm | in | mm | in | mm | in | mm | in | |
| Z19 | 117.3 | 4.62 | 117.0 | 4.61 | 20.0 | 0.79 | 40.0 | 1.57 | 58.0 | 2.28 | 58.7 | 2.31 | 64.5 | 2.54 | ✓ |
| Z21 | 129.2 | 5.09 | 130.0 | 5.12 | 20.0 | 0.79 | 40.0 | 1.57 | 58.0 | 2.28 | 65.0 | 2.56 | 70.5 | 2.78 | ✓ |
| Z23 | 141.2 | 5.56 | 142.0 | 5.59 | 20.0 | 0.79 | 40.0 | 1.57 | 58.0 | 2.28 | 71.2 | 2.80 | 76.5 | 3.01 | ✓ |
| Z25 | 153.2 | 6.03 | 155.0 | 6.10 | 20.0 | 0.79 | 40.0 | 1.57 | 58.0 | 2.28 | 77.4 | 3.05 | 82.5 | 3.25 | ✓ |

Molded sprocket



Cast iron sprocket



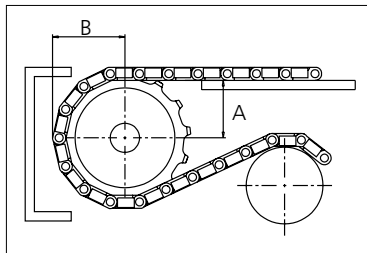
Machined sprocket



Two part sprocket



Non standard material and color:
See uni Material and Color Overview.



Please ensure that sufficient size shaft and keyway are chosen for corresponding load.

Other sprocket sizes are available upon request

Width of tooth: 31.8 mm/1.25 in

Width of sprocket: 42.3 mm/1.67 in

uni Retainer Rings: See uni Retainer Ring data sheet

uni Guide Rings can be mounted on cast iron and machined sprockets. See uni Guide Rings data sheet



Conveyor Belts



Seamless Belts



Modular Belts



Timing Belts



Transmission Belts



Fabrication & service

Expert advice, quality solutions and local service for all your belting needs
www.ammeraalbeltech.com

Ammeraal Beltech Modular A/S
Hjulmagervej 21
DK-7100 Vejle

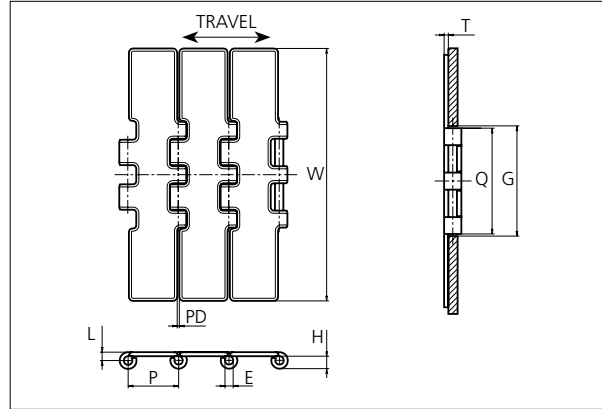
T +45 7572 3100
F +45 7572 3348
admin@unichains.com
www.unichains.com

This information is subject to alteration due to continuous development. Ammeraal Beltech will not be held liable for the incorrect use of the above stated information. This information replaces previous information. All activities performed and services rendered by Ammeraal Beltech are subject to general terms and conditions of sale and delivery, as applied by its operating companies.



Slat Top Stainless Steel Chain

Series **uni 805 PLUS⁺** Type **Double Hinge**



Slat Top Stainless Steel Chain

Straight running chain
Pitch: 38.1 mm (1.50 in)
Backflex radius:
150.0 mm (5.91 in)

Standard shipping lengths:
coils of 80 links
= 3.048 m (10.0 ft)

STANDARD

| E | | G | | H | | L | | P | | Q | | T | | PD | |
|-----|------|------|------|-----|------|-----|------|------|------|------|------|-----|------|-----|------|
| mm | in | mm | in | mm | in | mm | in | mm | in | mm | in | mm | in | mm | in |
| 6.4 | 0.25 | 82.5 | 3.25 | 9.9 | 0.39 | 6.5 | 0.26 | 38.1 | 1.50 | 80.5 | 3.17 | 3.0 | 0.12 | 1.6 | 0.06 |

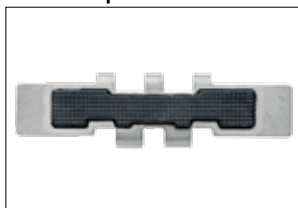
| | Width (W) | | Weight | | Permissible tensile strength N/lbf | Chain material | Pin material* | Surface | |
|-------------|-----------|------|--------|-------|------------------------------------|--------------------------------------------------------------------------------|------------------------------------------------------------|-----------|----------|
| | mm | in | kg/m | lb/ft | | | | Roughness | Hardness |
| K750 | 190.5 | 7.50 | 5.80 | 3.90 | 4500 / 1012 | S420 35 (Special Work hardened Crome-nickel ferritic Stainless Steel) | AISI 431 (Work hardened magnetic Stainless Steel) | < 0.3 μm | 30 HRC |

STRAIGHT RUNNING

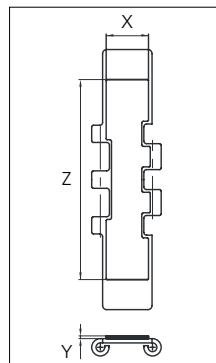
* Chains with special hardened pin (HP) for additional wear resistance and higher corrosion strength are made to order.

Accessories

Rubber Top




Non stock item. Contact Customer Service for delivery time.



| Width | Rubber material | Z | | X | | Y | |
|-------------|-----------------|-------|------|------|------|-----|------|
| | | mm | in | mm | in | mm | in |
| K750 | 06 K | 140.0 | 5.51 | 24.5 | 0.96 | 3.0 | 0.12 |

PITCH 38.1 MM/1.50 IN

Sprocket

| No. of teeth | Pitch diameter | | Overall diameter | | Min. ø bore | | Max. ø bore | | Hub diameter | | Dimension A | | Dimension B | | Molded Cast Iron | Machined PA6  |
|--------------|----------------|------|------------------|------|-------------|------|-------------|------|--------------|------|-------------|------|-------------|------|------------------|--------------------------------------------------------------------------------------------------|
| | mm | in | mm | in | mm | in | mm | in | mm | in | mm | in | mm | in | | |
| Z19 | 117.3 | 4.62 | 117.0 | 4.61 | 20.0 | 0.79 | 40.0 | 1.57 | 58.0 | 2.28 | 58.7 | 2.31 | 64.5 | 2.54 | ✓ | ✓ |
| Z21 | 129.2 | 5.09 | 130.0 | 5.12 | 20.0 | 0.79 | 40.0 | 1.57 | 58.0 | 2.28 | 65.0 | 2.56 | 70.5 | 2.78 | ✓ | ✓ |
| Z23 | 141.2 | 5.56 | 142.0 | 5.59 | 20.0 | 0.79 | 40.0 | 1.57 | 58.0 | 2.28 | 71.2 | 2.80 | 76.5 | 3.01 | ✓ | ✓ |
| Z25 | 153.2 | 6.03 | 155.0 | 6.10 | 20.0 | 0.79 | 40.0 | 1.57 | 58.0 | 2.28 | 77.4 | 3.05 | 82.5 | 3.25 | ✓ | ✓ |
| Z27 | 165.2 | 6.50 | 167.0 | 6.57 | 20.0 | 0.79 | 70.0 | 2.76 | n/a | n/a | 83.6 | 3.29 | 88.5 | 3.48 | ✓ | ✓ |
| Z29 | 177.2 | 6.98 | 179.0 | 7.05 | 20.0 | 0.79 | 70.0 | 2.76 | n/a | n/a | 89.8 | 3.54 | 94.6 | 3.72 | ✓ | ✓ |
| Z31 | 189.3 | 7.45 | 192.0 | 7.56 | 20.0 | 0.79 | 70.0 | 2.76 | n/a | n/a | 95.9 | 3.78 | 100.6 | 3.96 | ✓ | ✓ |

Two part sprocket

| No. of teeth | Pitch diameter | | Overall diameter | | Min. ø bore | | Max. ø bore | | Hub diameter | | Dimension A | | Dimension B | | Molded PA6 LG |
|--------------|----------------|------|------------------|------|-------------|------|-------------|------|--------------|------|-------------|------|-------------|------|---------------|
| | mm | in | mm | in | mm | in | mm | in | mm | in | mm | in | mm | in | |
| Z25 | 153.2 | 6.03 | 155.0 | 6.10 | 20.0 | 0.79 | 40.0 | 1.57 | 58.0 | 2.28 | 77.4 | 3.05 | 82.5 | 3.25 | ✓ |

Non standard material and color:
See uni Material and Color Overview.

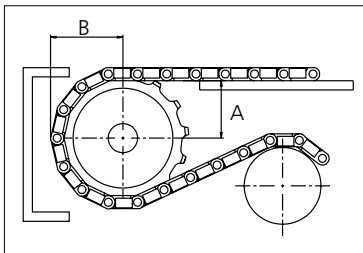
Cast iron sprocket



Machined sprocket



Molded two part sprocket



Please ensure that sufficient size shaft and keyway are chosen for corresponding load.

Other sprocket sizes are available upon request

Width of tooth: 79.4 mm/3.13 in

Width of sprocket: 79.4 mm/3.13 in

uni Retainer Rings: See uni Retainer Ring data sheet

uni Idler: See uni Idler data sheet

uni Guide Rings can be mounted on cast iron and machined sprockets. See uni Guide Rings data sheet

uni 805 Plus+ Double Hinge/160621



Conveyor Belts



Seamless Belts



Modular Belts



Timing Belts



Transmission Belts



Fabrication & service

Expert advice, quality solutions and local service for all your belting needs
www.ammeraalbeltech.com

Ammeraal Beltech Modular A/S
Hjulmagervej 21
DK-7100 Vejle

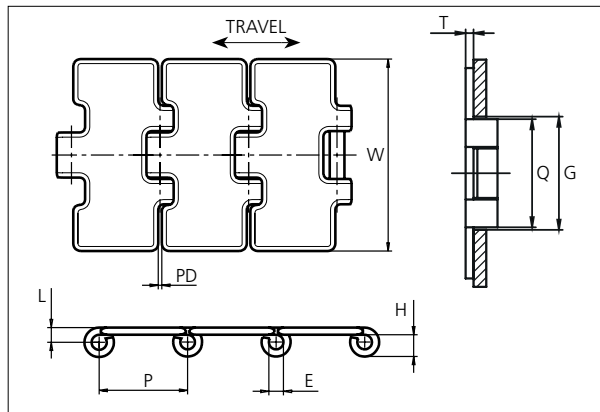
T +45 7572 3100
F +45 7572 3348
admin@unichains.com
www.unichains.com

This information is subject to alteration due to continuous development. Ammeraal Beltech will not be held liable for the incorrect use of the above stated information. This information replaces previous information. All activities performed and services rendered by Ammeraal Beltech are subject to general terms and conditions of sale and delivery, as applied by its operating companies.



Slat Top Stainless Steel Chain

Series **uni 815 PLUS+** Type **Single Hinge**



Slat Top Stainless Steel Chain

Straight running chain
Pitch: 38.1 mm (1.50 in)
Backflex radius:
150.0 mm (5.91 in)

Standard shipping lengths:
coils of 80 links
= 3.048 m (10.0 ft)

STANDARD

| E | | G | | H | | L | | P | | Q | | T | | PD | |
|-----|------|------|------|-----|------|-----|------|------|------|------|------|-----|------|-----|------|
| mm | in | mm | in | mm | in | mm | in | mm | in | mm | in | mm | in | mm | in |
| 6.4 | 0.25 | 44.5 | 1.75 | 9.9 | 0.39 | 6.5 | 0.26 | 38.1 | 1.50 | 42.5 | 1.67 | 3.0 | 0.12 | 1.6 | 0.06 |

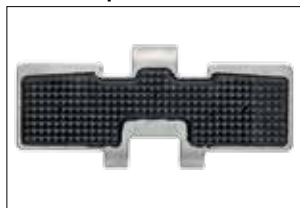
STRAIGHT RUNNING

| Width (W) | | | Weight | | Permissible tensile strength N/lbf | Chain material | Pin material* | Surface | |
|-------------|-------|------|--------|-------|------------------------------------|------------------------------------------------------------------------|---------------------------------------------------|-----------|----------|
| | mm | in | kg/m | lb/ft | | | | Roughness | Hardness |
| K325 | 82.6 | 3.25 | 2.65 | 1.78 | 3000 / 674 | S420 35 (Special Work hardened Chrome-nickel ferritic Stainless Steel) | AISI 431 (Work hardened magnetic Stainless Steel) | < 0.3 μm | 30 HRC |
| K330 | 83.8 | 3.30 | 2.70 | 1.81 | | | | | |
| K400 | 101.6 | 4.00 | 3.00 | 2.02 | | | | | |
| K450 | 114.3 | 4.50 | 3.30 | 2.22 | | | | | |
| K600 | 152.4 | 6.00 | 4.20 | 2.82 | | | | | |
| K750 | 190.5 | 7.50 | 5.10 | 3.43 | | | | | |

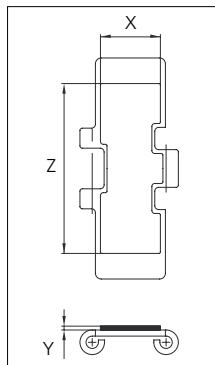
* Chains with special hardened pin (HP) for additional wear resistance and higher corrosion strength are made to order.

Accessories

Rubber Top



Non stock item. Contact Customer Service for delivery time.



| Width | Rubber material | Z | | X | | Y | |
|-------------|-----------------|-------|------|------|------|-----|------|
| | | mm | in | mm | in | mm | in |
| K325 | 06 K | 77.0 | 3.03 | 30.0 | 1.18 | 2.0 | 0.08 |
| K450 | 06 K | 108.0 | 4.25 | 27.0 | 1.06 | 2.0 | 0.08 |
| K600 | 06 K | 146.0 | 5.75 | 30.0 | 1.18 | 2.0 | 0.08 |
| K750 | 06 K | 146.0 | 5.75 | 30.0 | 1.18 | 2.0 | 0.08 |

PITCH 38.1 MM/1.50 IN



Sprocket

| No. of teeth | Pitch diameter | | Overall diameter | | Min. ø bore | | Max. ø bore | | Hub diameter | | Dimension A | | Dimension B | | Molded PA6 LG | Molded Cast Iron | Machined PA6 LG |
|--------------|----------------|------|------------------|------|-------------|-----|-------------|-----|--------------|------|-------------|------|-------------|------|---------------|------------------|-----------------|
| | mm | in | mm | in | mm | in | mm | in | mm | in | mm | in | mm | in | | | |
| Z13 | 82.0 | 3.22 | 79.0 | 3.11 | 20 | 0.8 | 40 | 1.6 | n/a | n/a | 29.8 | 1.17 | 48.1 | 1.89 | | ✓ | |
| Z19 | 117.3 | 4.62 | 117.0 | 4.61 | 20 | 0.8 | 40 | 1.6 | 58 | 2.28 | 58.7 | 2.31 | 64.5 | 2.54 | ✓ | ✓ | |
| Z21 | 129.2 | 5.09 | 130.0 | 5.12 | 20 | 0.8 | 40 | 1.6 | 58 | 2.28 | 65 | 2.56 | 70.5 | 2.78 | ✓ | ✓ | |
| Z23 | 141.2 | 5.56 | 142.0 | 5.59 | 20 | 0.8 | 40 | 1.6 | 58 | 2.28 | 71.2 | 2.80 | 76.5 | 3.01 | ✓ | ✓ | |
| Z25 | 153.2 | 6.03 | 155.0 | 6.10 | 20 | 0.8 | 40 | 1.6 | 58 | 2.28 | 77.4 | 3.05 | 82.5 | 3.25 | ✓ | ✓ | |
| Z27 | 165.2 | 6.50 | 167.0 | 6.57 | 20 | 0.8 | 70 | 2.8 | n/a | n/a | 83.6 | 3.29 | 88.5 | 3.48 | | ✓ | ✓ |
| Z29 | 177.2 | 6.98 | 179.0 | 7.05 | 20 | 0.8 | 70 | 2.8 | n/a | n/a | 89.8 | 3.54 | 94.6 | 3.72 | | ✓ | ✓ |
| Z31 | 189.3 | 7.45 | 192.0 | 7.56 | 20 | 0.8 | 70 | 2.8 | n/a | n/a | 95.9 | 3.78 | 100.6 | 3.96 | | ✓ | ✓ |

Two part sprocket

| No. of teeth | Pitch diameter | | Overall diameter | | Min. ø bore | | Max. ø bore | | Hub diameter | | Dimension A | | Dimension B | | Molded PA6 LG |
|--------------|----------------|------|------------------|------|-------------|------|-------------|------|--------------|------|-------------|------|-------------|------|---------------|
| | mm | in | mm | in | mm | in | mm | in | mm | in | mm | in | mm | in | |
| Z19 | 117.3 | 4.62 | 117.0 | 4.61 | 20.0 | 0.79 | 40.0 | 1.57 | 58.0 | 2.28 | 58.7 | 2.31 | 64.5 | 2.54 | ✓ |
| Z21 | 129.2 | 5.09 | 130.0 | 5.12 | 20.0 | 0.79 | 40.0 | 1.57 | 58.0 | 2.28 | 65.0 | 2.56 | 70.5 | 2.78 | ✓ |
| Z23 | 141.2 | 5.56 | 142.0 | 5.59 | 20.0 | 0.79 | 40.0 | 1.57 | 58.0 | 2.28 | 71.2 | 2.80 | 76.5 | 3.01 | ✓ |
| Z25 | 153.2 | 6.03 | 155.0 | 6.10 | 20.0 | 0.79 | 40.0 | 1.57 | 58.0 | 2.28 | 77.4 | 3.05 | 82.5 | 3.25 | ✓ |

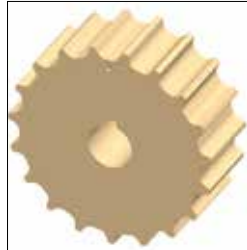
Molded sprocket



Cast iron sprocket



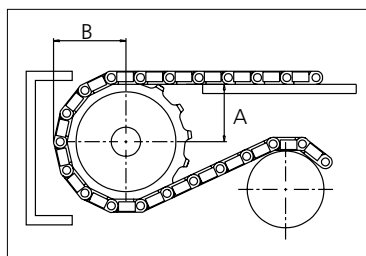
Machined sprocket



Two part sprocket



Non standard material and color:
See uni Material and Color Overview.



Please ensure that sufficient size shaft and keyway are chosen for corresponding load.

Other sprocket sizes are available upon request

Width of tooth: 42.3 mm/1.67 in

Width of sprocket: 42.3 mm/1.67 in

uni Retainer Rings: See uni Retainer Ring data sheet

uni Idler: See uni Idler data sheet

uni Guide Rings can be mounted on cast iron and machined sprockets. See uni Guide Rings data sheet



Conveyor Belts



Seamless Belts



Modular Belts



Timing Belts



Transmission Belts



Fabrication & service

Expert advice, quality solutions and local service for all your belting needs
www.ammeraalbeltech.com

Ammeraal Beltech Modular A/S
Hjulmagervej 21
DK-7100 Vejle

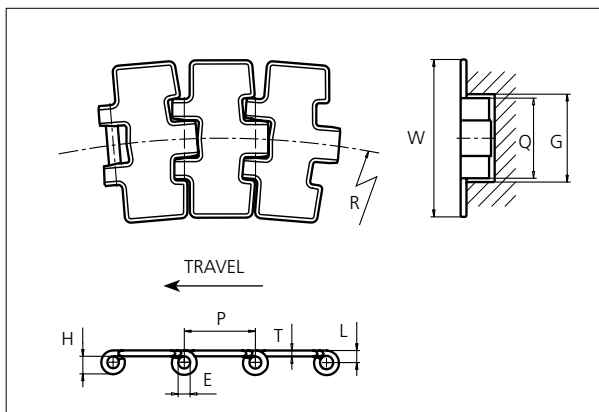
T +45 7572 3100
F +45 7572 3348
admin@unichains.com
www.unichains.com

This information is subject to alteration due to continuous development. Ammeraal Beltech will not be held liable for the incorrect use of the above stated information. This information replaces previous information. All activities performed and services rendered by Ammeraal Beltech are subject to general terms and conditions of sale and delivery, as applied by its operating companies.



Slat Top Stainless Steel Chain

Series **uni 8811 PLUS⁺** Type **Magnetic**



Slat Top Stainless Steel Chain

Side flexing chain
Pitch: 38.1 mm (1.50 in)
Backflex radius:
76.2 mm (3.00 in)

Standard shipping lengths:
coils of 80 links
= 3.048 m (10.0 ft)

STANDARD

| E | | G | | H | | L | | P | | Q | | T | |
|-----|------|------|------|-----|------|-----|------|------|------|------|------|-----|------|
| mm | in | mm | in | mm | in | mm | in | mm | in | mm | in | mm | in |
| 6.4 | 0.25 | 44.0 | 1.73 | 9.9 | 0.39 | 6.5 | 0.26 | 38.1 | 1.50 | 42.2 | 1.66 | 3.0 | 0.12 |

| | Width (W) | | Min. radius (R) | | Weight | | Permissible tensile strength N/lbf | Chain material | Pin material* | Surface | |
|-------------|-----------|------|-----------------|-------|--------|-------|------------------------------------|-----------------------------------------------------------------------------------|------------------------------------------------------------|-----------|----------|
| | mm | in | mm | in | kg/m | lb/ft | | | | Roughness | Hardness |
| K325 | 82.6 | 3.25 | 500 | 19.69 | 2.50 | 1.68 | 3000 / 674 | S420 35 (Special Work hardened Crome-nickel ferritic Stainless Steel) | AISI 431 (Work hardened magnetic Stainless Steel) | < 0.3 µm | 30 HRC |
| K330 | 83.8 | 3.30 | | | 2.65 | 1.78 | | | | | |

* Chains with special hardened pin (HP) for additional wear resistance and higher corrosion strength are made to order.

SIDE FLEXING

PITCH 38.1 MM/1.50 IN



Sprocket

| No of teeth | Pitch diameter | | Overall-diameter | | Min. ø bore | | Max. ø bore | | Hub-diameter | | A-dimension | | B-dimension | | Molded PA6 LG | Molded Cast Iron | Machined PA6 |
|-------------|----------------|------|------------------|------|-------------|------|-------------|------|--------------|------|-------------|------|-------------|------|---------------|------------------|--------------|
| | mm | in | mm | in | mm | in | mm | in | mm | in | mm | in | mm | in | | | |
| Z19 | 117.3 | 4.62 | 117.0 | 4.61 | 20.0 | 0.79 | 40.0 | 1.57 | 58.0 | 2.28 | 58.7 | 2.31 | 64.5 | 2.54 | ✓ | ✓ | |
| Z21 | 129.2 | 5.09 | 130.0 | 5.12 | 20.0 | 0.79 | 40.0 | 1.57 | 58.0 | 2.28 | 65.0 | 2.56 | 70.5 | 2.78 | ✓ | ✓ | |
| Z23 | 141.2 | 5.56 | 142.0 | 5.59 | 20.0 | 0.79 | 40.0 | 1.57 | 58.0 | 2.28 | 71.2 | 2.80 | 76.5 | 3.01 | ✓ | ✓ | |
| Z25 | 153.2 | 6.03 | 155.0 | 6.10 | 20.0 | 0.79 | 40.0 | 1.57 | 58.0 | 2.28 | 77.4 | 3.05 | 82.5 | 3.25 | ✓ | ✓ | |
| Z27 | 165.2 | 6.50 | 167.0 | 6.57 | 20.0 | 0.79 | 70.0 | 2.76 | n/a | n/a | 83.6 | 3.29 | 88.5 | 3.48 | | ✓ | ✓ |
| Z29 | 177.2 | 6.98 | 179.0 | 7.05 | 20.0 | 0.79 | 70.0 | 2.76 | n/a | n/a | 89.8 | 3.54 | 94.6 | 3.72 | | ✓ | ✓ |
| Z31 | 189.3 | 7.45 | 192.0 | 7.56 | 20.0 | 0.79 | 70.0 | 2.76 | n/a | n/a | 95.9 | 3.78 | 100.6 | 3.96 | | ✓ | ✓ |

Two part sprocket

| No of teeth | Pitch diameter | | Overall-diameter | | Min. ø bore | | Max. ø bore | | Hub-diameter | | A-dimension | | B-dimension | | Molded PA6 LG |
|-------------|----------------|------|------------------|------|-------------|------|-------------|------|--------------|------|-------------|------|-------------|------|---------------|
| | mm | in | mm | in | mm | in | mm | in | mm | in | mm | in | mm | in | |
| Z19 | 117.3 | 4.62 | 117.0 | 4.61 | 20.0 | 0.79 | 40.0 | 1.57 | 58.0 | 2.28 | 58.7 | 2.31 | 64.5 | 2.54 | ✓ |
| Z21 | 129.2 | 5.09 | 130.0 | 5.12 | 20.0 | 0.79 | 40.0 | 1.57 | 58.0 | 2.28 | 65.0 | 2.56 | 70.5 | 2.78 | ✓ |
| Z23 | 141.2 | 5.56 | 142.0 | 5.59 | 20.0 | 0.79 | 40.0 | 1.57 | 58.0 | 2.28 | 71.2 | 2.80 | 76.5 | 3.01 | ✓ |
| Z25 | 153.2 | 6.03 | 155.0 | 6.10 | 20.0 | 0.79 | 40.0 | 1.57 | 58.0 | 2.28 | 77.4 | 3.05 | 82.5 | 3.25 | ✓ |

Molded sprocket



Cast iron sprocket



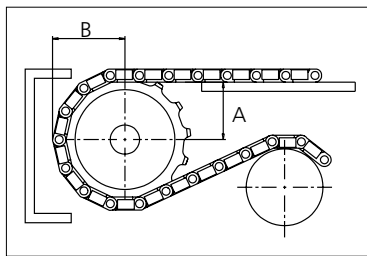
Machined sprocket



Two part sprocket



Non standard material and color:
See uni Material and Color Overview.



Please ensure that sufficient size shaft and keyway are chosen for corresponding load.

Other sprocket sizes are available upon request

Width of tooth: 42.3 mm/1.67 in

Width of sprocket: 42.3 mm/1.67 in

uni Retainer Rings: See uni Retainer Ring data sheet

uni Idler: See uni Idler data sheet

uni Guide Rings can be mounted on cast iron and machined sprockets. See uni Guide Rings data sheet



Conveyor Belts



Seamless Belts



Modular Belts



Timing Belts



Transmission Belts



Fabrication & service

Expert advice, quality solutions and local service for all your belting needs
www.ammeraalbeltech.com

Ammeraal Beltech Modular A/S
Hjulmagervej 21
DK-7100 Vejle

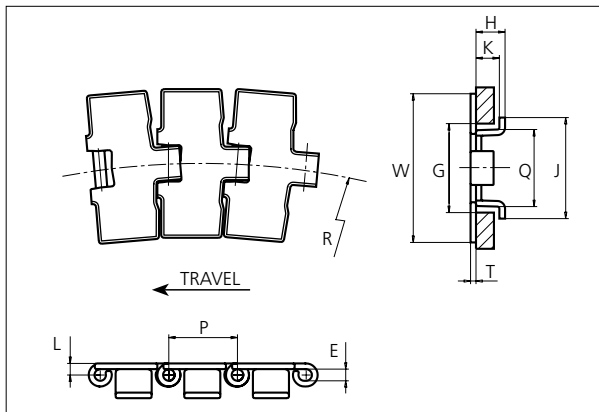
T +45 7572 3100
F +45 7572 3348
admin@unichains.com
www.unichains.com

This information is subject to alteration due to continuous development. Ammeraal Beltech will not be held liable for the incorrect use of the above stated information. This information replaces previous information. All activities performed and services rendered by Ammeraal Beltech are subject to general terms and conditions of sale and delivery, as applied by its operating companies.



Slat Top Stainless Steel Chain

Series **uni 8811 PLUS⁺** Type **Tab**



Slat Top Stainless Steel Chain
 Side flexing chain
 Pitch: 38.1 mm (1.50 in)
 Backflex radius:
 76.2 mm (3.00 in)
 Standard shipping lengths:
 coils of 80 links
 = 3.048 m (10.0 ft)

STANDARD

| E | | G | | H | | J | | K | | L | | P | | Q | | T | |
|-----|------|------|------|------|------|------|------|------|------|-----|------|------|------|------|------|-----|------|
| mm | in | mm | in | mm | in | mm | in | mm | in | mm | in | mm | in | mm | in | mm | in |
| 6.4 | 0.25 | 44.5 | 1.75 | 16.3 | 0.64 | 56.2 | 2.21 | 12.7 | 0.50 | 6.5 | 0.26 | 38.1 | 1.50 | 43.0 | 1.69 | 3.0 | 0.12 |

SIDE FLEXING

| | Width (W) | | Min. radius (R) | | Weight | | Permissible tensile strength N/lbf | Chain material | Pin material* | Surface | |
|-------------|-----------|------|-----------------|-------|--------|-------|------------------------------------|------------------------------------------------------------------------|---------------------------------------------------|-----------|----------|
| | mm | in | mm | in | kg/m | lb/ft | | | | Roughness | Hardness |
| K325 | 82.6 | 3.25 | 500 | 19.69 | 3.10 | 2.08 | 3000 / 674 | S420 35 (Special Work hardened Chrome-nickel ferritic Stainless Steel) | AISI 431 (Work hardened magnetic Stainless Steel) | < 0.3 µm | 30 HRC |

* Chains with special hardened pin (HP) for additional wear resistance and higher corrosion strength are made to order.

PITCH 38.1 MM/1.50 IN



Sprocket

| No of teeth | Pitch diameter | | Overall-diameter | | Min. ø bore | | Max. ø bore | | Hub-diameter | | A-dimension | | B-dimension | | Molded PA6 LG | Molded Cast Iron | Machined PA6 |
|-------------|----------------|------|------------------|------|-------------|------|-------------|------|--------------|------|-------------|------|-------------|------|---------------|------------------|--------------|
| | mm | in | mm | in | mm | in | mm | in | mm | in | mm | in | mm | in | ✓ | ✓ | ✓ |
| Z19 | 117.3 | 4.62 | 117.0 | 4.61 | 20.0 | 0.79 | 40.0 | 1.57 | 58.0 | 2.28 | 58.7 | 2.31 | 64.5 | 2.54 | ✓ | ✓ | |
| Z21 | 129.2 | 5.09 | 130.0 | 5.12 | 20.0 | 0.79 | 40.0 | 1.57 | 58.0 | 2.28 | 65.0 | 2.56 | 70.5 | 2.78 | ✓ | ✓ | |
| Z23 | 141.2 | 5.56 | 142.0 | 5.59 | 20.0 | 0.79 | 40.0 | 1.57 | 58.0 | 2.28 | 71.2 | 2.80 | 76.5 | 3.01 | ✓ | ✓ | |
| Z25 | 153.2 | 6.03 | 155.0 | 6.10 | 20.0 | 0.79 | 40.0 | 1.57 | 58.0 | 2.28 | 77.4 | 3.05 | 82.5 | 3.25 | ✓ | ✓ | |
| Z27 | 165.2 | 6.50 | 167.0 | 6.57 | 20.0 | 0.79 | 70.0 | 2.76 | n/a | n/a | 83.6 | 3.29 | 88.5 | 3.48 | | ✓ | ✓ |
| Z29 | 177.2 | 6.98 | 179.0 | 7.05 | 20.0 | 0.79 | 70.0 | 2.76 | n/a | n/a | 89.8 | 3.54 | 94.6 | 3.72 | | ✓ | ✓ |
| Z31 | 189.3 | 7.45 | 192.0 | 7.56 | 20.0 | 0.79 | 70.0 | 2.76 | n/a | n/a | 95.9 | 3.78 | 100.6 | 3.96 | | ✓ | ✓ |

Two part sprocket

| No of teeth | Pitch diameter | | Overall-diameter | | Min. ø bore | | Max. ø bore | | Hub-diameter | | A-dimension | | B-dimension | | Molded PA6 LG |
|-------------|----------------|------|------------------|------|-------------|------|-------------|------|--------------|------|-------------|------|-------------|------|---------------|
| | mm | in | mm | in | mm | in | mm | in | mm | in | mm | in | mm | in | ✓ |
| Z19 | 117.3 | 4.62 | 117.0 | 4.61 | 20.0 | 0.79 | 40.0 | 1.57 | 58.0 | 2.28 | 58.7 | 2.31 | 64.5 | 2.54 | ✓ |
| Z21 | 129.2 | 5.09 | 130.0 | 5.12 | 20.0 | 0.79 | 40.0 | 1.57 | 58.0 | 2.28 | 65.0 | 2.56 | 70.5 | 2.78 | ✓ |
| Z23 | 141.2 | 5.56 | 142.0 | 5.59 | 20.0 | 0.79 | 40.0 | 1.57 | 58.0 | 2.28 | 71.2 | 2.80 | 76.5 | 3.01 | ✓ |
| Z25 | 153.2 | 6.03 | 155.0 | 6.10 | 20.0 | 0.79 | 40.0 | 1.57 | 58.0 | 2.28 | 77.4 | 3.05 | 82.5 | 3.25 | ✓ |

Molded sprocket



Cast iron sprocket



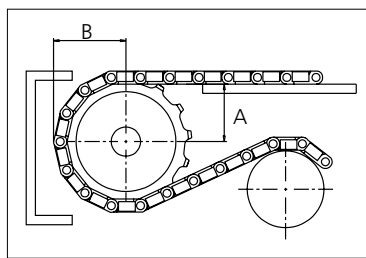
Machined sprocket



Two part sprocket



Non standard material and color:
See uni Material and Color Overview.



Please ensure that sufficient size shaft and keyway are chosen for corresponding load.

Other sprocket sizes are available upon request
Width of tooth: 31.8 mm/1.25 in
Width of sprocket: 42.3 mm/1.67 in
uni Retainer Rings: See uni Retainer Ring data sheet
uni Idler: See uni Idler data sheet



Expert advice, quality solutions and local service for all your belting needs
www.ammeraalbeltech.com

Ammeraal Beltech Modular A/S
Hjulgagervej 21
DK-7100 Vejle

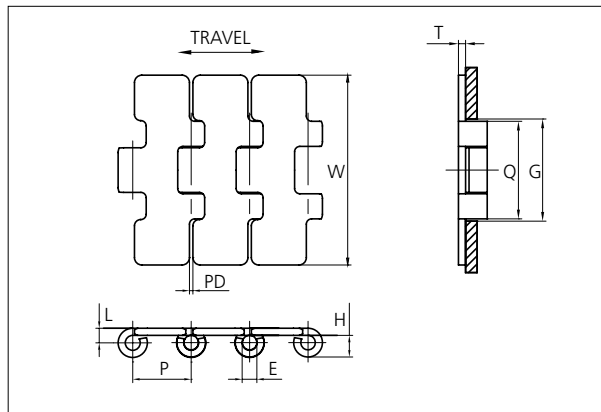
T +45 7572 3100
F +45 7572 3348
admin@unichains.com
www.unichains.com

This information is subject to alteration due to continuous development. Ammeraal Beltech will not be held liable for the incorrect use of the above stated information. This information replaces previous information. All activities performed and services rendered by Ammeraal Beltech are subject to general terms and conditions of sale and delivery, as applied by its operating companies.



Slat Top Stainless Steel Chain

Series **uni 512 PLUS⁺** Type **Single Hinge**



Slat Top Stainless Steel Chain
 Straight running chain
 Pitch: 25.4 mm (1.00 in)
 Backflex radius:
 100.0 mm (3.94 in)
 Standard shipping lengths:
 coils of 80 in,
 3.048 m (10.0 ft)

NON STANDARD

| E | | G | | H | | L | | P | | Q | | T | | PD | |
|-----|------|------|------|-----|------|-----|------|------|------|------|------|-----|------|-----|------|
| mm | in | mm | in | mm | in | mm | in | mm | in | mm | in | mm | in | mm | in |
| 6.4 | 0.25 | 44.5 | 1.75 | 9.7 | 0.38 | 6.5 | 0.26 | 25.4 | 1.00 | 42.3 | 1.67 | 3.1 | 0.12 | 1.6 | 0.06 |

STRAIGHT RUNNING

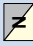
| | Width (W) | | Weight | | Permissible tensile strength N/lbf | Chain material | Pin material* | Surface | |
|-------------|-----------|------|--------|-------|------------------------------------|---------------------------------------------------------------------------|------------------------------------------------------|-----------|----------|
| | mm | in | kg/m | lb/ft | | | | Roughness | Hardness |
| K197 | 50.0 | 1.97 | 2.20 | 1.48 | 3000 / 674 | S420 35 (Special Work hardened Chrome-nickel ferritic Stainless Steel) | AISI 431 (Work hardened magnetic Stainless Steel) | < 0.3 µm | 30 HRC |
| K217 | 55.0 | 2.17 | 2.29 | 1.54 | | | | | |
| K236 | 60.0 | 2.36 | 2.41 | 1.62 | | | | | |
| K250 | 63.5 | 2.50 | 2.49 | 1.67 | | | | | |
| K283 | 72.0 | 2.83 | 2.65 | 1.78 | | | | | |
| K325 | 82.6 | 3.25 | 2.86 | 1.92 | | | | | |
| K350 | 88.9 | 3.50 | 3.01 | 2.02 | | | | | |
| K400 | 101.6 | 4.00 | 3.26 | 2.19 | | | | | |

* Chains with special hardened pin (HP) for additional wear resistance and higher corrosion strength are made to order.

PITCH 38.1 MM/1.50 IN

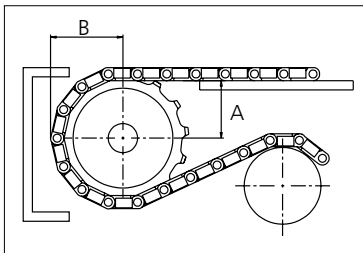


Sprocket

| No. of teeth | Pitch diameter | | Overall diameter | | Min. ϕ bore | | Max. ϕ bore | | Dimension A | | Dimension B | |  Machined PA6 |
|--------------|----------------|-------|------------------|-------|------------------|------|------------------|------|-------------|------|-------------|------|-----------------------------------------------------------------------------------------------------|
| | mm | in | mm | in | mm | in | mm | in | mm | in | mm | in | |
| Z19 | 154.3 | 6.08 | 154.3 | 6.07 | 20.0 | 0.80 | 90.0 | 3.54 | 69.61 | 2.74 | 83.66 | 3.29 | ✓ |
| Z21 | 170.4 | 6.71 | 170.4 | 6.71 | 20.0 | 0.80 | 110.0 | 4.33 | 77.76 | 3.06 | 91.71 | 3.61 | ✓ |
| Z23 | 186.5 | 7.34 | 186.5 | 7.34 | 20.0 | 0.80 | 120.0 | 4.72 | 85.90 | 3.38 | 99.77 | 3.93 | ✓ |
| Z25 | 202.7 | 7.98 | 202.7 | 7.98 | 20.0 | 0.80 | 140.0 | 5.51 | 94.03 | 3.70 | 107.83 | 4.25 | ✓ |
| Z27 | 218.8 | 8.61 | 218.8 | 8.61 | 20.0 | 0.80 | 160.0 | 6.30 | 102.16 | 4.02 | 115.90 | 4.56 | ✓ |
| Z29 | 235.0 | 9.25 | 234.9 | 9.25 | 20.0 | 0.80 | 170.0 | 6.69 | 110.27 | 4.34 | 123.96 | 4.88 | ✓ |
| Z31 | 251.1 | 9.88 | 251.1 | 9.89 | 20.0 | 0.80 | 190.0 | 7.48 | 118.39 | 4.66 | 132.06 | 5.20 | ✓ |
| Z33 | 267.2 | 10.52 | 267.2 | 10.52 | 20.0 | 0.80 | 200.0 | 7.87 | 126.50 | 4.98 | 140.11 | 5.52 | ✓ |

Non standard material and color:
See uni Material and Color Overview.

Machined sprocket



Please ensure that sufficient size shaft and keyway are chosen for corresponding load.

Other sprocket sizes are available upon request

Width of tooth: 42.3 mm/1.67 in

Width of sprocket: 42.3 mm/1.67 in

uni Retainer Rings: See uni Retainer Ring data sheet

uni Idler: See uni Idler data sheet

uni Guide Rings can be mounted on cast iron and machined sprockets. See uni Guide Rings data sheet

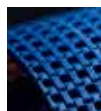
uni 512 Plus + Single Hinge/170523



Conveyor Belts



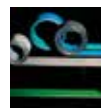
Seamless Belts



Modular Belts



Timing Belts



Transmission Belts



Fabrication & service

Expert advice, quality solutions and local service for all your belting needs
www.ammeraalbeltech.com

Ammeraal Beltech Modular A/S
Hjulmagervej 21
DK-7100 Vejle

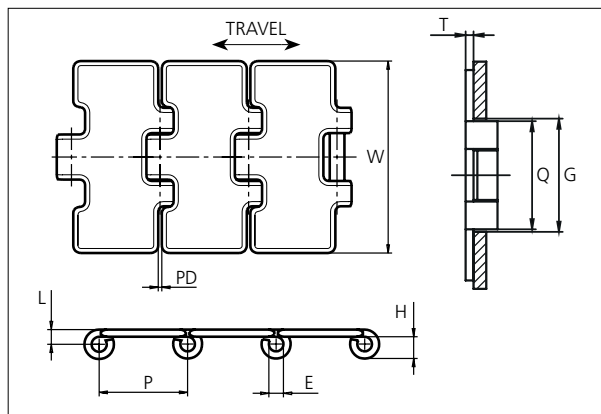
T +45 7572 3100
F +45 7572 3348
admin@unichains.com
www.unichains.com

This information is subject to alteration due to continuous development. Ammeraal Beltech will not be held liable for the incorrect use of the above stated information. This information replaces previous information. All activities performed and services rendered by Ammeraal Beltech are subject to general terms and conditions of sale and delivery, as applied by its operating companies.



Slat Top Stainless Steel Chain

Series **uni 815 PLUS⁺** Type **Single Hinge**



Slat Top Stainless Steel Chain

Straight running chain
Pitch: 38.1 mm (1.50 in)
Backflex radius:
150.0 mm (5.91 in)

Standard shipping lengths:
coils of 80 in,
3.048 m (10.0 ft)

| E | | G | | H | | L | | P | | Q | | T | | PD | |
|-----|------|------|------|-----|------|-----|------|------|------|------|------|-----|------|-----|------|
| mm | in | mm | in | mm | in | mm | in | mm | in | mm | in | mm | in | mm | in |
| 6.4 | 0.25 | 44.5 | 1.75 | 9.9 | 0.39 | 6.5 | 0.26 | 38.1 | 1.50 | 42.5 | 1.67 | 3.0 | 0.12 | 1.6 | 0.06 |

| | Width (W) | | Weight | | Permissible tensile strength N/lbf | Chain material | Pin material* | Surface | |
|-------------|-----------|------|--------|-------|------------------------------------|-----------------------------------------------------------------------------------|------------------------------------------------------------|-----------|----------|
| | mm | in | kg/m | lb/ft | | | | Roughness | Hardness |
| K225 | 57.1 | 2.25 | 2.18 | 1.46 | 3000 / 674 | S420 35 (Special Work hardened Crome-nickel ferritic Stainless Steel) | AISI 431 (Work hardened magnetic Stainless Steel) | < 0.3 μm | 30 HRC |
| K250 | 63.5 | 2.50 | 2.25 | 1.51 | | | | | |
| K263 | 66.7 | 2.63 | 2.33 | 1.57 | | | | | |
| K275 | 69.9 | 2.75 | 2.35 | 1.58 | | | | | |
| K300 | 76.2 | 3.00 | 2.50 | 1.68 | | | | | |
| K350 | 88.9 | 3.50 | 2.75 | 1.85 | | | | | |

* Chains with special hardened pin (HP) for additional wear resistance and higher corrosion strength are made to order.

NON STANDARD

STRAIGHT RUNNING

PITCH 38.1 MM/1.50 IN



Sprocket

| No. of teeth | Pitch diameter | | Overall diameter | | Min. ø bore | | Max. ø bore | | Hub diameter | | Dimension A | | Dimension B | | Molded PA6 LG | Molded Cast Iron | Machined PA6 N |
|--------------|----------------|------|------------------|------|-------------|-----|-------------|-----|--------------|------|-------------|------|-------------|------|---------------|------------------|----------------|
| | mm | in | mm | in | mm | in | mm | in | mm | in | mm | in | mm | in | | | |
| Z13 | 82.0 | 3.22 | 79 | 3.11 | 20 | 0.8 | 40 | 1.6 | n/a | n/a | 29.8 | 1.17 | 48.1 | 1.89 | | ✓ | |
| Z19 | 117.3 | 4.62 | 117 | 4.61 | 20 | 0.8 | 40 | 1.6 | 58 | 2.28 | 58.7 | 2.31 | 64.5 | 2.54 | ✓ | ✓ | |
| Z21 | 129.2 | 5.09 | 130 | 5.12 | 20 | 0.8 | 40 | 1.6 | 58 | 2.28 | 65 | 2.56 | 70.5 | 2.78 | ✓ | ✓ | |
| Z23 | 141.2 | 5.56 | 142 | 5.59 | 20 | 0.8 | 40 | 1.6 | 58 | 2.28 | 71.2 | 2.80 | 76.5 | 3.01 | ✓ | ✓ | |
| Z25 | 153.2 | 6.03 | 155 | 6.10 | 20 | 0.8 | 40 | 1.6 | 58 | 2.28 | 77.4 | 3.05 | 82.5 | 3.25 | ✓ | ✓ | |
| Z27 | 165.2 | 6.50 | 167 | 6.57 | 20 | 0.8 | 70 | 2.8 | n/a | n/a | 83.6 | 3.29 | 88.5 | 3.48 | | ✓ | ✓ |
| Z29 | 177.2 | 6.98 | 179 | 7.05 | 20 | 0.8 | 70 | 2.8 | n/a | n/a | 89.8 | 3.54 | 94.6 | 3.72 | | ✓ | ✓ |
| Z31 | 189.3 | 7.45 | 192 | 7.56 | 20 | 0.8 | 70 | 2.8 | n/a | n/a | 95.9 | 3.78 | 100.6 | 3.96 | | ✓ | ✓ |

Two part sprocket

| No. of teeth | Pitch diameter | | Overall diameter | | Min. ø bore | | Max. ø bore | | Hub diameter | | Dimension A | | Dimension B | | Molded PA6 LG |
|--------------|----------------|------|------------------|------|-------------|------|-------------|------|--------------|------|-------------|------|-------------|------|---------------|
| | mm | in | mm | in | mm | in | mm | in | mm | in | mm | in | mm | in | |
| Z19 | 117.3 | 4.62 | 117.0 | 4.61 | 20.0 | 0.79 | 40.0 | 1.57 | 58.0 | 2.28 | 58.7 | 2.31 | 64.5 | 2.54 | ✓ |
| Z21 | 129.2 | 5.09 | 130.0 | 5.12 | 20.0 | 0.79 | 40.0 | 1.57 | 58.0 | 2.28 | 65.0 | 2.56 | 70.5 | 2.78 | ✓ |
| Z23 | 141.2 | 5.56 | 142.0 | 5.59 | 20.0 | 0.79 | 40.0 | 1.57 | 58.0 | 2.28 | 71.2 | 2.80 | 76.5 | 3.01 | ✓ |
| Z25 | 153.2 | 6.03 | 155.0 | 6.10 | 20.0 | 0.79 | 40.0 | 1.57 | 58.0 | 2.28 | 77.4 | 3.05 | 82.5 | 3.25 | ✓ |

Molded sprocket



Cast iron sprocket



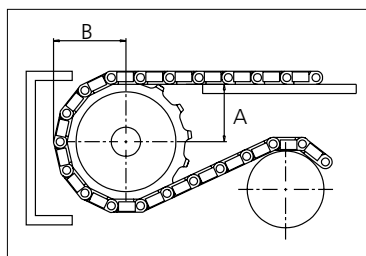
Machined sprocket



Two part sprocket



Non standard material and color:
See uni Material and Color Overview.



Please ensure that sufficient size shaft and keyway are chosen for corresponding load.

Other sprocket sizes are available upon request

Width of tooth: 42.3 mm/1.67 in

Width of sprocket: 42.3 mm/1.67 in

uni Retainer Rings: See uni Retainer Ring data sheet

uni Idler: See uni Idler data sheet

uni Guide Rings can be mounted on cast iron and machined sprockets. See uni Guide Rings data sheet



Conveyor Belts



Seamless Belts



Modular Belts



Timing Belts



Transmission Belts



Fabrication & service

Expert advice, quality solutions and local service for all your belting needs
www.ammeraalbeltech.com

Ammeraal Beltech Modular A/S
Hjulmagervej 21
DK-7100 Vejle

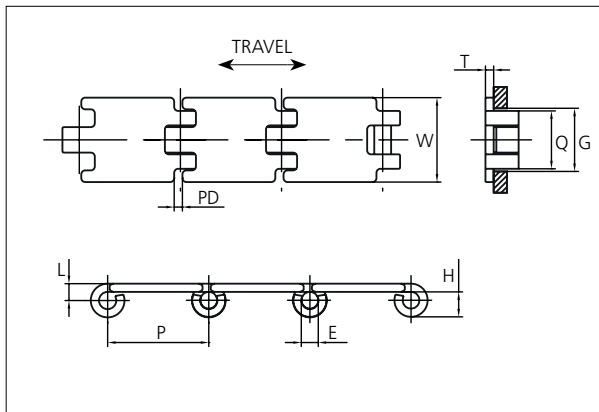
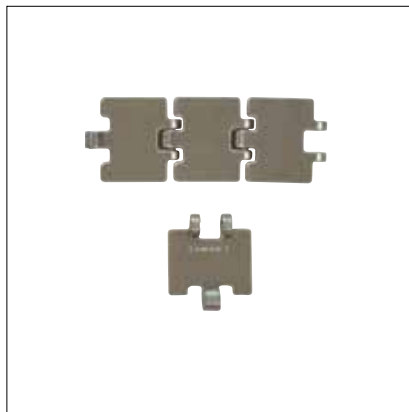
T +45 7572 3100
F +45 7572 3348
admin@unichains.com
www.unichains.com

This information is subject to alteration due to continuous development. Ammeraal Beltech will not be held liable for the incorrect use of the above stated information. This information replaces previous information. All activities performed and services rendered by Ammeraal Beltech are subject to general terms and conditions of sale and delivery, as applied by its operating companies.



Slat Top Stainless Steel Chain

Series **uni 815 PLUS⁺** Type **Single Hinge Narrow**



Slat Top Stainless Steel Chain

Straight running chain
Pitch: 38.1 mm (1.50 in)
Backflex radius:
150.0 mm (5.91 in)

Standard shipping lengths:
coils of 80 in,
3.048 m (10.0 ft)

| E | | G | | H | | L | | P | | Q | | T | | PD | |
|-----|------|------|------|-----|------|-----|------|------|------|------|------|-----|------|-----|------|
| mm | in | mm | in | mm | in | mm | in | mm | in | mm | in | mm | in | mm | in |
| 6.4 | 0.25 | 23.8 | 0.94 | 9.9 | 0.39 | 6.5 | 0.26 | 38.1 | 1.50 | 21.8 | 0.86 | 3.0 | 0.12 | 2.8 | 0.11 |

| | Width (W) | | Weight | | Permissible tensile strength N/lbf | Chain material | Pin material* | Surface | |
|-------------|-----------|------|--------|-------|------------------------------------|---------------------------------------------------------------------------|------------------------------------------------------|-----------|----------|
| | mm | in | kg/m | lb/ft | | | | Roughness | Hardness |
| K125 | 31.8 | 1.25 | 1.10 | 0.74 | 1500 / 337 | S420 35 (Special Work hardened Chrome-nickel ferritic Stainless Steel) | AISI 431 (Work hardened magnetic Stainless Steel) | < 0.3 µm | 30 HRC |
| K175 | 44.5 | 1.75 | 1.30 | 0.87 | | | | | |

* Chains with special hardened pin (HP) for additional wear resistance and higher corrosion strength are made to order.


NON STANDARD

STRAIGHT RUNNING

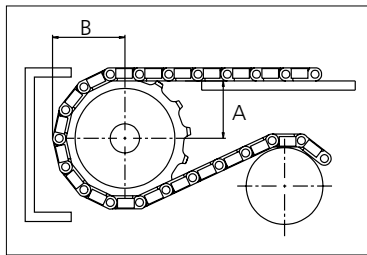
PITCH 38.1 MM/1.50 IN



Sprocket

| No. of teeth | Pitch diameter | | Overall diameter | | Min. ϕ bore | | Max. ϕ bore | | Dimension A | | Dimension B | |  Machined PA6 |
|--------------|----------------|------|------------------|------|------------------|-----|------------------|-----|-------------|------|-------------|------|-----------------------------------------------------------------------------------------------------|
| | mm | in | mm | in | mm | in | mm | in | mm | in | mm | in | |
| Z13 | 82.0 | 3.22 | 79.0 | 3.11 | 20 | 0.8 | 40 | 1.6 | 29.8 | 1.17 | 48.1 | 1.89 | ✓ |
| Z19 | 117.3 | 4.62 | 117.0 | 4.61 | 20 | 0.8 | 40 | 1.6 | 58.7 | 2.31 | 64.5 | 2.54 | ✓ |
| Z21 | 129.2 | 5.09 | 130.0 | 5.12 | 20 | 0.8 | 40 | 1.6 | 65 | 2.56 | 70.5 | 2.78 | ✓ |
| Z23 | 141.2 | 5.56 | 142.0 | 5.59 | 20 | 0.8 | 40 | 1.6 | 71.2 | 2.80 | 76.5 | 3.01 | ✓ |
| Z25 | 153.2 | 6.03 | 155.0 | 6.10 | 20 | 0.8 | 40 | 1.6 | 77.4 | 3.05 | 82.5 | 3.25 | ✓ |
| Z27 | 165.2 | 6.50 | 167.0 | 6.57 | 20 | 0.8 | 70 | 2.8 | 83.6 | 3.29 | 88.5 | 3.48 | ✓ |
| Z29 | 177.2 | 6.98 | 179.0 | 7.05 | 20 | 0.8 | 70 | 2.8 | 89.8 | 3.54 | 94.6 | 3.72 | ✓ |
| Z31 | 189.3 | 7.45 | 192.0 | 7.56 | 20 | 0.8 | 70 | 2.8 | 95.9 | 3.78 | 100.6 | 3.96 | ✓ |

Machined sprocket



Please ensure that sufficient size shaft and keyway are chosen for corresponding load.

Non standard material and color:
See uni Material and Color Overview.

Other sprocket sizes are available upon request

Width of tooth: 21.8 mm/0.86 in

Width of sprocket: 21.8 mm/0.86 in

uni Retainer Rings: See uni Retainer Ring data sheet

uni Idler: See uni Idler data sheet

uni Guide Rings can be mounted on cast iron and machined sprockets. See uni Guide Rings data sheet

uni 815 Plus + Single Hinge Narrow/160624



Conveyor Belts



Seamless Belts



Modular Belts



Timing Belts



Transmission Belts



Fabrication & service

Expert advice, quality solutions and local service for all your belting needs
www.ammeraalbeltech.com

Ammeraal Beltech Modular A/S
Hjulmagervej 21
DK-7100 Vejle

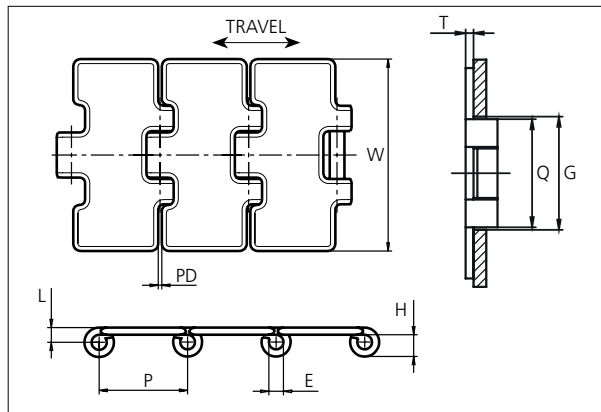
T +45 7572 3100
F +45 7572 3348
admin@unichains.com
www.unichains.com

This information is subject to alteration due to continuous development. Ammeraal Beltech will not be held liable for the incorrect use of the above stated information. This information replaces previous information. All activities performed and services rendered by Ammeraal Beltech are subject to general terms and conditions of sale and delivery, as applied by its operating companies.



Slat Top Stainless Steel Chain

Series **uni 815 PLUS⁺** Type **Single Hinge Optical**



Slat Top Stainless Steel Chain
 Straight running chain
 Pitch: 38.1 mm (1.50 in)
 Backflex radius:
 150.0 mm (5.91 in)
 Standard shipping lengths:
 coils of 80 in
 = 3.048 m (10.0 ft)

NON STANDARD

| E | | G | | H | | L | | P | | Q | | T | | PD | |
|-----|------|------|------|-----|------|-----|------|------|------|------|------|-----|------|-----|------|
| mm | in | mm | in | mm | in | mm | in | mm | in | mm | in | mm | in | mm | in |
| 6.4 | 0.25 | 44.5 | 1.75 | 9.9 | 0.39 | 6.5 | 0.26 | 38.1 | 1.50 | 42.5 | 1.67 | 3.0 | 0.12 | 1.6 | 0.06 |

STRAIGHT RUNNING

| | Width (W) | | Weight | | Permissible tensile strength N/lbf | Chain material | Pin material* | Surface | |
|-------------|-----------|------|--------|-------|------------------------------------|---------------------------------------------------------------------------|------------------------------------------------------|-----------|----------|
| | mm | in | kg/m | lb/ft | | | | Roughness | Hardness |
| K325 | 82.6 | 3.25 | 2.65 | 1.78 | 3000 / 674 | S420 35 (Special Work hardened Chrome-nickel ferritic Stainless Steel) | AISI 431 (Work hardened magnetic Stainless Steel) | < 0.18 µm | 30 HRC |
| K330 | 83.8 | 3.30 | 2.70 | 1.81 | | | | | |

PITCH 38.1 MM/1.50 IN

* Chains with special hardened pin (HP) for additional wear resistance and higher corrosion strength are made to order.



Sprocket

| No. of teeth | Pitch diameter | | Overall diameter | | Min. ø bore | | Max. ø bore | | Hub diameter | | Dimension A | | Dimension B | | Molded PA6 LG | Molded Cast Iron | Machined PA6 N |
|--------------|----------------|------|------------------|------|-------------|-----|-------------|-----|--------------|------|-------------|------|-------------|------|---------------|------------------|----------------|
| | mm | in | mm | in | mm | in | mm | in | mm | in | mm | in | mm | in | | | |
| Z13 | 82.0 | 3.22 | 79.0 | 3.11 | 20 | 0.8 | 40 | 1.6 | n/a | n/a | 29.8 | 1.17 | 48.1 | 1.89 | | ✓ | |
| Z19 | 117.3 | 4.62 | 117.0 | 4.61 | 20 | 0.8 | 40 | 1.6 | 58 | 2.28 | 58.7 | 2.31 | 64.5 | 2.54 | ✓ | | |
| Z21 | 129.2 | 5.09 | 130.0 | 5.12 | 20 | 0.8 | 40 | 1.6 | 58 | 2.28 | 65 | 2.56 | 70.5 | 2.78 | ✓ | | |
| Z23 | 141.2 | 5.56 | 142.0 | 5.59 | 20 | 0.8 | 40 | 1.6 | 58 | 2.28 | 71.2 | 2.80 | 76.5 | 3.01 | ✓ | | |
| Z25 | 153.2 | 6.03 | 155.0 | 6.10 | 20 | 0.8 | 40 | 1.6 | 58 | 2.28 | 77.4 | 3.05 | 82.5 | 3.25 | ✓ | | |
| Z27 | 165.2 | 6.50 | 167.0 | 6.57 | 20 | 0.8 | 70 | 2.8 | n/a | n/a | 83.6 | 3.29 | 88.5 | 3.48 | | ✓ | ✓ |
| Z29 | 177.2 | 6.98 | 179.0 | 7.05 | 20 | 0.8 | 70 | 2.8 | n/a | n/a | 89.8 | 3.54 | 94.6 | 3.72 | | ✓ | ✓ |
| Z31 | 189.3 | 7.45 | 192.0 | 7.56 | 20 | 0.8 | 70 | 2.8 | n/a | n/a | 95.9 | 3.78 | 100.6 | 3.96 | | ✓ | ✓ |

Two part sprocket

| No. of teeth | Pitch diameter | | Overall diameter | | Min. ø bore | | Max. ø bore | | Hub diameter | | Dimension A | | Dimension B | | Molded PA6 LG |
|--------------|----------------|------|------------------|------|-------------|------|-------------|------|--------------|------|-------------|------|-------------|------|---------------|
| | mm | in | mm | in | mm | in | mm | in | mm | in | mm | in | mm | in | |
| Z19 | 117.3 | 4.62 | 117.0 | 4.61 | 20.0 | 0.79 | 40.0 | 1.57 | 58.0 | 2.28 | 58.7 | 2.31 | 64.5 | 2.54 | ✓ |
| Z21 | 129.2 | 5.09 | 130.0 | 5.12 | 20.0 | 0.79 | 40.0 | 1.57 | 58.0 | 2.28 | 65.0 | 2.56 | 70.5 | 2.78 | ✓ |
| Z23 | 141.2 | 5.56 | 142.0 | 5.59 | 20.0 | 0.79 | 40.0 | 1.57 | 58.0 | 2.28 | 71.2 | 2.80 | 76.5 | 3.01 | ✓ |
| Z25 | 153.2 | 6.03 | 155.0 | 6.10 | 20.0 | 0.79 | 40.0 | 1.57 | 58.0 | 2.28 | 77.4 | 3.05 | 82.5 | 3.25 | ✓ |

Molded sprocket



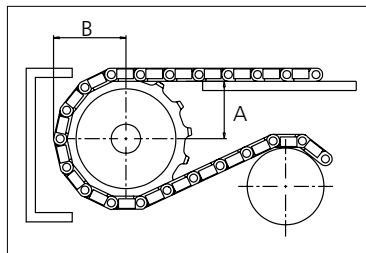
Cast iron sprocket



Machined sprocket



Two part sprocket



Please ensure that sufficient size shaft and keyway are chosen for corresponding load.

Non standard material and color:
See uni Material and Color Overview.

Other sprocket sizes are available upon request

Width of tooth: 42.3 mm/1.67 in

Width of sprocket: 42.3 mm/1.67 in

uni Retainer Rings: See uni Retainer Ring data sheet

uni Idler: See uni Idler data sheet

uni Guide Rings can be mounted on cast iron and machined sprockets. See uni Guide Rings data sheet



Conveyor Belts



Seamless Belts



Modular Belts



Timing Belts



Transmission Belts



Fabrication & service

Expert advice, quality solutions and local service for all your belting needs
www.ammeraalbeltech.com

Ammeraal Beltech Modular A/S
Hjulmagervej 21
DK-7100 Vejle

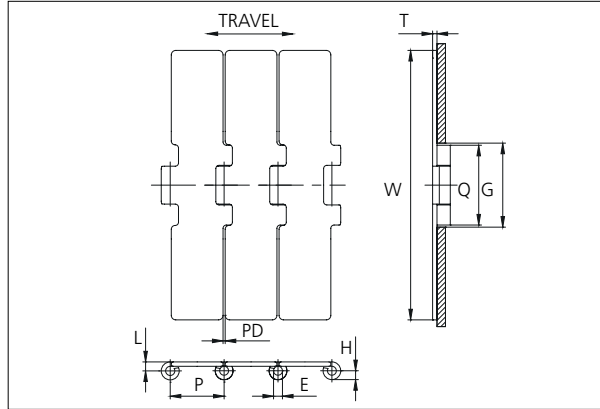
T +45 7572 3100
F +45 7572 3348
admin@unichains.com
www.unichains.com

This information is subject to alteration due to continuous development. Ammeraal Beltech will not be held liable for the incorrect use of the above stated information. This information replaces previous information. All activities performed and services rendered by Ammeraal Beltech are subject to general terms and conditions of sale and delivery, as applied by its operating companies.



Slat Top Stainless Steel Chain

Series **uni 8127 PLUS⁺** Type **Single Hinge Wide**



Slat Top Stainless Steel Chain

Straight running chain
Pitch: 38.1 mm (1.50 in)
Backflex radius:
150.0 mm (5.91 in)

Standard shipping lengths:
coils of 80 in,
3.048 m (10.0 ft)

NON STANDARD

| E | | G | | H | | L | | P | | Q | | T | | PD | |
|-----|------|------|------|-----|------|-----|------|------|------|------|------|-----|------|-----|------|
| mm | in | mm | in | mm | in | mm | in | mm | in | mm | in | mm | in | mm | in |
| 6.4 | 0.25 | 60.0 | 2.36 | 9.7 | 0.38 | 6.5 | 0.26 | 25.4 | 1.00 | 57.0 | 2.24 | 3.0 | 0.12 | 1.6 | 0.06 |

STRAIGHT RUNNING


| | Width (W) | | Weight | | Permissible tensile strength N/lbf | Chain material | Pin material* | Surface | |
|-------------|-----------|------|--------|-------|------------------------------------|---------------------------------------------------------------------------|------------------------------------------------------|-----------|----------|
| | mm | in | kg/m | lb/ft | | | | Roughness | Hardness |
| K750 | 190.5 | 7.50 | 5.1 | 3.43 | 3000 / 674 | S420 35 (Special Work hardened Chrome-nickel ferritic Stainless Steel) | AISI 431 (Work hardened magnetic Stainless Steel) | < 0.3 µm | 30 HRC |

PITCH 38.1 MM/1.50 IN

* Chains with special hardened pin (HP) for additional wear resistance and higher corrosion strength are made to order.

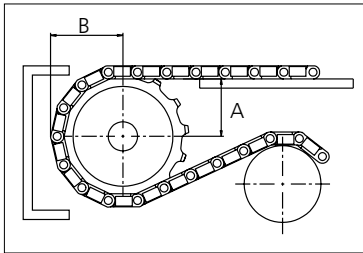


Sprocket

| No. of teeth | Pitch diameter | | Overall diameter | | Min. ϕ bore | | Max. ϕ bore | | Dimension A | | Dimension B | | Machined  PA6 |
|--------------|----------------|------|------------------|------|------------------|-----|------------------|-----|-------------|------|-------------|------|--------------------------------------------------------------------------------------------------|
| | mm | in | mm | in | mm | in | mm | in | mm | in | mm | in | |
| Z13 | 82.0 | 3.22 | 79.0 | 3.11 | 20 | 0.8 | 40 | 1.6 | 29.8 | 1.17 | 48.1 | 1.89 | |
| Z19 | 117.3 | 4.62 | 117.0 | 4.61 | 20 | 0.8 | 40 | 1.6 | 58.7 | 2.31 | 64.5 | 2.54 | |
| Z21 | 129.2 | 5.09 | 130.0 | 5.12 | 20 | 0.8 | 40 | 1.6 | 65.0 | 2.56 | 70.5 | 2.78 | |
| Z23 | 141.2 | 5.56 | 142.0 | 5.59 | 20 | 0.8 | 40 | 1.6 | 71.2 | 2.80 | 76.5 | 3.01 | |
| Z25 | 153.2 | 6.03 | 155.0 | 6.10 | 20 | 0.8 | 40 | 1.6 | 77.4 | 3.05 | 82.5 | 3.25 | |
| Z27 | 165.2 | 6.50 | 167.0 | 6.57 | 20 | 0.8 | 70 | 2.8 | 83.6 | 3.29 | 88.5 | 3.48 | ✓ |
| Z29 | 177.2 | 6.98 | 179.0 | 7.05 | 20 | 0.8 | 70 | 2.8 | 89.8 | 3.54 | 94.6 | 3.72 | ✓ |
| Z31 | 189.3 | 7.45 | 192.0 | 7.56 | 20 | 0.8 | 70 | 2.8 | 95.9 | 3.78 | 100.6 | 3.96 | ✓ |

Non standard material and color:
See uni Material and Color Overview.

Machined sprocket



Please ensure that sufficient size shaft and keyway are chosen for corresponding load.

Other sprocket sizes are available upon request

Width of tooth: 57.0 mm/12.24 in

Width of sprocket: 57.0 mm/12.24 in

uni Retainer Rings: See uni Retainer Ring data sheet

uni Idler: See uni Idler data sheet

uni Guide Rings can be mounted on cast iron and machined sprockets. See uni Guide Rings data sheet

uni 8127 Plus + Single Hinge Wide/160624



Conveyor Belts



Seamless Belts



Modular Belts



Timing Belts



Transmission Belts



Fabrication & service

Expert advice, quality solutions and local service for all your belting needs
www.ammeraalbeltech.com

Ammeraal Beltech Modular A/S
Hjulmagervej 21
DK-7100 Vejle

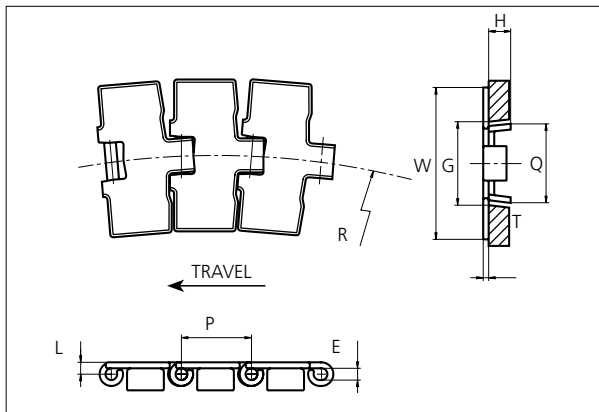
T +45 7572 3100
F +45 7572 3348
admin@unichains.com
www.unichains.com

This information is subject to alteration due to continuous development. Ammeraal Beltech will not be held liable for the incorrect use of the above stated information. This information replaces previous information. All activities performed and services rendered by Ammeraal Beltech are subject to general terms and conditions of sale and delivery, as applied by its operating companies.



Slat Top Stainless Steel Chain

Series **uni 8811 PLUS+** Type **Bevel**



Slat Top Stainless Steel Chain
 Side flexing chain
 Pitch: 38.1 mm (1.50 in)
 Backflex radius:
 76.2 mm (3.00 in)
 Standard shipping lengths:
 coils of 80 in
 = 3.048 m (10.0 ft)

NON STANDARD

| E | | G | | H | | J | | K | | L | | P | | Q | | T | |
|-----|------|------|------|------|------|------|------|------|------|-----|------|------|------|------|------|-----|------|
| mm | in | mm | in | mm | in | mm | in | mm | in | mm | in | mm | in | mm | in | mm | in |
| 6.4 | 0.25 | 44.5 | 1.75 | 16.3 | 0.64 | 56.2 | 2.21 | 12.7 | 0.50 | 6.5 | 0.26 | 38.1 | 1.50 | 43.0 | 1.69 | 3.0 | 0.12 |

SIDE FLEXING

| | Width (W) | | Min. radius (R) | | Weight | | Permissible tensile strength N/lbf | Chain material | Pin material* | Surface | |
|-------------|-----------|------|-----------------|-------|--------|-------|------------------------------------|--------------------------------------------------------------------------|------------------------------------------------------|-----------|----------|
| | mm | in | mm | in | kg/m | lb/ft | | | | Roughness | Hardness |
| K325 | 82.6 | 3.25 | 500 | 19.69 | 3.10 | 2.08 | 3000 / 674 | S420 35 (Special Work hardened Crome-nickel ferritic Stainless Steel) | AISI 431 (Work hardened magnetic Stainless Steel) | < 0.3 µm | 30 HRC |
| K450 | 114.3 | 4.50 | 610 | 24.02 | 3.80 | 2.55 | | | | | |
| K750 | 190.5 | 7.50 | 610 | 24.02 | 5.50 | 3.70 | | | | | |

* Chains with special hardened pin (HP) for additional wear resistance and higher corrosion strength are made to order.

PITCH 38.1 MM/1.50 IN



Sprocket

| No of teeth | Pitch diameter | | Overall-diameter | | Min. ø bore | | Max. ø bore | | Hub-diameter | | Dimension A | | Dimension B | | Molded PA6 LG | Molded Cast Iron | Machined PA6 |
|-------------|----------------|------|------------------|------|-------------|------|-------------|------|--------------|------|-------------|------|-------------|------|---------------|------------------|--------------|
| | mm | in | mm | in | mm | in | mm | in | mm | in | mm | in | mm | in | | | |
| Z19 | 117.3 | 4.62 | 117.0 | 4.61 | 20.0 | 0.79 | 40.0 | 1.57 | 58.0 | 2.28 | 58.7 | 2.31 | 64.5 | 2.54 | ✓ | ✓ | |
| Z21 | 129.2 | 5.09 | 130.0 | 5.12 | 20.0 | 0.79 | 40.0 | 1.57 | 58.0 | 2.28 | 65.0 | 2.56 | 70.5 | 2.78 | ✓ | ✓ | |
| Z23 | 141.2 | 5.56 | 142.0 | 5.59 | 20.0 | 0.79 | 40.0 | 1.57 | 58.0 | 2.28 | 71.2 | 2.80 | 76.5 | 3.01 | ✓ | ✓ | |
| Z25 | 153.2 | 6.03 | 155.0 | 6.10 | 20.0 | 0.79 | 40.0 | 1.57 | 58.0 | 2.28 | 77.4 | 3.05 | 82.5 | 3.25 | ✓ | ✓ | |
| Z27 | 165.2 | 6.50 | 167.0 | 6.57 | 20.0 | 0.79 | 70.0 | 2.76 | n/a | n/a | 83.6 | 3.29 | 88.5 | 3.48 | | ✓ | ✓ |
| Z29 | 177.2 | 6.98 | 179.0 | 7.05 | 20.0 | 0.79 | 70.0 | 2.76 | n/a | n/a | 89.8 | 3.54 | 94.6 | 3.72 | | ✓ | ✓ |
| Z31 | 189.3 | 7.45 | 192.0 | 7.56 | 20.0 | 0.79 | 70.0 | 2.76 | n/a | n/a | 95.9 | 3.78 | 100.6 | 3.96 | | ✓ | ✓ |

Two part sprocket

| No of teeth | Pitch diameter | | Overall-diameter | | Min. ø bore | | Max. ø bore | | Hub-diameter | | Dimension A | | Dimension B | | Molded PA6 LG |
|-------------|----------------|------|------------------|------|-------------|------|-------------|------|--------------|------|-------------|------|-------------|------|---------------|
| | mm | in | mm | in | mm | in | mm | in | mm | in | mm | in | mm | in | |
| Z19 | 117.3 | 4.62 | 117.0 | 4.61 | 20.0 | 0.79 | 40.0 | 1.57 | 58.0 | 2.28 | 58.7 | 2.31 | 64.5 | 2.54 | ✓ |
| Z21 | 129.2 | 5.09 | 130.0 | 5.12 | 20.0 | 0.79 | 40.0 | 1.57 | 58.0 | 2.28 | 65.0 | 2.56 | 70.5 | 2.78 | ✓ |
| Z23 | 141.2 | 5.56 | 142.0 | 5.59 | 20.0 | 0.79 | 40.0 | 1.57 | 58.0 | 2.28 | 71.2 | 2.80 | 76.5 | 3.01 | ✓ |
| Z25 | 153.2 | 6.03 | 155.0 | 6.10 | 20.0 | 0.79 | 40.0 | 1.57 | 58.0 | 2.28 | 77.4 | 3.05 | 82.5 | 3.25 | ✓ |

Molded sprocket



Cast iron sprocket



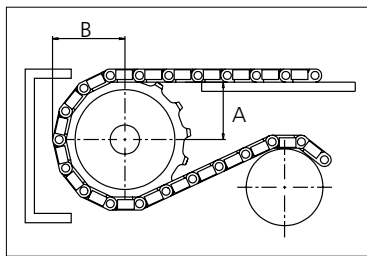
Machined sprocket



Two part sprocket



Non standard material and color:
See uni Material and Color Overview.



Please ensure that sufficient size shaft and keyway are chosen for corresponding load.

Other sprocket sizes are available upon request
Width of tooth: 31.8 mm/1.25 in
Width of sprocket: 42.3 mm/1.67 in
uni Retainer Rings: See uni Retainer Ring data sheet
uni Idler: See uni Idler data sheet

uni 8811 Plus+ Bevel_MTO/160624



Conveyor Belts



Seamless Belts



Modular Belts



Timing Belts



Transmission Belts



Fabrication & service

Expert advice, quality solutions and local service for all your belting needs
www.ammeraalbeltech.com

Ammeraal Beltech Modular A/S
Hjulmagervej 21
DK-7100 Vejle

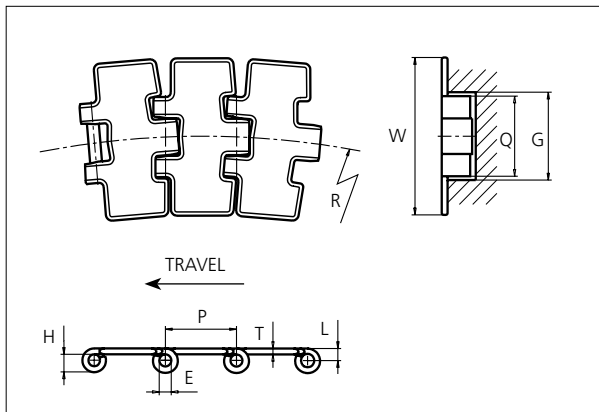
T +45 7572 3100
F +45 7572 3348
admin@unichains.com
www.unichains.com

This information is subject to alteration due to continuous development. Ammeraal Beltech will not be held liable for the incorrect use of the above stated information. This information replaces previous information. All activities performed and services rendered by Ammeraal Beltech are subject to general terms and conditions of sale and delivery, as applied by its operating companies.



Slat Top Stainless Steel Chain

Series **uni 8811 PLUS⁺** Type **Magnetic**



Slat Top Stainless Steel Chain

Side flexing chain
Pitch: 38.1 mm (1.50 in)
Backflex radius:
76.2 mm (3.00 in)

Standard shipping lengths:
coils of 80 in
= 3.048 m (10.0 ft)

| E | | G | | H | | L | | P | | Q | | T | |
|-----|------|------|------|-----|------|-----|------|------|------|------|------|-----|------|
| mm | in | mm | in | mm | in | mm | in | mm | in | mm | in | mm | in |
| 6.4 | 0.25 | 44.0 | 1.73 | 9.9 | 0.39 | 6.5 | 0.26 | 38.1 | 1.50 | 42.2 | 1.66 | 3.0 | 0.12 |

| | Width (W) | | Min. radius (R) | | Weight | | Permissible tensile strength N/lbf | Chain material | Pin material* | Surface | |
|-------------|-----------|------|-----------------|-------|--------|-------|------------------------------------|-----------------------------------------------------------------------------------|------------------------------------------------------------|-----------|----------|
| | mm | in | mm | in | kg/m | lb/ft | | | | Roughness | Hardness |
| K450 | 114.3 | 4.50 | 500 | 19.69 | 3.20 | 2.15 | 3000 / 674 | S420 35 (Special Work hardened Crome-nickel ferritic Stainless Steel) | AISI 431 (Work hardened magnetic Stainless Steel) | < 0.3 µm | 30 HRC |
| K750 | 190.5 | 7.50 | | | 4.90 | 3.29 | | | | | |

* Chains with special hardened pin (HP) for additional wear resistance and higher corrosion strength are made to order.

NON STANDARD

SIDE FLEXING

PITCH 38.1 MM/1.50 IN



Sprocket

| No of teeth | Pitch diameter | | Overall-diameter | | Min. ø bore | | Max. ø bore | | Hub-diameter | | Dimension A | | Dimension B | | Molded PA6 LG | Molded Cast Iron | Machined PA6 |
|-------------|----------------|------|------------------|------|-------------|------|-------------|------|--------------|------|-------------|------|-------------|------|---------------|------------------|--------------|
| | mm | in | mm | in | mm | in | mm | in | mm | in | mm | in | mm | in | | | |
| Z19 | 117.3 | 4.62 | 117.0 | 4.61 | 20.0 | 0.79 | 40.0 | 1.57 | 58.0 | 2.28 | 58.7 | 2.31 | 64.5 | 2.54 | ✓ | ✓ | |
| Z21 | 129.2 | 5.09 | 130.0 | 5.12 | 20.0 | 0.79 | 40.0 | 1.57 | 58.0 | 2.28 | 65.0 | 2.56 | 70.5 | 2.78 | ✓ | ✓ | |
| Z23 | 141.2 | 5.56 | 142.0 | 5.59 | 20.0 | 0.79 | 40.0 | 1.57 | 58.0 | 2.28 | 71.2 | 2.80 | 76.5 | 3.01 | ✓ | ✓ | |
| Z25 | 153.2 | 6.03 | 155.0 | 6.10 | 20.0 | 0.79 | 40.0 | 1.57 | 58.0 | 2.28 | 77.4 | 3.05 | 82.5 | 3.25 | ✓ | ✓ | |
| Z27 | 165.2 | 6.50 | 167.0 | 6.57 | 20.0 | 0.79 | 70.0 | 2.76 | n/a | n/a | 83.6 | 3.29 | 88.5 | 3.48 | | ✓ | ✓ |
| Z29 | 177.2 | 6.98 | 179.0 | 7.05 | 20.0 | 0.79 | 70.0 | 2.76 | n/a | n/a | 89.8 | 3.54 | 94.6 | 3.72 | | ✓ | ✓ |
| Z31 | 189.3 | 7.45 | 192.0 | 7.56 | 20.0 | 0.79 | 70.0 | 2.76 | n/a | n/a | 95.9 | 3.78 | 100.6 | 3.96 | | ✓ | ✓ |

Two part sprocket

| No of teeth | Pitch diameter | | Overall-diameter | | Min. ø bore | | Max. ø bore | | Hub-diameter | | Dimension A | | Dimension B | | Molded PA6 LG |
|-------------|----------------|------|------------------|------|-------------|------|-------------|------|--------------|------|-------------|------|-------------|------|---------------|
| | mm | in | mm | in | mm | in | mm | in | mm | in | mm | in | mm | in | |
| Z19 | 117.3 | 4.62 | 117.0 | 4.61 | 20.0 | 0.79 | 40.0 | 1.57 | 58.0 | 2.28 | 58.7 | 2.31 | 64.5 | 2.54 | ✓ |
| Z21 | 129.2 | 5.09 | 130.0 | 5.12 | 20.0 | 0.79 | 40.0 | 1.57 | 58.0 | 2.28 | 65.0 | 2.56 | 70.5 | 2.78 | ✓ |
| Z23 | 141.2 | 5.56 | 142.0 | 5.59 | 20.0 | 0.79 | 40.0 | 1.57 | 58.0 | 2.28 | 71.2 | 2.80 | 76.5 | 3.01 | ✓ |
| Z25 | 153.2 | 6.03 | 155.0 | 6.10 | 20.0 | 0.79 | 40.0 | 1.57 | 58.0 | 2.28 | 77.4 | 3.05 | 82.5 | 3.25 | ✓ |

Molded sprocket



Cast iron sprocket



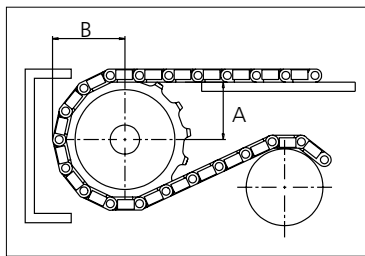
Machined sprocket



Two part sprocket



Non standard material and color:
See uni Material and Color Overview.



Please ensure that sufficient size shaft and keyway are chosen for corresponding load.

Other sprocket sizes are available upon request

Width of tooth: 31.8 mm/1.25 in

Width of sprocket: 42.3 mm/1.67 in

uni Retainer Rings: See uni Retainer Ring data sheet

uni Idler: See uni Idler data sheet

uni Guide Rings can be mounted on cast iron and machined sprockets. See uni Guide Rings data sheet



Conveyor Belts



Seamless Belts



Modular Belts



Timing Belts



Transmission Belts



Fabrication & service

Expert advice, quality solutions and local service for all your belting needs
www.ammeraalbeltech.com

Ammeraal Beltech Modular A/S
Hjulmagervej 21
DK-7100 Vejle

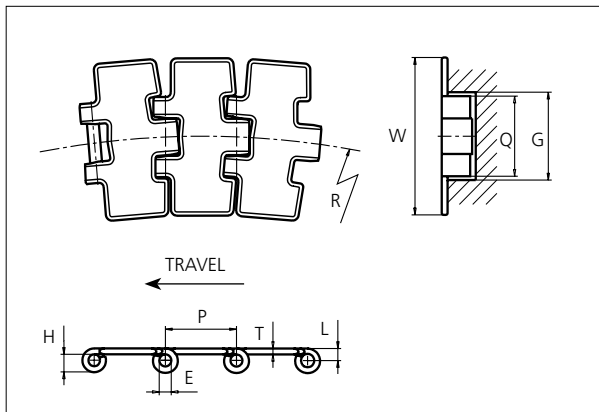
T +45 7572 3100
F +45 7572 3348
admin@unichains.com
www.unichains.com

This information is subject to alteration due to continuous development. Ammeraal Beltech will not be held liable for the incorrect use of the above stated information. This information replaces previous information. All activities performed and services rendered by Ammeraal Beltech are subject to general terms and conditions of sale and delivery, as applied by its operating companies.



Slat Top Stainless Steel Chain

Series **uni 8811 PLUS⁺** Type **Magnetic Optical**



Slat Top Stainless Steel Chain

Side flexing chain
Pitch: 38.1 mm (1.50 in)
Backflex radius:
76.2 mm (3.00 in)

Standard shipping lengths:
coils of 80 in
= 3.048 m (10.0 ft)

NON STANDARD

| E | | G | | H | | L | | P | | Q | | T | |
|-----|------|------|------|-----|------|-----|------|------|------|------|------|-----|------|
| mm | in | mm | in | mm | in | mm | in | mm | in | mm | in | mm | in |
| 6.4 | 0.25 | 44.0 | 1.73 | 9.9 | 0.39 | 6.5 | 0.26 | 38.1 | 1.50 | 42.2 | 1.66 | 3.0 | 0.12 |

| | Width (W) | | Min. radius (R) | | Weight | | Permissible tensile strength N/lbf | Chain material | Pin material* | Surface | |
|-------------|-----------|------|-----------------|-------|--------|-------|------------------------------------|-----------------------------------------------------------------------------------|------------------------------------------------------------|-----------|----------|
| | mm | in | mm | in | kg/m | lb/ft | | | | Roughness | Hardness |
| K325 | 82.6 | 3.25 | 500 | 19.69 | 2.50 | 1.68 | 3000 / 674 | S420 35 (Special Work hardened Crome-nickel ferritic Stainless Steel) | AISI 431 (Work hardened magnetic Stainless Steel) | < 0.2 μm | 30 HRC |
| K330 | 83.8 | 3.30 | 500 | 19.69 | 2.65 | 1.78 | | | | | |

* Chains with special hardened pin (HP) for additional wear resistance and higher corrosion strength are made to order.

SIDE FLEXING

PITCH 38.1 MM/1.50 IN



Sprocket

| No of teeth | Pitch diameter | | Overall-diameter | | Min. ø bore | | Max. ø bore | | Hub-diameter | | Dimension A | | Dimension B | | Molded PA6 LG | Molded Cast Iron | Machined PA6 |
|-------------|----------------|------|------------------|------|-------------|------|-------------|------|--------------|------|-------------|------|-------------|------|---------------|------------------|--------------|
| | mm | in | mm | in | mm | in | mm | in | mm | in | mm | in | mm | in | | | |
| Z19 | 117.3 | 4.62 | 117.0 | 4.61 | 20.0 | 0.79 | 40.0 | 1.57 | 58.0 | 2.28 | 58.7 | 2.31 | 64.5 | 2.54 | ✓ | ✓ | |
| Z21 | 129.2 | 5.09 | 130.0 | 5.12 | 20.0 | 0.79 | 40.0 | 1.57 | 58.0 | 2.28 | 65.0 | 2.56 | 70.5 | 2.78 | ✓ | ✓ | |
| Z23 | 141.2 | 5.56 | 142.0 | 5.59 | 20.0 | 0.79 | 40.0 | 1.57 | 58.0 | 2.28 | 71.2 | 2.80 | 76.5 | 3.01 | ✓ | ✓ | |
| Z25 | 153.2 | 6.03 | 155.0 | 6.10 | 20.0 | 0.79 | 40.0 | 1.57 | 58.0 | 2.28 | 77.4 | 3.05 | 82.5 | 3.25 | ✓ | ✓ | |
| Z27 | 165.2 | 6.50 | 167.0 | 6.57 | 20.0 | 0.79 | 70.0 | 2.76 | n/a | n/a | 83.6 | 3.29 | 88.5 | 3.48 | | ✓ | ✓ |
| Z29 | 177.2 | 6.98 | 179.0 | 7.05 | 20.0 | 0.79 | 70.0 | 2.76 | n/a | n/a | 89.8 | 3.54 | 94.6 | 3.72 | | ✓ | ✓ |
| Z31 | 189.3 | 7.45 | 192.0 | 7.56 | 20.0 | 0.79 | 70.0 | 2.76 | n/a | n/a | 95.9 | 3.78 | 100.6 | 3.96 | | ✓ | ✓ |

Two part sprocket

| No of teeth | Pitch diameter | | Overall-diameter | | Min. ø bore | | Max. ø bore | | Hub-diameter | | Dimension A | | Dimension B | | Molded PA6 LG |
|-------------|----------------|------|------------------|------|-------------|------|-------------|------|--------------|------|-------------|------|-------------|------|---------------|
| | mm | in | mm | in | mm | in | mm | in | mm | in | mm | in | mm | in | |
| Z19 | 117.3 | 4.62 | 117.0 | 4.61 | 20.0 | 0.79 | 40.0 | 1.57 | 58.0 | 2.28 | 58.7 | 2.31 | 64.5 | 2.54 | ✓ |
| Z21 | 129.2 | 5.09 | 130.0 | 5.12 | 20.0 | 0.79 | 40.0 | 1.57 | 58.0 | 2.28 | 65.0 | 2.56 | 70.5 | 2.78 | ✓ |
| Z23 | 141.2 | 5.56 | 142.0 | 5.59 | 20.0 | 0.79 | 40.0 | 1.57 | 58.0 | 2.28 | 71.2 | 2.80 | 76.5 | 3.01 | ✓ |
| Z25 | 153.2 | 6.03 | 155.0 | 6.10 | 20.0 | 0.79 | 40.0 | 1.57 | 58.0 | 2.28 | 77.4 | 3.05 | 82.5 | 3.25 | ✓ |

Molded sprocket



Cast iron sprocket



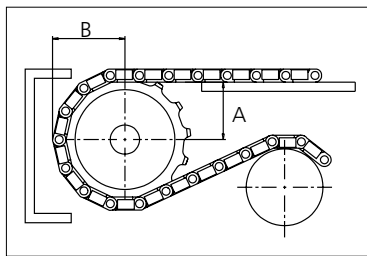
Machined sprocket



Two part sprocket



Non standard material and color:
See uni Material and Color Overview.



Please ensure that sufficient size shaft and keyway are chosen for corresponding load.

Other sprocket sizes are available upon request

Width of tooth: 42.3 mm/1.67 in

Width of sprocket: 42.3 mm/1.67 in

uni Retainer Rings: See uni Retainer Ring data sheet

uni Idler: See uni Idler data sheet

uni Guide Rings can be mounted on cast iron and machined sprockets. See uni Guide Rings data sheet



Conveyor Belts



Seamless Belts



Modular Belts



Timing Belts



Transmission Belts



Fabrication & service

Expert advice, quality solutions and local service for all your belting needs
www.ammeraalbeltech.com

Ammeraal Beltech Modular A/S
Hjulmagervej 21
DK-7100 Vejle

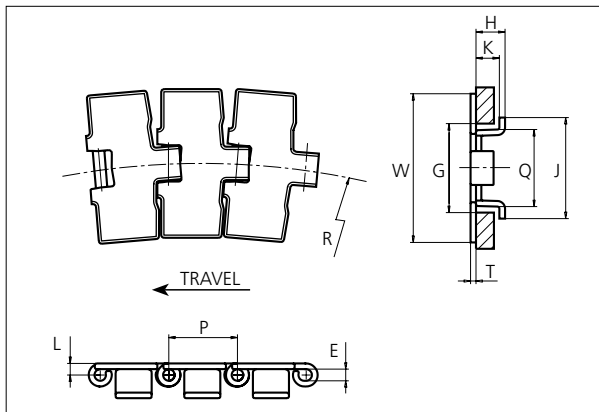
T +45 7572 3100
F +45 7572 3348
admin@unichains.com
www.unichains.com

This information is subject to alteration due to continuous development. Ammeraal Beltech will not be held liable for the incorrect use of the above stated information. This information replaces previous information. All activities performed and services rendered by Ammeraal Beltech are subject to general terms and conditions of sale and delivery, as applied by its operating companies.



Slat Top Stainless Steel Chain

Series **uni 8811 PLUS⁺** Type **Tab**



Slat Top Stainless Steel Chain

Side flexing chain
Pitch: 38.1 mm (1.50 in)
Backflex radius:
76.2 mm (3.00 in)

Standard shipping lengths:
coils of 80 in
= 3.048 m (10.0 ft)

NON STANDARD

| E | | G | | H | | J | | K | | L | | P | | Q | | T | |
|-----|------|------|------|------|------|------|------|------|------|-----|------|------|------|------|------|-----|------|
| mm | in | mm | in | mm | in | mm | in | mm | in | mm | in | mm | in | mm | in | mm | in |
| 6.4 | 0.25 | 44.5 | 1.75 | 16.3 | 0.64 | 56.2 | 2.21 | 12.7 | 0.50 | 6.5 | 0.26 | 38.1 | 1.50 | 43.0 | 1.69 | 3.0 | 0.12 |

SIDE FLEXING

| | Width (W) | | Min. radius (R) | | Weight | | Permissible tensile strength N/lbf | Chain material | Pin material* | Surface | |
|-------------|-----------|------|-----------------|-------|--------|-------|------------------------------------|-----------------------------------------------------------------------------------|------------------------------------------------------------|-----------|----------|
| | mm | in | mm | in | kg/m | lb/ft | | | | Roughness | Hardness |
| K330 | 83.8 | 3.30 | 500 | 19.69 | 3.15 | 2.08 | 3000 / 5674 | S420 35 (Special Work hardened Crome-nickel ferritic Stainless Steel) | AISI 431 (Work hardened magnetic Stainless Steel) | < 0.3 µm | 30 HRC |
| K350 | 88.9 | 3.50 | 500 | 19.69 | 3.30 | 2.22 | | | | | |
| K450 | 114.3 | 4.50 | 610 | 24.02 | 3.80 | 2.55 | | | | | |
| K750 | 190.5 | 7.50 | 610 | 24.02 | 5.50 | 3.70 | | | | | |

* Chains with special hardened pin (HP) for additional wear resistance and higher corrosion strength are made to order.

PITCH 38.1 MM/1.50 IN



Sprocket

| No of teeth | Pitch diameter | | Overall-diameter | | Min. ø bore | | Max. ø bore | | Hub-diameter | | Dimension A | | Dimension B | | Molded PA6 LG | Molded Cast Iron | Machined PA6 |
|-------------|----------------|------|------------------|------|-------------|------|-------------|------|--------------|------|-------------|------|-------------|------|---------------|------------------|--------------|
| | mm | in | mm | in | mm | in | mm | in | mm | in | mm | in | mm | in | | | |
| Z19 | 117.3 | 4.62 | 117.0 | 4.61 | 20.0 | 0.79 | 40.0 | 1.57 | 58.0 | 2.28 | 58.7 | 2.31 | 64.5 | 2.54 | ✓ | ✓ | |
| Z21 | 129.2 | 5.09 | 130.0 | 5.12 | 20.0 | 0.79 | 40.0 | 1.57 | 58.0 | 2.28 | 65.0 | 2.56 | 70.5 | 2.78 | ✓ | ✓ | |
| Z23 | 141.2 | 5.56 | 142.0 | 5.59 | 20.0 | 0.79 | 40.0 | 1.57 | 58.0 | 2.28 | 71.2 | 2.80 | 76.5 | 3.01 | ✓ | ✓ | |
| Z25 | 153.2 | 6.03 | 155.0 | 6.10 | 20.0 | 0.79 | 40.0 | 1.57 | 58.0 | 2.28 | 77.4 | 3.05 | 82.5 | 3.25 | ✓ | ✓ | |
| Z27 | 165.2 | 6.50 | 167.0 | 6.57 | 20.0 | 0.79 | 70.0 | 2.76 | n/a | n/a | 83.6 | 3.29 | 88.5 | 3.48 | | ✓ | ✓ |
| Z29 | 177.2 | 6.98 | 179.0 | 7.05 | 20.0 | 0.79 | 70.0 | 2.76 | n/a | n/a | 89.8 | 3.54 | 94.6 | 3.72 | | ✓ | ✓ |
| Z31 | 189.3 | 7.45 | 192.0 | 7.56 | 20.0 | 0.79 | 70.0 | 2.76 | n/a | n/a | 95.9 | 3.78 | 100.6 | 3.96 | | ✓ | ✓ |

Two part sprocket

| No of teeth | Pitch diameter | | Overall-diameter | | Min. ø bore | | Max. ø bore | | Hub-diameter | | Dimension A | | Dimension B | | Molded PA6 LG |
|-------------|----------------|------|------------------|------|-------------|------|-------------|------|--------------|------|-------------|------|-------------|------|---------------|
| | mm | in | mm | in | mm | in | mm | in | mm | in | mm | in | mm | in | |
| Z19 | 117.3 | 4.62 | 117.0 | 4.61 | 20.0 | 0.79 | 40.0 | 1.57 | 58.0 | 2.28 | 58.7 | 2.31 | 64.5 | 2.54 | ✓ |
| Z21 | 129.2 | 5.09 | 130.0 | 5.12 | 20.0 | 0.79 | 40.0 | 1.57 | 58.0 | 2.28 | 65.0 | 2.56 | 70.5 | 2.78 | ✓ |
| Z23 | 141.2 | 5.56 | 142.0 | 5.59 | 20.0 | 0.79 | 40.0 | 1.57 | 58.0 | 2.28 | 71.2 | 2.80 | 76.5 | 3.01 | ✓ |
| Z25 | 153.2 | 6.03 | 155.0 | 6.10 | 20.0 | 0.79 | 40.0 | 1.57 | 58.0 | 2.28 | 77.4 | 3.05 | 82.5 | 3.25 | ✓ |

Molded sprocket



Cast iron sprocket



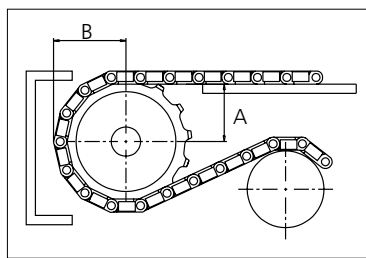
Machined sprocket



Two part sprocket



Non standard material and color:
See uni Material and Color Overview.



Please ensure that sufficient size shaft and keyway are chosen for corresponding load.

Other sprocket sizes are available upon request
Width of tooth: 31.8 mm/1.25 in
Width of sprocket: 42.3 mm/1.67 in
uni Retainer Rings: See uni Retainer Ring data sheet
uni Idler: See uni Idler data sheet



Expert advice, quality solutions and local service for all your belting needs
www.ammeraalbeltech.com

Ammeraal Beltech Modular A/S
Hjulmagervej 21
DK-7100 Vejle

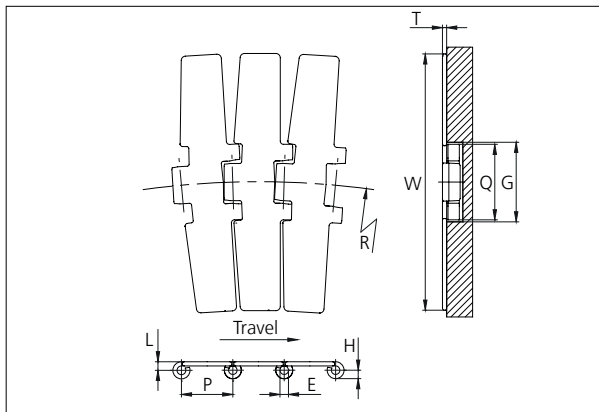
T +45 7572 3100
F +45 7572 3348
admin@unichains.com
www.unichains.com

This information is subject to alteration due to continuous development. Ammeraal Beltech will not be held liable for the incorrect use of the above stated information. This information replaces previous information. All activities performed and services rendered by Ammeraal Beltech are subject to general terms and conditions of sale and delivery, as applied by its operating companies.



Slat Top Stainless Steel Chain

Series **uni 8817 PLUS⁺** Type **Magnetic Wide**



Slat Top Stainless Steel Chain

Side flexing chain
Pitch: 38.1 mm (1.50 in)
Backflex radius:
76.2 mm (3.00 in)

Standard shipping lengths:
coils of 80 in
= 3.048 m (10.0 ft)

| E | | G | | H | | L | | P | | Q | | T | |
|-----|------|------|------|-----|------|-----|------|------|------|------|------|-----|------|
| mm | in | mm | in | mm | in | mm | in | mm | in | mm | in | mm | in |
| 6.4 | 0.25 | 60.0 | 2.36 | 9.9 | 0.39 | 6.5 | 0.26 | 38.1 | 1.50 | 57.0 | 2.24 | 3.0 | 0.12 |

| | Width (W) | | Min. radius (R) | | Weight | | Permissible tensile strength N/lbf | Chain material | Pin material* | Surface | |
|-------------|-----------|------|-----------------|-------|--------|-------|------------------------------------|---------------------------------------------------------------------------|------------------------------------------------------|-----------|----------|
| | mm | in | mm | in | kg/m | lb/ft | | | | Roughness | Hardness |
| K750 | 190.0 | 7.50 | 750 | 29.53 | 5.03 | 3.38 | 3000 / 674 | S420 35 (Special Work hardened Chrome-nickel ferritic Stainless Steel) | AISI 431 (Work hardened magnetic Stainless Steel) | < 0.3 µm | 30 HRC |

* Chains with special hardened pin (HP) for additional wear resistance and higher corrosion strength are made to order.


NON STANDARD

SIDE FLEXING

PITCH 38.1 MM/1.50 IN

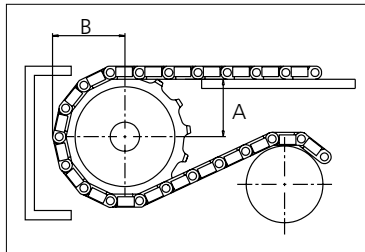


Sprocket

| No of teeth | Pitch diameter | | Overall-diameter | | Min. ø bore | | Max. ø bore | | Dimension A | | Dimension B | |  Machined PA6 |
|-------------|----------------|------|------------------|------|-------------|------|-------------|------|-------------|------|-------------|------|-----------------------------------------------------------------------------------------------------|
| | mm | in | mm | in | mm | in | mm | in | mm | in | mm | in | |
| Z19 | 117.3 | 4.62 | 117.0 | 4.61 | 20.0 | 0.79 | 40.0 | 1.57 | 58.7 | 2.31 | 64.5 | 2.54 | ✓ |
| Z21 | 129.2 | 5.09 | 130.0 | 5.12 | 20.0 | 0.79 | 40.0 | 1.57 | 65.0 | 2.56 | 70.5 | 2.78 | ✓ |
| Z23 | 141.2 | 5.56 | 142.0 | 5.59 | 20.0 | 0.79 | 40.0 | 1.57 | 71.2 | 2.80 | 76.5 | 3.01 | ✓ |
| Z25 | 153.2 | 6.03 | 155.0 | 6.10 | 20.0 | 0.79 | 40.0 | 1.57 | 77.4 | 3.05 | 82.5 | 3.25 | ✓ |
| Z27 | 165.2 | 6.50 | 167.0 | 6.57 | 20.0 | 0.79 | 70.0 | 2.76 | 83.6 | 3.29 | 88.5 | 3.48 | ✓ |
| Z29 | 177.2 | 6.98 | 179.0 | 7.05 | 20.0 | 0.79 | 70.0 | 2.76 | 89.8 | 3.54 | 94.6 | 3.72 | ✓ |
| Z31 | 189.3 | 7.45 | 192.0 | 7.56 | 20.0 | 0.79 | 70.0 | 2.76 | 95.9 | 3.78 | 100.6 | 3.96 | ✓ |

Non standard material and color:
See uni Material and Color Overview.

Machined sprocket



Please ensure that sufficient size shaft and keyway are chosen for corresponding load.

Other sprocket sizes are available upon request

Width of tooth: 57.0 mm/2.24 in

Width of sprocket: 57.0 mm/2.24 in

uni Retainer Rings: See uni Retainer Ring data sheet

uni Idler: See uni Idler data sheet

uni Guide Rings can be mounted on cast iron and machined sprockets. See uni Guide Rings data sheet

uni 8817 Plus+ Magnetic Wide/160624



Conveyor Belts



Seamless Belts



Modular Belts



Timing Belts



Transmission Belts



Fabrication & service

Expert advice, quality solutions and local service for all your belting needs
www.ammeraalbeltech.com

Ammeraal Beltech Modular A/S
Hjulmagervej 21
DK-7100 Vejle

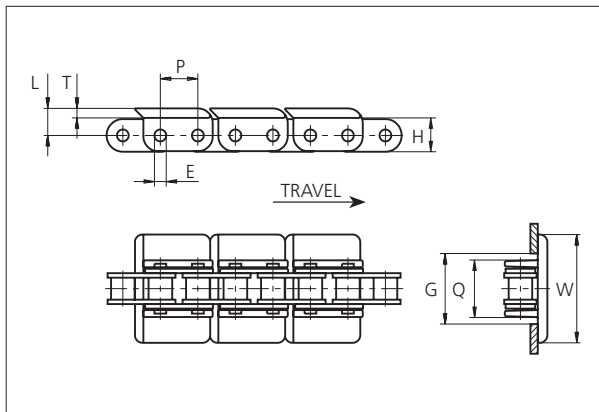
T +45 7572 3100
F +45 7572 3348
admin@unichains.com
www.unichains.com

This information is subject to alteration due to continuous development. Ammeraal Beltech will not be held liable for the incorrect use of the above stated information. This information replaces previous information. All activities performed and services rendered by Ammeraal Beltech are subject to general terms and conditions of sale and delivery, as applied by its operating companies.



Snap-On Plastic Chain

Series **uni 843** Type -



Snap-On Plastic Chain
 Straight running chain
 Pitch: 12.7 mm (0.50 in)
 Backflex radius: 100.0 mm (3.90 in)
 Permissible tensile strength:
 SS304: 1500 N (340 lbf)
 Carbon steel: 2000 N (450 lbf)
 Standard shipping lengths:
 No. of roller chain links/box:
 480 = 6.096 m (20.0 ft)
 No. of flights/box:
 240 = 6.096 m (20.0 ft)
 uni 843-K325: No. of roller chain links/box: 240 = 3.048 m (10.0 ft)
 No of flights/box:
 120 = 3.048 m (10.0 ft)

| E | | G | | H | | L | | P | | Q | | T | |
|-----|------|------|------|------|------|-----|------|------|------|------|------|-----|------|
| mm | in | mm | in | mm | in | mm | in | mm | in | mm | in | mm | in |
| 4.0 | 0.16 | 20.5 | 0.81 | 11.5 | 0.45 | 9.1 | 0.36 | 12.7 | 0.50 | 19.1 | 0.75 | 3.2 | 0.13 |

All dimensions are for chains in POM material.

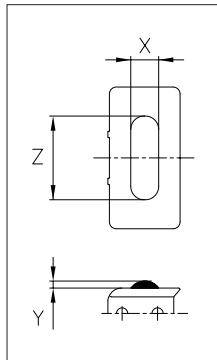
All Snap-On versions can be delivered either with a stainless steel chain (SS304) or a carbon steel chain.

| | Width (W) | | Recommended flight material & color | Recommended chain material | Weight | |
|-------------|-----------|------|-------------------------------------|----------------------------|--------|-------|
| | mm | in | | | kg/m | lb/ft |
| K100 | 25.4 | 1.00 | POM-DI G POM-LFI BR | SS304 or Carbon steel | 0.8 | 0.54 |
| K138 | 34.9 | 1.37 | POM-DI G POM-LFI BR | SS304 or Carbon steel | 0.8 | 0.54 |
| K144 | 36.4 | 1.43 | POM-DI G POM-LFI BR | SS304 or Carbon steel | 0.8 | 0.54 |
| K175 | 44.4 | 1.75 | POM-DI G POM-LFI BR | SS304 or Carbon steel | 0.8 | 0.54 |
| K200 | 50.8 | 2.00 | POM-DI G POM-LFI BR | SS304 or Carbon steel | 0.9 | 0.60 |
| K250 | 63.5 | 2.50 | POM-DI G POM-LFI BR | SS304 or Carbon steel | 0.9 | 0.60 |
| K325 | 82.6 | 3.25 | POM-DI G POM-LFI BR | SS304 or Carbon steel | 1.0 | 0.67 |

Non standard material and color: See uni Material and Color Overview.

Accessories

Rubber Top



When ordering, please state the required distance between the Rubber Top.

Other Non Standard rubber profiles: See uni Rubber Profile Overview.

| Width | Link material | Rubber material | Z | | X | | Y | |
|-------------|-------------------|-----------------|------|------|------|------|-----|------|
| | | | mm | in | mm | in | mm | in |
| K100 | POM-LFI BR | 05 I | 12.0 | 0.47 | 10.0 | 0.39 | 2.5 | 0.10 |
| K138 | POM-LFI BR | 05 I | 25.0 | 0.98 | 10.0 | 0.39 | 2.5 | 0.10 |
| K144 | POM-LFI BR | 05 I | 30.0 | 1.18 | 10.0 | 0.39 | 2.5 | 0.10 |
| K175 | POM-LFI BR | 05 I | 30.0 | 1.18 | 10.0 | 0.39 | 2.5 | 0.10 |
| K200 | POM-LFI BR | 05 I | 30.0 | 1.18 | 10.0 | 0.39 | 2.5 | 0.10 |
| K250 | POM-LFI BR | 05 I | 30.0 | 1.18 | 10.0 | 0.39 | 2.5 | 0.10 |
| K325 | POM-LFI BR | 05 I | 30.0 | 1.18 | 10.0 | 0.39 | 2.5 | 0.10 |



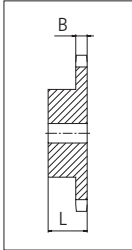
NON STANDARD

STRAIGHT RUNNING

PITCH 12.7 MM/0.50 IN

Sprocket

| No. of teeth | Pitch diameter | | Hub diameter | | Overall width L | | Tooth width B | | tBore | | Machined S1045 |
|--------------|----------------|------|--------------|------|-----------------|------|---------------|------|-------|------|----------------|
| | mm | in | mm | in | mm | in | mm | in | mm | in | |
| Z18 | 73.1 | 2.88 | 56.0 | 2.20 | 28.0 | 1.10 | 7.2 | 0.28 | 12.0 | 0.47 | ✓ |
| Z25 | 101.3 | 3.99 | 70.0 | 2.76 | 28.0 | 1.10 | 7.2 | 0.28 | 14.0 | 0.55 | ✓ |



Please ensure that sufficient size shaft and keyway are chosen for corresponding load.

Non standard material and color:
See uni Material and Color Overview.

Other sprocket sizes are available upon request
uni Retainer Rings: See uni Retainer Ring data sheet

uni 843/170922



Solid advice
For all your belting needs
Local stock & service
www.ammeraalbeltech.com

Ammeraal Beltech Modular A/S
Hjulmagervej 21
DK-7100 Vejle

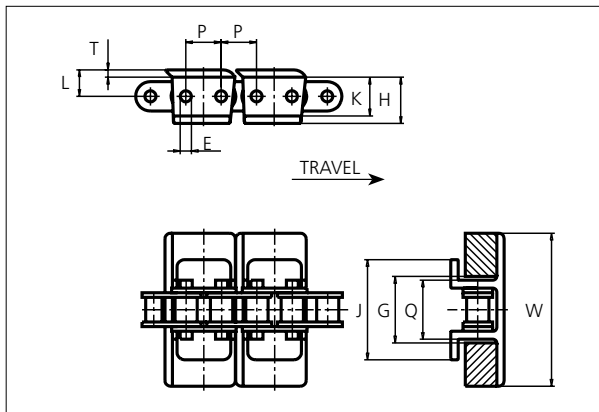
T +45 7572 3100
F +45 7572 3348
admin@unichains.com
www.unichains.com

This information is subject to alteration due to continuous development. Ammeraal Beltech will not be held liable for the incorrect use of the above stated information. This information replaces previous information. All activities performed and services rendered by Ammeraal Beltech are subject to general terms and conditions of sale and delivery, as applied by its operating companies.



Snap-On Plastic Chain

Series **uni 863** Type **Tab**



Snap-On Plastic Chain
 Straight running chain
 Pitch: 19.1 mm (0.75 in)
 Backflex radius: 150.0 mm (5.90 in)
 Permissible tensile strength:
 uni 863 Tab with (SS304) stainless steel chain: 2700 N (600 lbf)
 uni 863 Tab with carbon steel chain: 5500 N (1200 lbf)

Standard shipping lengths:
 No. of roller chain links/box: 160 = 3.048 m (10.0 ft)
 No. of flights/box: 80 = 3.048 m (10.0 ft)

| E | | G | | H | | K | | L | | P | | Q | | T | |
|-----|------|------|------|------|------|------|------|------|------|------|------|------|------|-----|------|
| mm | in | mm | in | mm | in | mm | in | mm | in | mm | in | mm | in | mm | in |
| 6.0 | 0.24 | 34.9 | 1.37 | 25.1 | 0.99 | 20.9 | 0.82 | 14.3 | 0.56 | 19.1 | 0.75 | 31.9 | 1.25 | 4.0 | 0.16 |

All dimensions are for chains in POM material.

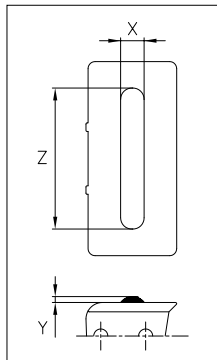
All Snap-On versions can be delivered either with a stainless steel chain (SS304) or a carbon steel chain.

| | Width (W) | | Flight material & color | Chain material | | Weight | |
|--------------|-----------|------|-------------------------|----------------|--------------|--------|-------|
| | mm | in | | | | kg/m | lb/ft |
| K250 | 63.5 | 2.50 | - | - | - | - | - |
| K287 | 73.0 | 2.87 | - | - | - | - | - |
| K325 | 82.6 | 3.25 | POM-DI G | SS304 | SS430 | 2.2 | 1.48 |
| K450 | 114.3 | 4.50 | - | - | - | - | - |
| K500 | 127.0 | 5.0 | - | - | - | - | - |
| K600 | 152.4 | 6.0 | - | - | - | - | - |
| K700 | 177.8 | 7.0 | - | - | - | - | - |
| K1000 | 254.0 | 10.0 | - | - | - | - | - |

Non standard material and color: See uni Material and Color Overview.

Accessories

Rubber Top



| Width | Link material | Rubber material | Z | | X | | Y | |
|-------------|-----------------|-----------------|------|------|------|------|-----|------|
| | | | mm | in | mm | in | mm | in |
| K325 | POM-DI G | 05 I | 60.0 | 2.36 | 10.0 | 0.39 | 2.5 | 0.10 |

When ordering, please state the required distance between the Rubber Top.

Other Non Standard rubber profiles: See uni Rubber Profile Overview.



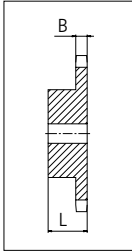
STANDARD

STRAIGHT RUNNING

PITCH 19.1 MM/0.75 IN

Sprocket

| No. of teeth | Pitch diameter | | Hub diameter | | Overall width L | | Tooth width B | | Bore | | Machined S1045 |
|--------------|----------------|------|--------------|------|-----------------|------|---------------|------|------|------|----------------|
| | mm | in | mm | in | mm | in | mm | in | mm | in | |
| Z19 | 115.7 | 4.56 | 80.0 | 3.15 | 35.0 | 1.38 | 11.7 | 0.46 | 16.0 | 0.63 | ✓ |
| Z20 | 121.8 | 4.79 | 80.0 | 3.15 | 35.0 | 1.38 | 11.7 | 0.46 | 16.0 | 0.63 | ✓ |
| Z25 | 152.0 | 5.98 | 90.0 | 3.54 | 40.0 | 1.57 | 11.7 | 0.46 | 20.0 | 0.79 | ✓ |



Please ensure that sufficient size shaft and keyway are chosen for corresponding load.

Non standard material and color:
See uni Material and Color Overview.

Other sprocket sizes are available upon request.
uni Retainer Rings: See uni Retainer Ring data sheet.

uni 863 Tab/160620



Solid advice
For all your belting needs
Local stock & service
www.ammeraalbeltech.com

Ammeraal Beltech Modular A/S
Hjulmagervej 21
DK-7100 Vejle

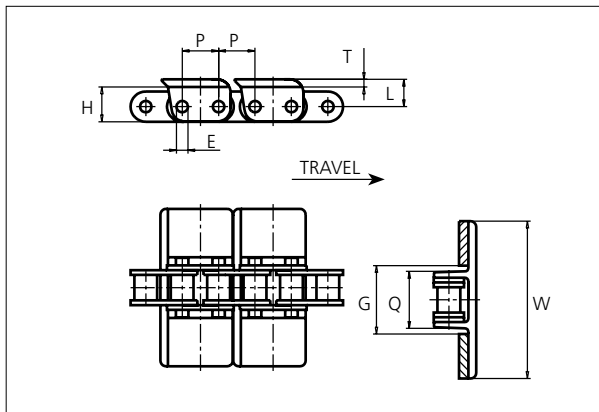
T +45 7572 3100
F +45 7572 3348
admin@unichains.com
www.unichains.com

This information is subject to alteration due to continuous development. Ammeraal Beltech will not be held liable for the incorrect use of the above stated information. This information replaces previous information. All activities performed and services rendered by Ammeraal Beltech are subject to general terms and conditions of sale and delivery, as applied by its operating companies.



Snap-On Plastic Chain

Series **uni 863** Type -



Snap-On Plastic Chain
 Straight running chain
 Pitch: 19.1 mm (0.75 in)
 Backflex radius: 150.0 mm (5.90 in)
 Permissible tensile strength:
 uni 863 with (SS304) stainless steel chain: 2700 N (600 lbf)
 uni 863 with carbon steel chain: 5500 N (1200 lbf)
 Standard shipping lengths:
 No. of roller chain links/box: 160 = 3.048 m (10.0 ft)
 No. of flights/box: 80 = 3.048 m (10.0 ft)

| E | | G | | H | | L | | P | | Q | | T | |
|-----|------|------|------|------|------|------|------|------|------|------|------|-----|------|
| mm | in | mm | in | mm | in | mm | in | mm | in | mm | in | mm | in |
| 6.0 | 0.24 | 36.5 | 1.44 | 18.6 | 0.73 | 14.3 | 0.56 | 19.1 | 0.75 | 30.5 | 1.20 | 4.0 | 0.16 |

All dimensions are for chains in POM material.

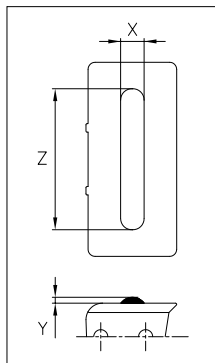
All Snap-On versions can be delivered either with a stainless steel chain (SS304) or a carbon steel chain.

| | Width (W) | | Flight material & color | Chain material | Weight | |
|-------------|-----------|------|-------------------------|-----------------------|--------|-------|
| | mm | in | | | kg/m | lb/ft |
| K175 | 44.5 | 1.75 | - | - | - | - |
| K250 | 63.5 | 2.50 | - | - | - | - |
| K325 | 82.6 | 3.25 | POM-DI G | SS304 or Carbon steel | 2.1 | 1.41 |
| K450 | 114.3 | 4.50 | POM-LFI BR | SS304 or Carbon steel | 2.3 | 1.55 |
| K600 | 152.4 | 6.00 | - | - | - | - |
| K750 | 190.5 | 7.50 | - | - | - | - |

Non standard material and color: See uni Material and Color Overview.

Accessories

Rubber Top



When ordering, please state the required distance between the Rubber Top.

Other Non Standard rubber profiles: See uni Rubber Profile Overview.

| Width | Link material | Rubber material | Z | | X | | Y | |
|-------------|-------------------|-----------------|-------|------|------|------|-----|------|
| | | | mm | in | mm | in | mm | in |
| K325 | POM-DI G | 05 I | 60.0 | 2.36 | 10.0 | 0.39 | 2.5 | 0.10 |
| K450 | POM-LFI BR | 05 I | 105.0 | 4.13 | 10.0 | 0.39 | 2.5 | 0.10 |



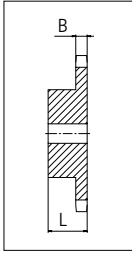
NON STANDARD

STRAIGHT RUNNING

PITCH 19.1 MM/0.75 IN

Sprocket

| No. of teeth | Pitch diameter | | Hub diameter | | Overall width L | | Tooth width B | | Bore | | Machined S1045 |
|--------------|----------------|------|--------------|------|-----------------|------|---------------|------|------|------|----------------|
| | mm | in | mm | in | mm | in | mm | in | mm | in | |
| Z19 | 115.7 | 4.56 | 80.0 | 3.15 | 35.0 | 1.38 | 11.7 | 0.46 | 16.0 | 0.63 | ✓ |
| Z20 | 121.8 | 4.79 | 80.0 | 3.15 | 35.0 | 1.38 | 11.7 | 0.46 | 16.0 | 0.63 | ✓ |
| Z25 | 152.0 | 5.98 | 90.0 | 3.54 | 40.0 | 1.57 | 11.7 | 0.46 | 20.0 | 0.79 | ✓ |



Please ensure that sufficient size shaft and keyway are chosen for corresponding load.

Non standard material and color:
See uni Material and Color Overview.

Other sprocket sizes are available upon request.
uni Retainer Rings: See uni Retainer Ring data sheet.

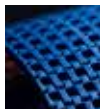
uni 863/170406



Conveyor Belts



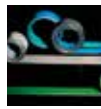
Seamless Belts



Modular Belts



Timing Belts



Transmission Belts



Fabrication & service

Expert advice, quality solutions and local service for all your belting needs
www.ammeraalbeltech.com

Ammeraal Beltech Modular A/S
Hjulmagervej 21
DK-7100 Vejle

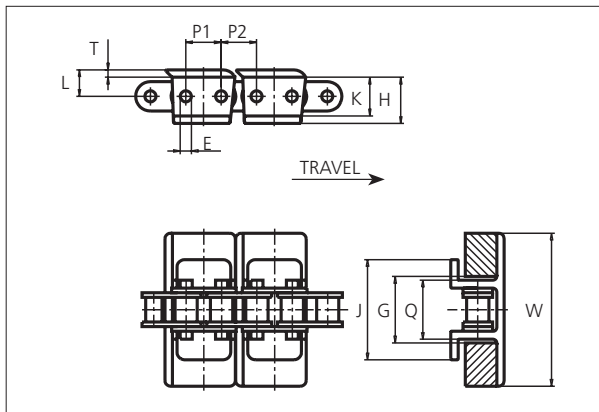
T +45 7572 3100
F +45 7572 3348
admin@unichains.com
www.unichains.com

This information is subject to alteration due to continuous development. Ammeraal Beltech will not be held liable for the incorrect use of the above stated information. This information replaces previous information. All activities performed and services rendered by Ammeraal Beltech are subject to general terms and conditions of sale and delivery, as applied by its operating companies.



Snap-On Plastic Chain

Series **uni 963** Type **Tab**



Snap-On Plastic Chain
 Straight running chain
 Pitch: 19.1 mm (0.75 in)
 Backflex radius: 150.0 mm (5.90 in)
 Permissible tensile strength:
 uni 963 Tab with (SS304) stainless steel chain: 2000 N (450 lbf)
 uni 963 Tab with carbon steel chain: 4000 N (900 lbf)
 Standard shipping lengths:
 No. of roller chain links/box: 160 = 3.048 m (10.0 ft)
 No. of flights/box: 80 = 3.048 m (10.0 ft)

| E | | G | | H | | J | | K | | L | | P1 | | P2 | | Q | | T | |
|-----|------|------|------|------|------|------|------|------|------|------|------|------|------|------|------|------|------|-----|------|
| mm | in | mm | in | mm | in | mm | in | mm | in | mm | in | mm | in | mm | in | mm | in | mm | in |
| 5.1 | 0.20 | 34.9 | 1.37 | 25.1 | 0.99 | 50.8 | 2.00 | 20.9 | 0.82 | 14.3 | 0.56 | 18.1 | 0.71 | 20.1 | 0.79 | 31.9 | 1.25 | 4.0 | 0.16 |

All dimensions are for chains in POM material.

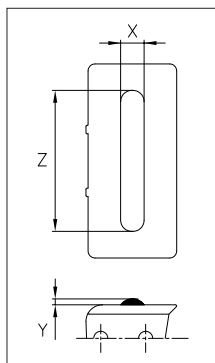
All Snap-On versions can be delivered either with a stainless steel chain (SS304) or a carbon steel chain.

| | Width (W) | | Recommended flight material & color | Recommended chain material | Weight | |
|--------------|-----------|------|-------------------------------------|----------------------------|--------|-------|
| | mm | in | | | kg/m | lb/ft |
| K250 | 63.5 | 2.50 | POM-DI G POM-LFI BR | SS304 or Carbon steel | 2.1 | 1.41 |
| K325 | 82.6 | 3.25 | POM-DI G POM-LFI BR | SS304 or Carbon steel | 2.2 | 1.48 |
| K450 | 114.3 | 4.50 | POM-DI G POM-LFI BR | SS304 or Carbon steel | 2.4 | 1.61 |
| K500 | 127.0 | 5.0 | POM-DI G POM-LFI BR | SS304 or Carbon steel | 2.4 | 1.61 |
| K1000 | 254.0 | 10.0 | POM-DI G POM-LFI BR | SS304 or Carbon steel | 3.2 | 2.15 |

Non standard material and color: See uni Material and Color Overview.

Accessories

Rubber Top



When ordering, please state the required distance between the Rubber Top.

Other Non Standard rubber profiles: See uni Rubber Profile Overview.

| Width | Link material | Rubber material | Z | | X | | Y | |
|--------------|-------------------|-----------------|-------|------|------|------|-----|------|
| | | | mm | in | mm | in | mm | in |
| K325 | POM-LFI BR | 05 I | 60.0 | 2.36 | 10.0 | 0.39 | 2.5 | 0.10 |
| K450 | POM-LFI BR | 05 I | 105.0 | 4.13 | 10.0 | 0.39 | 2.5 | 0.10 |
| K500 | POM-LFI BR | 05 I | 105.0 | 4.13 | 10.0 | 0.39 | 2.5 | 0.10 |
| K1000 | POM-LFI BR | 05 I | 170.0 | 6.69 | 10.0 | 0.39 | 2.5 | 0.10 |



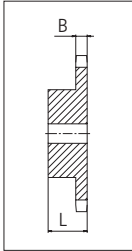
NON STANDARD

STRAIGHT RUNNING

PITCH 19.1 MM/0.75 IN

Sprocket

| No of teeth | Pitch diameter | | Hub diameter | | Overall width L | | Tooth width B | | Bore | | Machined S1045 |
|-------------|----------------|------|--------------|------|-----------------|------|---------------|------|------|------|----------------|
| | mm | in | mm | in | mm | in | mm | in | mm | in | |
| Z19 | 115.7 | 4.56 | 80.0 | 3.15 | 35.0 | 1.38 | 11.7 | 0.46 | 16.0 | 0.63 | ✓ |
| Z20 | 121.8 | 4.79 | 80.0 | 3.15 | 35.0 | 1.38 | 11.7 | 0.46 | 16.0 | 0.63 | ✓ |
| Z25 | 152.0 | 5.98 | 90.0 | 3.54 | 40.0 | 1.57 | 11.7 | 0.46 | 20.0 | 0.79 | ✓ |

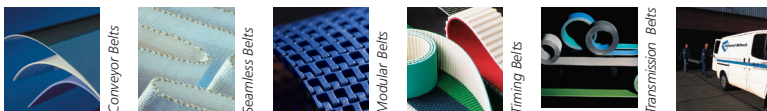


Please ensure that sufficient size shaft and keyway are chosen for corresponding load.

Non standard material and color:
See uni Material and Color Overview.

Other sprocket sizes are available upon request.
uni Retainer Rings: See uni Retainer Ring data sheet.

uni 963 Tab/170922



Solid advice
For all your belting needs
Local stock & service
www.ammeraalbeltech.com

Ammeraal Beltech Modular A/S
Hjulmagervej 21
DK-7100 Vejle

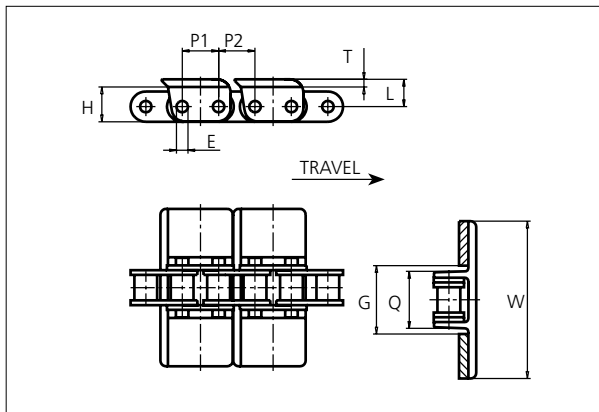
T +45 7572 3100
F +45 7572 3348
admin@unichains.com
www.unichains.com

This information is subject to alteration due to continuous development. Ammeraal Beltech will not be held liable for the incorrect use of the above stated information. This information replaces previous information. All activities performed and services rendered by Ammeraal Beltech are subject to general terms and conditions of sale and delivery, as applied by its operating companies.



Snap-On Plastic Chain

Series **uni 963** Type -



Snap-On Plastic Chain
 Straight running chain
 Pitch: 19.1 mm (0.75 in)
 Backflex radius: 150.0 mm (5.90 in)
 Permissible tensile strength:
 uni 963 with (SS304) stainless steel chain: 2000 N (450 lbf)
 uni 963 with carbon steel chain: 4000 N (900 lbf)
 Standard shipping lengths:
 No. of roller chain links/box:
 160 = 3.048 m (10.0 ft)
 No. of flights/box:
 80 = 3.048 m (10.0 ft)

| E | | G | | H | | L | | P1 | | P2 | | Q | | T | |
|-----|------|------|------|------|------|------|------|------|------|------|------|------|------|-----|------|
| mm | in | mm | in | mm | in | mm | in | mm | in | mm | in | mm | in | mm | in |
| 5.1 | 0.20 | 36.5 | 1.44 | 18.6 | 0.73 | 14.3 | 0.56 | 18.1 | 0.71 | 20.1 | 0.79 | 30.5 | 1.20 | 4.0 | 0.16 |

All dimensions are for chains in POM material.

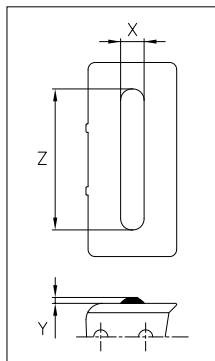
All Snap-On versions can be delivered either with a stainless steel chain (SS304) or a carbon steel chain.

| | Width (W) | | Flight material & color | Chain material | Weight | |
|-------------|-----------|------|-------------------------|----------------|--------|-------|
| | mm | in | | | kg/m | lb/ft |
| K325 | 82.6 | 3.25 | - | - | - | - |
| K450 | 114.3 | 4.50 | - | - | - | - |
| K600 | 152.4 | 6.00 | - | - | - | - |
| K750 | 190.5 | 7.50 | - | - | - | - |

Non standard material and color: See uni Material and Color Overview.

Accessories

Rubber Top



| Width | Link material | Rubber material | Z | | X | | Y | |
|-------------|-------------------|-----------------|------|------|------|------|-----|------|
| | | | mm | in | mm | in | mm | in |
| K325 | POM-LFI BR | 05 I | 60.0 | 2.36 | 10.0 | 0.39 | 2.5 | 0.10 |

When ordering, please state the required distance between the Rubber Top.

Other Non Standard rubber profiles: See uni Rubber Profile Overview.



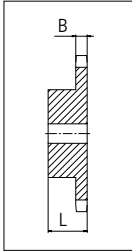
NON STANDARD

STRAIGHT RUNNING

PITCH 19.1 MM/0.75 IN

Sprocket

| No of teeth | Pitch diameter | | Hub diameter | | Overall width L | | Tooth width B | | Bore | | Machined S1045 |
|-------------|----------------|------|--------------|------|-----------------|------|---------------|------|------|------|----------------|
| | mm | in | mm | in | mm | in | mm | in | mm | in | |
| Z19 | 115.7 | 4.56 | 80.0 | 3.15 | 35.0 | 1.38 | 11.7 | 0.46 | 16.0 | 0.63 | ✓ |
| Z20 | 121.8 | 4.79 | 80.0 | 3.15 | 35.0 | 1.38 | 11.7 | 0.46 | 16.0 | 0.63 | ✓ |
| Z25 | 152.0 | 5.98 | 90.0 | 3.54 | 40.0 | 1.57 | 11.7 | 0.46 | 20.0 | 0.79 | ✓ |



Please ensure that sufficient size shaft and keyway are chosen for corresponding load.

Non standard material and color:
See uni Material and Color Overview.

Other sprocket sizes are available upon request.
uni Retainer Rings: See uni Retainer Ring data sheet.

uni 963/160621



Solid advice
For all your belting needs
Local stock & service
www.ammeraalbeltech.com

Ammeraal Beltech Modular A/S
Hjulmagervej 21
DK-7100 Vejle

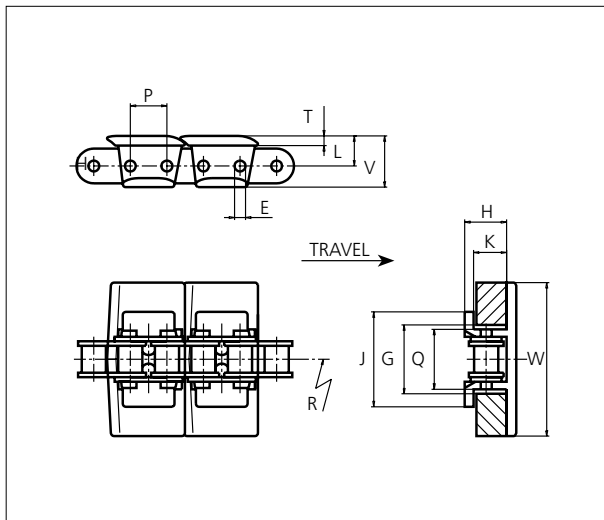
T +45 7572 3100
F +45 7572 3348
admin@unichains.com
www.unichains.com

This information is subject to alteration due to continuous development. Ammeraal Beltech will not be held liable for the incorrect use of the above stated information. This information replaces previous information. All activities performed and services rendered by Ammeraal Beltech are subject to general terms and conditions of sale and delivery, as applied by its operating companies.



Snap-On Plastic Chain

Series **uni 1843** Type -



Snap-On Plastic Chain

Side flexing chain
 Pitch: 12.7 mm (0.50 in)
 Backflex radius: 155.0 mm (6.10 in)
 Permissible tensile strength:
 uni 1843 with (SS304) stainless steel chain: 1500 N (340 lbf)
 uni 1843 with carbon steel chain: 2000 N (450 lbf)
 Standard shipping lengths:
 No. of roller chain links/box: 480 = 6.096 m (20.0 ft)
 No. of flights/box: 240 = 6.096 m (20.0 ft)
 uni 1843-K325: No. of roller chain links/box: 240 = 3.048 m (10.0 ft)
 No. of flights/box: 120 = 3.048 m (10.0 ft)

| E | | G | | H | | J | | K | | L | | P | | Q | | T | | V | |
|-----|------|------|------|------|------|------|------|------|------|-----|------|------|------|------|------|-----|------|------|------|
| mm | in | mm | in | mm | in | mm | in | mm | in | mm | in | mm | in | mm | in | mm | in | mm | in |
| 3.6 | 0.14 | 22.0 | 0.87 | 13.8 | 0.54 | 31.4 | 1.24 | 10.8 | 0.43 | 9.3 | 0.37 | 12.7 | 0.50 | 19.8 | 0.78 | 3.3 | 0.13 | 17.1 | 0.67 |

All dimensions are for chains in POM material.

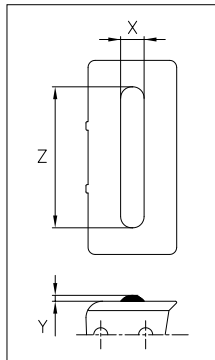
All Snap-On versions can be delivered either with a stainless steel chain (SS304) or a carbon steel chain.

| | Width (W) | | Flight material & color | Chain material | Weight | | Min. radius R | |
|-------------|-----------|------|-------------------------|-------------------------------------|--------|-------|---------------|-------|
| | mm | in | | | kg/m | lb/ft | mm | in |
| K125 | 31.5 | 1.25 | POM-LFI BR | SS304 or Carbon steel | 0.8 | 0.54 | 254.0 | 10.00 |
| K150 | 37.9 | 1.50 | - | - | - | - | - | - |
| K200 | 50.6 | 2.00 | POM-LFI BR | SS304 or Carbon steel | 0.9 | 0.60 | 254.0 | 10.00 |
| K325 | 82.6 | 3.25 | POM-LFI BR | SS304 or Carbon steel | 1.0 | 0.67 | 254.0 | 10.00 |

Non standard material and color: See uni Material and Color Overview.

Accessories

Rubber Top / NON STANDARD



When ordering, please state the required distance between the Rubber Top.

Other Non Standard rubber profiles: See uni Rubber Profile Overview.

| Width | Recommended link material | Recommended rubber material | Z | | X | | Y | |
|-------------|---------------------------|-----------------------------|------|------|------|------|-----|------|
| | | | mm | in | mm | in | mm | in |
| K125 | POM-LFI BR | 05 I | 25.0 | 0.98 | 10.0 | 0.39 | 3.0 | 0.12 |
| K150 | POM-LFI BR | 05 I | 30.0 | 1.18 | 10.0 | 0.39 | 1.0 | 0.04 |
| K200 | POM-LFI BR | 05 I | 40.0 | 1.57 | 10.0 | 0.39 | 0.5 | 0.02 |
| K325 | POM-LFI BR | 05 I | 60.0 | 2.32 | 10.0 | 0.39 | 5.0 | 0.20 |



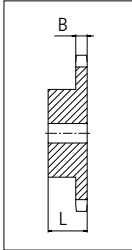
STANDARD

SIDE FLEXING

PITCH 12.7 MM/0.50 IN

Sprocket

| No of teeth | Pitch diameter | | Hub diameter | | Overall width L | | Tooth width B | | Bore | | Machined S1045 |
|-------------|----------------|------|--------------|------|-----------------|------|---------------|------|------|------|----------------|
| | mm | in | mm | in | mm | in | mm | in | mm | in | |
| Z18 | 73.1 | 2.88 | 56.0 | 2.20 | 28.0 | 1.10 | 7.2 | 0.28 | 12.0 | 0.47 | ✓ |
| Z25 | 101.3 | 3.99 | 70.0 | 2.76 | 28.0 | 1.10 | 7.2 | 0.28 | 14.0 | 0.55 | ✓ |



Please ensure that sufficient size shaft and keyway are chosen for corresponding load.

Non standard material and color:
See uni Material and Color Overview.

Other sprocket sizes are available upon request.
uni Retainer Rings: See uni Retainer Ring data sheet.

uni 1843 Tab/170111



Conveyor Belts



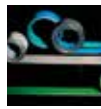
Seamless Belts



Modular Belts



Timing Belts



Transmission Belts



Fabrication & service

Solid advice
For all your belting needs
Local stock & service
www.ammeraalbeltech.com

Ammeraal Beltech Modular A/S
Hjulmagervej 21
DK-7100 Vejle

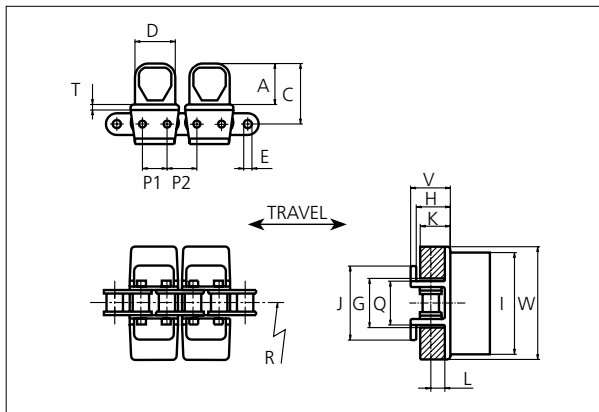
T +45 7572 3100
F +45 7572 3348
admin@unichains.com
www.unichains.com

This information is subject to alteration due to continuous development. Ammeraal Beltech will not be held liable for the incorrect use of the above stated information. This information replaces previous information. All activities performed and services rendered by Ammeraal Beltech are subject to general terms and conditions of sale and delivery, as applied by its operating companies.



Snap-On Plastic Chain

Series **uni 1873** Type **Grip D**



Snap-On Plastic Chain
 Side flexing chain
 Pitch: 19.1 mm (0.75 in)
 Backflex radius: 150.0 mm (5.90 in)
 Permissible tensile strength:
 uni 1873 Grip D (SS304) stainless steel chain: 2000 N (450 lbf)
 uni 1873 Grip D carbon steel chain: 4000 N (900 lbf)
 Standard shipping lengths:
 No. of roller chain links/box: 320 = 6.096 m (20.0 ft)
 No. of flights/box: 160 = 6.096 m (20.0 ft)

| A | | C | | D | | E | | G | | H | | I | | J | |
|------|------|------|------|------|------|------|------|------|------|------|------|------|------|------|------|
| mm | in | mm | in | mm | in | mm | in | mm | in | mm | in | mm | in | mm | in |
| 30.0 | 1.18 | 45.3 | 1.78 | 29.6 | 1.17 | 5.1 | 0.20 | 34.9 | 1.37 | 25.9 | 1.02 | 78.5 | 3.09 | 54.4 | 2.14 |
| K | | L | | P1 | | P2 | | Q | | T | | V | | | |
| mm | in | mm | in | mm | in | mm | in | mm | in | mm | in | mm | in | | |
| 20.6 | 0.81 | 10.3 | 0.41 | 18.1 | 0.71 | 20.1 | 0.79 | 31.8 | 1.25 | 5.0 | 0.20 | 30.0 | 1.18 | | |

All dimensions are for chains in POM material.

All Snap-On versions can be delivered either with a stainless steel chain (SS304) or a carbon steel chain.

| | Width (W) | | Flight material & color | Chain material | Weight | | Min. radius R | |
|-------------|-----------|------|---------------------------------|-------------------------------------|--------|-------|---------------|-------|
| | mm | in | | | kg/m | lb/ft | mm | in |
| K325 | 82.6 | 3.25 | POM-LFI BR - 04 K | SS304 or Carbon steel | 2.9 | 1.95 | 356.0 | 14.02 |

Non standard material and color: See uni Material and Color Overview.

STANDARD

SIDE FLEXING

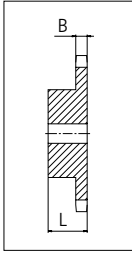
PITCH 19.1 MM/0.75 IN



Sprocket

| No of teeth | Pitch diameter | | Hub diameter | | Overall width L | | Tooth width B | | Bore | | Machined S1045 |
|-------------|----------------|------|--------------|------|-----------------|------|---------------|------|------|------|----------------|
| | mm | in | mm | in | mm | in | mm | in | mm | in | |
| Z19 | 115.7 | 4.56 | 80.0 | 3.15 | 35.0 | 1.38 | 11.7 | 0.46 | 16.0 | 0.63 | ✓ |
| Z20 | 121.8 | 4.79 | 80.0 | 3.15 | 35.0 | 1.38 | 11.7 | 0.46 | 16.0 | 0.63 | ✓ |
| Z25 | 152.0 | 5.98 | 90.0 | 3.54 | 40.0 | 1.57 | 11.7 | 0.46 | 20.0 | 0.79 | ✓ |

Non standard material and color:
See uni Material and Color Overview.



Please ensure that sufficient size shaft and keyway are chosen for corresponding load.

Other sprocket sizes are available upon request.
uni Retainer Rings: See uni Retainer Ring data sheet.

uni 1873 GRIP D/160624



Solid advice
For all your belting needs
Local stock & service
www.ammeraalbeltech.com

Ammeraal Beltech Modular A/S
Hjulmagervej 21
DK-7100 Vejle

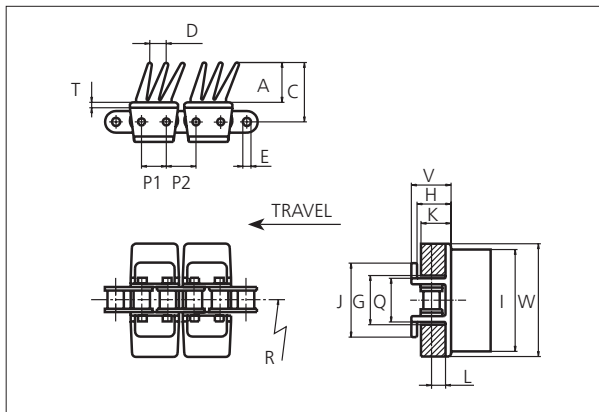
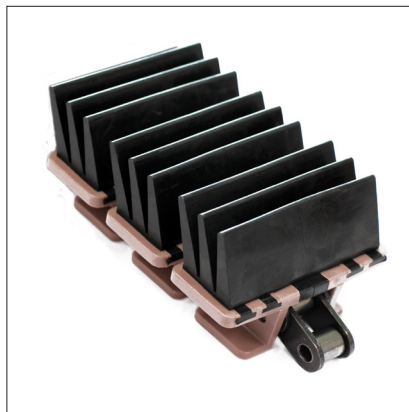
T +45 7572 3100
F +45 7572 3348
admin@unichains.com
www.unichains.com

This information is subject to alteration due to continuous development. Ammeraal Beltech will not be held liable for the incorrect use of the above stated information. This information replaces previous information. All activities performed and services rendered by Ammeraal Beltech are subject to general terms and conditions of sale and delivery, as applied by its operating companies.



Snap-On Plastic Chain

Series **uni 1873** Type **Grip G3**



Snap-On Plastic Chain
 Side flexing chain
 Pitch: 19.1 mm (0.75 in)
 Backflex radius: 150.0 mm (5.90 in)
 Permissible tensile strength:
 uni 1873 Grip G3 (uni 304) stainless steel chain: 2000 N (450 lbf)
 uni 1873 Grip G3 carbon steel chain: 4000 N (900 lbf)
 Standard shipping lengths:
 No. of roller chain links/box: 320 = 6.096 m (20.0 ft)
 No. of flights/box: 160 = 6.096 m (20.0 ft)

| A | | C | | D | | E | | G | | H | | I | | J | |
|------|------|------|------|------|------|------|------|------|------|------|------|------|------|------|------|
| mm | in | mm | in | mm | in | mm | in | mm | in | mm | in | mm | in | mm | in |
| 29.0 | 1.14 | 44.3 | 1.74 | 12.0 | 0.47 | 5.1 | 0.20 | 34.9 | 1.37 | 25.9 | 1.02 | 75.0 | 2.95 | 54.4 | 2.14 |
| K | | L | | P1 | | P2 | | Q | | T | | V | | | |
| mm | in | mm | in | mm | in | mm | in | mm | in | mm | in | mm | in | | |
| 20.6 | 0.81 | 10.3 | 0.41 | 18.1 | 0.71 | 20.1 | 0.79 | 31.8 | 1.25 | 5.0 | 0.20 | 30.0 | 1.18 | | |

All dimensions are for chains in POM material.

All Snap-On versions can be delivered either with a stainless steel chain (uni 304) or a carbon steel chain.

| | Width (W) | | Recommended flight material & color | Recommended chain material | Weight | | Min. radius R | |
|-------------|-----------|------|------------------------------------------------------------------|-------------------------------------|--------|-------|---------------|----|
| | mm | in | | | kg/m | lb/ft | mm | in |
| K325 | 82.6 | 3.25 | POM-DI G - 01 N POM-LFI BR - 04 K | SS304 or Carbon steel | - | - | - | - |

Non standard material and color: See uni Material and Color Overview.

NON STANDARD

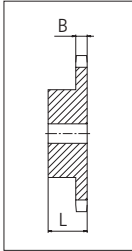
SIDE FLEXING

PITCH 19.1 MM/0.75 IN



Sprocket

| No of teeth | Pitch diameter | | Hub diameter | | Overall width L | | Tooth width B | | Bore | | Machined S1045 |
|-------------|----------------|------|--------------|------|-----------------|------|---------------|------|------|------|----------------|
| | mm | in | mm | in | mm | in | mm | in | mm | in | |
| Z19 | 115.7 | 4.56 | 80.0 | 3.15 | 35.0 | 1.38 | 11.7 | 0.46 | 16.0 | 0.63 | ✓ |
| Z20 | 121.8 | 4.79 | 80.0 | 3.15 | 35.0 | 1.38 | 11.7 | 0.46 | 16.0 | 0.63 | ✓ |
| Z25 | 152.0 | 5.98 | 90.0 | 3.54 | 40.0 | 1.57 | 11.7 | 0.46 | 20.0 | 0.79 | ✓ |



Please ensure that sufficient size shaft and keyway are chosen for corresponding load.

Non standard material and color:
See uni Material and Color Overview.

Other sprocket sizes are available upon request.
uni Retainer Rings: See uni Retainer Ring data sheet.

uni 1873 Grip G3/170922



Expert advice, quality solutions and local service for all your belting needs
www.ammeraalbeltech.com

Ammeraal Beltech Modular A/S
Hjulgagervej 21
DK-7100 Vejle

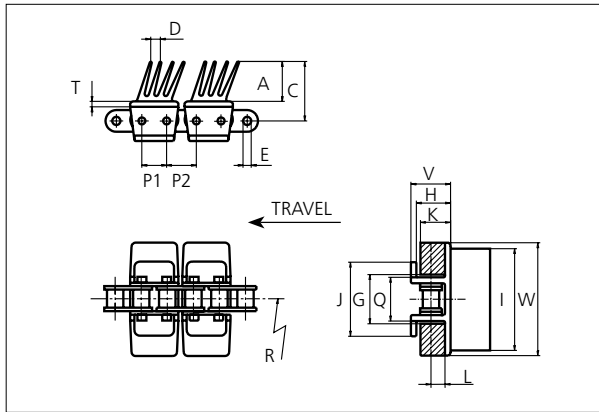
T +45 7572 3100
F +45 7572 3348
admin@unichains.com
www.unichains.com

This information is subject to alteration due to continuous development. Ammeraal Beltech will not be held liable for the incorrect use of the above stated information. This information replaces previous information. All activities performed and services rendered by Ammeraal Beltech are subject to general terms and conditions of sale and delivery, as applied by its operating companies.



Snap-On Plastic Chain

Series **uni 1873** Type **Grip G4**



Snap-On Plastic Chain
 Side flexing chain
 Pitch: 19.1 mm (0.75 in)
 Backflex radius: 150.0 mm (5.90 in)
 Permissible tensile strength:
 uni 1873 Grip G4 (SS304) stainless steel chain: 2000 N (450 lbf)
 uni 1873 Grip G4 carbon steel chain: 4000 N (900 lbf)
 Standard shipping lengths:
 No. of roller chain links/box: 320 = 6.096 m (20.0 ft)
 No. of flights/box: 160 = 6.096 m (20.0 ft)

STANDARD

| A | | C | | D | | E | | G | | H | | I (K325) | | I (K450) | |
|------|------|------|------|------|------|------|------|------|------|------|------|----------|------|----------|------|
| mm | in | mm | in | mm | in | mm | in | mm | in | mm | in | mm | in | mm | in |
| 29.0 | 1.14 | 44.3 | 1.74 | 9.0 | 0.35 | 5.1 | 0.20 | 34.9 | 1.37 | 25.9 | 1.02 | 75.0 | 2.95 | 106.0 | 4.17 |
| J | | K | | L | | P1 | | P2 | | Q | | T | | V | |
| mm | in | mm | in | mm | in | mm | in | mm | in | mm | in | mm | in | mm | in |
| 54.4 | 2.14 | 20.6 | 0.81 | 10.3 | 0.41 | 18.1 | 0.71 | 20.1 | 0.79 | 31.8 | 1.25 | 5.0 | 0.20 | 30.0 | 1.18 |

All dimensions are for chains in POM material.

All Snap-On versions can be delivered either with a stainless steel chain (SS304) or a carbon steel chain.

| | Width (W) | | Flight material & color | Chain material | Weight | | Min. radius R | |
|-------------|-----------|------|-------------------------|-----------------------|--------|-------|---------------|-------|
| | mm | in | | | kg/m | lb/ft | mm | in |
| K325 | 82.6 | 3.25 | POM-LFI BR - 04 K | SS304 or Carbon steel | 3.0 | 2.02 | 356.0 | 14.02 |
| K450 | 114.3 | 4.50 | - | - | - | - | - | - |

Non standard material and color: See uni Material and Color Overview.

SIDE FLEXING

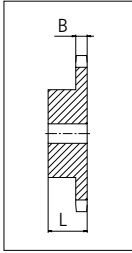
PITCH 19.1 MM/0.75 IN



Sprocket

| No of teeth | Pitch diameter | | Hub diameter | | Overall width L | | Tooth width B | | Bore | | Machined S1045 |
|-------------|----------------|------|--------------|------|-----------------|------|---------------|------|------|------|----------------|
| | mm | in | mm | in | mm | in | mm | in | mm | in | |
| Z19 | 115.7 | 4.56 | 80.0 | 3.15 | 35.0 | 1.38 | 11.7 | 0.46 | 16.0 | 0.63 | ✓ |
| Z20 | 121.8 | 4.79 | 80.0 | 3.15 | 35.0 | 1.38 | 11.7 | 0.46 | 16.0 | 0.63 | ✓ |
| Z25 | 152.0 | 5.98 | 90.0 | 3.54 | 40.0 | 1.57 | 11.7 | 0.46 | 20.0 | 0.79 | ✓ |

Non standard material and color:
See uni Material and Color Overview.



Please ensure that sufficient size shaft and keyway are chosen for corresponding load.

Other sprocket sizes are available upon request.
uni Retainer Rings: See uni Retainer Ring data sheet.

uni 1873 Grip G4/160621



Conveyor Belts



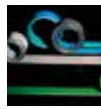
Seamless Belts



Modular Belts



Timing Belts



Transmission Belts



Fabrication & service

Solid advice
For all your belting needs
Local stock & service
www.ammeraalbeltech.com

Ammeraal Beltech Modular A/S
Hjulmagervej 21
DK-7100 Vejle

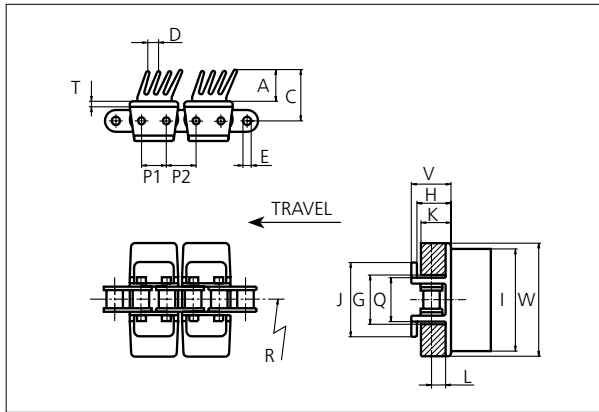
T +45 7572 3100
F +45 7572 3348
admin@unichains.com
www.unichains.com

This information is subject to alteration due to continuous development. Ammeraal Beltech will not be held liable for the incorrect use of the above stated information. This information replaces previous information. All activities performed and services rendered by Ammeraal Beltech are subject to general terms and conditions of sale and delivery, as applied by its operating companies.



Snap-On Plastic Chain

Series **uni 1873** Type **Grip G4L**



Snap-On Plastic Chain
 Side flexing chain
 Pitch: 19.1 mm (0.75 in)
 Backflex radius: 150.0 mm (5.90 in)
 Permissible tensile strength:
 uni 1873 Grip G4L (SS304) stainless steel chain: 2000 N (450 lbf)
 uni 1873 Grip G4L carbon steel chain: 4000 N (900 lbf)
 Standard shipping lengths:
 No. of roller chain links/box: 320 = 6.096 m (20.0 ft)
 No. of flights/box: 160 = 6.096 m (20.0 ft)

STANDARD

| A | | C | | D | | E | | G | | H | | I | | J | |
|------|------|------|------|------|------|------|------|------|------|------|------|------|------|------|------|
| mm | in | mm | in | mm | in | mm | in | mm | in | mm | in | mm | in | mm | in |
| 21.0 | 0.83 | 36.3 | 1.43 | 12.0 | 0.47 | 5.1 | 0.20 | 34.9 | 1.37 | 25.9 | 1.02 | 75.0 | 2.95 | 54.4 | 2.14 |
| K | | L | | P1 | | P2 | | Q | | T | | V | | | |
| mm | in | mm | in | mm | in | mm | in | mm | in | mm | in | mm | in | | |
| 20.6 | 0.81 | 10.3 | 0.41 | 18.1 | 0.71 | 20.1 | 0.79 | 31.8 | 1.25 | 5.0 | 0.20 | 30.0 | 1.18 | | |

All dimensions are for chains in POM material.

All Snap-On versions can be delivered either with a stainless steel chain (SS304) or a carbon steel chain.

| | Width (W) | | Flight material & color | Chain material | Weight | | Min. radius R | |
|-------------|-----------|------|---------------------------------|-------------------------------------|--------|-------|---------------|-------|
| | mm | in | | | kg/m | lb/ft | mm | in |
| K325 | 82.6 | 3.25 | POM-LFI BR - 04 K | SS304 or Carbon steel | 3.2 | 2.15 | 356.0 | 14.02 |

Non standard material and color: See uni Material and Color Overview.

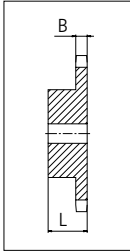
SIDE FLEXING

PITCH 19.1 MM/0.75 IN



Sprocket

| No of teeth | Pitch diameter | | Hub diameter | | Overall width L | | Tooth width B | | Bore | | Machined S1045 |
|-------------|----------------|------|--------------|------|-----------------|------|---------------|------|------|------|----------------|
| | mm | in | mm | in | mm | in | mm | in | mm | in | |
| Z19 | 115.7 | 4.56 | 80.0 | 3.15 | 35.0 | 1.38 | 11.7 | 0.46 | 16.0 | 0.63 | ✓ |
| Z20 | 121.8 | 4.79 | 80.0 | 3.15 | 35.0 | 1.38 | 11.7 | 0.46 | 16.0 | 0.63 | ✓ |
| Z25 | 152.0 | 5.98 | 90.0 | 3.54 | 40.0 | 1.57 | 11.7 | 0.46 | 20.0 | 0.79 | ✓ |



Please ensure that sufficient size shaft and keyway are chosen for corresponding load.

Non standard material and color:
See uni Material and Color Overview.

Other sprocket sizes are available upon request.
uni Retainer Rings: See uni Retainer Ring data sheet.

uni 1873 Grip G4L/160621



Solid advice
For all your belting needs
Local stock & service
www.ammeraalbeltech.com

Ammeraal Beltech Modular A/S
Hjulmagervej 21
DK-7100 Vejle

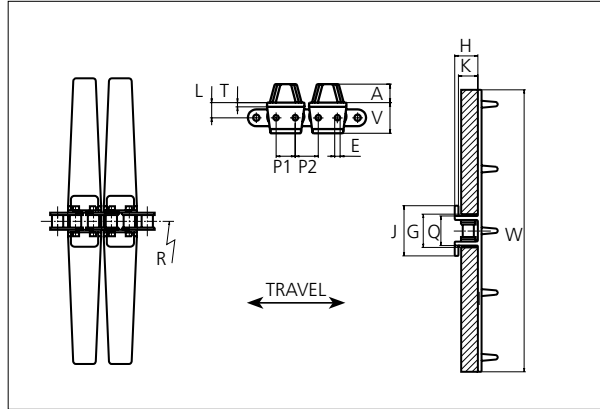
T +45 7572 3100
F +45 7572 3348
admin@unichains.com
www.unichains.com

This information is subject to alteration due to continuous development. Ammeraal Beltech will not be held liable for the incorrect use of the above stated information. This information replaces previous information. All activities performed and services rendered by Ammeraal Beltech are subject to general terms and conditions of sale and delivery, as applied by its operating companies.



Snap-On Plastic Chain

Series **uni 1873** Type **SE**



Snap-On Plastic Chain
 Side flexing chain
 Pitch: 19.1 mm (0.75 in)
 Backflex radius: 150.0 mm (5.90 in)
 Permissible tensile strength:
 uni 1873 SE with (SS304) stainless steel chain: 2000 N (450 lbf)
 uni 1873 SE with carbon steel chain: 4000 N (900 lbf)
 Delivery:
 3.048 m (10 ft)
 No. of links/box: 160
 No. of flights/box: 80

NON STANDARD

| A | | E | | G | | H | | J | | K | |
|------|------|------|------|------|------|------|------|------|------|------|------|
| mm | in | mm | in | mm | in | mm | in | mm | in | mm | in |
| 14.4 | 2.14 | 5.1 | 0.20 | 34.9 | 1.37 | 25.0 | 0.98 | 54.4 | 2.14 | 21.0 | 0.83 |
| L | | P1 | | P2 | | Q | | T | | V | |
| mm | in | mm | in | mm | in | mm | in | mm | in | mm | in |
| 14.3 | 0.56 | 18.1 | 0.71 | 20.1 | 0.79 | 31.8 | 1.25 | 4.0 | 0.16 | 29.0 | 1.14 |

SIDE FLEXING

All dimensions are for chains in POM material.

All Snap-On versions can be delivered either with a stainless steel chain (SS304) or a carbon steel chain.

| | Width (W) | | Recommended flight material & color | Recommended chain material | Weight | | Min. radius R | |
|--------------|-----------|-------|-------------------------------------|-------------------------------------|--------|-------|---------------|-------|
| | mm | in | | | kg/m | lb/ft | mm | in |
| K1200 | 304.8 | 12.00 | POM-DI W | Carbon steel | 3.5 | 2.35 | 457.0 | 17.99 |
| K1200 | 304.8 | 12.00 | POM-DI G | SS304 or Carbon steel | 3.5 | 2.35 | 457.0 | 17.99 |

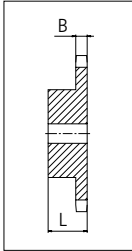
Non standard material and color: See uni Material and Color Overview.

PITCH 19.1 MM/0.75 IN



Sprocket

| No of teeth | Pitch diameter | | Hub diameter | | Overall width L | | Tooth width B | | Bore | | Machined S1045 |
|-------------|----------------|------|--------------|------|-----------------|------|---------------|------|------|------|----------------|
| | mm | in | mm | in | mm | in | mm | in | mm | in | |
| Z19 | 115.7 | 4.56 | 80.0 | 3.15 | 35.0 | 1.38 | 11.7 | 0.46 | 16.0 | 0.63 | x |
| Z20 | 121.8 | 4.79 | 80.0 | 3.15 | 35.0 | 1.38 | 11.7 | 0.46 | 16.0 | 0.63 | x |
| Z25 | 152.0 | 5.98 | 90.0 | 3.54 | 40.0 | 1.57 | 11.7 | 0.46 | 20.0 | 0.79 | x |



Please ensure that sufficient size shaft and keyway are chosen for corresponding load.

Non standard material and color:
See uni Material and Color Overview.

Other sprocket sizes are available upon request.
uni Retainer Rings: See uni Retainer Ring data sheet.

uni 1873 SE/1311



Solid advice
For all your belting needs
Local stock & service
www.ammeraalbeltech.com

Ammeraal Beltech Modular A/S
Hjulmagervej 21
DK-7100 Vejle

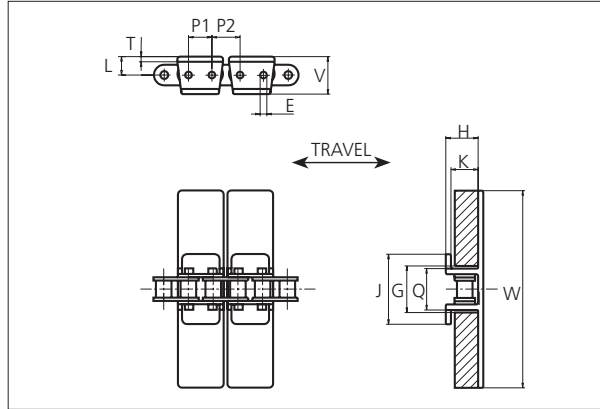
T +45 7572 3100
F +45 7572 3348
admin@unichains.com
www.unichains.com

This information is subject to alteration due to continuous development. Ammeraal Beltech will not be held liable for the incorrect use of the above stated information. This information replaces previous information. All activities performed and services rendered by Ammeraal Beltech are subject to general terms and conditions of sale and delivery, as applied by its operating companies.



Snap-On Plastic Chain

Series **uni 1873** Type **ST**



Snap-On Plastic Chain
 Straight running chain
 Pitch: 19.1 mm (0.75 in)
 Backflex radius: 150.0 mm (5.90 in)
 Permissible tensile strength:
 uni 1873 ST with (SS304) stainless steel chain: 2000 N (450 lbf)
 uni 1873 ST with carbon steel chain: 4000 N (950 lbf)
 Delivery:
 3.05 m (10 ft)
 No. of links/box: 160
 No. of flights/box: 80

| E | | G | | H | | J | | L | | P1 | | P2 | | Q | | T | | V | |
|-----|------|------|------|------|------|------|------|------|------|------|------|------|------|------|------|-----|------|------|------|
| mm | in | mm | in | mm | in | mm | in | mm | in | mm | in | mm | in | mm | in | mm | in | mm | in |
| 5.1 | 0.20 | 34.9 | 1.37 | 25.0 | 0.98 | 54.4 | 2.14 | 14.3 | 0.56 | 18.1 | 0.71 | 20.1 | 0.79 | 31.8 | 1.25 | 4.0 | 0.16 | 29.0 | 1.14 |

All dimensions are for chains in POM material.

All Snap-On versions can be delivered either with a stainless steel chain (SS304) or a carbon steel chain.

| | Width (W) | | Recommended flight material & color | Recommended chain material | Weight | |
|-------------|-----------|------|-------------------------------------|----------------------------|--------|-------|
| | mm | in | | | kg/m | lb/ft |
| K325 | 82.6 | 3.25 | POM-DI G POM-LFI BR | SS304 or Carbon steel | - | - |
| K450 | 114.3 | 4.50 | POM-DI G POM-LFI BR | SS304 or Carbon steel | - | - |
| K600 | 152.4 | 6.00 | POM-DI G POM-LFI BR | SS304 or Carbon steel | - | - |

Non standard material and color: See uni Material and Color Overview.

NON STANDARD

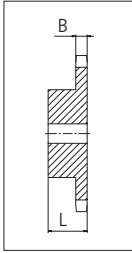
STRAIGHT RUNNING

PITCH 19.1 MM/0.75 IN



Sprocket

| No of teeth | Pitch diameter | | Hub diameter | | Overall width L | | Tooth width B | | Bore | | Machined S1045 |
|-------------|----------------|------|--------------|------|-----------------|------|---------------|------|------|------|----------------|
| | mm | in | mm | in | mm | in | mm | in | mm | in | |
| Z19 | 115.7 | 4.56 | 80.0 | 3.15 | 35.0 | 1.38 | 11.7 | 0.46 | 16.0 | 0.63 | x |
| Z20 | 121.8 | 4.79 | 80.0 | 3.15 | 35.0 | 1.38 | 11.7 | 0.46 | 16.0 | 0.63 | x |
| Z25 | 152.0 | 5.98 | 90.0 | 3.54 | 40.0 | 1.57 | 11.7 | 0.46 | 20.0 | 0.79 | x |



Please ensure that sufficient size shaft and keyway are chosen for corresponding load.

Non standard material and color:
See uni Material and Color Overview.

Other sprocket sizes are available upon request.
uni Retainer Rings: See uni Retainer Ring data sheet.

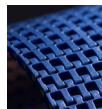
uni 1873 ST/170922



Conveyor Belts



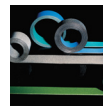
Seamless Belts



Modular Belts



Timing Belts



Transmission Belts



Fabrication & service

Solid advice
For all your belting needs
Local stock & service
www.ammeraalbeltech.com

Ammeraal Beltech Modular A/S
Hjulmagervej 21
DK-7100 Vejle

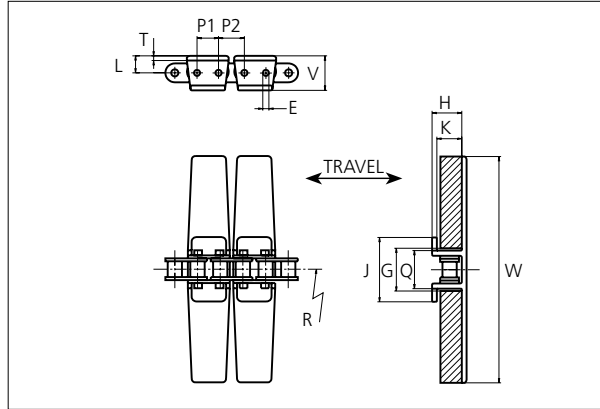
T +45 7572 3100
F +45 7572 3348
admin@unichains.com
www.unichains.com

This information is subject to alteration due to continuous development. Ammeraal Beltech will not be held liable for the incorrect use of the above stated information. This information replaces previous information. All activities performed and services rendered by Ammeraal Beltech are subject to general terms and conditions of sale and delivery, as applied by its operating companies.



Snap-On Plastic Chain

Series **uni 1873** Type -



Snap-On Plastic Chain
 Side flexing chain
 Pitch: 19.1 mm (0.75 in)
 Backflex radius: 150.0 mm (5.90 in)
 Permissible tensile strength:
 uni 1873 with (SS304) stainless steel chain: 2000 N (450 lbf)
 uni 1873 with carbon steel chain: 4000 N (900 lbf)
 Standard shipping lengths:
 No. of roller chain links/box:
 160 = 3.048 m (10.0 ft)
 No. of flights/box:
 80 = 3.048 m (10.0 ft)

STANDARD

| E | | G | | H | | J | | K | | L | | P1 | | P2 | | Q | | T | | V | |
|-----|------|------|------|------|------|------|------|------|------|------|------|------|------|------|------|------|------|-----|------|------|------|
| mm | in | mm | in | mm | in | mm | in | mm | in | mm | in | mm | in | mm | in | mm | in | mm | in | mm | in |
| 5.1 | 0.20 | 34.9 | 1.37 | 25.0 | 0.98 | 54.5 | 2.15 | 21.0 | 0.83 | 14.3 | 0.56 | 18.1 | 0.71 | 20.1 | 0.79 | 31.8 | 1.25 | 4.0 | 0.16 | 29.0 | 1.14 |

All dimensions are for chains in POM material.

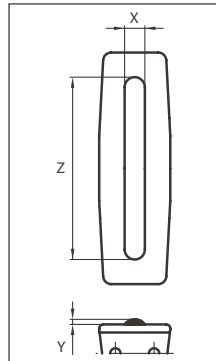
All Snap-On versions can be delivered either with a stainless steel chain (SS304) or a carbon steel chain.

| | Width (W) | | Flight material & color | Chain material | Weight | | Min. radius R | |
|--------------|-----------|-------|-------------------------|-------------------------------------|--------|-------|---------------|-------|
| | mm | in | | | kg/m | lb/ft | mm | in |
| K225 | 57.2 | 2.25 | - | - | - | - | - | - |
| K250 | 63.5 | 2.50 | - | - | - | - | - | - |
| K325 | 82.6 | 3.25 | POM-LFI BR | SS304 or Carbon steel | 2.1 | 1.41 | 356.0 | 14.02 |
| K450 | 114.3 | 4.50 | POM-DI G | SS304 or Carbon steel | 2.3 | 1.55 | 356.0 | 14.02 |
| K600 | 152.4 | 6.00 | - | - | - | - | - | - |
| K750 | 190.5 | 7.50 | - | - | - | - | - | - |
| K1000 | 254.0 | 10.00 | - | - | - | - | - | - |
| K1200 | 304.8 | 12.00 | POM-LFI BR | SS304 or Carbon steel | 3.0 | 2.02 | 457.0 | 17.99 |

Non standard material and color: See uni Material and Color Overview.

Accessories

Rubber Top



When ordering, please state the required distance between the Rubber Top.

Other Non Standard rubber profiles: See uni Rubber Profile Overview.

| Width | Link material | Rubber material | Z | | X | | Y | |
|--------------|-------------------|-----------------|-------|-------|------|------|-----|------|
| | | | mm | in | mm | in | mm | in |
| K325 | POM-LFI BR | 05 I | 60.0 | 2.36 | 10.0 | 0.39 | 2.5 | 0.10 |
| K450 | POM-DI G | 05 I | 90.0 | 3.54 | 10.0 | 0.39 | 2.5 | 0.10 |
| K1200 | POM-LFI BR | 05 I | 295.0 | 11.61 | 8.0 | 0.31 | 2.5 | 0.10 |

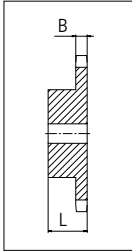
SIDE FLEXING

PITCH 19.1 MM/0.75 IN



Sprocket

| No of teeth | Pitch diameter | | Hub diameter | | Overall width L | | Tooth width B | | Bore | | Machined S1045 |
|-------------|----------------|------|--------------|------|-----------------|------|---------------|------|------|------|----------------|
| | mm | in | mm | in | mm | in | mm | in | mm | in | |
| Z19 | 115.7 | 4.56 | 80.0 | 3.15 | 35.0 | 1.38 | 11.7 | 0.46 | 16.0 | 0.63 | ✓ |
| Z20 | 121.8 | 4.79 | 80.0 | 3.15 | 35.0 | 1.38 | 11.7 | 0.46 | 16.0 | 0.63 | ✓ |
| Z25 | 152.0 | 5.98 | 90.0 | 3.54 | 40.0 | 1.57 | 11.7 | 0.46 | 20.0 | 0.79 | ✓ |



Please ensure that sufficient size shaft and keyway are chosen for corresponding load.

Non standard material and color:
See uni Material and Color Overview.

Other sprocket sizes are available upon request.
uni Retainer Rings: See uni Retainer Ring data sheet.

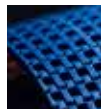
uni 1873/160621



Conveyor Belts



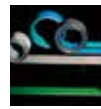
Seamless Belts



Modular Belts



Timing Belts



Transmission Belts



Fabrication & service

Solid advice
For all your belting needs
Local stock & service
www.ammeraalbeltech.com

Ammeraal Beltech Modular A/S
Hjulmagervej 21
DK-7100 Vejle

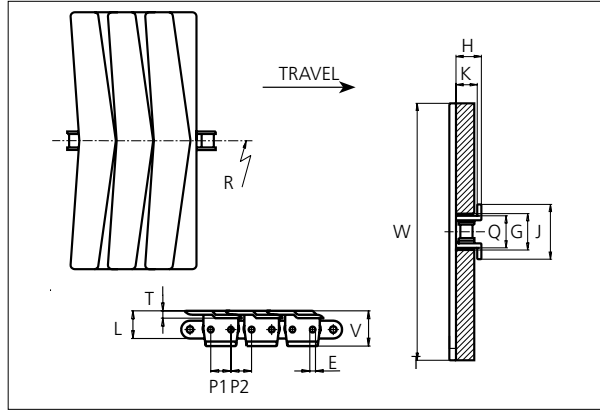
T +45 7572 3100
F +45 7572 3348
admin@unichains.com
www.unichains.com

This information is subject to alteration due to continuous development. Ammeraal Beltech will not be held liable for the incorrect use of the above stated information. This information replaces previous information. All activities performed and services rendered by Ammeraal Beltech are subject to general terms and conditions of sale and delivery, as applied by its operating companies.



Snap-On Plastic Chain

Series **uni 3873** Type -



Snap-On Plastic Chain
 Side flexing chain
 Pitch: 19.1 mm (0.75 in)
 Backflex radius: 150.0 mm (5.90 in)
 Permissible tensile strength:
 uni 3873 with (SS304) stainless steel chain: 2000 N (450 lbf)
 uni 3873 with carbon steel chain: 4000 N (900 lbf)
 Standard shipping lengths:
 No. of roller chain links/box: 160 = 3.048 m (10.0 ft)
 No. of flights/box: 80 = 3.048 m (10.0 ft)

STANDARD

| E | | G | | H | | J | | K | | L | | P1 | | P2 | | Q | | T | | V | |
|-----|------|------|------|------|------|------|------|------|------|------|------|------|------|------|------|------|------|-----|------|------|------|
| mm | in | mm | in | mm | in | mm | in | mm | in | mm | in | mm | in | mm | in | mm | in | mm | in | mm | in |
| 5.1 | 0.20 | 34.9 | 1.37 | 24.9 | 0.98 | 54.2 | 2.13 | 21.0 | 0.83 | 16.6 | 0.65 | 18.1 | 0.71 | 20.1 | 0.79 | 31.8 | 1.25 | 6.6 | 0.26 | 29.0 | 1.14 |

All dimensions are for chains in POM material.

All Snap-On versions can be delivered either with a stainless steel chain (SS304) or a carbon steel chain.

| | Width (W) | | Flight material & color | Chain material | Weight | | Min. radius R | |
|--------------|-----------|-------|-------------------------|-------------------------------------|--------|-------|---------------|-------|
| | mm | in | | | kg/m | lb/ft | mm | in |
| K1000 | 254.0 | 10.00 | POM-LFI BR | SS304 or Carbon steel | 3.5 | 2.35 | 356.0 | 14.02 |

Non standard material and color: See uni Material and Color Overview.

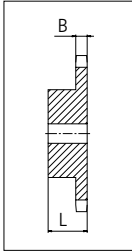
SIDE FLEXING

PITCH 19.1 MM/0.75 IN



Sprocket

| No of teeth | Pitch diameter | | Hub diameter | | Overall width L | | Tooth width B | | Bore | | Machined S1045 |
|-------------|----------------|------|--------------|------|-----------------|------|---------------|------|------|------|----------------|
| | mm | in | mm | in | mm | in | mm | in | mm | in | |
| Z19 | 115.7 | 4.56 | 80.0 | 3.15 | 35.0 | 1.38 | 11.7 | 0.46 | 16.0 | 0.63 | ✓ |
| Z20 | 121.8 | 4.79 | 80.0 | 3.15 | 35.0 | 1.38 | 11.7 | 0.46 | 16.0 | 0.63 | ✓ |
| Z25 | 152.0 | 5.98 | 90.0 | 3.54 | 40.0 | 1.57 | 11.7 | 0.46 | 20.0 | 0.79 | ✓ |



Please ensure that sufficient size shaft and keyway are chosen for corresponding load.

Non standard material and color:
See uni Material and Color Overview.

Other sprocket sizes are available upon request.
uni Retainer Rings: See uni Retainer Ring data sheet.

uni 3873/160621



Solid advice
For all your belting needs
Local stock & service
www.ammeraalbeltech.com

Ammeraal Beltech Modular A/S
Hjulmagervej 21
DK-7100 Vejle

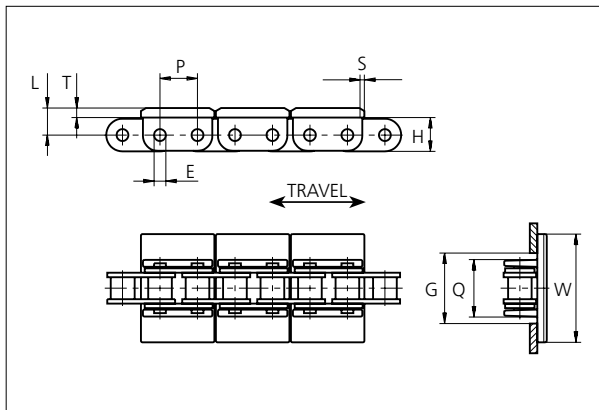
T +45 7572 3100
F +45 7572 3348
admin@unichains.com
www.unichains.com

This information is subject to alteration due to continuous development. Ammeraal Beltech will not be held liable for the incorrect use of the above stated information. This information replaces previous information. All activities performed and services rendered by Ammeraal Beltech are subject to general terms and conditions of sale and delivery, as applied by its operating companies.



Snap-On Plastic Chain

Series **uni 843** Type **SK**



Snap-On Plastic Chain
 Straight running chain
 Pitch: 12.7 mm (0.50 in)
 Backflex radius:
 K138: 250.0 mm (9.80 in)
 K200: 150.0 mm (5.90 in)
 Permissible tensile strength:
 uni 843 SK with (SS304) stainless steel chain: 1500 N (340 lbf)
 uni 843 SK with carbon steel chain: 2000 N (450 lbf)
 Standard shipping lengths:
 No. of roller chain links/box:
 480 = 6.096 m (20.0 ft)
 No. of flights/box:
 240 = 6.096 m (20.0 ft)

| | E | | G | | H | | L | | P | | Q | | S | | T | |
|-------------|-----|------|------|------|------|------|-----|------|------|------|------|------|-----|------|-----|------|
| | mm | in | mm | in | mm | in | mm | in | mm | in | mm | in | mm | in | mm | in |
| K138 | 4.0 | 0.16 | 20.5 | 0.81 | 11.5 | 0.45 | 9.1 | 0.36 | 12.7 | 0.50 | 19.1 | 0.75 | 2.0 | 0.08 | 3.2 | 0.13 |
| K200 | 4.0 | 0.16 | 20.5 | 0.81 | 11.5 | 0.45 | 9.1 | 0.36 | 12.7 | 0.50 | 19.1 | 0.75 | 4.0 | 0.16 | 3.2 | 0.13 |

All dimensions are for chains in POM material.

All Snap-On versions can be delivered either with a stainless steel chain (SS304) or a carbon steel chain.

| | Width (W) | | Flight material & color | Chain material | Weight | |
|-------------|-----------|------|-------------------------|-------------------------------------|--------|-------|
| | mm | in | | | kg/m | lb/ft |
| K138 | 34.9 | 1.37 | POM-DI G | SS304 or Carbon steel | 0.9 | 0.60 |
| K200 | 50.8 | 2.00 | POM-LFI BR | SS304 or Carbon steel | 0.9 | 0.60 |

Non standard material and color: See uni Material and Color Overview.

STANDARD

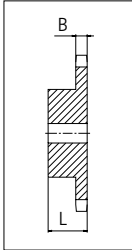
STRAIGHT RUNNING

PITCH 12.7 MM/0.50 IN



Sprocket

| No. of teeth | Pitch diameter | | Hub diameter | | Overall width L | | Tooth width B | | tBore | |
|--------------|----------------|------|--------------|------|-----------------|------|---------------|------|-------|------|
| | mm | in | mm | in | mm | in | mm | in | mm | in |
| Z18 | 73.1 | 2.88 | 56.0 | 2.20 | 28.0 | 1.10 | 7.2 | 0.28 | 12.0 | 0.47 |
| Z25 | 101.3 | 3.99 | 70.0 | 2.76 | 28.0 | 1.10 | 7.2 | 0.28 | 14.0 | 0.55 |



Please ensure that sufficient size shaft and keyway are chosen for corresponding load.

Non standard material and color:
See uni Material and Color Overview.

Other sprocket sizes are available upon request
uni Retainer Rings: See uni Retainer Ring data sheet

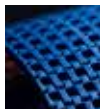
uni 843 SK/180302



Conveyor Belts



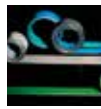
Seamless Belts



Modular Belts



Timing Belts



Transmission Belts



Fabrication & service

Solid advice
For all your belting needs
Local stock & service
www.ammeraalbeltech.com

Ammeraal Beltech Modular A/S
Hjulmagervej 21
DK-7100 Vejle

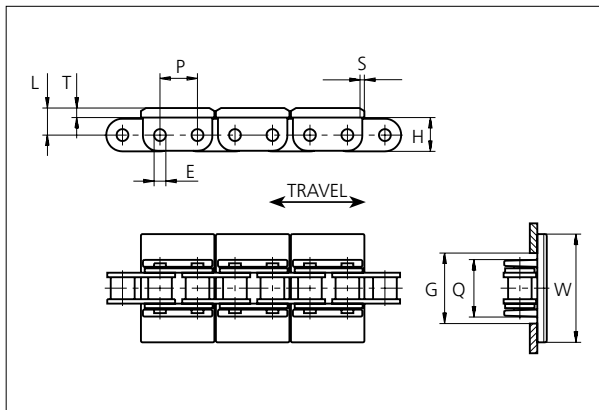
T +45 7572 3100
F +45 7572 3348
admin@unichains.com
www.unichains.com

This information is subject to alteration due to continuous development. Ammeraal Beltech will not be held liable for the incorrect use of the above stated information. This information replaces previous information. All activities performed and services rendered by Ammeraal Beltech are subject to general terms and conditions of sale and delivery, as applied by its operating companies.



Snap-On Plastic Chain

Series **uni 843** Type **SKR**



Snap-On Plastic Chain
 Straight running chain
 Pitch: 12.7 mm (0.50 in)
 Backflex radius:
 K138: 250.0 mm (9.80 in)
 K250: 150.0 mm (5.90 in)
 Permissible tensile strength:
 SS304: 1500 N (340 lbf)
 carbon steel: 2000 N (450 lbf)

Standard shipping lengths:
 No. of roller chain links/box:
 480 = 6.096 m (20.0 ft)
 120 of flights/box:
 120 = 6.096 m (20.0 ft)

| | E | | G | | H | | L | | P | | Q | | S | | T | |
|-------------|-----|------|------|------|------|------|-----|------|------|------|------|------|------|------|-----|------|
| | mm | in | mm | in | mm | in | mm | in | mm | in | mm | in | mm | in | mm | in |
| K138 | 4.0 | 0.16 | 20.5 | 0.81 | 11.5 | 0.45 | 9.1 | 0.36 | 12.7 | 0.50 | 19.1 | 0.75 | R3.0 | 0.12 | 3.2 | 0.13 |
| K250 | 4.0 | 0.16 | 20.5 | 0.81 | 11.5 | 0.45 | 9.1 | 0.36 | 12.7 | 0.50 | 19.1 | 0.75 | R3.0 | 0.12 | 3.2 | 0.13 |

All dimensions are for chains in POM material.

All Snap-On versions can be delivered either with a stainless steel chain (SS304) or a carbon steel chain.

| | Width (W) | | Recommended flight material & color | Recommended chain material | Weight | |
|-------------|-----------|------|-------------------------------------|----------------------------|--------|-------|
| | mm | in | | | kg/m | lb/ft |
| K138 | 34.9 | 1.37 | POM-DI G | SS304 or Carbon steel | 0.9 | 0.60 |
| K250 | 63.5 | 2.50 | POM-LFI BR | SS304 or Carbon steel | 0.9 | 0.60 |

Non standard material and color: See uni Material and Color Overview.

NON STANDARD

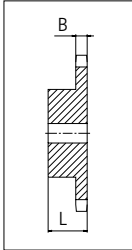
STRAIGHT RUNNING

PITCH 12.7 MM/0.50 IN



Sprocket

| No. of teeth | Pitch diameter | | Hub diameter | | Overall width L | | Tooth width B | | tBore | |
|--------------|----------------|------|--------------|------|-----------------|------|---------------|------|-------|------|
| | mm | in | mm | in | mm | in | mm | in | mm | in |
| Z18 | 73.1 | 2.88 | 56.0 | 2.20 | 28.0 | 1.10 | 7.2 | 0.28 | 12.0 | 0.47 |
| Z25 | 101.3 | 3.99 | 70.0 | 2.76 | 28.0 | 1.10 | 7.2 | 0.28 | 14.0 | 0.55 |



Please ensure that sufficient size shaft and keyway are chosen for corresponding load.

Non standard material and color:
See uni Material and Color Overview.

Other sprocket sizes are available upon request
uni Retainer Rings: See uni Retainer Ring data sheet

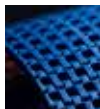
uni 843 SKR/180302



Conveyor Belts



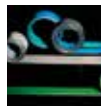
Seamless Belts



Modular Belts



Timing Belts



Transmission Belts



Fabrication & service

Expert advice, quality solutions and local service for all your belting needs
www.ammeraalbeltech.com

Ammeraal Beltech Modular A/S
Hjulmagervej 21
DK-7100 Vejle

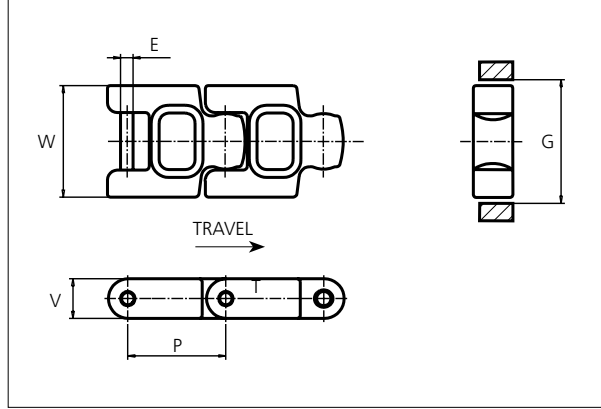
T +45 7572 3100
F +45 7572 3348
admin@unichains.com
www.unichains.com

This information is subject to alteration due to continuous development. Ammeraal Beltech will not be held liable for the incorrect use of the above stated information. This information replaces previous information. All activities performed and services rendered by Ammeraal Beltech are subject to general terms and conditions of sale and delivery, as applied by its operating companies.



Special Plastic Chain

Series **uni 3200** Type -



Special Plastic Chain
 Straight running chain
 Pitch: 50.8 mm (2.00 in)
 Backflex radius:
 60.0 mm (2.40 in)
 Permissible tensile strength:
 POM material:
 3150 N (708 lbf)

 Standard shipping lengths:
 boxes of 120 links
 = 6.096 m (20.0 ft)

STANDARD

| E | | G | | P | | V | |
|-----|------|------|------|------|------|------|------|
| mm | in | mm | in | mm | in | mm | in |
| 6.4 | 0.25 | 59.5 | 2.34 | 50.8 | 2.00 | 20.3 | 0.80 |

All dimensions are for chains in POM material.

| Width (W) | | Material & color | Pin material | Weight | |
|-----------|------|------------------|--------------|--------|-------|
| mm | in | | | kg/m | lb/ft |
| 57.2 | 2.25 | POM-DI G | SS304 | 57.2 | 2.25 |


Non standard material and color: See uni Material and Color Overview.
 Non standard pin material: See uni Material and Color Overview.

STRAIGHT RUNNING

PITCH 50.8 MM/2.00 IN

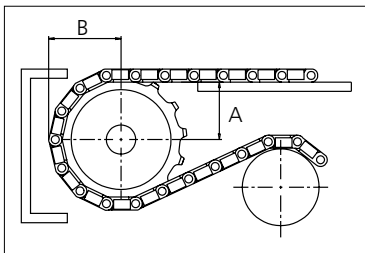


Sprocket

| No of teeth | Pitch diameter | | Overall-diameter | | Min. ø bore | | Max. ø bore | | Hub-diameter | | Dimension A | | Dimension B | |  Machined PAG |
|-------------|----------------|------|------------------|------|-------------|------|-------------|------|--------------|------|-------------|------|-------------|------|-----------------------------------------------------------------------------------------------------|
| | mm | in | mm | in | mm | in | mm | in | mm | in | mm | in | mm | in | |
| Z8 | 132.9 | 5.23 | 134.0 | 5.30 | 19.1 | 0.80 | 40.0 | 1.60 | 65.0 | 2.60 | 51.2 | 2.00 | 79.6 | 3.10 | ✓ |
| Z10 | 164.5 | 6.48 | 160.0 | 6.30 | 19.1 | 0.80 | 40.0 | 1.60 | 65.0 | 2.60 | 68.0 | 2.70 | 92.4 | 3.60 | ✓ |
| Z10 | 164.5 | 6.48 | 160.0 | 6.30 | 40.0 | 1.60 | 70.0 | 2.80 | 120.0 | 4.70 | 68.0 | 2.70 | 92.4 | 3.60 | ✓ |
| Z12 | 194.4 | 7.65 | 204.0 | 8.00 | 19.1 | 0.80 | 40.0 | 1.60 | 65.0 | 2.60 | 84.7 | 3.30 | 108.4 | 4.30 | ✓ |
| Z12 | 194.4 | 7.65 | 204.0 | 8.00 | 40.0 | 1.60 | 70.0 | 2.80 | 120.0 | 4.70 | 84.7 | 3.30 | 108.4 | 4.30 | ✓ |
| Z15 | 244.4 | 9.62 | 250.0 | 9.80 | 19.1 | 0.80 | 40.0 | 1.60 | 65.0 | 2.60 | 109.4 | 4.30 | 132.4 | 5.20 | ✓ |
| Z15 | 244.4 | 9.62 | 250.0 | 9.80 | 40.0 | 1.60 | 70.0 | 2.80 | 120.0 | 4.70 | 109.4 | 4.30 | 132.4 | 5.20 | ✓ |

Non standard material and color:
See uni Material and Color Overview.

Machined sprocket



Please ensure that sufficient size shaft and keyway are chosen for corresponding load.

Other sprocket sizes are available upon request
Width of tooth: 25.0 mm/1.00 in
Width of sprocket: 42.3 mm/1.70 in
uni Retainer Rings: See uni Retainer Ring data sheet

uni 3200/160621



Solid advice
For all your belting needs
Local stock & service
www.ammeraalbeltech.com

Ammeraal Beltech Modular A/S
Hjulmagervej 21
DK-7100 Vejle

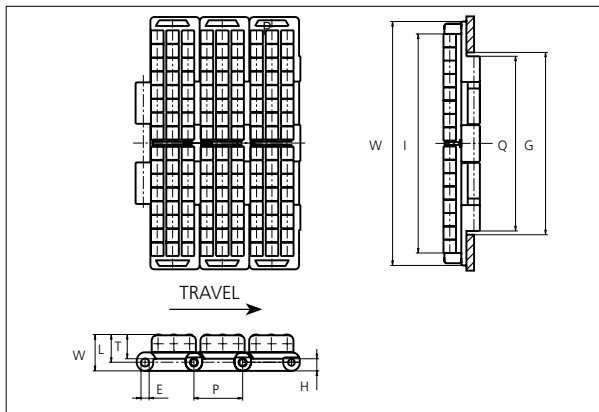
T +45 7572 3100
F +45 7572 3348
admin@unichains.com
www.unichains.com

This information is subject to alteration due to continuous development. Ammeraal Beltech will not be held liable for the incorrect use of the above stated information. This information replaces previous information. All activities performed and services rendered by Ammeraal Beltech are subject to general terms and conditions of sale and delivery, as applied by its operating companies.



Special Plastic Chain

Series **uni 821** Type **PRR**



Special Plastic Chain
 Straight running chain
 Pitch: 38.1 mm (1.50 in)
 Backflex radius: 225.0 mm (8.90 in)
 Permissible tensile strength:
 POM material: 3000 N (674 lbf)

 Standard shipping lengths:
 boxes of 80 links
 = 3.048 m (10.0 ft)

 Axle materials for ø5.0 mm
 (0.20 in) accumulation rollers: See
 uni Material and Color Overview.

STANDARD

| E | | G | | H | | I (K750) | | I (K1000) | | I (K1200) | | L | | P | | Q | | T | | V | |
|-----|------|-------|------|-----|------|----------|------|-----------|------|-----------|-------|------|------|------|------|-------|------|------|------|------|------|
| mm | in | mm | in | mm | in | mm | in | mm | in | mm | in | mm | in | mm | in | mm | in | mm | in | mm | in |
| 6.4 | 0.25 | 140.0 | 5.51 | 9.5 | 0.37 | 174.5 | 6.87 | 238.0 | 9.37 | 288.8 | 11.37 | 22.2 | 0.87 | 38.1 | 1.50 | 136.5 | 5.37 | 19.0 | 0.75 | 28.5 | 1.12 |

All dimensions are for chains in POM material.

| | Width (W) | | Base material & color | Roller material & color | Pin material | Weight | |
|--------------|-----------|-------|-----------------------|-------------------------|--------------|--------|-------|
| | mm | in | | | | kg/m | lb/ft |
| K750 | 190.5 | 7.50 | POM-LF BR | POM-LF BR | SS304 | 5.1 | 3.43 |
| K1000 | 254.0 | 10.00 | - | - | - | - | - |
| K1200 | 304.8 | 12.00 | POM-LF BR | POM-LF BR | SS304 | 8.3 | 5.58 |

Non standard material and color: See uni Material and Color Overview.

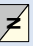
Non standard pin material: See uni Material and Color Overview.

STRAIGHT RUNNING


PITCH 38.1 MM/1.50 IN



Sprocket

| No. of teeth | Pitch diameter | | Overall diameter | | Min. ø bore | | Max. ø bore | | Hub diameter | | Dimension A | | Dimension B | | Machined  PAG |
|--------------|----------------|------|------------------|------|-------------|------|-------------|------|--------------|----|-------------|------|-------------|------|--------------------------------------------------------------------------------------------------|
| | mm | in | mm | in | mm | in | mm | in | mm | in | mm | in | mm | in | |
| Z19 | 117.3 | 4.62 | 117.0 | 4.61 | 20.0 | 0.79 | 70.0 | 2.76 | 0 | 0 | 58.7 | 2.31 | 64.5 | 2.54 | ✓ |
| Z21 | 129.2 | 5.09 | 130.0 | 5.12 | 20.0 | 0.79 | 70.0 | 2.76 | 0 | 0 | 65.0 | 2.56 | 70.5 | 2.78 | ✓ |
| Z23 | 141.2 | 5.56 | 142.0 | 5.59 | 20.0 | 0.79 | 70.0 | 2.76 | 0 | 0 | 71.2 | 2.80 | 76.5 | 3.01 | ✓ |
| Z25 | 153.2 | 6.03 | 155.0 | 6.10 | 20.0 | 0.79 | 70.0 | 2.76 | 0 | 0 | 77.4 | 3.05 | 82.5 | 3.25 | ✓ |
| Z27 | 165.2 | 6.50 | 167.0 | 6.57 | 20.0 | 0.79 | 100.0 | 3.93 | 0 | 0 | 83.6 | 3.29 | 88.5 | 3.48 | ✓ |
| Z29 | 177.2 | 6.98 | 179.0 | 7.05 | 20.0 | 0.79 | 110.0 | 4.33 | 0 | 0 | 89.8 | 3.54 | 94.6 | 3.72 | ✓ |
| Z31 | 189.3 | 7.45 | 192.0 | 7.56 | 20.0 | 0.79 | 120.0 | 4.72 | 0 | 0 | 95.9 | 3.78 | 100.6 | 3.96 | ✓ |

Two part sprocket

| No. of teeth | Pitch diameter | | Overall diameter | | Min. ø bore | | Max. ø bore | | Hub diameter | | Dimension A | | Dimension B | | Molded  PAG |
|--------------|----------------|------|------------------|------|-------------|------|-------------|------|--------------|------|-------------|------|-------------|------|------------------------------------------------------------------------------------------------|
| | mm | in | mm | in | mm | in | mm | in | mm | in | mm | in | mm | in | |
| Z25 | 153.2 | 6.03 | 155.0 | 6.10 | 30.0 | 1.18 | 40.0 | 1.57 | 58.0 | 2.28 | 77.4 | 3.05 | 82.5 | 3.25 | ✓ |

Non standard material and color:
See uni Material and Color Overview.

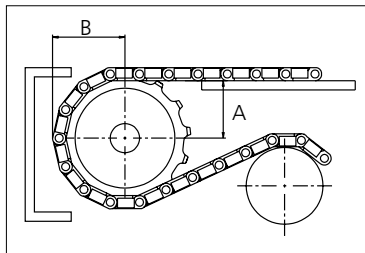
Cast iron sprocket



Machined sprocket



Molded two part sprocket



Please ensure that sufficient size shaft and keyway are chosen for corresponding load.

Other sprocket sizes are available upon request

Width of tooth: 79.4 mm/3.13 in

Width of sprocket: 79.4 mm/3.13 in

uni Retainer Rings: See uni Retainer Ring data sheet

uni Idler: See uni Idler data sheet

uni Guide Rings can be mounted on cast iron and machined sprockets. See uni Guide Rings data sheet

uni 821 PRR/160621



Conveyor Belts



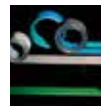
Seamless Belts



Modular Belts



Timing Belts



Transmission Belts



Fabrication & service

Expert advice, quality solutions and local service for all your belting needs
www.ammeraalbeltech.com

Ammeraal Beltech Modular A/S
Hjulmagervej 21
DK-7100 Vejle

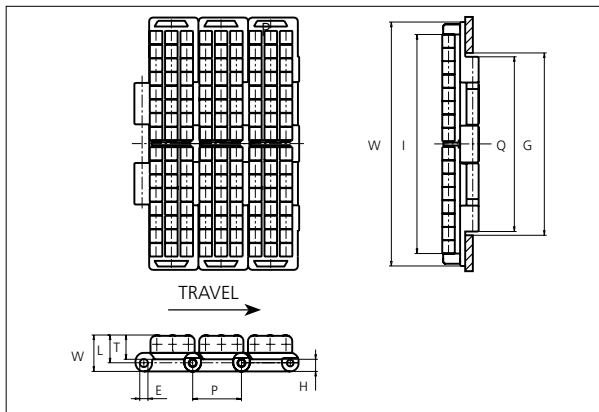
T +45 7572 3100
F +45 7572 3348
admin@unichains.com
www.unichains.com

This information is subject to alteration due to continuous development. Ammeraal Beltech will not be held liable for the incorrect use of the above stated information. This information replaces previous information. All activities performed and services rendered by Ammeraal Beltech are subject to general terms and conditions of sale and delivery, as applied by its operating companies.



Special Plastic Chain

Series **uni 821** Type **PRR4**



Special Plastic Chain
 Straight running chain
 Pitch: 38.1 mm (1.50 in)
 Backflex radius: 225.0 mm (8.90 in)
 Permissible tensile strength:
 POM material: 3000 N (674 lbf)

 Standard shipping lengths:
 boxes of 80 links
 = 3.048 m (10.0 ft)

 Axle materials for ø5.0 mm (0.20 in) accumulation rollers:
 See uni Material and Color Overview.

| E | | G | | H | | I (K750) | | I (K1000) | | I (K1200) | | L | | P | | Q | | T | | V | |
|-----|------|-------|------|-----|------|----------|------|-----------|------|-----------|-------|------|------|------|------|-------|------|------|------|------|------|
| mm | in | mm | in | mm | in | mm | in | mm | in | mm | in | mm | in | mm | in | mm | in | mm | in | mm | in |
| 6.4 | 0.25 | 140.0 | 5.51 | 9.5 | 0.37 | 174.5 | 6.87 | 238.0 | 9.37 | 288.8 | 11.37 | 22.2 | 0.87 | 38.1 | 1.50 | 136.5 | 5.37 | 19.0 | 0.75 | 28.5 | 1.12 |

All dimensions are for chains in POM material.

| | Width (W) | | Recommended base material & color | Recommended roller material & color | Recommended pin material | Weight | |
|--------------|-----------|-------|-----------------------------------|-------------------------------------|--------------------------|--------|-------|
| | mm | in | | | | kg/m | lb/ft |
| K750 | 190.5 | 7.50 | POM-LF BR | POM-D K | SS304 | 6.9 | 4.64 |
| K1000 | 254.0 | 10.00 | POM-LF BR | POM-D K | SS304 | 8.8 | 5.91 |
| K1200 | 304.8 | 12.00 | POM-LF BR | POM-D K | SS304 | 10.2 | 6.85 |

Non standard material and color: See uni Material and Color Overview.

Non standard pin material: See uni Material and Color Overview.

NON STANDARD

STRAIGHT RUNNING

PITCH 38.1 MM/1.50 IN



Sprocket

| No. of teeth | Pitch diameter | | Overall diameter | | Min. ø bore | | Max. ø bore | | Hub diameter | | Dimension A | | Dimension B | | Molded Cast Iron | Machined PA6 |
|--------------|----------------|------|------------------|------|-------------|------|-------------|------|--------------|----|-------------|------|-------------|------|------------------|--------------|
| | mm | in | mm | in | mm | in | mm | in | mm | in | mm | in | mm | in | | |
| Z19 | 117.3 | 4.62 | 117.0 | 4.61 | 20.0 | 0.79 | 70.0 | 2.76 | 0 | 0 | 58.7 | 2.31 | 64.5 | 2.54 | ✓ | ✓ |
| Z21 | 129.2 | 5.09 | 130.0 | 5.12 | 20.0 | 0.79 | 70.0 | 2.76 | 0 | 0 | 65.0 | 2.56 | 70.5 | 2.78 | ✓ | ✓ |
| Z23 | 141.2 | 5.56 | 142.0 | 5.59 | 20.0 | 0.79 | 70.0 | 2.76 | 0 | 0 | 71.2 | 2.80 | 76.5 | 3.01 | ✓ | ✓ |
| Z25 | 153.2 | 6.03 | 155.0 | 6.10 | 20.0 | 0.79 | 70.0 | 2.76 | 0 | 0 | 77.4 | 3.05 | 82.5 | 3.25 | ✓ | ✓ |
| Z27 | 165.2 | 6.50 | 167.0 | 6.57 | 20.0 | 0.79 | 100.0 | 3.93 | 0 | 0 | 83.6 | 3.29 | 88.5 | 3.48 | ✓ | ✓ |
| Z29 | 177.2 | 6.98 | 179.0 | 7.05 | 20.0 | 0.79 | 110.0 | 4.33 | 0 | 0 | 89.8 | 3.54 | 94.6 | 3.72 | ✓ | ✓ |
| Z31 | 189.3 | 7.45 | 192.0 | 7.56 | 20.0 | 0.79 | 120.0 | 4.72 | 0 | 0 | 95.9 | 3.78 | 100.6 | 3.96 | ✓ | ✓ |

Two part sprocket

| No. of teeth | Pitch diameter | | Overall diameter | | Min. ø bore | | Max. ø bore | | Hub diameter | | Dimension A | | Dimension B | | Molded PA6 LG |
|--------------|----------------|------|------------------|------|-------------|------|-------------|------|--------------|------|-------------|------|-------------|------|---------------|
| | mm | in | mm | in | mm | in | mm | in | mm | in | mm | in | mm | in | |
| Z25 | 153.2 | 6.03 | 155.0 | 6.10 | 30.0 | 1.18 | 40.0 | 1.57 | 58.0 | 2.28 | 77.4 | 3.05 | 82.5 | 3.25 | ✓ |

Cast iron sprocket



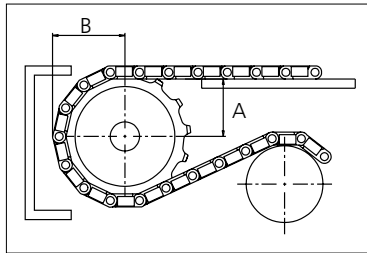
Machined sprocket



Molded two part sprocket



Non standard material and color:
See uni Material and Color Overview.



Please ensure that sufficient size shaft and keyway are chosen for corresponding load.

Other sprocket sizes are available upon request

Width of tooth: 79.4 mm/3.13 in

Width of sprocket: 79.4 mm/3.13 in

uni Retainer Rings: See uni Retainer Ring data sheet

uni Idler: See uni Idler data sheet

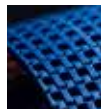
uni Guide Rings can be mounted on cast iron and machined sprockets. See uni Guide Rings data sheet



Conveyor Belts



Seamless Belts



Modular Belts



Timing Belts



Transmission Belts



Fabrication & service

Expert advice, quality solutions and local service for all your belting needs
www.ammeraalbeltech.com

Ammeraal Beltech Modular A/S
Hjulmagervej 21
DK-7100 Vejle

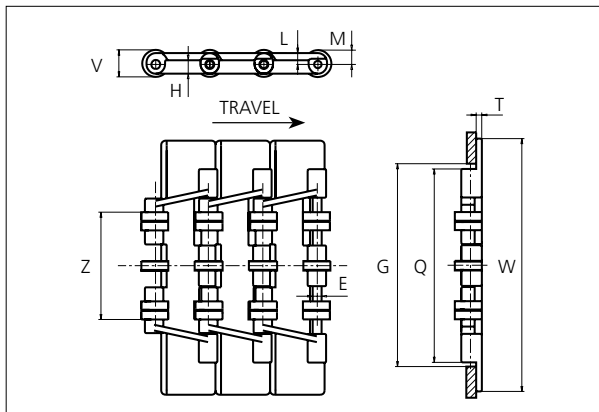
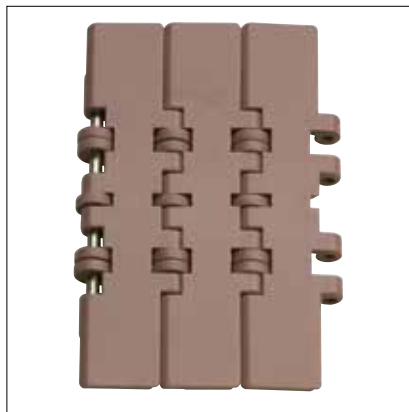
T +45 7572 3100
F +45 7572 3348
admin@unichains.com
www.unichains.com

This information is subject to alteration due to continuous development. Ammeraal Beltech will not be held liable for the incorrect use of the above stated information. This information replaces previous information. All activities performed and services rendered by Ammeraal Beltech are subject to general terms and conditions of sale and delivery, as applied by its operating companies.



Special Plastic Chain

Series **uni 821** Type **RO**



Special Plastic Chain
 Straight running chain
 Pitch: 38.1 mm (1.50 in)
 Backflex radius:
 75.0 mm (3.00 in)
 Permissible tensile strength:
 POM material:
 2500 N (562 lbf)

 Standard shipping lengths:
 boxes of 80 links
 = 3.048 m (10.0 ft)

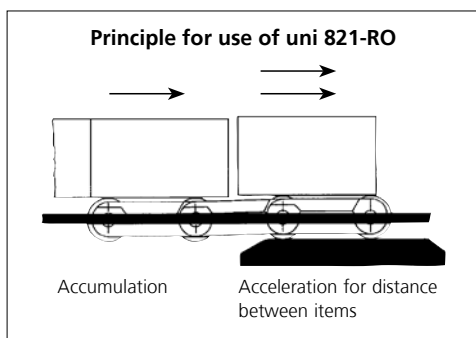
| E | | G | | H | | L | | M | | P | | Q | | T | | V | | Z | |
|-----|------|-------|------|-----|------|-----|------|-----|------|------|------|-------|------|-----|------|------|------|------|------|
| mm | in | mm | in | mm | in | mm | in | mm | in | mm | in | mm | in | mm | in | mm | in | mm | in |
| 6.4 | 0.25 | 140.0 | 5.51 | 9.5 | 0.37 | 8.0 | 0.31 | 9.5 | 0.37 | 38.1 | 1.50 | 136.5 | 5.37 | 5.0 | 0.20 | 19.0 | 0.75 | 75.0 | 2.95 |

All dimensions are for chains in POM material.

| | Width (W) | | Recommended material & color | Recommended roller material & color | Recommended pin material | Weight | |
|-------------|-----------|------|------------------------------|-------------------------------------|--------------------------|--------|-------|
| | mm | in | | | | kg/m | lb/ft |
| K750 | 190.5 | 7.50 | POM-LF BR | POM-LF BR | SS304 | 2.6 | 1.75 |

Non standard material and color: See uni Material and Color Overview.

Non standard pin material: See uni Material and Color Overview.



NON STANDARD

STRAIGHT RUNNING

PITCH 38.1 MM/1.50 IN

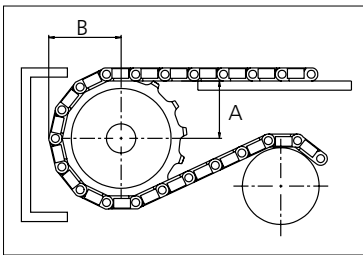


Sprocket

| No. of teeth | Pitch diameter | | Overall diameter | | Min. ø bore | | Max. ø bore | | Hub diameter | | Dimension A | | Dimension B | | Machined <input checked="" type="checkbox"/> PAG |
|--------------|----------------|------|------------------|------|-------------|------|-------------|------|--------------|----|-------------|------|-------------|------|--------------------------------------------------|
| | mm | in | mm | in | mm | in | mm | in | mm | in | mm | in | mm | in | |
| Z21 | 129.2 | 5.09 | 130.0 | 5.12 | 18.0 | 0.71 | 70.0 | 2.76 | 0 | 0 | 65.0 | 2.56 | 71.8 | 2.83 | ✓ |

Non standard material and color:
See uni Material and Color Overview.

Molded sprocket



Please ensure that sufficient size shaft and keyway are chosen for corresponding load.

Other sprocket sizes are available upon request
Width of tooth: 13.8 mm/0.54 in
Width of sprocket: 135.0 mm/5.30 in
uni Retainer Rings: See uni Retainer Ring data sheet

uni 821 RO/160624



Expert advice, quality solutions and local service for all your belting needs
www.ammeraalbeltech.com

Ammeraal Beltech Modular A/S
Hjulmagervej 21
DK-7100 Vejle

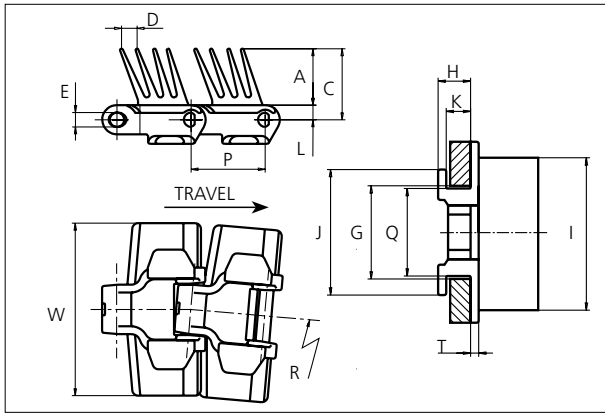
T +45 7572 3100
F +45 7572 3348
admin@unichains.com
www.unichains.com

This information is subject to alteration due to continuous development. Ammeraal Beltech will not be held liable for the incorrect use of the above stated information. This information replaces previous information. All activities performed and services rendered by Ammeraal Beltech are subject to general terms and conditions of sale and delivery, as applied by its operating companies.



Special Plastic Chain

Series **uni 879** Type **Tab R G4**



Special Plastic Chain
 Side flexing chain
 Pitch: 38.1 mm (1.50 in)
 Backflex radius:
 200 mm (7.87 in)
 Permissible tensile strength:
 POM material:
 2250 N (506 lbf)

 Standard shipping lengths:
 boxes of 80 links
 = 3.048 m (10.0 ft)

STANDARD

| A | | C | | D | | E | | G | | H | | I | | J | | K | | L | | P | | Q | | T | |
|------|------|------|------|-----|------|-----|------|------|------|------|------|------|------|------|------|------|------|-----|------|------|------|------|------|-----|------|
| mm | in | mm | in | mm | in | mm | in | mm | in | mm | in | mm | in | mm | in | mm | in | mm | in | mm | in | mm | in | mm | in |
| 29.0 | 1.14 | 37.5 | 1.48 | 9.0 | 0.36 | 7.1 | 0.28 | 44.5 | 1.75 | 15.9 | 0.63 | 75.0 | 2.95 | 61.5 | 2.42 | 11.9 | 0.47 | 8.5 | 0.33 | 38.1 | 1.50 | 42.9 | 1.69 | 5.0 | 0.20 |

All dimensions are for chains in POM material.

| | Width (W) | | Recommended material & color | Pin material | Weight | | Min. radius (R) | |
|-------------|-----------|------|------------------------------|--------------|--------|-------|-----------------|------|
| | mm | in | | | kg/m | lb/ft | mm | in |
| K325 | 82.6 | 3.25 | POM-LF BR 04 K | SS304 | 1.3 | 0.87 | 200 | 7.87 |

Non standard material and color. See uni Material and Color Overview.
 Non standard pin material: See uni Material and Color Overview.

SIDE FLEXING

PITCH 38.1 MM/1.50 IN



Sprocket

| No. of teeth | Pitch diameter | | Overall diameter | | Min. ø bore | | Max. ø bore | | Hub diameter | | Dimension A | | Dimension B | | Molded PA6 LG | Molded Cast Iron |
|--------------|----------------|------|------------------|------|-------------|------|-------------|------|--------------|------|-------------|------|-------------|------|---------------|------------------|
| | mm | in | mm | in | mm | in | mm | in | mm | in | mm | in | mm | in | | |
| Z9 | 111.4 | 4.39 | 109.7 | 4.32 | 20.0 | 0.80 | 40.0 | 1.60 | 70.0 | 2.76 | 55.9 | 2.20 | 63.2 | 2.49 | ✓ | ✓ |
| Z10 | 123.3 | 4.85 | 122.3 | 4.81 | 20.0 | 0.80 | 40.0 | 1.60 | 70.0 | 2.76 | 62.2 | 2.45 | 69.2 | 2.72 | ✓ | ✓ |
| Z11 | 135.2 | 5.32 | 134.8 | 5.31 | 20.0 | 0.80 | 40.0 | 1.60 | 70.0 | 2.76 | 68.4 | 2.69 | 75.1 | 2.96 | ✓ | ✓ |
| Z12 | 147.2 | 5.80 | 147.2 | 5.80 | 20.0 | 0.80 | 40.0 | 1.60 | 70.0 | 2.76 | 74.6 | 2.94 | 81.1 | 3.19 | ✓ | ✓ |
| Z15 | 183.3 | 7.22 | 184.3 | 7.26 | 20.0 | 0.80 | 40.0 | 1.60 | 70.0 | 2.76 | 93.2 | 3.67 | 99.2 | 3.91 | ✓ | ✓ |

Two part sprocket

| No. of teeth | Pitch diameter | | Overall diameter | | Min. ø bore | | Max. ø bore | | Hub diameter | | Dimension A | | Dimension B | | Molded PA6 LG |
|--------------|----------------|------|------------------|------|-------------|------|-------------|------|--------------|------|-------------|------|-------------|------|---------------|
| | mm | in | mm | in | mm | in | mm | in | mm | in | mm | in | mm | in | |
| Z9 | 111.4 | 4.39 | 109.7 | 4.32 | 20.0 | 0.80 | 40.0 | 1.60 | 70.0 | 2.76 | 55.9 | 2.20 | 63.2 | 2.49 | ✓ |
| Z10 | 123.3 | 4.85 | 122.3 | 4.81 | 20.0 | 0.80 | 40.0 | 1.60 | 70.0 | 2.76 | 62.2 | 2.45 | 69.2 | 2.72 | ✓ |
| Z11 | 135.2 | 5.32 | 134.8 | 5.31 | 20.0 | 0.80 | 40.0 | 1.60 | 70.0 | 2.76 | 68.4 | 2.69 | 75.1 | 2.96 | ✓ |
| Z12 | 147.2 | 5.80 | 147.2 | 5.80 | 20.0 | 0.80 | 40.0 | 1.60 | 70.0 | 2.76 | 74.6 | 2.94 | 81.1 | 3.19 | ✓ |

Non standard material and color:
See uni Material and Color Overview.

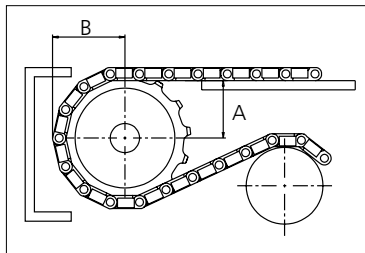
Molded sprocket



Cast iron sprocket



Molded two part sprocket



Please ensure that sufficient size shaft and keyway are chosen for corresponding load.

Other sprocket sizes are available upon request
Width of tooth: 15.8 mm/0.62 in
Width of sprocket: 42.3 mm/1.67 in
uni Retainer Rings: See uni Retainer Ring data sheet
uni Idler: See uni Idler data sheet

uni 879 Tab R G4/160621



Expert advice, quality solutions and local service for all your belting needs
www.ammeraalbeltech.com

Ammeraal Beltech Modular A/S
Hjulmagervej 21
DK-7100 Vejle

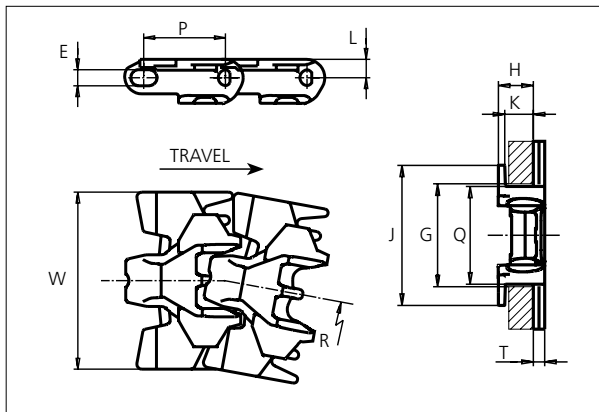
T +45 7572 3100
F +45 7572 3348
admin@unichains.com
www.unichains.com

This information is subject to alteration due to continuous development. Ammeraal Beltech will not be held liable for the incorrect use of the above stated information. This information replaces previous information. All activities performed and services rendered by Ammeraal Beltech are subject to general terms and conditions of sale and delivery, as applied by its operating companies.



Special Plastic Chain

Series **uni 879** Type **Tab Safety**



Special Plastic Chain
 Side flexing chain
 Pitch: 38.1 mm (1.50 in)
 Backflex radius:
 75.0 mm (3.00 in)
 Permissible tensile strength:
 POM material:
 2250 N (506 lbf)
 Standard shipping lengths:
 boxes of 80 links
 = 3.048 m (10.0 ft)

| E | | G | | H | | J | | K | | L | | P | | Q | | T | |
|-----|------|------|------|------|------|------|------|------|------|-----|------|------|------|------|------|-----|------|
| mm | in | mm | in | mm | in | mm | in | mm | in | mm | in | mm | in | mm | in | mm | in |
| 7.1 | 0.28 | 44.5 | 1.75 | 15.9 | 0.63 | 61.5 | 2.42 | 11.9 | 0.47 | 8.5 | 0.33 | 38.1 | 1.50 | 43.1 | 1.70 | 5.0 | 0.20 |

All dimensions are for chains in POM material.

| | Width (W) | | Material & color | Pin material | Weight | | Min. radius (R) | |
|-------------|-----------|------|-------------------|--------------|--------|-------|-----------------|------|
| | mm | in | | | kg/m | lb/ft | mm | in |
| K325 | 82.6 | 3.25 | POM-LFI BR | SS304 | 1.0 | 0.67 | 200 | 7.87 |
| K450 | 114.3 | 4.50 | - | - | - | - | - | - |

Non standard material and color: See uni Material and Color Overview.

Non standard pin material: See uni Material and Color Overview.

STANDARD

SIDE FLEXING

PITCH 38.1 MM/1.50 IN



Sprocket

| No. of teeth | Pitch diameter | | Overall diameter | | Min. ø bore | | Max. ø bore | | Hub diameter | | Dimension A | | Dimension B | | LG | |
|--------------|----------------|------|------------------|------|-------------|------|-------------|------|--------------|------|-------------|------|-------------|------|------------|------------------|
| | mm | in | mm | in | mm | in | mm | in | mm | in | mm | in | mm | in | Molded PA6 | Molded Cast Iron |
| Z9 | 111.4 | 4.39 | 109.7 | 4.32 | 20.0 | 0.80 | 40.0 | 1.60 | 70.0 | 2.76 | 55.9 | 2.20 | 63.2 | 2.49 | ✓ | ✓ |
| Z10 | 123.3 | 4.85 | 122.3 | 4.81 | 20.0 | 0.80 | 40.0 | 1.60 | 70.0 | 2.76 | 62.2 | 2.45 | 69.2 | 2.72 | ✓ | ✓ |
| Z11 | 135.2 | 5.32 | 134.8 | 5.31 | 20.0 | 0.80 | 40.0 | 1.60 | 70.0 | 2.76 | 68.4 | 2.69 | 75.1 | 2.96 | ✓ | ✓ |
| Z12 | 147.2 | 5.80 | 147.2 | 5.80 | 20.0 | 0.80 | 40.0 | 1.60 | 70.0 | 2.76 | 74.6 | 2.94 | 81.1 | 3.19 | ✓ | ✓ |
| Z15 | 183.3 | 7.22 | 184.3 | 7.26 | 20.0 | 0.80 | 40.0 | 1.60 | 70.0 | 2.76 | 93.2 | 3.67 | 99.2 | 3.91 | ✓ | ✓ |

Two part sprocket

| No. of teeth | Pitch diameter | | Overall diameter | | Min. ø bore | | Max. ø bore | | Hub diameter | | Dimension A | | Dimension B | | LG |
|--------------|----------------|------|------------------|------|-------------|------|-------------|------|--------------|------|-------------|------|-------------|------|------------|
| | mm | in | mm | in | mm | in | mm | in | mm | in | mm | in | mm | in | Molded PA6 |
| Z9 | 111.4 | 4.39 | 109.7 | 4.32 | 20.0 | 0.80 | 40.0 | 1.60 | 70.0 | 2.76 | 55.9 | 2.20 | 63.2 | 2.49 | ✓ |
| Z10 | 123.3 | 4.85 | 122.3 | 4.81 | 20.0 | 0.80 | 40.0 | 1.60 | 70.0 | 2.76 | 62.2 | 2.45 | 69.2 | 2.72 | ✓ |
| Z11 | 135.2 | 5.32 | 134.8 | 5.31 | 20.0 | 0.80 | 40.0 | 1.60 | 70.0 | 2.76 | 68.4 | 2.69 | 75.1 | 2.96 | ✓ |
| Z12 | 147.2 | 5.80 | 147.2 | 5.80 | 20.0 | 0.80 | 40.0 | 1.60 | 70.0 | 2.76 | 74.6 | 2.94 | 81.1 | 3.19 | ✓ |

Non standard material and color:
See uni Material and Color Overview.

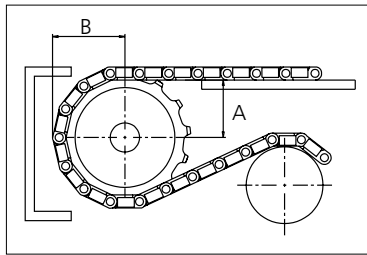
Molded sprocket



Cast iron sprocket



Molded two part sprocket



Please ensure that sufficient size shaft and keyway are chosen for corresponding load.

Other sprocket sizes are available upon request
Width of tooth: 15.8 mm/0.62 in
Width of sprocket: 42.3 mm/1.67 in
uni Retainer Rings: See uni Retainer Ring data sheet
uni Idler: See uni Idler data sheet

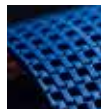
uni 879 Tab Safety/160621



Conveyor Belts



Seamless Belts



Modular Belts



Timing Belts



Transmission Belts



Fabrication & service

Solid advice
For all your belting needs
Local stock & service
www.ammeraalbeltech.com

Ammeraal Beltech Modular A/S
Hjulmagervej 21
DK-7100 Vejle

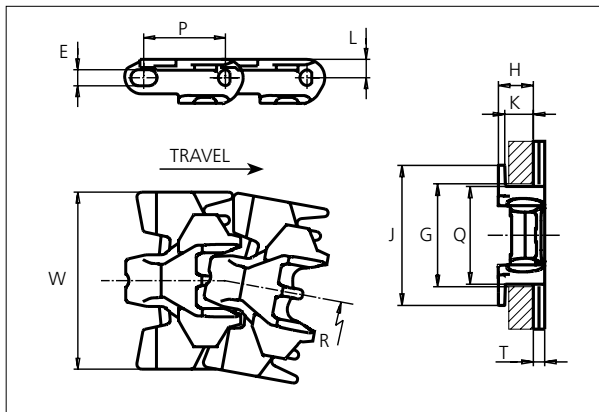
T +45 7572 3100
F +45 7572 3348
admin@unichains.com
www.unichains.com

This information is subject to alteration due to continuous development. Ammeraal Beltech will not be held liable for the incorrect use of the above stated information. This information replaces previous information. All activities performed and services rendered by Ammeraal Beltech are subject to general terms and conditions of sale and delivery, as applied by its operating companies.



Special Plastic Chain

Series **uni 879** Type **Tab Safety Finger**



Special Plastic Chain
 Side flexing chain
 Pitch: 38.1 mm (1.50 in)
 Backflex radius:
 90 mm (3.50 in)
 Permissible tensile strength:
 POM material: 2250 N
 (506 lbf)
 Standard shipping lengths:
 boxes of 80 links
 = 3.048 m (10.0 ft)

| E | | G | | H | | J | | K | | L | | P | | Q | | T | |
|-----|------|------|------|------|------|------|------|------|------|-----|------|------|------|------|------|-----|------|
| mm | in | mm | in | mm | in | mm | in | mm | in | mm | in | mm | in | mm | in | mm | in |
| 7.1 | 0.28 | 44.5 | 1.75 | 15.9 | 0.63 | 61.5 | 2.42 | 11.9 | 0.47 | 8.5 | 0.33 | 38.1 | 1.50 | 43.1 | 1.70 | 5.0 | 0.20 |

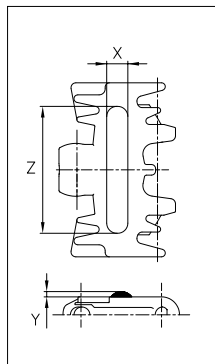
All dimensions are for chains in POM material.

| | Width (W) | | Material & color | Pin material | Weight | | Min. radius (R) | |
|-------------|-----------|------|------------------|--------------|--------|-------|-----------------|------|
| | mm | in | | | kg/m | lb/ft | mm | in |
| K325 | 82.6 | 3.25 | POM-DI W | SS304 | 1.0 | 0.67 | 200 | 7.87 |

Non standard material and color: See uni Material and Color Overview.
 Non standard pin material: See uni Material and Color Overview.

Accessories

Rubber Top/NON STANDARD

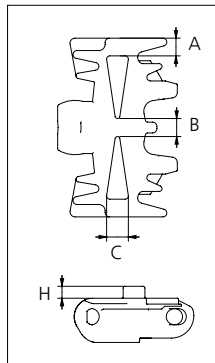
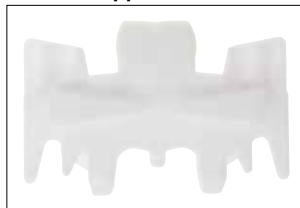


When ordering, please state the required distance between the Rubber Top.

Other Non Standard rubber profiles:
 See uni Rubber Profile Overview.

| Width | Link material | Rubber material | Z | | X | | Y | |
|-------------|-----------------|-----------------|----|------|----|------|-----|------|
| | | | mm | in | mm | in | mm | in |
| K325 | POM-DI W | 05 I | 60 | 2.36 | 10 | 0.39 | 2.5 | 0.10 |

Product Support/NON STANDARD



| Width | Link material | H | | A | | B | | C | |
|-------------|-----------------|------|------|-----|------|-----|------|------|------|
| | | mm | in | mm | in | mm | in | mm | in |
| K325 | POM-DI W | 5.5 | 0.22 | | | | | | |
| | | 10.0 | 0.39 | 8.2 | 0.32 | 7.3 | 0.29 | 10.2 | 0.40 |
| | | 17.0 | 0.67 | | | | | | |



STANDARD

SIDE FLEXING

PITCH 38.1 MM/1.50 IN

Sprocket

| No. of teeth | Pitch diameter | | Overall diameter | | Min. ø bore | | Max. ø bore | | Hub diameter | | Dimension A | | Dimension B | | Molded PA6 LG | Molded Cast Iron |
|--------------|----------------|------|------------------|------|-------------|------|-------------|------|--------------|------|-------------|------|-------------|------|---------------|------------------|
| | mm | in | mm | in | mm | in | mm | in | mm | in | mm | in | mm | in | | |
| Z9 | 111.4 | 4.39 | 109.7 | 4.32 | 20.0 | 0.80 | 40.0 | 1.60 | 70.0 | 2.76 | 55.9 | 2.20 | 63.2 | 2.49 | x | x |
| Z10 | 123.3 | 4.85 | 122.3 | 4.81 | 20.0 | 0.80 | 40.0 | 1.60 | 70.0 | 2.76 | 62.2 | 2.45 | 69.2 | 2.72 | x | x |
| Z11 | 135.2 | 5.32 | 134.8 | 5.31 | 20.0 | 0.80 | 40.0 | 1.60 | 70.0 | 2.76 | 68.4 | 2.69 | 75.1 | 2.96 | x | x |
| Z12 | 147.2 | 5.80 | 147.2 | 5.80 | 20.0 | 0.80 | 40.0 | 1.60 | 70.0 | 2.76 | 74.6 | 2.94 | 81.1 | 3.19 | x | x |
| Z15 | 183.3 | 7.22 | 184.3 | 7.26 | 20.0 | 0.80 | 40.0 | 1.60 | 70.0 | 2.76 | 93.2 | 3.67 | 99.2 | 3.91 | x | x |

Two part sprocket

| No. of teeth | Pitch diameter | | Overall diameter | | Min. ø bore | | Max. ø bore | | Hub diameter | | Dimension A | | Dimension B | | Molded PA6 LG |
|--------------|----------------|------|------------------|------|-------------|------|-------------|------|--------------|------|-------------|------|-------------|------|---------------|
| | mm | in | mm | in | mm | in | mm | in | mm | in | mm | in | mm | in | |
| Z9 | 111.4 | 4.39 | 109.7 | 4.32 | 20.0 | 0.80 | 40.0 | 1.60 | 70.0 | 2.76 | 55.9 | 2.20 | 63.2 | 2.49 | x |
| Z10 | 123.3 | 4.85 | 122.3 | 4.81 | 20.0 | 0.80 | 40.0 | 1.60 | 70.0 | 2.76 | 62.2 | 2.45 | 69.2 | 2.72 | x |
| Z11 | 135.2 | 5.32 | 134.8 | 5.31 | 20.0 | 0.80 | 40.0 | 1.60 | 70.0 | 2.76 | 68.4 | 2.69 | 75.1 | 2.96 | x |
| Z12 | 147.2 | 5.80 | 147.2 | 5.80 | 20.0 | 0.80 | 40.0 | 1.60 | 70.0 | 2.76 | 74.6 | 2.94 | 81.1 | 3.19 | x |

Non standard material and color:
See uni Material and Color Overview.

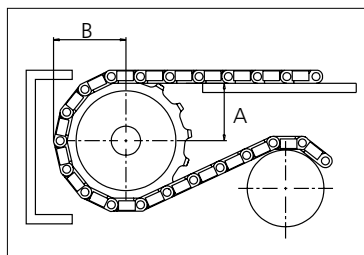
Molded sprocket



Cast iron sprocket



Molded two part sprocket



Please ensure that sufficient size shaft and keyway are chosen for corresponding load.

Other sprocket sizes are available upon request
Width of tooth: 15.8 mm/0.62 in
Width of sprocket: 42.3 mm/1.67 in
uni Retainer Rings: See uni Retainer Ring data sheet
uni Idler: See uni Idler data sheet

uni 879 Tab Safety Finger/170523



Expert advice, quality solutions and local service for all your belting needs
www.ammeraalbeltech.com

Ammeraal Beltech Modular A/S
Hjulgagervej 21
DK-7100 Vejle

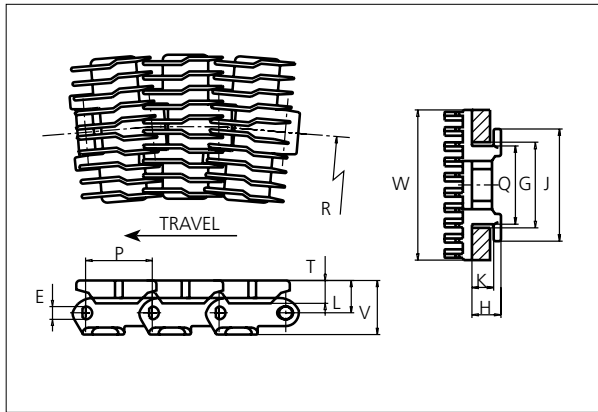
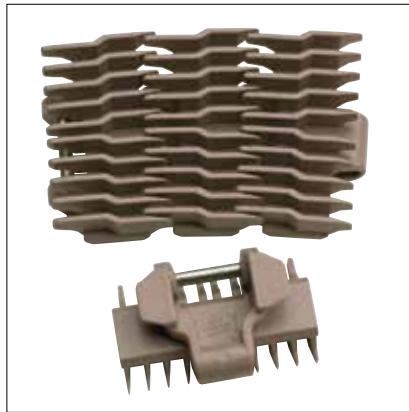
T +45 7572 3100
F +45 7572 3348
admin@unichains.com
www.unichains.com

This information is subject to alteration due to continuous development. Ammeraal Beltech will not be held liable for the incorrect use of the above stated information. This information replaces previous information. All activities performed and services rendered by Ammeraal Beltech are subject to general terms and conditions of sale and delivery, as applied by its operating companies.



Special Plastic Chain

Series **uni 880** Type **Rib Flex**



Special Plastic Chain
 Side flexing chain
 Pitch: 38.1 mm (1.50 in)
 Backflex radius:
 90.0 mm (3.5 in)
 Permissible tensile strength:
 POM material:
 1800 N (405 lbf)
 Standard shipping lengths:
 boxes of 80 links
 = 3.048 m (10.0 ft)

NON STANDARD

| E | | G | | H | | J | | K | | L | | P | | Q | | T | | V | |
|-----|------|------|------|------|------|------|------|------|------|------|------|------|------|------|------|------|------|------|------|
| mm | in | mm | in | mm | in | mm | in | mm | in | mm | in | mm | in | mm | in | mm | in | mm | in |
| 7.2 | 0.28 | 44.5 | 1.75 | 15.9 | 0.63 | 61.5 | 2.42 | 11.9 | 0.47 | 18.5 | 0.73 | 38.1 | 1.50 | 42.9 | 1.69 | 14.9 | 0.59 | 30.7 | 1.21 |

All dimensions are for chains in POM material.

| | Width (W) | | Recommended material & color | Recommended pin material | Weight | | Min. radius (R) | |
|-------------|-----------|------|------------------------------|--------------------------|--------|-------|-----------------|-------|
| | mm | in | | | kg/m | lb/ft | mm | in |
| K250 | 63.5 | 2.50 | POM-LF BR | SS304 | 1.2 | 0.81 | 457 | 17.99 |
| K325 | 82.6 | 3.25 | POM-LF BR | SS304 | 1.3 | 0.87 | 457 | 17.99 |
| K450 | 114.3 | 4.50 | POM-LF BR | SS304 | 1.5 | 1.01 | 457 | 17.99 |

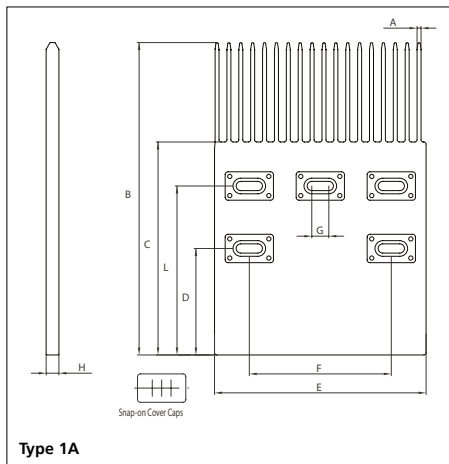
Non standard material and color: See uni Material and Color Overview.

Non standard pin material: See uni Material and Color Overview.

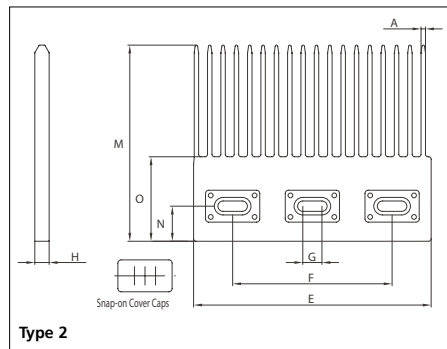
Accessories

Finger plates

Single Sided



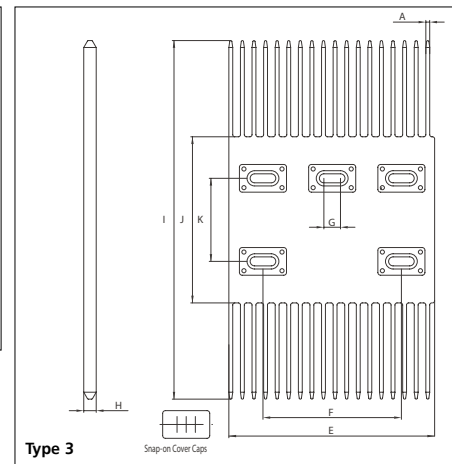
Single Sided



Material for finger plates: POM-LF **BR**

Non standard material and color:
 See uni Material and Color Overview.

Double Sided



For the ribbed versions of uni special chains finger plates are available to facilitate product transfer between two conveyors. The finger plates are supplied with cover caps to close the screw holes. The cover caps can easily be removed with a screw driver.



| A | | B | | C | | D | | E | | F | | G | | H | |
|-------|-------|-------|------|-------|------|-------|------|-------|------|-------|------|------|------|-----|------|
| mm | in | mm | in | mm | in | mm | in | mm | in | mm | in | mm | in | mm | in |
| 2.8 | 0.11 | 220.0 | 8.66 | 150.0 | 5.91 | 75.0 | 2.95 | 149.0 | 5.87 | 100.0 | 3.94 | 12.0 | 0.47 | 9.0 | 0.35 |
| I | | J | | K | | L | | M | | N | | O | | - | |
| mm | in | mm | in | mm | in | mm | in | mm | in | mm | in | mm | in | mm | in |
| 259.0 | 10.20 | 120.0 | 4.72 | 60.0 | 2.36 | 119.0 | 4.69 | 123.0 | 4.84 | 22.0 | 0.87 | 53.0 | 2.09 | - | - |

SIDE FLEXING

PITCH 38.1 MM/1.50 IN

Sprocket

| No. of teeth | Pitch diameter | | Overall diameter | | Min. ø bore | | Max. ø bore | | Hub diameter | | Dimension A | | Dimension B | | Molded PA6 LG | Molded Cast Iron |
|--------------|----------------|------|------------------|------|-------------|------|-------------|------|--------------|------|-------------|------|-------------|------|---------------|------------------|
| | mm | in | mm | in | mm | in | mm | in | mm | in | mm | in | mm | in | | |
| Z9 | 111.4 | 4.39 | 109.7 | 4.32 | 20.0 | 0.80 | 40.0 | 1.60 | 70.0 | 2.76 | 55.9 | 2.20 | 63.2 | 2.49 | ✓ | ✓ |
| Z10 | 123.3 | 4.85 | 122.3 | 4.81 | 20.0 | 0.80 | 40.0 | 1.60 | 70.0 | 2.76 | 62.2 | 2.45 | 69.2 | 2.72 | ✓ | ✓ |
| Z11 | 135.2 | 5.32 | 134.8 | 5.31 | 20.0 | 0.80 | 40.0 | 1.60 | 70.0 | 2.76 | 68.4 | 2.69 | 75.1 | 2.96 | ✓ | ✓ |
| Z12 | 147.2 | 5.80 | 147.2 | 5.80 | 20.0 | 0.80 | 40.0 | 1.60 | 70.0 | 2.76 | 74.6 | 2.94 | 81.1 | 3.19 | ✓ | ✓ |
| Z15 | 183.3 | 7.22 | 184.3 | 7.26 | 20.0 | 0.80 | 40.0 | 1.60 | 70.0 | 2.76 | 93.2 | 3.67 | 99.2 | 3.91 | ✓ | ✓ |

Two part sprocket

| No. of teeth | Pitch diameter | | Overall diameter | | Min. ø bore | | Max. ø bore | | Hub diameter | | Dimension A | | Dimension B | | Molded PA6 LG |
|--------------|----------------|------|------------------|------|-------------|------|-------------|------|--------------|------|-------------|------|-------------|------|---------------|
| | mm | in | mm | in | mm | in | mm | in | mm | in | mm | in | mm | in | |
| Z9 | 111.4 | 4.39 | 109.7 | 4.32 | 20.0 | 0.80 | 40.0 | 1.60 | 70.0 | 2.76 | 55.9 | 2.20 | 63.2 | 2.49 | ✓ |
| Z10 | 123.3 | 4.85 | 122.3 | 4.81 | 20.0 | 0.80 | 40.0 | 1.60 | 70.0 | 2.76 | 62.2 | 2.45 | 69.2 | 2.72 | ✓ |
| Z11 | 135.2 | 5.32 | 134.8 | 5.31 | 20.0 | 0.80 | 40.0 | 1.60 | 70.0 | 2.76 | 68.4 | 2.69 | 75.1 | 2.96 | ✓ |
| Z12 | 147.2 | 5.80 | 147.2 | 5.80 | 20.0 | 0.80 | 40.0 | 1.60 | 70.0 | 2.76 | 74.6 | 2.94 | 81.1 | 3.19 | ✓ |

Molded sprocket



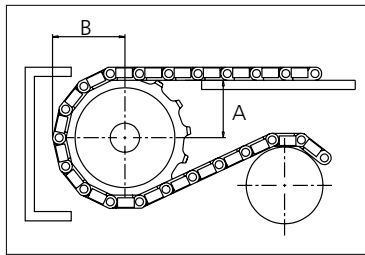
Cast iron sprocket



Molded two part sprocket



Non standard material and color:
See uni Material and Color Overview.



Please ensure that sufficient size shaft and keyway are chosen for corresponding load.

Other sprocket sizes are available upon request

Width of tooth: 15.8 mm/0.62 in

Width of sprocket: 42.3 mm/1.67 in

uni Retainer Rings: See uni Retainer Ring data sheet

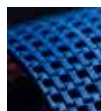
uni Idler: See uni Idler data sheet



Conveyor Belts



Seamless Belts



Modular Belts



Timing Belts



Transmission Belts



Fabrication & service

Solid advice
For all your belting needs
Local stock & service
www.ammeraalbeltech.com

Ammeraal Beltech Modular A/S
Hjulmagervej 21
DK-7100 Vejle

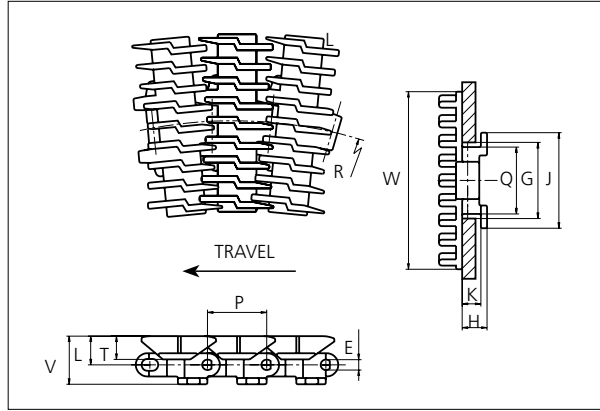
T +45 7572 3100
F +45 7572 3348
admin@unichains.com
www.unichains.com

This information is subject to alteration due to continuous development. Ammeraal Beltech will not be held liable for the incorrect use of the above stated information. This information replaces previous information. All activities performed and services rendered by Ammeraal Beltech are subject to general terms and conditions of sale and delivery, as applied by its operating companies.



Special Plastic Chain

Series **uni 880** Type **Rib**



Special Plastic Chain
 Side flexing chain
 Pitch: 38.1 mm (1.50 in)
 Backflex radius: 35.0 mm (1.4 in)
 Permissible tensile strength: POM material: 1800 N (405 lbf)
 Standard shipping lengths: boxes of 80 links = 3.048 m (10.0 ft)

NON STANDARD

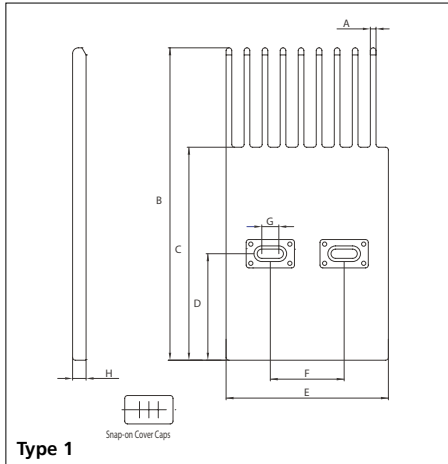
| E | | G | | H | | J | | K | | L | | P | | Q | | T | | V | |
|-----|------|------|------|------|------|------|------|------|------|------|------|------|------|------|------|------|------|------|------|
| mm | in | mm | in | mm | in | mm | in | mm | in | mm | in | mm | in | mm | in | mm | in | mm | in |
| 7.1 | 0.28 | 44.5 | 1.75 | 16.0 | 0.63 | 61.5 | 2.42 | 11.9 | 0.47 | 18.5 | 0.73 | 38.1 | 1.50 | 42.9 | 1.69 | 15.0 | 0.59 | 31.1 | 1.22 |

All dimensions are for chains in POM material.

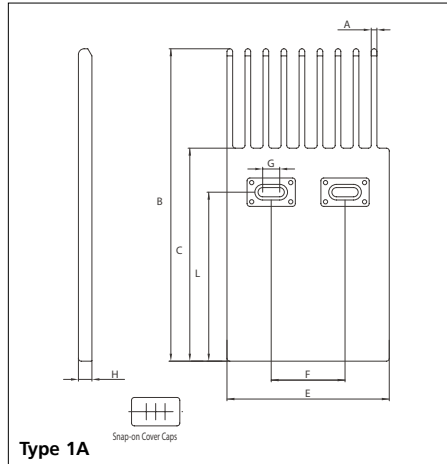
Accessories

Finger plates

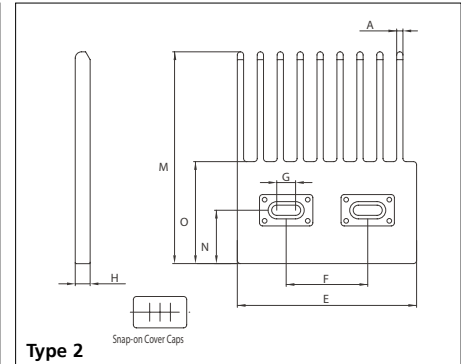
Single Sided



Single Sided



Single Sided



Material for finger plates: POM-LF **BR**

Non standard material and color:
 See uni Material and Color Overview.

For the ribbed versions of uni special chains finger plates are available to facilitate product transfer between two conveyors. The finger plates are supplied with cover caps to close the screw holes. The cover caps can easily be removed with a screw driver.

| A | | B | | C | | D | | E | | F | |
|-----|------|-------|------|-------|------|------|------|-------|------|------|------|
| mm | in | mm | in | mm | in | mm | in | mm | in | mm | in |
| 4.0 | 0.16 | 220.0 | 8.66 | 150.0 | 5.91 | 75.0 | 2.95 | 114.3 | 4.50 | 52.0 | 2.05 |

| G | | H | | L | | M | | N | | O | |
|------|------|-----|------|-------|------|-------|------|------|------|------|------|
| mm | in | mm | in | mm | in | mm | in | mm | in | mm | in |
| 12.0 | 0.47 | 9.5 | 0.37 | 119.0 | 4.69 | 135.0 | 5.31 | 34.0 | 1.34 | 65.0 | 2.56 |

SIDE FLEXING

PITCH 38.1 MM/1.50 IN



Sprocket

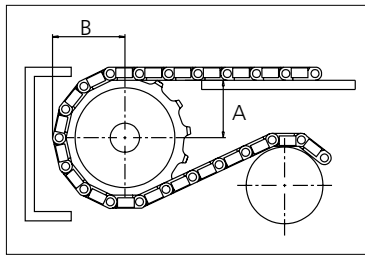
| No. of teeth | Pitch diameter | | Overall diameter | | Min. ø bore | | Max. ø bore | | Hub diameter | | Dimension A | | Dimension B | | Molded PA6 LG | Molded Cast Iron |
|--------------|----------------|------|------------------|------|-------------|------|-------------|------|--------------|------|-------------|------|-------------|------|---------------|------------------|
| | mm | in | mm | in | mm | in | mm | in | mm | in | mm | in | mm | in | | |
| Z9 | 111.4 | 4.39 | 109.7 | 4.32 | 20.0 | 0.80 | 40.0 | 1.60 | 70.0 | 2.76 | 55.9 | 2.20 | 63.2 | 2.49 | ✓ | ✓ |
| Z10 | 123.3 | 4.85 | 122.3 | 4.81 | 20.0 | 0.80 | 40.0 | 1.60 | 70.0 | 2.76 | 62.2 | 2.45 | 69.2 | 2.72 | ✓ | ✓ |
| Z11 | 135.2 | 5.32 | 134.8 | 5.31 | 20.0 | 0.80 | 40.0 | 1.60 | 70.0 | 2.76 | 68.4 | 2.69 | 75.1 | 2.96 | ✓ | ✓ |
| Z12 | 147.2 | 5.80 | 147.2 | 5.80 | 20.0 | 0.80 | 40.0 | 1.60 | 70.0 | 2.76 | 74.6 | 2.94 | 81.1 | 3.19 | ✓ | ✓ |
| Z15 | 183.3 | 7.22 | 184.3 | 7.26 | 20.0 | 0.80 | 40.0 | 1.60 | 70.0 | 2.76 | 93.2 | 3.67 | 99.2 | 3.91 | ✓ | ✓ |

Two part sprocket

| No. of teeth | Pitch diameter | | Overall diameter | | Min. ø bore | | Max. ø bore | | Hub diameter | | Dimension A | | Dimension B | | Molded PA6 LG |
|--------------|----------------|------|------------------|------|-------------|------|-------------|------|--------------|------|-------------|------|-------------|------|---------------|
| | mm | in | mm | in | mm | in | mm | in | mm | in | mm | in | mm | in | |
| Z9 | 111.4 | 4.39 | 109.7 | 4.32 | 20.0 | 0.80 | 40.0 | 1.60 | 70.0 | 2.76 | 55.9 | 2.20 | 63.2 | 2.49 | ✓ |
| Z10 | 123.3 | 4.85 | 122.3 | 4.81 | 20.0 | 0.80 | 40.0 | 1.60 | 70.0 | 2.76 | 62.2 | 2.45 | 69.2 | 2.72 | ✓ |
| Z11 | 135.2 | 5.32 | 134.8 | 5.31 | 20.0 | 0.80 | 40.0 | 1.60 | 70.0 | 2.76 | 68.4 | 2.69 | 75.1 | 2.96 | ✓ |
| Z12 | 147.2 | 5.80 | 147.2 | 5.80 | 20.0 | 0.80 | 40.0 | 1.60 | 70.0 | 2.76 | 74.6 | 2.94 | 81.1 | 3.19 | ✓ |

Non standard material and color:
See uni Material and Color Overview.

Molded sprocket Cast iron sprocket Molded two part sprocket



Please ensure that sufficient size shaft and keyway are chosen for corresponding load.

Other sprocket sizes are available upon request
Width of tooth: 15.8 mm/0.62 in
Width of sprocket: 42.3 mm/1.67 in
uni Retainer Rings: See uni Retainer Ring data sheet
uni Idler: See uni Idler data sheet

uni 880 Rib/160G24



Solid advice
For all your belting needs
Local stock & service
www.ammeraalbeltech.com

Ammeraal Beltech Modular A/S
Hjulmagervej 21
DK-7100 Vejle

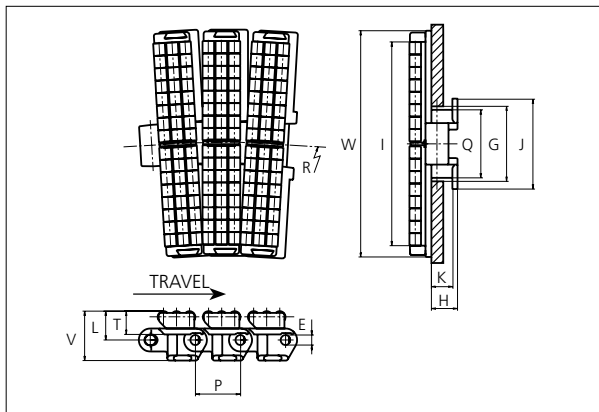
T +45 7572 3100
F +45 7572 3348
admin@unichains.com
www.unichains.com

This information is subject to alteration due to continuous development. Ammeraal Beltech will not be held liable for the incorrect use of the above stated information. This information replaces previous information. All activities performed and services rendered by Ammeraal Beltech are subject to general terms and conditions of sale and delivery, as applied by its operating companies.



Special Plastic Chains

Series **uni 882** Type **Tab PRR**



Special Plastic Chains
 Side flexing chain
 Pitch: 38.1 mm (1.50 in)
 Backflex radius:
 101.0 mm (4.00 in)
 Permissible tensile strength:
 POM material: 4000 N (899 lbf)
 Standard shipping lengths:
 boxes of 80 links
 = 3.048 m (10.0 ft)
 Axle materials for $\varnothing 5.0$ mm
 (0.20 in) accumulation rollers: See
 uni Material and Color Overview.

STANDARD

| E | | G | | H | | I (K325) | | I (K400) | | I (K750) | | J | | K | | L | | P | | Q | | T | | V | | | |
|-----|------|------|------|------|------|----------|------|----------|------|----------|------|------|------|------|------|------|------|------|------|------|------|------|------|------|------|----|----|
| mm | in | mm | in | mm | in | mm | in | mm | in | mm | in | mm | in | mm | in | mm | in | mm | in | mm | in | mm | in | mm | in | mm | in |
| 8.7 | 0.34 | 59.5 | 2.34 | 22.2 | 0.87 | 79.3 | 3.12 | 98.3 | 3.87 | 174.5 | 6.87 | 76.2 | 3.00 | 17.5 | 0.69 | 23.5 | 0.93 | 38.1 | 1.50 | 57.2 | 2.25 | 19.0 | 0.75 | 41.2 | 1.62 | | |

All dimensions are for chains in POM material.

| | Width (W) | | Base material & color | Roller material & color | Pin material | Weight | | Min. radius (R) | |
|-------------|-----------|------|-----------------------|-------------------------|--------------|--------|-------|-----------------|-------|
| | mm | in | | | | kg/m | lb/ft | mm | in |
| K375 | 95.3 | 3.75 | POM-LF BR | POM-LF BR | SS304 | 3.4 | 2.28 | 610 | 24.02 |
| K450 | 114.3 | 4.50 | POM-LF BR | POM-LF BR | SS304 | 3.9 | 2.62 | 610 | 24.02 |
| K750 | 190.5 | 7.50 | POM-LF BR | POM-LF BR | SS304 | 5.6 | 3.76 | 610 | 24.02 |

Non standard material and color: See uni Material and Color Overview.

Non standart pin material: See uni Material and Color Overview.

SIDE FLEXING

PITCH 38.1 MM/1.50 IN



Sprocket

| No of teeth | Pitch diameter | | Overall-diameter | | Min. ø bore | | Max. ø bore | | Hub-diameter | | Dimension A | | Dimension B | | Molded PA6 LG | Molded Cast Iron | Machined PA6 LG |
|-------------|----------------|------|------------------|------|-------------|------|-------------|------|--------------|------|-------------|------|-------------|------|---------------|------------------|-----------------|
| | mm | in | mm | in | mm | in | mm | in | mm | in | mm | in | mm | in | ✓ | ✓ | ✓ |
| Z9 | 111.4 | 4.39 | 112.7 | 4.44 | 20.0 | 0.79 | 45.0 | 1.77 | 60.0 | 2.36 | 57.1 | 2.25 | 65.4 | 2.57 | ✓ | ✓ | |
| Z10 | 123.3 | 4.85 | 125.0 | 4.92 | 20.0 | 0.79 | 45.0 | 1.77 | 65.0 | 2.56 | 63.4 | 2.50 | 71.3 | 2.81 | ✓ | ✓ | |
| Z11 | 135.2 | 5.32 | 137.4 | 5.41 | 20.0 | 0.79 | 50.0 | 1.97 | 73.5 | 2.89 | 69.6 | 2.74 | 77.3 | 3.04 | ✓ | ✓ | |
| Z12 | 147.2 | 5.80 | 150.6 | 5.93 | 20.0 | 0.79 | 50.0 | 1.97 | 73.5 | 2.89 | 75.8 | 2.98 | 83.3 | 3.28 | ✓ | ✓ | |
| Z15 | 183.3 | 7.22 | 186.9 | 7.36 | 20.0 | 0.79 | 50.0 | 1.97 | 120.0 | 4.72 | 94.3 | 3.71 | 101.3 | 3.99 | | ✓ | ✓ |

Two part sprocket

| No of teeth | Pitch diameter | | Overall-diameter | | Min. ø bore | | Max. ø bore | | Hub-diameter | | Dimension A | | Dimension B | | Molded PA6 LG |
|-------------|----------------|------|------------------|------|-------------|------|-------------|------|--------------|------|-------------|------|-------------|------|---------------|
| | mm | in | mm | in | mm | in | mm | in | mm | in | mm | in | mm | in | ✓ |
| Z9 | 111.4 | 4.39 | 112.7 | 4.31 | 20.0 | 0.79 | 45.0 | 1.77 | 60.0 | 2.36 | 57.1 | 2.25 | 65.4 | 2.57 | ✓ |
| Z10 | 123.3 | 4.85 | 125.0 | 4.81 | 20.0 | 0.79 | 45.0 | 1.77 | 65.0 | 2.56 | 63.4 | 2.50 | 71.3 | 2.81 | ✓ |
| Z11 | 135.2 | 5.32 | 137.4 | 5.30 | 20.0 | 0.79 | 50.0 | 1.97 | 73.5 | 2.89 | 69.6 | 2.74 | 77.3 | 3.04 | ✓ |
| Z12 | 147.2 | 5.80 | 150.6 | 5.79 | 20.0 | 0.79 | 50.0 | 1.97 | 73.5 | 2.89 | 75.8 | 2.98 | 83.3 | 3.28 | ✓ |

Molded sprocket



Cast iron sprocket



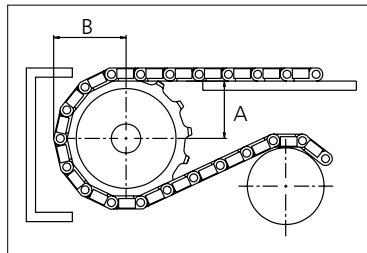
Machined sprocket



Molded two part sprocket



Non standard material and color:
See uni Material and Color Overview.



Please ensure that sufficient size shaft and keyway are chosen for corresponding load.

Other sprocket sizes are available upon request

Width of tooth: 22.20 mm/0.87 in

Width of sprocket: 42.3 mm/1.70 in

uni Retainer Rings: See uni Retainer Ring data sheet

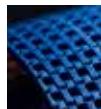
uni 882 Tab PRR/180525



Conveyor Belts



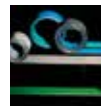
Seamless Belts



Modular Belts



Timing Belts



Transmission Belts



Fabrication & service

Solid advice
For all your belting needs
Local stock & service
www.ammeraalbeltech.com

Ammeraal Beltech Modular A/S
Hjulmagervej 21
DK-7100 Vejle

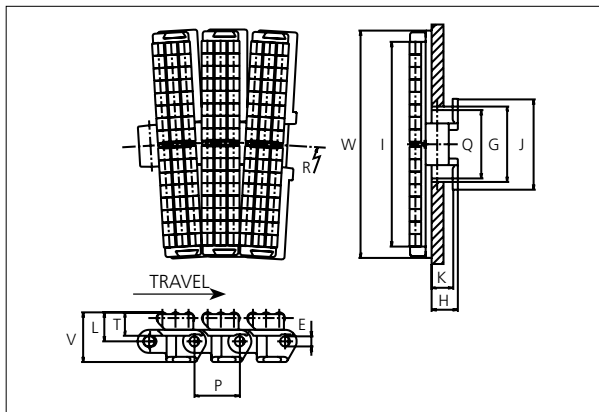
T +45 7572 3100
F +45 7572 3348
admin@unichains.com
www.unichains.com

This information is subject to alteration due to continuous development. Ammeraal Beltech will not be held liable for the incorrect use of the above stated information. This information replaces previous information. All activities performed and services rendered by Ammeraal Beltech are subject to general terms and conditions of sale and delivery, as applied by its operating companies.



Special Plastic Chain

Series **uni 882** Type **Tab PRR4**



Special Plastic Chain
 Side flexing chain
 Pitch: 38.1 mm (1.50 in)
 Backflex radius: 101.0 mm (4.0 in)
 Permissible tensile strength: POM material: 4000 N (899 lbf)
 Standard shipping lengths: boxes of 80 links = 3.048 m (10.0 ft)
 Axle materials for $\varnothing 4.0$ mm (0.16 in) accumulation rollers: See uni Material and Color Overview.

| E | | G | | H | | I (K325) | | I (K400) | | I (K750) | | J | | K | | L | | P | | Q | | T | | V | |
|-----|------|------|------|------|------|----------|------|----------|------|----------|------|------|------|------|------|------|------|------|------|------|------|------|------|------|------|
| mm | in | mm | in | mm | in | mm | in | mm | in | mm | in | mm | in | mm | in | mm | in | mm | in | mm | in | mm | in | mm | in |
| 8.7 | 0.34 | 59.5 | 2.34 | 22.2 | 0.87 | 79.3 | 3.12 | 98.3 | 3.87 | 174.5 | 6.87 | 76.2 | 3.00 | 17.5 | 0.69 | 23.5 | 0.93 | 38.1 | 1.50 | 57.2 | 2.25 | 19.0 | 0.75 | 41.2 | 1.62 |

All dimensions are for chains in POM material.

| | Width (W) | | Recommended base material & color | Recommended roller material & color | Recommended pin material | Weight | | Min. radius (R) | |
|-------------|-----------|------|-----------------------------------|-------------------------------------|--------------------------|--------|-------|-----------------|-------|
| | mm | in | | | | kg/m | lb/ft | mm | in |
| K375 | 95.3 | 3.75 | POM-LF BR | POM-D K | SS304 | 3.4 | 2.30 | 610 | 24.02 |
| K450 | 114.3 | 4.50 | POM-LF BR | POM-D K | SS304 | 3.9 | 2.55 | 610 | 24.02 |
| K750 | 190.5 | 7.50 | POM-LF BR | POM-D K | SS304 | 5.7 | 3.83 | 610 | 24.02 |

Non standard material and color: See uni Material and Color Overview.

Non standart pin material: See uni Material and Color Overview.

NON STANDARD

SIDE FLEXING

PITCH 38.1 MM/1.50 IN



Sprocket

| No of teeth | Pitch diameter | | Overall-diameter | | Min. ø bore | | Max. ø bore | | Hub-diameter | | Dimension A | | Dimension B | | Molded PA6 LG | Molded Cast Iron | Machined PA6 N |
|-------------|----------------|------|------------------|------|-------------|------|-------------|------|--------------|------|-------------|------|-------------|------|---------------|------------------|----------------|
| | mm | in | mm | in | mm | in | mm | in | mm | in | mm | in | mm | in | | | |
| Z9 | 111.4 | 4.39 | 112.7 | 4.44 | 20.0 | 0.79 | 45.0 | 1.77 | 60.0 | 2.36 | 57.1 | 2.25 | 65.4 | 2.57 | ✓ | ✓ | |
| Z10 | 123.3 | 4.85 | 125.0 | 4.92 | 20.0 | 0.79 | 45.0 | 1.77 | 65.0 | 2.56 | 63.4 | 2.50 | 71.3 | 2.81 | ✓ | ✓ | |
| Z11 | 135.2 | 5.32 | 137.4 | 5.41 | 20.0 | 0.79 | 50.0 | 1.97 | 73.5 | 2.89 | 69.6 | 2.74 | 77.3 | 3.04 | ✓ | ✓ | |
| Z12 | 147.2 | 5.80 | 150.6 | 5.93 | 20.0 | 0.79 | 50.0 | 1.97 | 73.5 | 2.89 | 75.8 | 2.98 | 83.3 | 3.28 | ✓ | ✓ | |
| Z15 | 183.3 | 7.22 | 186.9 | 7.36 | 20.0 | 0.79 | 50.0 | 1.97 | 120.0 | 4.72 | 94.3 | 3.71 | 101.3 | 3.99 | | ✓ | ✓ |

Two part sprocket

| No of teeth | Pitch diameter | | Overall-diameter | | Min. ø bore | | Max. ø bore | | Hub-diameter | | Dimension A | | Dimension B | | Molded PA6 LG |
|-------------|----------------|------|------------------|------|-------------|------|-------------|------|--------------|------|-------------|------|-------------|------|---------------|
| | mm | in | mm | in | mm | in | mm | in | mm | in | mm | in | mm | in | |
| Z9 | 111.4 | 4.39 | 112.7 | 4.31 | 20.0 | 0.79 | 45.0 | 1.77 | 60.0 | 2.36 | 57.1 | 2.25 | 65.4 | 2.57 | ✓ |
| Z10 | 123.3 | 4.85 | 125.0 | 4.81 | 20.0 | 0.79 | 45.0 | 1.77 | 65.0 | 2.56 | 63.4 | 2.50 | 71.3 | 2.81 | ✓ |
| Z11 | 135.2 | 5.32 | 137.4 | 5.30 | 20.0 | 0.79 | 50.0 | 1.97 | 73.5 | 2.89 | 69.6 | 2.74 | 77.3 | 3.04 | ✓ |
| Z12 | 147.2 | 5.80 | 150.6 | 5.79 | 20.0 | 0.79 | 50.0 | 1.97 | 73.5 | 2.89 | 75.8 | 2.98 | 83.3 | 3.28 | ✓ |

Molded sprocket



Cast iron sprocket



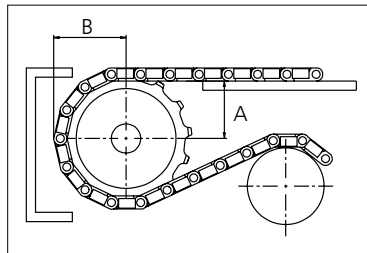
Machined sprocket



Molded two part sprocket



Non standard material and color:
See uni Material and Color Overview.



Please ensure that sufficient size shaft and keyway are chosen for corresponding load.

Other sprocket sizes are available upon request

Width of tooth: 22.20 mm/0.87 in

Width of sprocket: 42.3 mm/1.70 in

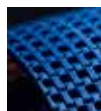
uni Retainer Rings: See uni Retainer Ring data sheet



Conveyor Belts



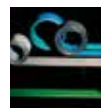
Seamless Belts



Modular Belts



Timing Belts



Transmission Belts



Fabrication & service

Solid advice
For all your belting needs
Local stock & service
www.ammeraalbeltech.com

Ammeraal Beltech Modular A/S
Hjulmagervej 21
DK-7100 Vejle

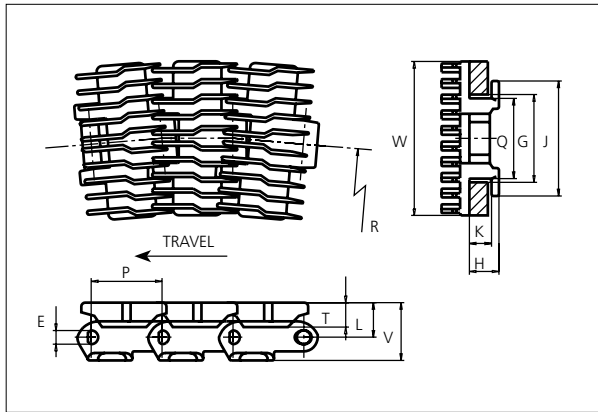
T +45 7572 3100
F +45 7572 3348
admin@unichains.com
www.unichains.com

This information is subject to alteration due to continuous development. Ammeraal Beltech will not be held liable for the incorrect use of the above stated information. This information replaces previous information. All activities performed and services rendered by Ammeraal Beltech are subject to general terms and conditions of sale and delivery, as applied by its operating companies.



Special Plastic Chain

Series **uni 882** Type **Rib Flex**



Special Chains
 Side flexing chain
 Pitch: 38.1 mm (1.50 in)
 Backflex radius:
 75.0 mm (3.00 in)
 Permissible tensile strength:
 POM material:
 4000 N (899 lbf)

 Standard shipping lengths:
 boxes of 80 links
 = 3.048 m (10.0 ft)

| E | | G | | H | | J | | K | | L | | P | | Q | | T | | V | |
|-----|------|------|------|------|------|-------|------|------|------|------|------|------|------|------|------|------|------|------|------|
| mm | in | mm | in | mm | in | mm | in | mm | in | mm | in | mm | in | mm | in | mm | in | mm | in |
| 8.7 | 0.34 | 59.5 | 2.34 | 22.2 | 0.87 | 76.20 | 3.00 | 17.5 | 0.69 | 19.7 | 0.78 | 38.1 | 1.50 | 57.2 | 2.25 | 15.0 | 0.59 | 37.0 | 1.46 |

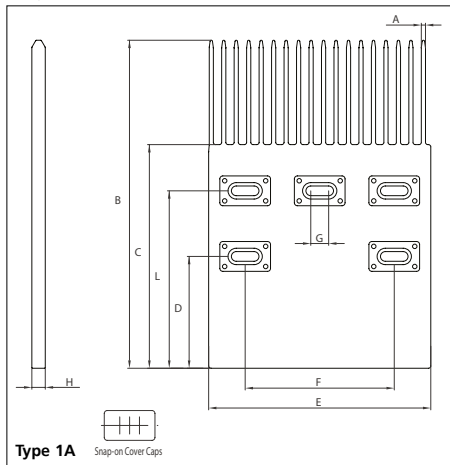
All dimensions are for chains in POM material.

| | Width (W) | | Recommended material & color | Recommended pin material | Weight | | min. radius R | |
|-------------|-----------|------|------------------------------|--------------------------|--------|-------|---------------|-------|
| | mm | in | | | kg/m | lb/ft | mm | in |
| K600 | 147.4 | 5.80 | POM-LF BR | SS304 | 2.4 | 1.61 | 610.0 | 24.02 |

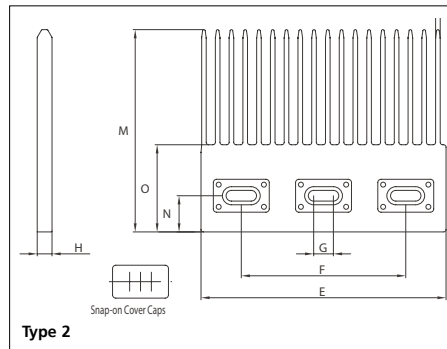
Non standard material and color: See uni Material and Color Overview.
 Non standard pin material: See uni Material and Color Overview.

Accessories

Finger plates Single Sided

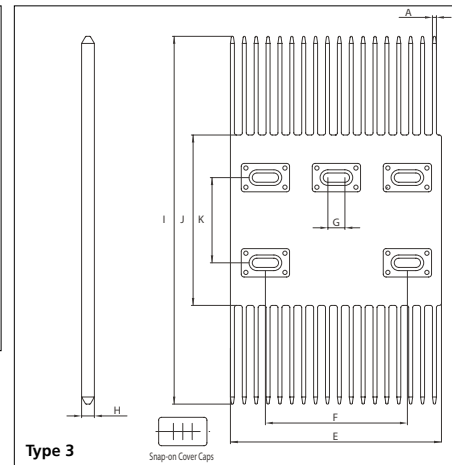


Single Sided



Material for finger plates: POM-LF BR
 Non standard material and color:
 See uni Material and Color Overview.

Double Sided



For the ribbed versions of uni special chains finger plates are available to facilitate product transfer between two conveyors.

The finger plates are supplied with cover caps to close the screw holes. The cover caps can easily be removed with a screw driver.

| A | | B | | C | | D | | E | | F | | G | | H | |
|-------|-------|-------|------|-------|------|-------|------|-------|------|-------|------|------|------|-----|------|
| mm | in | mm | in | mm | in | mm | in | mm | in | mm | in | mm | in | mm | in |
| 2.8 | 0.11 | 220.0 | 8.66 | 150.0 | 5.91 | 75.0 | 2.95 | 149.0 | 5.87 | 100.0 | 3.94 | 12.0 | 0.47 | 9.0 | 0.35 |
| I | | J | | K | | L | | M | | N | | O | | - | |
| mm | in | mm | in | mm | in | mm | in | mm | in | mm | in | mm | in | mm | in |
| 259.0 | 10.20 | 120.0 | 4.72 | 60.0 | 2.36 | 119.0 | 4.69 | 123.0 | 4.84 | 22.0 | 0.87 | 53.0 | 2.09 | - | - |



NON STANDARD
SIDE FLEXING

PITCH 38.1 MM/1.50 IN

Sprocket

| No of teeth | Pitch diameter | | Overall-diameter | | Min. ø bore | | Max. ø bore | | Hub-diameter | | Dimension A | | Dimension B | | Molded PA6 LG | Molded Cast Iron | Machined PA6 LG |
|-------------|----------------|------|------------------|------|-------------|------|-------------|------|--------------|------|-------------|------|-------------|------|---------------|------------------|-----------------|
| | mm | in | mm | in | mm | in | mm | in | mm | in | mm | in | mm | in | | | |
| Z9 | 111.4 | 4.39 | 112.7 | 4.44 | 20.0 | 0.79 | 45.0 | 1.77 | 60.0 | 2.36 | 57.1 | 2.25 | 65.4 | 2.57 | ✓ | ✓ | |
| Z10 | 123.3 | 4.85 | 125.0 | 4.92 | 20.0 | 0.79 | 45.0 | 1.77 | 65.0 | 2.56 | 63.4 | 2.50 | 71.3 | 2.81 | ✓ | ✓ | |
| Z11 | 135.2 | 5.32 | 137.4 | 5.41 | 20.0 | 0.79 | 50.0 | 1.97 | 73.5 | 2.89 | 69.6 | 2.74 | 77.3 | 3.04 | ✓ | ✓ | |
| Z12 | 147.2 | 5.80 | 150.6 | 5.93 | 20.0 | 0.79 | 50.0 | 1.97 | 73.5 | 2.89 | 75.8 | 2.98 | 83.3 | 3.28 | ✓ | ✓ | |
| Z15 | 183.3 | 7.22 | 186.9 | 7.36 | 20.0 | 0.79 | 50.0 | 1.97 | 120.0 | 4.72 | 94.3 | 3.71 | 101.3 | 3.99 | | ✓ | ✓ |

Two part sprocket

| No of teeth | Pitch diameter | | Overall-diameter | | Min. ø bore | | Max. ø bore | | Hub-diameter | | Dimension A | | Dimension B | | Molded PA6 LG |
|-------------|----------------|------|------------------|------|-------------|------|-------------|------|--------------|------|-------------|------|-------------|------|---------------|
| | mm | in | mm | in | mm | in | mm | in | mm | in | mm | in | mm | in | |
| Z9 | 111.4 | 4.39 | 112.7 | 4.31 | 20.0 | 0.79 | 45.0 | 1.77 | 60.0 | 2.36 | 57.1 | 2.25 | 65.4 | 2.57 | ✓ |
| Z10 | 123.3 | 4.85 | 125.0 | 4.81 | 20.0 | 0.79 | 45.0 | 1.77 | 65.0 | 2.56 | 63.4 | 2.50 | 71.3 | 2.81 | ✓ |
| Z11 | 135.2 | 5.32 | 137.4 | 5.30 | 20.0 | 0.79 | 50.0 | 1.97 | 73.5 | 2.89 | 69.6 | 2.74 | 77.3 | 3.04 | ✓ |
| Z12 | 147.2 | 5.80 | 150.6 | 5.79 | 20.0 | 0.79 | 50.0 | 1.97 | 73.5 | 2.89 | 75.8 | 2.98 | 83.3 | 3.28 | ✓ |

Molded sprocket



Cast iron sprocket



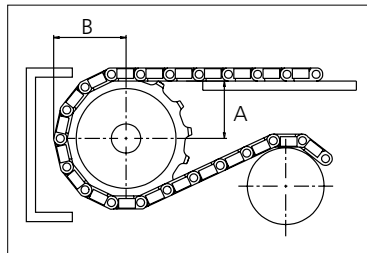
Machined sprocket



Molded two part sprocket



Non standard material and color:
See uni Material and Color Overview.



Please ensure that sufficient size shaft and keyway are chosen for corresponding load.

Other sprocket sizes are available upon request

Width of tooth: 22.20 mm/0.87 in

Width of sprocket: 42.3 mm/1.70 in

uni Retainer Rings: See uni Retainer Ring data sheet

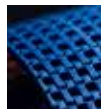
uni 882 Rib Flex/160624



Conveyor Belts



Seamless Belts



Modular Belts



Timing Belts



Transmission Belts



Fabrication & service

Solid advice
For all your belting needs
Local stock & service
www.ammeraalbeltech.com

Ammeraal Beltech Modular A/S
Hjulmagervej 21
DK-7100 Vejle

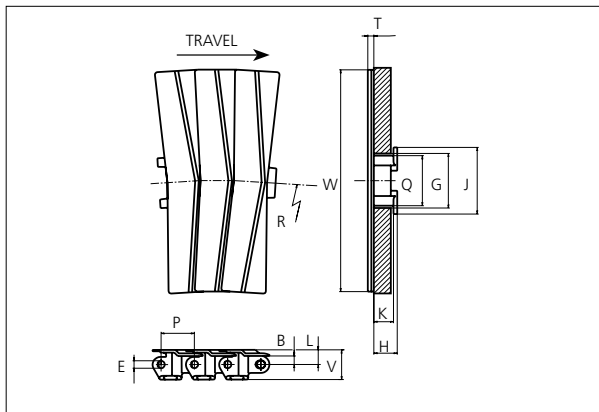
T +45 7572 3100
F +45 7572 3348
admin@unichains.com
www.unichains.com

This information is subject to alteration due to continuous development. Ammeraal Beltech will not be held liable for the incorrect use of the above stated information. This information replaces previous information. All activities performed and services rendered by Ammeraal Beltech are subject to general terms and conditions of sale and delivery, as applied by its operating companies.



Special Plastic Chain

Series **uni 882** Type **Tab SC**



Special Plastic Chain
 Side flexing chain
 Pitch: 38.1 mm (1.50 in)
 Backflex radius: 125.0 mm (4.90 in)
 Permissible tensile strength:
 POM material: 4000 N (899 lbf)

 Standard shipping lengths:
 boxes of 80 links
 = 3.048 m (10.0 ft)

STANDARD

| B | | E | | G | | H | | J | | K | | L | | P | | Q | | T | | V | |
|-----|------|-----|------|------|------|------|------|------|------|------|------|------|------|------|------|------|------|-----|------|------|------|
| mm | in | mm | in | mm | in | mm | in | mm | in | mm | in | mm | in | mm | in | mm | in | mm | in | mm | in |
| 9.7 | 0.38 | 8.7 | 0.34 | 59.5 | 2.34 | 21.9 | 0.86 | 76.2 | 3.00 | 17.5 | 0.69 | 16.7 | 0.66 | 38.1 | 1.50 | 57.2 | 2.25 | 7.0 | 0.28 | 29.0 | 1.14 |

All dimensions are for chains in POM material.

| | Width (W) | | Material & color | Pin material | Weight | | min. radius R | |
|--------------|-----------|-------|------------------|--------------|--------|-------|---------------|-------|
| | mm | in | | | kg/m | lb/ft | mm | in |
| K450 | 114.3 | 4.50 | POM-LF BR | SS304 | 2.2 | 1.48 | 610 | 24.02 |
| K750 | 190.5 | 7.50 | POM-LF BR | SS304 | 3.0 | 2.01 | 610 | 24.02 |
| K1000 | 254.0 | 10.00 | POM-LF BR | SS304 | 3.4 | 2.28 | 610 | 24.02 |

Non standard material and color: See uni Material and Color Overview.
 Non standard pin material: See uni Material and Color Overview.

SIDE FLEXING

PITCH 38.1 MM/1.50 IN



Sprocket

| No of teeth | Pitch diameter | | Overall-diameter | | Min. ø bore | | Max. ø bore | | Hub-diameter | | A-dimension | | B-dimension | | Molded PA6 LG | Molded Cast Iron | Machined PA6 LG |
|-------------|----------------|------|------------------|------|-------------|------|-------------|------|--------------|------|-------------|------|-------------|------|---------------|------------------|-----------------|
| | mm | in | mm | in | mm | in | mm | in | mm | in | mm | in | mm | in | ✓ | ✓ | ✓ |
| Z9 | 111.4 | 4.39 | 112.7 | 4.44 | 20.0 | 0.79 | 45.0 | 1.77 | 60.0 | 2.36 | 62.0 | 2.44 | 73.3 | 2.89 | ✓ | ✓ | |
| Z10 | 123.3 | 4.85 | 125.0 | 4.92 | 20.0 | 0.79 | 45.0 | 1.77 | 65.0 | 2.56 | 68.3 | 2.69 | 79.3 | 3.12 | ✓ | ✓ | |
| Z11 | 135.2 | 5.32 | 137.4 | 5.41 | 20.0 | 0.79 | 50.0 | 1.97 | 73.5 | 2.89 | 74.6 | 2.94 | 85.2 | 3.35 | ✓ | ✓ | |
| Z12 | 147.2 | 5.80 | 150.6 | 5.93 | 20.0 | 0.79 | 50.0 | 1.97 | 73.5 | 2.89 | 80.8 | 3.18 | 91.2 | 3.59 | ✓ | ✓ | |
| Z15 | 183.3 | 7.22 | 186.9 | 7.36 | 20.0 | 0.79 | 50.0 | 1.97 | 120.0 | 4.72 | 99.3 | 3.91 | 109.1 | 4.30 | | ✓ | ✓ |

Two part sprocket

| No of teeth | Pitch diameter | | Overall-diameter | | Min. ø bore | | Max. ø bore | | Hub-diameter | | A-dimension | | B-dimension | | Molded PA6 LG |
|-------------|----------------|------|------------------|------|-------------|------|-------------|------|--------------|------|-------------|------|-------------|------|---------------|
| | mm | in | mm | in | mm | in | mm | in | mm | in | mm | in | mm | in | ✓ |
| Z9 | 111.4 | 4.39 | 112.7 | 4.31 | 20.0 | 0.79 | 45.0 | 1.77 | 60.0 | 2.36 | 62.0 | 2.44 | 73.3 | 2.89 | ✓ |
| Z10 | 123.3 | 4.85 | 125.0 | 4.81 | 20.0 | 0.79 | 45.0 | 1.77 | 65.0 | 2.56 | 68.3 | 2.69 | 79.3 | 3.12 | ✓ |
| Z11 | 135.2 | 5.32 | 137.4 | 5.30 | 20.0 | 0.79 | 50.0 | 1.97 | 73.5 | 2.89 | 74.6 | 2.94 | 85.2 | 3.35 | ✓ |
| Z12 | 147.2 | 5.80 | 150.6 | 5.79 | 20.0 | 0.79 | 50.0 | 1.97 | 73.5 | 2.89 | 80.8 | 3.18 | 91.2 | 3.59 | ✓ |

Molded sprocket



Cast iron sprocket



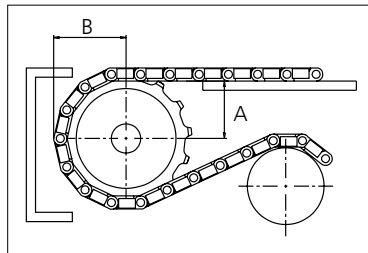
Machined sprocket



Molded two part sprocket



Non standard material and color:
See uni Material and Color Overview.



Please ensure that sufficient size shaft and keyway are chosen for corresponding load.

Other sprocket sizes are available upon request
Width of tooth: 22.20 mm/0.87 in
Width of sprocket: 42.3 mm/1.70 in
uni Retainer Rings: See uni Retainer Ring data sheet

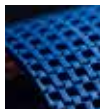
uni 882 Tab SC/160621



Conveyor Belts



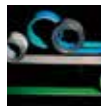
Seamless Belts



Modular Belts



Timing Belts



Transmission Belts



Fabrication & service

Solid advice
For all your belting needs
Local stock & service
www.ammeraalbeltech.com

Ammeraal Beltech Modular A/S
Hjulmagervej 21
DK-7100 Vejle

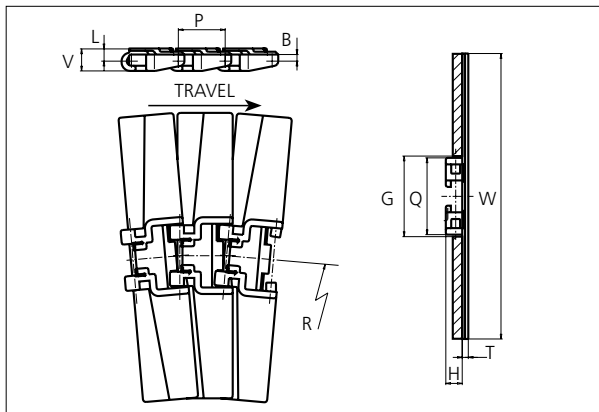
T +45 7572 3100
F +45 7572 3348
admin@unichains.com
www.unichains.com

This information is subject to alteration due to continuous development. Ammeraal Beltech will not be held liable for the incorrect use of the above stated information. This information replaces previous information. All activities performed and services rendered by Ammeraal Beltech are subject to general terms and conditions of sale and delivery, as applied by its operating companies.



Special Plastic Chain

Series **uni 982** Type **SC**



Special Plastic Chain
 Side flexing chain
 Pitch: 50.0 mm (1.97 in)
 Backflex radius:
 200 mm (7.9 in)
 Permissible tensile strength:
 POM material:
 1000 N (225 lbf)

 Standard shipping lengths:
 boxes of 80 links
 = 4.0 m (13.1 ft)

| B | | G | | H | | L | | P | | Q | | T | | V | |
|-----|------|------|------|------|------|------|------|------|------|------|------|-----|------|------|------|
| mm | in | mm | in | mm | in | mm | in | mm | in | mm | in | mm | in | mm | in |
| 7.0 | 0.28 | 85.0 | 3.35 | 17.5 | 0.69 | 13.5 | 0.53 | 50.0 | 1.97 | 82.0 | 3.23 | 6.5 | 0.26 | 24.0 | 0.95 |

All dimensions are for chains in POM material.

| Width (W) | | Recommended material & color | Weight | | Min. radius (R) | |
|-----------|-------|------------------------------|--------|-------|-----------------|-------|
| mm | in | | kg/m | lb/ft | mm | in |
| 254.0 | 10.00 | POM-SLF B AR W | 1.6 | 1.07 | 610.0 | 24.02 |

Non standard material and color: See uni Material and Color Overview.



NON STANDARD

SIDE FLEXING

PITCH 50.0 MM/1.97 IN

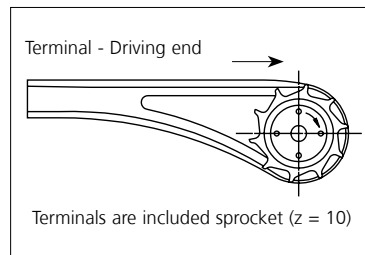
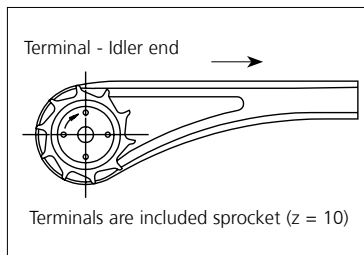
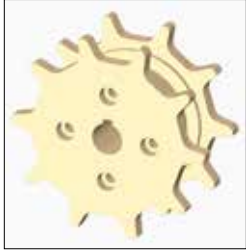


Sprocket

| No of teeth | Pitch diameter | | Overall-diameter | | Min. ϕ bore | | Max. ϕ bore | | Hub-diameter | | Dimension A | | Dimension B | | Machined  PAG  |
|-------------|----------------|------|------------------|----|------------------|------|------------------|------|--------------|------|-------------|----|-------------|----|--------------------------------------------------------------------------------------------------------------------------------------------------------------------------------------|
| | mm | in | mm | in | mm | in | mm | in | mm | in | mm | in | mm | in | |
| Z10 | 161.8 | 6.37 | - | - | 19.1 | 0.75 | 40.0 | 1.57 | 64.0 | 2.52 | - | - | - | - |  |

Non standard material and color:
See uni Material and Color Overview.

Machined sprocket



Please ensure that sufficient size shaft and keyway are chosen for corresponding load.

Other sprocket sizes are available upon request
Width of tooth: 25.0 mm/1.00 in
Width of sprocket: 42.3 mm/1.70 in
uni Retainer Rings: See uni Retainer Ring data sheet

uni 982 SC/170524



Solid advice
For all your belting needs
Local stock & service
www.ammeraalbeltech.com

Ammeraal Beltech Modular A/S
Hjulmagervej 21
DK-7100 Vejle

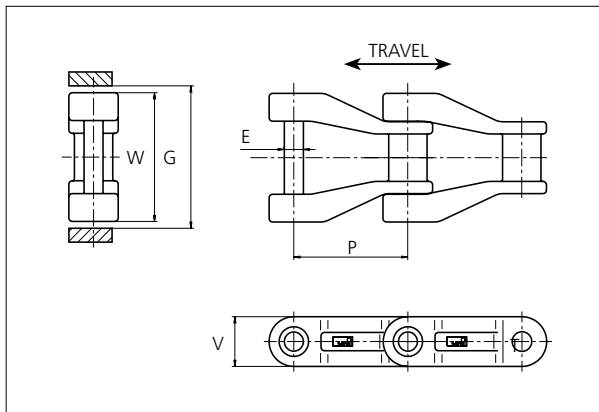
T +45 7572 3100
F +45 7572 3348
admin@unichains.com
www.unichains.com

This information is subject to alteration due to continuous development. Ammeraal Beltech will not be held liable for the incorrect use of the above stated information. This information replaces previous information. All activities performed and services rendered by Ammeraal Beltech are subject to general terms and conditions of sale and delivery, as applied by its operating companies.



Special Plastic Chain

Series **uni NH78** Type -



Special Plastic Chain
 Straight running chain
 Pitch: 66.3 mm (2.61 in)
 Backflex radius: 75.0 mm (3.00 in)
 Permissible tensile strength:
 T1: 9000 N (2023 lbf)
 T2: 7000 N (1574 lbf)
 T3: 6000 N (1349 lbf)
 T4: 6000 N (1349 lbf)
 T5: 5000 N (1124 lbf)

Standard shipping lengths:
 boxes of 92 links
 = 6.100 m (20.0 ft)

STANDARD

| E | | G | | P | | V | |
|------|------|------|------|------|------|------|------|
| mm | in | mm | in | mm | in | mm | in |
| 11.0 | 0.43 | 78.0 | 3.07 | 66.3 | 2.61 | 28.6 | 1.13 |

All dimensions are for chains in POM material.

Standard material & colors

| | Width (W) | | Material & color | Pin material | Pin fixing | Pin ø | | Weight | |
|--------------------|-----------|------|----------------------------------------------------------------------------------------------------------------------------------------------|--------------|------------|-------|------|--------|-------|
| | mm | in | | | | mm | in | kg/m | lb/ft |
| uni NH78 T1 | 74.0 | 2.91 | POM-LF BR POM-D G | SS304 | Staked | 11.0 | 0.43 | 2.1 | 1.41 |

STRAIGHT RUNNING


Non Standard material & colors

| | Width (W) | | Material & color | Pin material | Pin fixing | Pin ø | | Weight | |
|--------------------|-----------|------|----------------------------------------------------------------------------------------------------------------------------------------------|--------------|-----------------------|-------|------|--------|-------|
| | mm | in | | | | mm | in | kg/m | lb/ft |
| uni NH78 T2 | 74.0 | 2.91 | PBT-GR K PA6-GF K | SS304 | Staked | 11.0 | 0.43 | 2.1 | 1.41 |
| uni NH78 T3 | 74.0 | 2.91 | PA6-GF K | SS304 | Staked (PE sleeve) | 10.0 | 0.39 | 2.1 | 1.41 |
| uni NH78 T4 | 74.0 | 2.91 | PA6-GF K | SS304 | Cotterpin (PE sleeve) | 10.0 | 0.39 | 2.1 | 1.41 |
| uni NH78 T5 | 74.0 | 2.91 | PP-AR N | SS304 | Staked | 11.0 | 0.43 | 2.1 | 1.41 |

PITCH 66.3 MM/2.61 IN

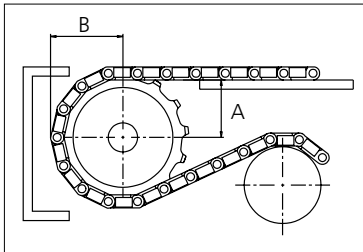


Sprocket

| No. of teeth | Pitch diameter | | Overall-diameter | | Min. ø bore | | Max. ø bore | | Hub-diameter | | A-dimension | | B-dimension | |  Machined PA6 |
|--------------|----------------|------|------------------|------|-------------|------|-------------|------|--------------|------|-------------|------|-------------|------|-----------------------------------------------------------------------------------------------------|
| | mm | in | mm | in | mm | in | mm | in | mm | in | mm | in | mm | in | |
| Z6 | 132.6 | 5.22 | 137.4 | 5.40 | 20.0 | 0.80 | 40.0 | 1.60 | 65.0 | 2.60 | 43.1 | 1.70 | 80.6 | 3.20 | ✓ |
| Z8 | 173.3 | 6.82 | 182.6 | 7.20 | 20.0 | 0.80 | 40.0 | 1.60 | 65.0 | 2.60 | 65.8 | 2.60 | 100.9 | 4.00 | ✓ |
| Z10 | 214.5 | 8.44 | 226.6 | 8.90 | 20.0 | 0.80 | 50.0 | 2.00 | 73.5 | 2.90 | 87.7 | 3.50 | 121.6 | 4.80 | ✓ |

Non standard material and color:
See uni Material and Color Overview.

Machined sprocket



Please ensure that sufficient size shaft and keyway are chosen for corresponding load.

Other sprocket sizes are available upon request
 Width of tooth: 15.8 mm/0.62 in
 Width of sprocket: 42.3 mm/1.67 in
 uni Retainer Rings: See uni Retainer Ring data sheet

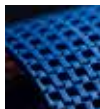
uni NH78/180615



Conveyor Belts



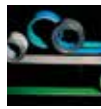
Seamless Belts



Modular Belts



Timing Belts



Transmission Belts



Fabrication & service

Expert advice, quality solutions and local service for all your belting needs
www.ammeraalbeltech.com

Ammeraal Beltech Modular A/S
 Hjulmagervej 21
 DK-7100 Vejle

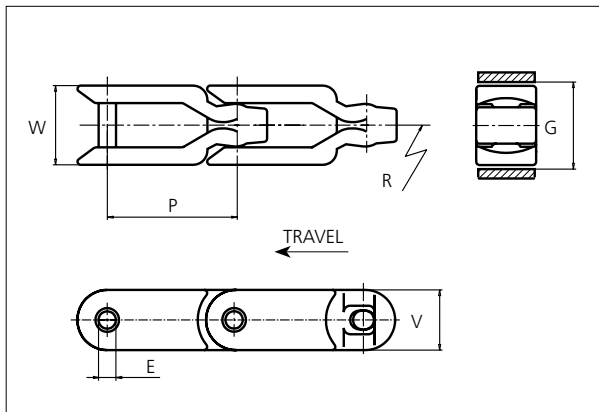
T +45 7572 3100
 F +45 7572 3348
 admin@unichains.com
 www.unichains.com

This information is subject to alteration due to continuous development. Ammeraal Beltech will not be held liable for the incorrect use of the above stated information. This information replaces previous information. All activities performed and services rendered by Ammeraal Beltech are subject to general terms and conditions of sale and delivery, as applied by its operating companies.



uni Flex Plastic Chain

Series **uni 1400** Type -



uni Flex Plastic Chain
 Side flexing chain
 Pitch: 82.5 mm (3.25 in)
 Backflex radius:
 75.0 mm (2.90 in)
 Permissible tensile strength:
 POM material 8000 N
 (1798 lbf)

 Standard shipping lengths:
 boxes of 74 links
 = 6.105 m (20.0 ft)

| E | | G | | P | | V | |
|------|------|------|------|------|------|------|------|
| mm | in | mm | in | mm | in | mm | in |
| 11.0 | 0.43 | 54.0 | 2.13 | 82.5 | 3.25 | 38.0 | 1.50 |

All dimensions are for chains in POM material.

| Width (W) | | Material & color | Pin material | Weight | | Min. radius (R) | |
|-----------|------|------------------|--------------|--------|-------|-----------------|-------|
| mm | in | | | kg/m | lb/ft | mm | in |
| 50.0 | 1.97 | POM-D | SS304 | 2.1 | 1.41 | 450 | 17.72 |

Non standard material and color: See uni Material and Color Overview.
 Non standard pin material: See uni Material and Color Overview.

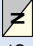
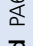
STANDARD

SIDE FLEXING

PITCH 82.5 MM/3.25 IN

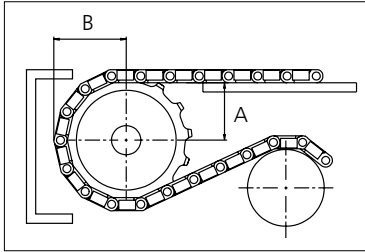


Sprocket

| No of teeth | Pitch diameter | | Overall-diameter | | Min. ø bore | | Max. ø bore | | Hub-diameter | | Dimension A | | Dimension B | | Machined  PAG  |
|-------------|----------------|-------|------------------|-------|-------------|------|-------------|------|--------------|------|-------------|------|-------------|------|--------------------------------------------------------------------------------------------------------------------------------------------------------------------------------------|
| | mm | in | mm | in | mm | in | mm | in | mm | in | mm | in | mm | in | |
| Z6 | 164.5 | 6.48 | 177.0 | 7.00 | 20.0 | 0.80 | 40.0 | 1.60 | 63.0 | 2.50 | 52.5 | 2.10 | 101.5 | 4.00 | ✓ |
| Z8 | 215.2 | 8.47 | 227.6 | 9.00 | 20.0 | 0.80 | 50.0 | 2.00 | 75.0 | 2.95 | 80.6 | 3.20 | 126.8 | 5.00 | ✓ |
| Z10 | 266.7 | 10.50 | 279.0 | 11.00 | 20.0 | 0.80 | 50.0 | 2.00 | 75.0 | 2.95 | 108.0 | 4.30 | 152.5 | 6.00 | ✓ |

Non standard material and color:
See uni Material and Color Overview.

Machined sprocket



Please ensure that sufficient size shaft and keyway are chosen for corresponding load.

Other sprocket sizes are available upon request
Width of tooth: 15.0 mm/0.59 in
Width of sprocket: 42.3 mm/1.67 in
uni Retainer Rings: See uni Retainer Ring data sheet

uni 1400 Open/160621



Conveyor Belts



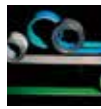
Seamless Belts



Modular Belts



Timing Belts



Transmission Belts



Fabrication & service

Solid advice
For all your belting needs
Local stock & service
www.ammeraalbeltech.com

Ammeraal Beltech Modular A/S
Hjulmagervej 21
DK-7100 Vejle

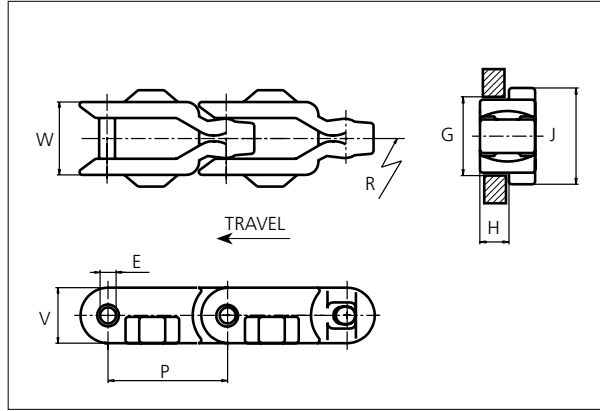
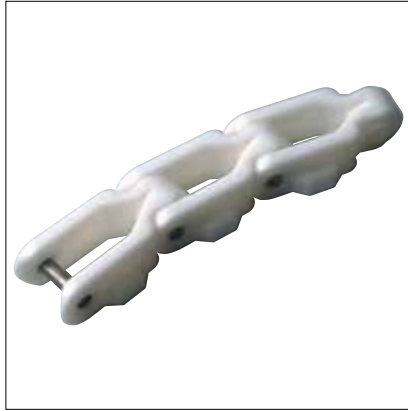
T +45 7572 3100
F +45 7572 3348
admin@unichains.com
www.unichains.com

This information is subject to alteration due to continuous development. Ammeraal Beltech will not be held liable for the incorrect use of the above stated information. This information replaces previous information. All activities performed and services rendered by Ammeraal Beltech are subject to general terms and conditions of sale and delivery, as applied by its operating companies.



uni Flex Plastic Chain

Series **uni 1400** Type **Tab**



uni Flex Plastic Chain
 Side flexing chain
 Pitch: 82.5 mm (3.25 in)
 Backflex radius: 75.0 mm (2.90 in)
 Permissible tensile strength:
 POM material 8000 N (1798 lbf)

 Standard shipping lengths:
 boxes of 74 links
 = 6.105 m (20.0 ft)

STANDARD

| E | | G | | H | | J | | P | | V | |
|------|------|------|------|------|------|------|------|------|------|------|------|
| mm | in | mm | in | mm | in | mm | in | mm | in | mm | in |
| 11.0 | 0.43 | 54.0 | 2.13 | 20.0 | 0.79 | 66.0 | 2.60 | 82.5 | 3.25 | 38.0 | 1.50 |

All dimensions are for chains in POM material.

| Width (W) | | Material & color | Pin material | Weight | | Min. radius (R) | |
|-----------|------|------------------|--------------|--------|-------|-----------------|-------|
| mm | in | | | kg/m | lb/ft | mm | in |
| 50.0 | 1.97 | POM-D W | SS304 | 2.3 | 1.55 | 450 | 17.72 |

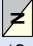
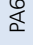
Non standard material and color: See uni Material and Color Overview.
 Non standard pin material: See uni Material and Color Overview.

SIDE FLEXING

PITCH 82.5 MM/3.25 IN

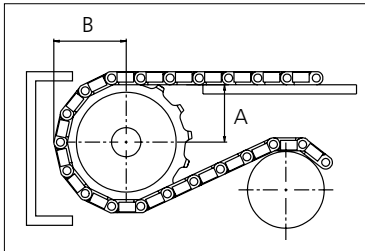


Sprocket

| No of teeth | Pitch diameter | | Overall-diameter | | Min. ø bore | | Max. ø bore | | Hub-diameter | | Dimension A | | Dimension B | | Machined  PAG  |
|-------------|----------------|-------|------------------|-------|-------------|------|-------------|------|--------------|------|-------------|------|-------------|------|--------------------------------------------------------------------------------------------------------------------------------------------------------------------------------------|
| | mm | in | mm | in | mm | in | mm | in | mm | in | mm | in | mm | in | |
| Z6 | 164.5 | 6.48 | 177.0 | 7.00 | 20.0 | 0.80 | 40.0 | 1.60 | 63.0 | 2.50 | 52.5 | 2.10 | 101.5 | 4.00 | ✓ |
| Z8 | 215.2 | 8.47 | 227.6 | 9.00 | 20.0 | 0.80 | 50.0 | 2.00 | 75.0 | 2.95 | 80.6 | 3.20 | 126.8 | 5.00 | ✓ |
| Z10 | 266.7 | 10.50 | 279.0 | 11.00 | 20.0 | 0.80 | 50.0 | 2.00 | 75.0 | 2.95 | 108.0 | 4.30 | 152.5 | 6.00 | ✓ |

Non standard material and color:
See uni Material and Color Overview.

Machined sprocket



Please ensure that sufficient size shaft and keyway are chosen for corresponding load.

Other sprocket sizes are available upon request
Width of tooth: 15.0 mm/0.59 in
Width of sprocket: 42.3 mm/1.67 in
uni Retainer Rings: See uni Retainer Ring data sheet

uni 1400 Tab/160621



Solid advice
For all your belting needs
Local stock & service
www.ammeraalbeltech.com

Ammeraal Beltech Modular A/S
Hjulmagervej 21
DK-7100 Vejle

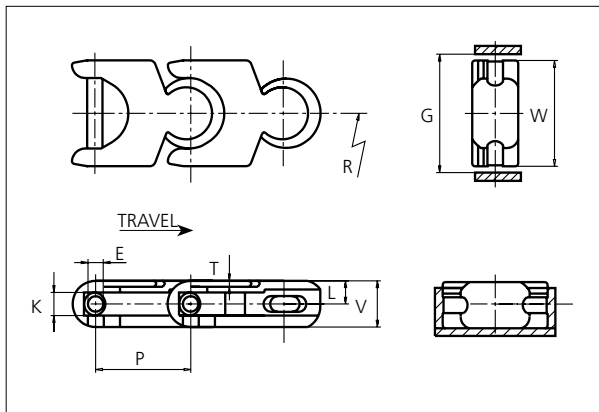
T +45 7572 3100
F +45 7572 3348
admin@unichains.com
www.unichains.com

This information is subject to alteration due to continuous development. Ammeraal Beltech will not be held liable for the incorrect use of the above stated information. This information replaces previous information. All activities performed and services rendered by Ammeraal Beltech are subject to general terms and conditions of sale and delivery, as applied by its operating companies.



uni Flex Plastic Chain

Series **uni 1700** Type -



uni Flex Plastic Chain
 Side flexing chain
 Pitch: 50.0 mm (1.97 in)
 Backflex radius: 75.0 mm (3.00 in)
 Permissible tensile strength:
 POM material 4000 N (899 lbf)

 Standard shipping lengths:
 boxes of 122 links
 = 6.100 m (20.0 ft)

STANDARD

| E | | G | | K | | L | | P | | T | | V | |
|-----|------|------|------|------|------|------|------|------|------|-----|------|------|------|
| mm | in | mm | in | mm | in | mm | in | mm | in | mm | in | mm | in |
| 8.0 | 0.31 | 59.0 | 2.32 | 11.9 | 0.37 | 12.0 | 0.47 | 50.0 | 1.97 | 3.1 | 0.12 | 24.0 | 0.94 |

All dimensions are for chains in POM material.

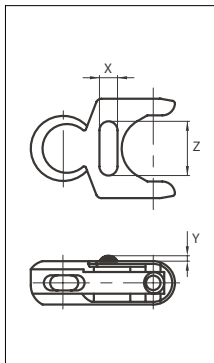
| Width (W) | | Material & color | Pin material | Weight | | Min. radius (R) | |
|-----------|------|------------------------------------------------------|--------------|--------|-------|-----------------|------|
| mm | in | | | kg/m | lb/ft | mm | in |
| 55.0 | 2.17 | POM-D W POM-D G POM-LF BR | SS304 | 1.4 | 0.94 | 150.0 | 5.91 |

Non standard material and color: See uni Material and Color Overview.
 Non standard pin material: See uni Material and Color Overview.

SIDE FLEXING

Accessories

Rubber Top



| Link material | Rubber material | X | | Z | | Y | |
|----------------|-----------------|------|------|------|------|-----|------|
| | | mm | in | mm | in | mm | in |
| POM-D W | 05 I | 10.0 | 0.39 | 30.0 | 1.18 | 3.0 | 0.12 |

When ordering, please state the required distance between the Rubber Top.

Other Non Standard rubber profiles:
 See uni Rubber Profile Overview

PITCH 50.0 MM/1.97 IN



Sprocket

| No of teeth | Pitch diameter | | Overall-diameter | | Min. ø bore | | Max. ø bore | | Hub-diameter | | Dimension A | | Dimension B | | Molded PA6 LG | Molded Cast Iron | Machined SS304 |
|-------------|----------------|------|------------------|------|-------------|------|-------------|------|--------------|------|-------------|------|-------------|------|---------------|------------------|----------------|
| | mm | in | mm | in | mm | in | mm | in | mm | in | mm | in | mm | in | ✓ | ✓ | ✓ |
| Z8 | 130.7 | 5.14 | 133.0 | 5.20 | 20.00 | 0.80 | 40.00 | 1.60 | 63.00 | 2.50 | 47.90 | 1.90 | 82.40 | 3.20 | ✓ | ✓ | ✓ |
| Z10 | 161.8 | 6.37 | 166.1 | 6.50 | 20.00 | 0.80 | 40.00 | 1.60 | 63.00 | 2.50 | 64.50 | 2.50 | 97.30 | 3.80 | ✓ | ✓ | ✓ |
| Z12 | 193.2 | 7.61 | 196.0 | 7.70 | 20.00 | 0.80 | 40.00 | 1.60 | 63.00 | 2.50 | 80.80 | 3.20 | 112.40 | 4.40 | ✓ | ✓ | |
| Z13 | 208.9 | 8.22 | 214.0 | 8.40 | 20.00 | 0.80 | 40.00 | 1.60 | 63.00 | 2.50 | 88.90 | 3.50 | 120.10 | 4.70 | ✓ | ✓ | |

Non standard material and color:
See uni Material and Color Overview.

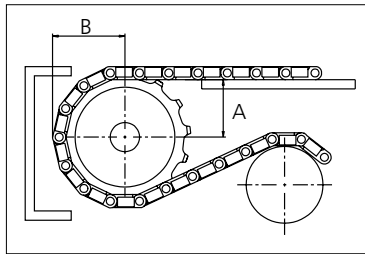
Molded sprocket



Cast iron sprocket



Machined sprocket



Please ensure that sufficient size shaft and keyway are chosen for corresponding load.

Other sprocket sizes are available upon request

Width of tooth: 11.0 mm/0.43 in

Width of sprocket: 42.3 mm/1.67 in

uni Retainer Rings: See uni Retainer Ring data sheet

uni Idler: See uni Idler data sheet

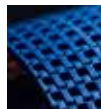
uni 1700/160621



Conveyor Belts



Seamless Belts



Modular Belts



Timing Belts



Transmission Belts



Fabrication & service

Expert advice, quality solutions and local service for all your belting needs
www.ammeraalbeltech.com

Ammeraal Beltech Modular A/S
Hjulmagervej 21
DK-7100 Vejle

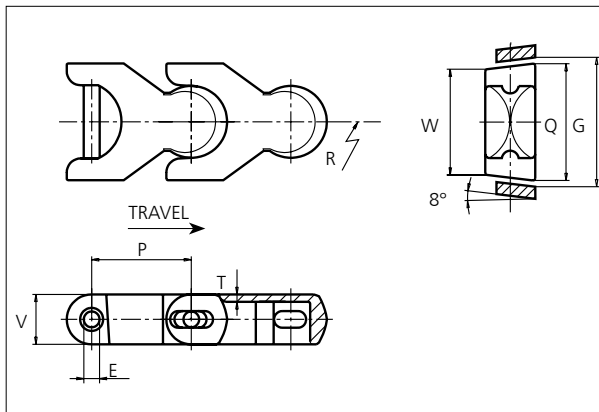
T +45 7572 3100
F +45 7572 3348
admin@unichains.com
www.unichains.com

This information is subject to alteration due to continuous development. Ammeraal Beltech will not be held liable for the incorrect use of the above stated information. This information replaces previous information. All activities performed and services rendered by Ammeraal Beltech are subject to general terms and conditions of sale and delivery, as applied by its operating companies.



uni Flex Plastic Chain

Series **uni 1701** Type -



uni Flex Plastic Chain
 Side flexing chain
 Pitch: 50.0 mm (1.97 in)
 Backflex radius: 75.0 mm (3.00 in)
 Permissible tensile strength:
 POM material 4000 N (899 lbf)

 Standard shipping lengths:
 boxes of 122 links
 = 6.100 m (20.0 ft)

STANDARD

| E | | G (curve) | | G (straight) | | P | | Q | | T | | V | |
|-----|------|-----------|------|--------------|------|------|------|------|------|-----|------|------|------|
| mm | in | mm | in | mm | in | mm | in | mm | in | mm | in | mm | in |
| 8.0 | 0.31 | 60.0 | 2.37 | 62.0 | 2.44 | 50.0 | 1.97 | 58.4 | 2.30 | 3.9 | 0.15 | 25.0 | 0.98 |

All dimensions are for chains in POM material.

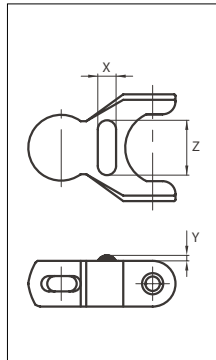
| Width (W) | | Material & color | Pin material | Weight | | Min. radius (R) | |
|-----------|------|------------------------------------------------------|--------------|--------|-------|-----------------|------|
| mm | in | | | kg/m | lb/ft | mm | in |
| 52.4 | 2.06 | POM-D W POM-D G POM-LF BR | SS304 | 1.5 | 1.01 | 150.0 | 5.91 |

Non standard material and color: See uni Material and Color Overview.
 Non standard pin material: See uni Material and Color Overview.

SIDE FLEXING

Accessories

Rubber Top



| Link material | Rubber material | X | | Z | | Y | |
|----------------|-----------------|------|------|------|------|-----|------|
| | | mm | in | mm | in | mm | in |
| POM-D W | 05 I | 10.0 | 0.39 | 30.0 | 1.18 | 3.0 | 0.12 |

When ordering, please state the required distance between the Rubber Top.

Other Non Standard rubber profiles:
 See uni Rubber Profile Overview

PITCH 50.0 MM/1.97 IN



Sprocket

| No of teeth | Pitch diameter | | Overall-diameter | | Min. ø bore | | Max. ø bore | | Hub-diameter | | Dimension A | | Dimension B | | Molded PA6 LG | Molded Cast Iron | Machined SS304 |
|-------------|----------------|------|------------------|------|-------------|------|-------------|------|--------------|------|-------------|------|-------------|------|---------------|------------------|----------------|
| | mm | in | mm | in | mm | in | mm | in | mm | in | mm | in | mm | in | ✓ | ✓ | ✓ |
| Z8 | 130.7 | 5.14 | 133.0 | 5.20 | 20.00 | 0.80 | 40.00 | 1.60 | 63.00 | 2.50 | 47.90 | 1.90 | 82.40 | 3.20 | ✓ | ✓ | ✓ |
| Z10 | 161.8 | 6.37 | 166.1 | 6.50 | 20.00 | 0.80 | 40.00 | 1.60 | 63.00 | 2.50 | 64.50 | 2.50 | 97.30 | 3.80 | ✓ | ✓ | ✓ |
| Z12 | 193.2 | 7.61 | 196.0 | 7.70 | 20.00 | 0.80 | 40.00 | 1.60 | 63.00 | 2.50 | 80.80 | 3.20 | 112.40 | 4.40 | ✓ | ✓ | |
| Z13 | 208.9 | 8.22 | 214.0 | 8.40 | 20.00 | 0.80 | 40.00 | 1.60 | 63.00 | 2.50 | 88.90 | 3.50 | 120.10 | 4.70 | ✓ | ✓ | |

Molded sprocket



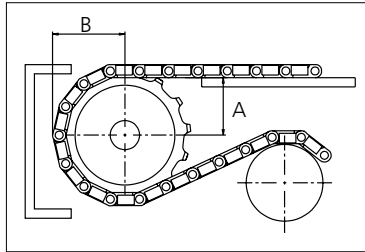
Cast iron sprocket



Machined sprocket



Non standard material and color:
See uni Material and Color Overview.



Please ensure that sufficient size shaft and keyway are chosen for corresponding load.

Other sprocket sizes are available upon request

Width of tooth: 11.0 mm/0.43 in

Width of sprocket: 42.3 mm/1.67 in

uni Retainer Rings: See uni Retainer Ring data sheet

uni Idler: See uni Idler data sheet

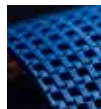
uni 1701/160621



Conveyor Belts



Seamless Belts



Modular Belts



Timing Belts



Transmission Belts



Fabrication & service

Expert advice, quality solutions and local service for all your belting needs
www.ammeraalbeltech.com

Ammeraal Beltech Modular A/S
Hjulmagervej 21
DK-7100 Vejle

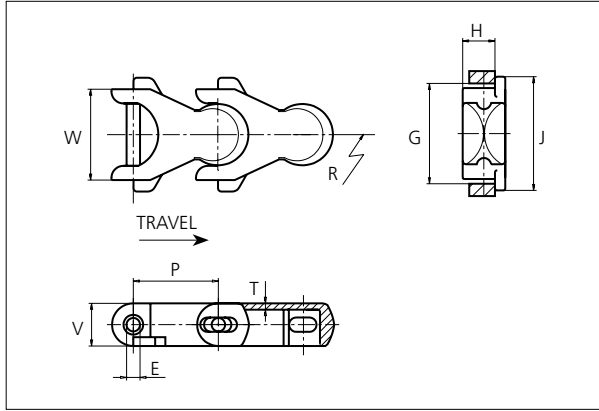
T +45 7572 3100
F +45 7572 3348
admin@unichains.com
www.unichains.com

This information is subject to alteration due to continuous development. Ammeraal Beltech will not be held liable for the incorrect use of the above stated information. This information replaces previous information. All activities performed and services rendered by Ammeraal Beltech are subject to general terms and conditions of sale and delivery, as applied by its operating companies.



uni Flex Plastic Chain

Series **uni 1701** Type **Tab**



uni Flex Plastic Chain
 Side flexing chain
 Pitch: 50.0 mm (1.97 in)
 Backflex radius: 75.0 mm (3.00 in)
 Permissible tensile strength:
 POM material 4000 N (899 lbf)

 Standard shipping lengths:
 boxes of 122 links
 = 6.100 m (20.0 ft)

STANDARD

| E | | G | | H | | J | | P | | T | | V | |
|-----|------|------|------|------|------|------|------|------|------|-----|------|------|------|
| mm | in | mm | in | mm | in | mm | in | mm | in | mm | in | mm | in |
| 8.0 | 0.31 | 56.0 | 2.20 | 19.0 | 0.75 | 66.7 | 2.63 | 50.0 | 1.97 | 3.9 | 0.15 | 25.0 | 0.98 |

All dimensions are for chains in POM material.

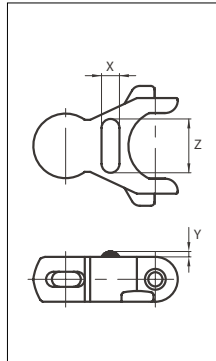
| Width (W) | | Material & color | Pin material | Weight | | Min. radius (R) | |
|-----------|------|------------------------------------------------------|--------------|--------|-------|-----------------|------|
| mm | in | | | kg/m | lb/ft | mm | in |
| 53.3 | 2.10 | POM-D W POM-D G POM-LF BR | SS304 | 1.5 | 1.01 | 150.0 | 5.91 |

Non standard material and color: See uni Material and Color Overview.
 Non standard pin material: See uni Material and Color Overview.

SIDE FLEXING

Accessories

Rubber Top



| Link material | Rubber material | X | | Z | | Y | |
|----------------|-----------------|------|------|------|------|-----|------|
| | | mm | in | mm | in | mm | in |
| POM-D W | 05 I | 10.0 | 0.39 | 30.0 | 1.18 | 3.0 | 0.12 |

When ordering, please state the required distance between the Rubber Top.

Other Non Standard rubber profiles:
 See uni Rubber Profile Overview

PITCH 50.0 MM/1.97 IN



Sprocket

| No of teeth | Pitch diameter | | Overall-diameter | | Min. ø bore | | Max. ø bore | | Hub-diameter | | Dimension A | | Dimension B | | Molded PA6 LG | Molded Cast Iron | Machined SS304 |
|-------------|----------------|------|------------------|------|-------------|------|-------------|------|--------------|------|-------------|------|-------------|------|---------------|------------------|----------------|
| | mm | in | mm | in | mm | in | mm | in | mm | in | mm | in | mm | in | ✓ | ✓ | ✓ |
| Z8 | 130.7 | 5.14 | 133.0 | 5.20 | 20.00 | 0.80 | 40.00 | 1.60 | 63.00 | 2.50 | 47.90 | 1.90 | 82.40 | 3.20 | ✓ | ✓ | ✓ |
| Z10 | 161.8 | 6.37 | 166.1 | 6.50 | 20.00 | 0.80 | 40.00 | 1.60 | 63.00 | 2.50 | 64.50 | 2.50 | 97.30 | 3.80 | ✓ | ✓ | ✓ |
| Z12 | 193.2 | 7.61 | 196.0 | 7.70 | 20.00 | 0.80 | 40.00 | 1.60 | 63.00 | 2.50 | 80.80 | 3.20 | 112.40 | 4.40 | ✓ | ✓ | |
| Z13 | 208.9 | 8.22 | 214.0 | 8.40 | 20.00 | 0.80 | 40.00 | 1.60 | 63.00 | 2.50 | 88.90 | 3.50 | 120.10 | 4.70 | ✓ | ✓ | |

Molded sprocket



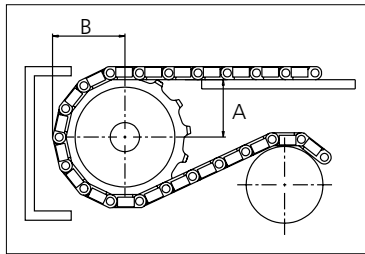
Cast iron sprocket



Machined sprocket



Non standard material and color:
See uni Material and Color Overview.



Please ensure that sufficient size shaft and keyway are chosen for corresponding load.

Other sprocket sizes are available upon request

Width of tooth: 11.0 mm/0.43 in

Width of sprocket: 42.3 mm/1.67 in

uni Retainer Rings: See uni Retainer Ring data sheet

uni Idler: See uni Idler data sheet

uni 1701 Tab/160621



Conveyor Belts



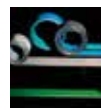
Seamless Belts



Modular Belts



Timing Belts



Transmission Belts



Fabrication & service

Expert advice, quality solutions and local service for all your belting needs
www.ammeraalbeltech.com

Ammeraal Beltech Modular A/S
Hjulmagervej 21
DK-7100 Vejle

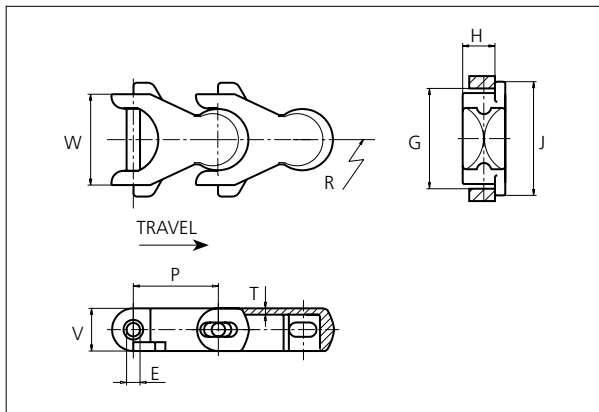
T +45 7572 3100
F +45 7572 3348
admin@unichains.com
www.unichains.com

This information is subject to alteration due to continuous development. Ammeraal Beltech will not be held liable for the incorrect use of the above stated information. This information replaces previous information. All activities performed and services rendered by Ammeraal Beltech are subject to general terms and conditions of sale and delivery, as applied by its operating companies.



uni Flex Plastic Chain

Series **uni 1701** Type **Tab R**



uni Flex Plastic Chain
 Side flexing chain
 Pitch: 50.0 mm (1.97 in)
 Backflex radius:
 75.0 mm (3.00 in)
 Permissible tensile strength:
 POM material 4000 N (899 lbf)

 Standard shipping lengths:
 boxes of 122 links
 = 6.105 m (20.0 ft)

| E | | G* | | H | | J | | P | | T | | V | |
|-----|------|------|------|------|------|------|------|------|------|-----|------|------|------|
| mm | in | mm | in | mm | in | mm | in | mm | in | mm | in | mm | in |
| 8.0 | 0.31 | 56.0 | 2.20 | 19.0 | 0.75 | 66.7 | 2.63 | 50.0 | 1.97 | 3.9 | 0.15 | 25.0 | 0.98 |

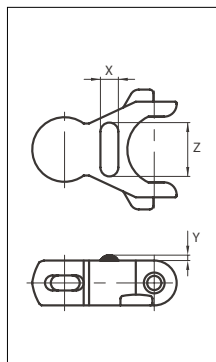
All dimensions are for chains in POM material.
 * G = 55 mm (2.17 in) when R > 500 mm (19.69 in).

| Width (W) | | Material & color | Pin material | Weight | | Min. radius (R) | |
|-----------|------|------------------|--------------|--------|-------|-----------------|------|
| mm | in | | | kg/m | lb/ft | mm | in |
| 53.2 | 2.09 | POM-LF BR | SS304 | 1.5 | 1.01 | 125.0 | 4.92 |

Non standard material and color: See uni Material and Color Overview.
 Non standard pin material: See uni Material and Color Overview.

Accessories

Rubber Top



When ordering, please state the required distance between the Rubber Top.

Other Non Standard rubber profiles:
 See uni Rubber Profile Overview

| Link material | Rubber material | X | | Z | | Y | |
|------------------|-----------------|------|------|------|------|-----|------|
| | | mm | in | mm | in | mm | in |
| POM-LF BR | 05 I | 10.0 | 0.39 | 25.0 | 0.98 | 3.0 | 0.12 |

STANDARD

SIDE FLEXING

PITCH 50.0 MM/1.97 IN



Sprocket

| No of teeth | Pitch diameter | | Overall-diameter | | Min. ø bore | | Max. ø bore | | Hub-diameter | | Dimension A | | Dimension B | | Molded PA6 LG | Molded Cast Iron | Machined SS304 |
|-------------|----------------|------|------------------|------|-------------|------|-------------|------|--------------|------|-------------|------|-------------|------|---------------|------------------|----------------|
| | mm | in | mm | in | mm | in | mm | in | mm | in | mm | in | mm | in | ✓ | ✓ | ✓ |
| Z8 | 130.7 | 5.14 | 133.0 | 5.20 | 20.00 | 0.80 | 40.00 | 1.60 | 63.00 | 2.50 | 47.90 | 1.90 | 82.40 | 3.20 | ✓ | ✓ | ✓ |
| Z10 | 161.8 | 6.37 | 166.1 | 6.50 | 20.00 | 0.80 | 40.00 | 1.60 | 63.00 | 2.50 | 64.50 | 2.50 | 97.30 | 3.80 | ✓ | ✓ | ✓ |
| Z12 | 193.2 | 7.61 | 196.0 | 7.70 | 20.00 | 0.80 | 40.00 | 1.60 | 63.00 | 2.50 | 80.80 | 3.20 | 112.40 | 4.40 | ✓ | ✓ | |
| Z13 | 208.9 | 8.22 | 214.0 | 8.40 | 20.00 | 0.80 | 40.00 | 1.60 | 63.00 | 2.50 | 88.90 | 3.50 | 120.10 | 4.70 | ✓ | ✓ | |

Non standard material and color:
See uni Material and Color Overview.

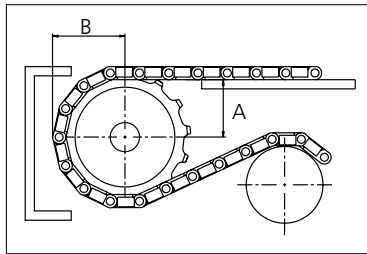
Molded sprocket



Cast iron sprocket



Machined sprocket



Please ensure that sufficient size shaft and keyway are chosen for corresponding load.

Other sprocket sizes are available upon request

Width of tooth: 11.0 mm/0.43 in

Width of sprocket: 42.3 mm/1.67 in

uni Retainer Rings: See uni Retainer Ring data sheet

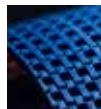
uni Idler: See uni Idler data sheet



Conveyor Belts



Seamless Belts



Modular Belts



Timing Belts



Transmission Belts



Fabrication & service

Expert advice, quality solutions and local service for all your belting needs
www.ammeraalbeltech.com

Ammeraal Beltech Modular A/S
Hjulmagervej 21
DK-7100 Vejle

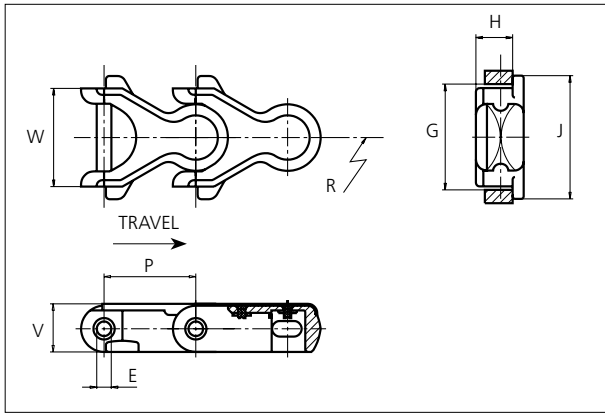
T +45 7572 3100
F +45 7572 3348
admin@unichains.com
www.unichains.com

This information is subject to alteration due to continuous development. Ammeraal Beltech will not be held liable for the incorrect use of the above stated information. This information replaces previous information. All activities performed and services rendered by Ammeraal Beltech are subject to general terms and conditions of sale and delivery, as applied by its operating companies.



uni Flex Plastic Chain

Series **uni 1701** Type **Tab R ST**



uni Flex Plastic Chain
 Side flexing chain
 Pitch: 50.0 mm (1.97 in)
 Backflex radius:
 75.0 mm (3.00 in)
 Permissible tensile strength:
 POM material 4000 N (899 lbf)
 Standard shipping lengths:
 boxes of 122 links
 = 6.105 m (20.0 ft)
 Steel top cover: SS430
 thickness 1.0 mm (0.04 in)

NON STANDARD

| E | | G | | H | | J | | P | | V | |
|-----|------|------|------|------|------|------|------|------|------|------|------|
| mm | in | mm | in | mm | in | mm | in | mm | in | mm | in |
| 8.0 | 0.31 | 56.0 | 2.20 | 20.0 | 0.79 | 66.7 | 2.63 | 50.0 | 1.97 | 26.0 | 1.02 |

All dimensions are for chains in POM material.

| Width (W) | | Recommended material & color | Recommended pin material | Weight | | Min. radius (R) | |
|-----------|------|------------------------------|--------------------------|--------|-------|-----------------|------|
| mm | in | | | kg/m | lb/ft | mm | in |
| 53.3 | 2.10 | POM-LF BR | SS304 | - | - | 125.0 | 4.92 |

Non standard material and color: See uni Material and Color Overview.
 Non standard pin material: See uni Material and Color Overview.

SIDE FLEXING

PITCH 50.0 MM/1.97 IN



Sprocket

| No of teeth | Pitch diameter | | Overall-diameter | | Min. ø bore | | Max. ø bore | | Hub-diameter | | Dimension A | | Dimension B | | Molded PA6 LG | Molded Cast Iron | Machined PA6 | Machined SS304 |
|-------------|----------------|------|------------------|------|-------------|------|-------------|------|--------------|------|-------------|------|-------------|------|---------------|------------------|--------------|----------------|
| | mm | in | mm | in | mm | in | mm | in | mm | in | mm | in | mm | in | ✓ | ✓ | ✓ | ✓ |
| Z8 | 130.7 | 5.14 | 133.0 | 5.20 | 20.00 | 0.80 | 40.00 | 1.60 | 63.00 | 2.50 | 47.90 | 1.90 | 82.40 | 3.20 | ✓ | ✓ | ✓ | ✓ |
| Z10 | 161.8 | 6.37 | 166.1 | 6.50 | 20.00 | 0.80 | 40.00 | 1.60 | 63.00 | 2.50 | 64.50 | 2.50 | 97.30 | 3.80 | ✓ | ✓ | ✓ | ✓ |
| Z12 | 193.2 | 7.61 | 196.0 | 7.70 | 20.00 | 0.80 | 40.00 | 1.60 | 63.00 | 2.50 | 80.80 | 3.20 | 112.40 | 4.40 | ✓ | ✓ | ✓ | |
| Z13 | 208.9 | 8.22 | 214.0 | 8.40 | 20.00 | 0.80 | 40.00 | 1.60 | 63.00 | 2.50 | 88.90 | 3.50 | 120.10 | 4.70 | ✓ | ✓ | ✓ | |

Molded sprocket



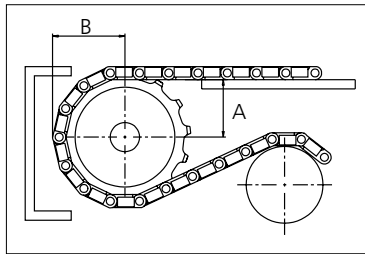
Cast iron sprocket



Machined sprocket



Non standard material and color:
See uni Material and Color Overview.



Please ensure that sufficient size shaft and keyway are chosen for corresponding load.

Other sprocket sizes are available upon request

Width of tooth: 11.0 mm/0.43 in

Width of sprocket: 42.3 mm/1.67 in

uni Retainer Rings: See uni Retainer Ring data sheet

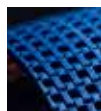
uni Idler: See uni Idler data sheet



Conveyor Belts



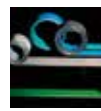
Seamless Belts



Modular Belts



Timing Belts



Transmission Belts



Fabrication & service

Expert advice, quality solutions and local service for all your belting needs
www.ammeraalbeltech.com

Ammeraal Beltech Modular A/S
Hjulmagervej 21
DK-7100 Vejle

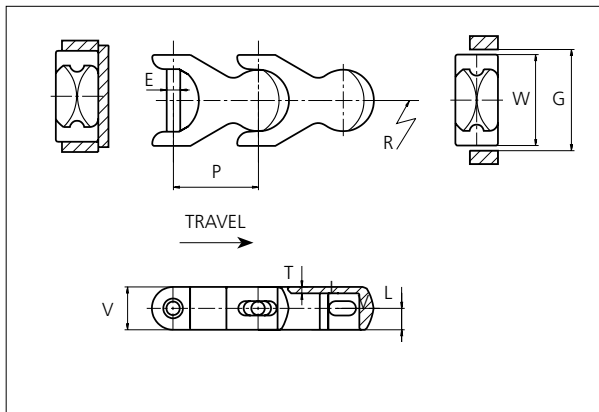
T +45 7572 3100
F +45 7572 3348
admin@unichains.com
www.unichains.com

This information is subject to alteration due to continuous development. Ammeraal Beltech will not be held liable for the incorrect use of the above stated information. This information replaces previous information. All activities performed and services rendered by Ammeraal Beltech are subject to general terms and conditions of sale and delivery, as applied by its operating companies.



uni Flex Plastic Chain

Series **uni 1702** Type -



uni Flex Plastic Chain
 Side flexing chain
 Pitch: 50.0 mm (1.97 in)
 Backflex radius: 75.0 mm (3.00 in)
 Permissible tensile strength:
 POM material 4000 N (899 lbf)

 Standard shipping lengths:
 boxes of 122 links
 = 6.100 m (20.0 ft)

STANDARD

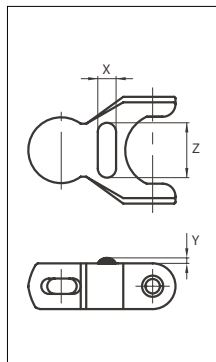
| E | | G | | L | | P | | T | | V | |
|-----|-------|------|------|------|------|------|------|-----|------|------|------|
| mm | in | mm | in | mm | in | mm | in | mm | in | mm | in |
| 8.0 | 56.90 | 59.0 | 2.24 | 12.7 | 0.50 | 50.0 | 1.97 | 3.5 | 0.14 | 25.0 | 0.98 |

| Width (W) | | Material & color | Pin material | Weight | | Min. radius (R) | |
|-----------|------|---------------------------------------------------------------------------|--------------|--------|-------|-----------------|------|
| mm | in | | | kg/m | lb/ft | mm | in |
| 53.3 | 2.10 | POM-D W POM-D G POM-LF BR POM-SLF DG | SS304 | 1.5 | 1.01 | 150.0 | 5.91 |

SIDE FLEXING

Accessories

Rubber Top



When ordering, please state the required distance between the Rubber Top.

Other Non Standard rubber profiles:
 See uni Rubber Profile Overview

| Link material | Rubber material | X | | Z | | Y | |
|----------------|-----------------|------|------|------|------|-----|------|
| | | mm | in | mm | in | mm | in |
| POM-D W | 05 I | 10.0 | 0.39 | 30.0 | 1.18 | 3.0 | 0.12 |

PITCH 50.0 MM/1.97 IN



Sprocket

| No of teeth | Pilot bore | Pitch diameter | | Overall-diameter | | Min. ø bore | | Max. ø bore | | Hub-diameter | | A-dimension | | B-dimension | | One row / Two way | Molded PA6 LG |
|-------------|------------|----------------|------|------------------|------|-------------|------|-------------|------|--------------|------|-------------|------|-------------|------|-------------------|---------------|
| | | mm | in | mm | in | mm | in | mm | in | mm | in | mm | in | mm | in | | |
| Z8 | ✓ | 130.7 | 5.14 | 133.0 | 5.20 | 20.00 | 0.80 | 40.00 | 1.60 | 63.00 | 2.50 | 47.90 | 1.90 | 82.40 | 3.20 | ✓ | ✓ |
| Z10 | ✓ | 161.8 | 6.37 | 166.1 | 6.50 | 20.00 | 0.80 | 40.00 | 1.60 | 63.00 | 2.50 | 64.50 | 2.50 | 97.30 | 3.80 | ✓ | ✓ |
| Z12 | ✓ | 193.2 | 7.61 | 196.0 | 7.70 | 20.00 | 0.80 | 40.00 | 1.60 | 63.00 | 2.50 | 80.80 | 3.20 | 112.40 | 4.40 | ✓ | ✓ |
| Z13 | ✓ | 208.9 | 8.22 | 214.0 | 8.40 | 20.00 | 0.80 | 40.00 | 1.60 | 63.00 | 2.50 | 88.90 | 3.50 | 120.10 | 4.70 | ✓ | ✓ |

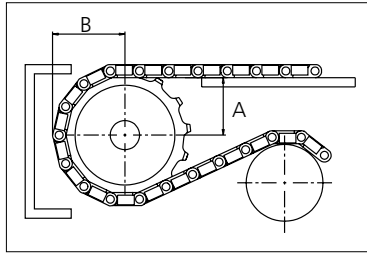
Molded sprocket



Cast iron sprocket



Machined sprocket



Please ensure that sufficient size shaft and keyway are chosen for corresponding load.

Other sprocket sizes are available upon request

Width of tooth: 11.0 mm/0.43 in

Width of sprocket: 42.3 mm/1.67 in

uni Retainer Rings: See uni Retainer Ring data sheet

uni Idler: See uni Idler data sheet

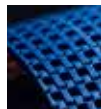
uni 1702/160621



Conveyor Belts



Seamless Belts



Modular Belts



Timing Belts



Transmission Belts



Fabrication & service

Expert advice, quality solutions and local service for all your belting needs
www.ammeraalbeltech.com

Ammeraal Beltech Modular A/S
 Hjulmagervej 21
 DK-7100 Vejle

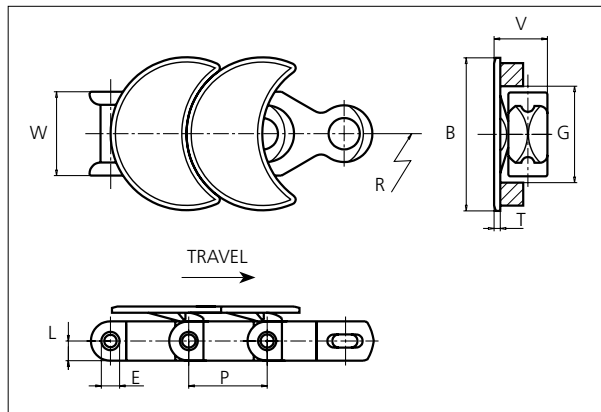
T +45 7572 3100
 F +45 7572 3348
 admin@unichains.com
 www.unichains.com

This information is subject to alteration due to continuous development. Ammeraal Beltech will not be held liable for the incorrect use of the above stated information. This information replaces previous information. All activities performed and services rendered by Ammeraal Beltech are subject to general terms and conditions of sale and delivery, as applied by its operating companies.



uni Flex Plastic Chain

Series **uni 1702** Type **H**



uni Flex Plastic Chain
 Side flexing chain
 Pitch: 50.0 mm (1.97 in)
 Permissible tensile strength:
 POM material 4000 N (899 lbf)

 Standard shipping lengths:
 boxes of 61 links
 = 3.050 m (10.0 ft)

| B | | E | | G | | L | | P | | T | | V | |
|------|------|-----|------|------|------|------|------|------|------|-----|------|------|------|
| mm | in | mm | in | mm | in | mm | in | mm | in | mm | in | mm | in |
| 98.0 | 3.86 | 8.0 | 0.31 | 56.9 | 2.24 | 12.7 | 0.50 | 50.0 | 1.97 | 4.0 | 0.16 | 35.0 | 1.38 |

All dimensions are for chains in POM material.

| Width (W) | | Recommended base material & color | Recommended plate material | Weight | | Min. radius (R) | |
|-----------|------|------------------------------------------------------|----------------------------------------------------------|--------|-------|-----------------|------|
| mm | in | | | kg/m | lb/ft | mm | in |
| 53.3 | 2.10 | POM-D W POM-D G POM-LF BR | POM-SLF W POM-SLF G POM-LF BR | - | - | 150.0 | 5.91 |

Non standard material and color: See uni Material and Color Overview.

Non standard pin material: See uni Material and Color Overview.

NON STANDARD

SIDE FLEXING

PITCH 50.0 MM/1.97 IN



Sprocket

| No of teeth | Pitch diameter | | Overall-diameter | | Min. ø bore | | Max. ø bore | | Hub-diameter | | Dimension A | | Dimension B | | Molded PA6 LG | Molded Cast Iron | Machined SS304 |
|-------------|----------------|------|------------------|------|-------------|------|-------------|------|--------------|------|-------------|------|-------------|------|---------------|------------------|----------------|
| | mm | in | mm | in | mm | in | mm | in | mm | in | mm | in | mm | in | ✓ | ✓ | ✓ |
| Z8 | 130.7 | 5.14 | 133.0 | 5.20 | 20.00 | 0.80 | 40.00 | 1.60 | 63.00 | 2.50 | 47.90 | 1.90 | 82.40 | 3.20 | ✓ | ✓ | ✓ |
| Z10 | 161.8 | 6.37 | 166.1 | 6.50 | 20.00 | 0.80 | 40.00 | 1.60 | 63.00 | 2.50 | 64.50 | 2.50 | 97.30 | 3.80 | ✓ | ✓ | ✓ |
| Z12 | 193.2 | 7.61 | 196.0 | 7.70 | 20.00 | 0.80 | 40.00 | 1.60 | 63.00 | 2.50 | 80.80 | 3.20 | 112.40 | 4.40 | ✓ | ✓ | |
| Z13 | 208.9 | 8.22 | 214.0 | 8.40 | 20.00 | 0.80 | 40.00 | 1.60 | 63.00 | 2.50 | 88.90 | 3.50 | 120.10 | 4.70 | ✓ | ✓ | |

Molded sprocket



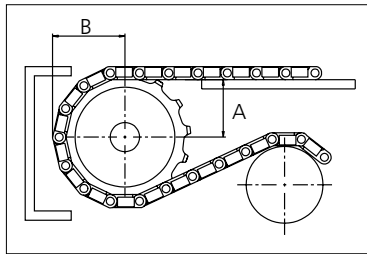
Cast iron sprocket



Machined sprocket



Non standard material and color:
See uni Material and Color Overview.



Please ensure that sufficient size shaft and keyway are chosen for corresponding load.

Other sprocket sizes are available upon request

Width of tooth: 11.0 mm/0.43 in

Width of sprocket: 42.3 mm/1.67 in

uni Retainer Rings: See uni Retainer Ring data sheet

uni Idler: See uni Idler data sheet

uni 1702 HV/160621



Conveyor Belts



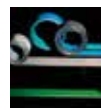
Seamless Belts



Modular Belts



Timing Belts



Transmission Belts



Fabrication & service

Expert advice, quality solutions and local service for all your belting needs
www.ammeraalbeltech.com

Ammeraal Beltech Modular A/S
Hjulmagervej 21
DK-7100 Vejle

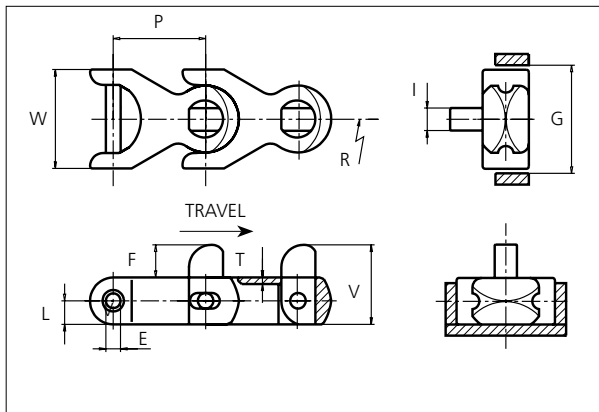
T +45 7572 3100
F +45 7572 3348
admin@unichains.com
www.unichains.com

This information is subject to alteration due to continuous development. Ammeraal Beltech will not be held liable for the incorrect use of the above stated information. This information replaces previous information. All activities performed and services rendered by Ammeraal Beltech are subject to general terms and conditions of sale and delivery, as applied by its operating companies.



uni Flex Plastic Chain

Series **uni 1702** Type **M**



uni Flex Plastic Chain
 Side flexing chain
 Pitch: 50.0 mm (1.97 in)
 Backflex radius: 125.0 mm (4.90 in)
 Permissible tensile strength:
 POM material 4000 N (899 lbf)

 Standard shipping lengths:
 boxes of 122 links
 = 6.100 m (20.0 ft)

STANDARD

| E | | F | | G | | I | | L | | P | | T | | V | |
|-----|------|------|------|------|------|------|------|------|------|------|------|-----|------|------|------|
| mm | in | mm | in | mm | in | mm | in | mm | in | mm | in | mm | in | mm | in |
| 8.0 | 0.31 | 17.5 | 0.69 | 56.9 | 2.24 | 12.0 | 0.47 | 12.7 | 0.50 | 50.0 | 1.97 | 3.5 | 0.14 | 42.5 | 1.67 |

All dimensions are for chains in POM material.

| Width (W) | | Base material & color | Peg material | Pin material | Weight | | Min. radius (R) | |
|-----------|------|-----------------------|----------------------------------|--------------|--------|-------|-----------------|------|
| mm | in | | | | kg/m | lb/ft | mm | in |
| 53.3 | 2.10 | POM-D W | POM-D W POM-D G | SS304 | 1.5 | 1.01 | 150.0 | 5.91 |

Non standard material and color: See uni Material and Color Overview.

Non standard pin material: See uni Material and Color Overview.

When ordering, please state the required distance between the pegs.

SIDE FLEXING

PITCH 50.0 MM/1.97 IN



Sprocket

| No of teeth | Pitch diameter | | Overall-diameter | | Min. ø bore | | Max. ø bore | | Hub-diameter | | Dimension A | | Dimension B | | Molded PA6 LG | Molded Cast Iron | Machined SS304 |
|-------------|----------------|------|------------------|------|-------------|------|-------------|------|--------------|------|-------------|------|-------------|------|---------------|------------------|----------------|
| | mm | in | mm | in | mm | in | mm | in | mm | in | mm | in | mm | in | ✓ | ✓ | ✓ |
| Z8 | 130.7 | 5.14 | 133.0 | 5.20 | 20.00 | 0.80 | 40.00 | 1.60 | 63.00 | 2.50 | 47.90 | 1.90 | 82.40 | 3.20 | ✓ | ✓ | ✓ |
| Z10 | 161.8 | 6.37 | 166.1 | 6.50 | 20.00 | 0.80 | 40.00 | 1.60 | 63.00 | 2.50 | 64.50 | 2.50 | 97.30 | 3.80 | ✓ | ✓ | ✓ |
| Z12 | 193.2 | 7.61 | 196.0 | 7.70 | 20.00 | 0.80 | 40.00 | 1.60 | 63.00 | 2.50 | 80.80 | 3.20 | 112.40 | 4.40 | ✓ | ✓ | |
| Z13 | 208.9 | 8.22 | 214.0 | 8.40 | 20.00 | 0.80 | 40.00 | 1.60 | 63.00 | 2.50 | 88.90 | 3.50 | 120.10 | 4.70 | ✓ | ✓ | |

Molded sprocket



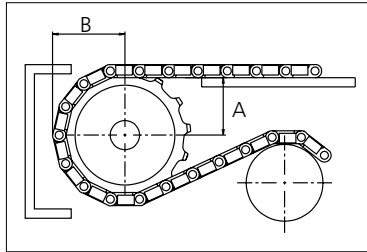
Cast iron sprocket



Machined sprocket



Non standard material and color:
See uni Material and Color Overview.



Please ensure that sufficient size shaft and keyway are chosen for corresponding load.

Other sprocket sizes are available upon request.

Width of tooth: 11.0 mm/0.43 in

Width of sprocket: 42.3 mm/1.67 in

uni Retainer Rings: See uni Retainer Ring data sheet.

uni Idler: See uni Idler data sheet.

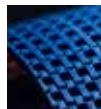
uni 1702 M/160621



Conveyor Belts



Seamless Belts



Modular Belts



Timing Belts



Transmission Belts



Fabrication & service

Expert advice, quality solutions and local service for all your belting needs
www.ammeraalbeltech.com

Ammeraal Beltech Modular A/S
Hjulmagervej 21
DK-7100 Vejle

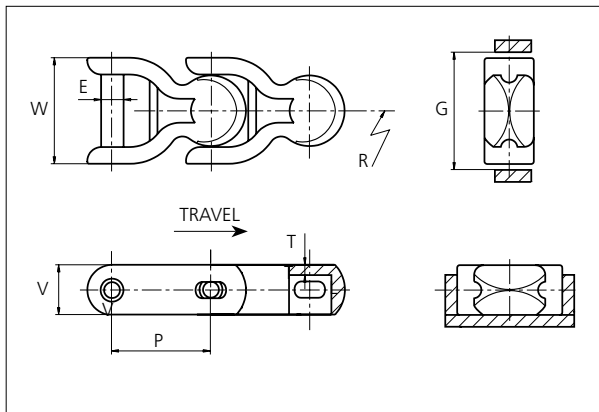
T +45 7572 3100
F +45 7572 3348
admin@unichains.com
www.unichains.com

This information is subject to alteration due to continuous development. Ammeraal Beltech will not be held liable for the incorrect use of the above stated information. This information replaces previous information. All activities performed and services rendered by Ammeraal Beltech are subject to general terms and conditions of sale and delivery, as applied by its operating companies.



uni Flex Plastic Chain

Series **uni 1703** Type -



uni Flex Plastic Chain
 Side flexing chain
 Pitch: 50.0 mm (1.97 in)
 Backflex radius: 75.0 mm (3.00 in)
 Permissible tensile strength:
 POM material 4000 N (899 lbf)
 AR material 2800 N (630 lbf)

 Standard shipping lengths:
 boxes of 122 links
 = 6.100 m (20.0 ft)

| E | | G | | P | | T | | V | |
|-----|------|------|------|------|------|-----|------|------|------|
| mm | in | mm | in | mm | in | mm | in | mm | in |
| 8.0 | 0.31 | 56.9 | 2.24 | 50.0 | 1.97 | 4.0 | 0.16 | 25.0 | 0.98 |

All dimensions are for chains in POM material.

| Width (W) | | Material & color | Pin material | Weight | | Min. radius (R) | |
|-----------|------|-------------------------------|--------------|--------|-------|-----------------|------|
| mm | in | | | kg/m | lb/ft | mm | in |
| 53.3 | 2.10 | POM-D W AR W | SS304 | 1.4 | 0.94 | 150.0 | 5.91 |

Non standard material and color: See uni Material and Color Overview.
 Non standard pin material: See uni Material and Color Overview.

STANDARD

SIDE FLEXING

PITCH 50.0 MM/1.97 IN



Sprocket

| No of teeth | Pitch diameter | | Overall-diameter | | Min. ø bore | | Max. ø bore | | Hub-diameter | | Dimension A | | Dimension B | | Molded PA6 LG | Molded Cast Iron | Machined SS304 |
|-------------|----------------|------|------------------|------|-------------|------|-------------|------|--------------|------|-------------|------|-------------|------|---------------|------------------|----------------|
| | mm | in | mm | in | mm | in | mm | in | mm | in | mm | in | mm | in | ✓ | ✓ | ✓ |
| Z8 | 130.7 | 5.14 | 133.0 | 5.20 | 20.00 | 0.80 | 40.00 | 1.60 | 63.00 | 2.50 | 47.90 | 1.90 | 82.40 | 3.20 | ✓ | ✓ | ✓ |
| Z10 | 161.8 | 6.37 | 166.1 | 6.50 | 20.00 | 0.80 | 40.00 | 1.60 | 63.00 | 2.50 | 64.50 | 2.50 | 97.30 | 3.80 | ✓ | ✓ | ✓ |
| Z12 | 193.2 | 7.61 | 196.0 | 7.70 | 20.00 | 0.80 | 40.00 | 1.60 | 63.00 | 2.50 | 80.80 | 3.20 | 112.40 | 4.40 | ✓ | ✓ | |
| Z13 | 208.9 | 8.22 | 214.0 | 8.40 | 20.00 | 0.80 | 40.00 | 1.60 | 63.00 | 2.50 | 88.90 | 3.50 | 120.10 | 4.70 | ✓ | ✓ | |

Non standard material and color:
See uni Material and Color Overview.

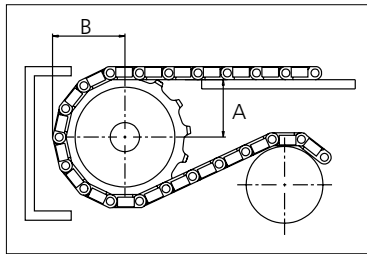
Molded sprocket



Cast iron sprocket



Machined sprocket



Please ensure that sufficient size shaft and keyway are chosen for corresponding load.

Other sprocket sizes are available upon request

Width of tooth: 11.0 mm/0.43 in

Width of sprocket: 42.3 mm/1.67 in

uni Retainer Rings: See uni Retainer Ring data sheet

uni Idler: See uni Idler data sheet

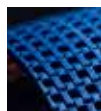
uni 1703/160621



Conveyor Belts



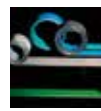
Seamless Belts



Modular Belts



Timing Belts



Transmission Belts



Fabrication & service

Expert advice, quality solutions and local service for all your belting needs
www.ammeraalbeltech.com

Ammeraal Beltech Modular A/S
Hjulmagervej 21
DK-7100 Vejle

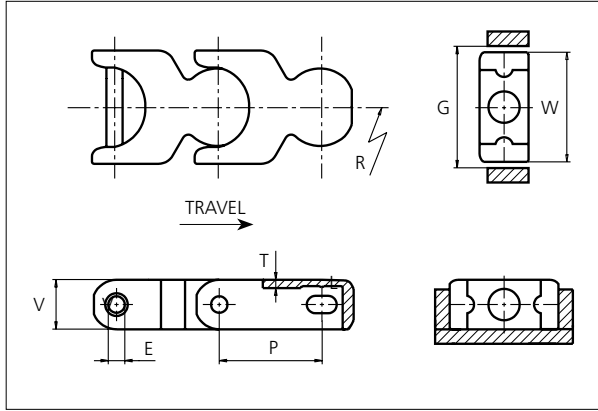
T +45 7572 3100
F +45 7572 3348
admin@unichains.com
www.unichains.com

This information is subject to alteration due to continuous development. Ammeraal Beltech will not be held liable for the incorrect use of the above stated information. This information replaces previous information. All activities performed and services rendered by Ammeraal Beltech are subject to general terms and conditions of sale and delivery, as applied by its operating companies.



uni Flex Plastic Chain

Series **uni 1704** Type -



uni Flex Plastic Chain
 Side flexing chain
 Pitch: 50.0 mm (1.97 in)
 Backflex radius: 75.0 mm (3.00 in)
 Permissible tensile strength:
 POM material 4000 N (899 lbf)

 Standard shipping lengths:
 boxes of 122 links
 = 6.100 m (20.0 ft)

STANDARD

| E | | G | | P | | T | | V | |
|-----|------|------|------|------|------|-----|------|------|------|
| mm | in | mm | in | mm | in | mm | in | mm | in |
| 8.0 | 0.31 | 56.9 | 2.24 | 50.0 | 1.97 | 4.0 | 0.16 | 23.9 | 0.94 |

All dimensions are for chains in POM material.

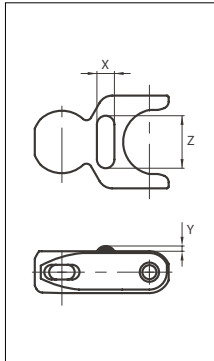
| Width (W) | | Material & color | Pin material | Weight | | Min. radius (R) | |
|-----------|------|----------------------------------|--------------|--------|-------|-----------------|------|
| mm | in | | | kg/m | lb/ft | mm | in |
| 53.3 | 2.10 | POM-D W POM-D G | SS304 | 1.3 | 0.87 | 137.5 | 5.41 |

Non standard material and color: See uni Material and Color Overview.
 Non standard pin material: See uni Material and Color Overview.

SIDE FLEXING

Accessories

Rubber Top/NON STANDARD



| Link material | Rubber material | X | | Z | | Y | |
|----------------|-----------------|------|------|------|------|-----|------|
| | | mm | in | mm | in | mm | in |
| POM-D W | 05 I | 10.0 | 0.39 | 30.0 | 1.18 | 3.0 | 0.12 |

When ordering, please state the required distance between the Rubber Top.

Other Non Standard rubber profiles:
 See uni Rubber Profile Overview

PITCH 50.0 MM/1.97 IN



Sprocket

| No of teeth | Pitch diameter | | Overall-diameter | | Min. ø bore | | Max. ø bore | | Hub-diameter | | Dimension A | | Dimension B | | Molded PA6 LG | Molded Cast Iron | Machined SS304 |
|-------------|----------------|------|------------------|------|-------------|------|-------------|------|--------------|------|-------------|------|-------------|------|---------------|------------------|----------------|
| | mm | in | mm | in | mm | in | mm | in | mm | in | mm | in | mm | in | ✓ | ✓ | ✓ |
| Z8 | 130.7 | 5.14 | 133.0 | 5.20 | 20.00 | 0.80 | 40.00 | 1.60 | 63.00 | 2.50 | 47.90 | 1.90 | 82.40 | 3.20 | ✓ | ✓ | ✓ |
| Z10 | 161.8 | 6.37 | 166.1 | 6.50 | 20.00 | 0.80 | 40.00 | 1.60 | 63.00 | 2.50 | 64.50 | 2.50 | 97.30 | 3.80 | ✓ | ✓ | ✓ |
| Z12 | 193.2 | 7.61 | 196.0 | 7.70 | 20.00 | 0.80 | 40.00 | 1.60 | 63.00 | 2.50 | 80.80 | 3.20 | 112.40 | 4.40 | ✓ | ✓ | |
| Z13 | 208.9 | 8.22 | 214.0 | 8.40 | 20.00 | 0.80 | 40.00 | 1.60 | 63.00 | 2.50 | 88.90 | 3.50 | 120.10 | 4.70 | ✓ | ✓ | |

Non standard material and color:
See uni Material and Color Overview.

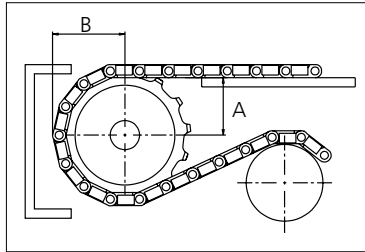
Molded sprocket



Cast iron sprocket



Machined sprocket



Please ensure that sufficient size shaft and keyway are chosen for corresponding load.

Other sprocket sizes are available upon request

Width of tooth: 11.0 mm/0.43 in

Width of sprocket: 42.3 mm/1.67 in

uni Retainer Rings: See uni Retainer Ring data sheet

uni Idler: See uni Idler data sheet

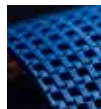
uni 1704/160621



Conveyor Belts



Seamless Belts



Modular Belts



Timing Belts



Transmission Belts



Fabrication & service

Expert advice, quality solutions and local service for all your belting needs
www.ammeraalbeltech.com

Ammeraal Beltech Modular A/S
Hjulmagervej 21
DK-7100 Vejle

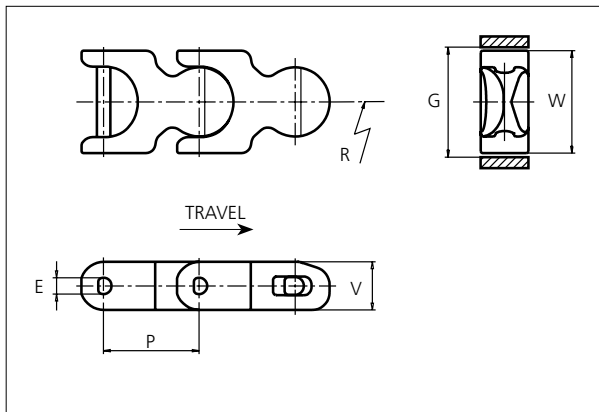
T +45 7572 3100
F +45 7572 3348
admin@unichains.com
www.unichains.com

This information is subject to alteration due to continuous development. Ammeraal Beltech will not be held liable for the incorrect use of the above stated information. This information replaces previous information. All activities performed and services rendered by Ammeraal Beltech are subject to general terms and conditions of sale and delivery, as applied by its operating companies.



uni Flex Plastic Chain

Series **uni 1705** Type -



uni Flex Plastic Chain
 Side flexing chain
 Pitch: 50.0 mm (1.97 in)
 Backflex radius:
 75.0 mm (3.00 in)
 Permissible tensile strength:
 POM material 3100 N (689 lbf)

 Standard shipping lengths:
 boxes of 122 links
 = 6.100 m (20.0 ft)

| E | | G | | P | | V | |
|-----|------|------|------|------|------|------|------|
| mm | in | mm | in | mm | in | mm | in |
| 8.7 | 0.34 | 57.0 | 2.24 | 50.0 | 1.97 | 25.0 | 0.98 |

All dimensions are for chains in POM material.

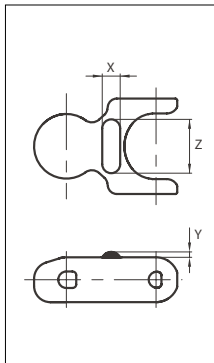
| Width (W) | | Material & color | Pin material | Weight | | Min. radius (R) | |
|-----------|------|------------------|--------------|--------|-------|-----------------|------|
| mm | in | | | kg/m | lb/ft | mm | in |
| 53.2 | 2.09 | POM-D W | SS304 | 1.4 | 0.94 | 136.0 | 5.35 |

Non standard material and color: See uni Material and Color Overview.

Non standard pin material: See uni Material and Color Overview.

Accessories

Rubber Top/NON STANDARD



| Link material | Rubber material | X | | Z | | Y | |
|----------------|-----------------|------|------|------|------|-----|------|
| | | mm | in | mm | in | mm | in |
| POM-D W | 05 I | 10.0 | 0.39 | 30.0 | 1.18 | 3.0 | 0.12 |

When ordering, please state the required distance between the Rubber Top.

Other Non Standard rubber profiles:
 See uni Rubber Profile Overview

STANDARD

SIDE FLEXING

PITCH 50.0 MM/1.97 IN



Sprocket

| No of teeth | Pitch diameter | | Overall-diameter | | Min. ø bore | | Max. ø bore | | Hub-diameter | | Dimension A | | Dimension B | | Molded PA6 LG | Molded Cast Iron | Machined SS304 |
|-------------|----------------|------|------------------|------|-------------|------|-------------|------|--------------|------|-------------|------|-------------|------|---------------|------------------|----------------|
| | mm | in | mm | in | mm | in | mm | in | mm | in | mm | in | mm | in | ✓ | ✓ | ✓ |
| Z8 | 130.7 | 5.14 | 133.0 | 5.20 | 20.00 | 0.80 | 40.00 | 1.60 | 63.00 | 2.50 | 47.90 | 1.90 | 82.40 | 3.20 | ✓ | ✓ | ✓ |
| Z10 | 161.8 | 6.37 | 166.1 | 6.50 | 20.00 | 0.80 | 40.00 | 1.60 | 63.00 | 2.50 | 64.50 | 2.50 | 97.30 | 3.80 | ✓ | ✓ | ✓ |
| Z12 | 193.2 | 7.61 | 196.0 | 7.70 | 20.00 | 0.80 | 40.00 | 1.60 | 63.00 | 2.50 | 80.80 | 3.20 | 112.40 | 4.40 | ✓ | ✓ | |
| Z13 | 208.9 | 8.22 | 214.0 | 8.40 | 20.00 | 0.80 | 40.00 | 1.60 | 63.00 | 2.50 | 88.90 | 3.50 | 120.10 | 4.70 | ✓ | ✓ | |

Non standard material and color:
See uni Material and Color Overview.

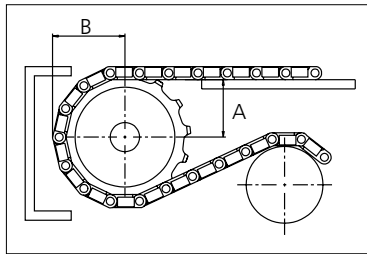
Molded sprocket



Cast iron sprocket



Machined sprocket



Please ensure that sufficient size shaft and keyway are chosen for corresponding load.

Other sprocket sizes are available upon request

Width of tooth: 11.0 mm/0.43 in

Width of sprocket: 42.3 mm/1.67 in

uni Retainer Rings: See uni Retainer Ring data sheet

uni Idler: See uni Idler data sheet

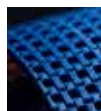
uni 1705/160624



Conveyor Belts



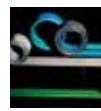
Seamless Belts



Modular Belts



Timing Belts



Transmission Belts



Fabrication & service

Expert advice, quality solutions and local service for all your belting needs
www.ammeraalbeltech.com

Ammeraal Beltech Modular A/S
Hjulmagervej 21
DK-7100 Vejle

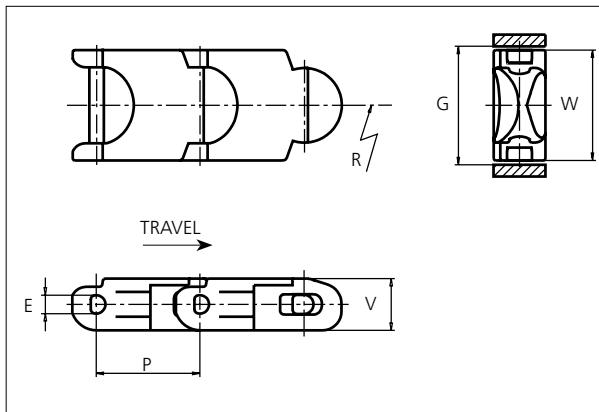
T +45 7572 3100
F +45 7572 3348
admin@unichains.com
www.unichains.com

This information is subject to alteration due to continuous development. Ammeraal Beltech will not be held liable for the incorrect use of the above stated information. This information replaces previous information. All activities performed and services rendered by Ammeraal Beltech are subject to general terms and conditions of sale and delivery, as applied by its operating companies.



uni Flex Plastic Chain

Series **uni 1706** Type -



uni Flex Plastic Chain
 Side flexing chain
 Pitch: 50.0 mm (1.97 in)
 Backflex radius: 120.0 mm (4.70 in)
 Permissible tensile strength:
 POM material 3100 N (689 lbf)

 Standard shipping lengths:
 boxes of 122 links
 = 6.100 m (20.0 ft)

| E | | G | | P | | V | |
|-----|------|------|------|------|------|------|------|
| mm | in | mm | in | mm | in | mm | in |
| 8.7 | 0.34 | 57.0 | 2.24 | 50.0 | 1.97 | 24.0 | 0.95 |

All dimensions are for chains in POM material.

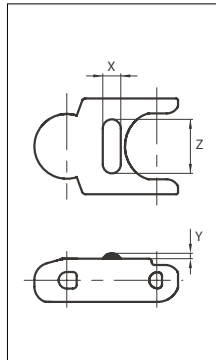
| Width (W) | | Material & color | Pin material | Weight | | Min. radius (R) | |
|-----------|------|------------------|--------------|--------|-------|-----------------|------|
| mm | in | | | kg/m | lb/ft | mm | in |
| 53.2 | 2.09 | POM-D W | SS304 | 1.4 | 0.94 | 150.0 | 5.91 |

Non standard material and color: See uni Material and Color Overview.

Non standard pin material: See uni Material and Color Overview.

Accessories

Rubber Top/NON STANDARD



| Link material | Rubber material | X | | Z | | Y | |
|----------------|-----------------|------|------|------|------|-----|------|
| | | mm | in | mm | in | mm | in |
| POM-D W | 05 I | 10.0 | 0.39 | 30.0 | 1.18 | 3.0 | 0.12 |

When ordering, please state the required distance between the Rubber Top.

Other Non Standard rubber profiles:
 See uni Rubber Profile Overview

STANDARD

UNI FLEX PLASTIC CHAIN

PITCH 50.0 MM/1.97 IN



Sprocket

| No of teeth | Pitch diameter | | Overall-diameter | | Min. ø bore | | Max. ø bore | | Hub-diameter | | Dimension A | | Dimension B | | Molded PA6 LG | Molded Cast Iron | Machined SS304 |
|-------------|----------------|------|------------------|------|-------------|------|-------------|------|--------------|------|-------------|------|-------------|------|---------------|------------------|----------------|
| | mm | in | mm | in | mm | in | mm | in | mm | in | mm | in | mm | in | ✓ | ✓ | ✓ |
| Z8 | 130.7 | 5.14 | 133.0 | 5.20 | 20.00 | 0.80 | 40.00 | 1.60 | 63.00 | 2.50 | 47.90 | 1.90 | 82.40 | 3.20 | ✓ | ✓ | ✓ |
| Z10 | 161.8 | 6.37 | 166.1 | 6.50 | 20.00 | 0.80 | 40.00 | 1.60 | 63.00 | 2.50 | 64.50 | 2.50 | 97.30 | 3.80 | ✓ | ✓ | ✓ |
| Z12 | 193.2 | 7.61 | 196.0 | 7.70 | 20.00 | 0.80 | 40.00 | 1.60 | 63.00 | 2.50 | 80.80 | 3.20 | 112.40 | 4.40 | ✓ | ✓ | |
| Z13 | 208.9 | 8.22 | 214.0 | 8.40 | 20.00 | 0.80 | 40.00 | 1.60 | 63.00 | 2.50 | 88.90 | 3.50 | 120.10 | 4.70 | ✓ | ✓ | |

Non standard material and color:
See uni Material and Color Overview.

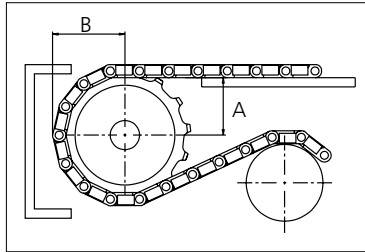
Molded sprocket



Cast iron sprocket



Machined sprocket



Please ensure that sufficient size shaft and keyway are chosen for corresponding load.

Other sprocket sizes are available upon request

Width of tooth: 11.0 mm/0.43 in

Width of sprocket: 42.3 mm/1.67 in

uni Retainer Rings: See uni Retainer Ring data sheet

uni Idler: See uni Idler data sheet

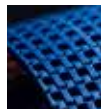
uni 1706/160624



Conveyor Belts



Seamless Belts



Modular Belts



Timing Belts



Transmission Belts



Fabrication & service

Expert advice, quality solutions and local service for all your belting needs
www.ammeraalbeltech.com

Ammeraal Beltech Modular A/S
Hjulmagervej 21
DK-7100 Vejle

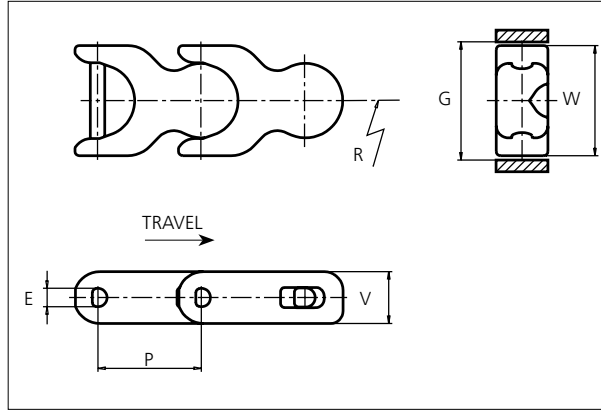
T +45 7572 3100
F +45 7572 3348
admin@unichains.com
www.unichains.com

This information is subject to alteration due to continuous development. Ammeraal Beltech will not be held liable for the incorrect use of the above stated information. This information replaces previous information. All activities performed and services rendered by Ammeraal Beltech are subject to general terms and conditions of sale and delivery, as applied by its operating companies.



uni Flex Plastic Chain

Series **uni 1707** Type -



uni Flex Plastic Chain
 Side flexing chain
 Pitch: 50.0 mm (1.97 in)
 Backflex radius:
 70.0 mm (2.80 in)
 Permissible tensile strength:
 POM material 3200 N (719 lbf)

 Standard shipping lengths:
 boxes of 122 links
 = 6.105 m (20.0 ft)

NON STANDARD

| E | | G | | P | | V | |
|-----|------|------|------|------|------|------|------|
| mm | in | mm | in | mm | in | mm | in |
| 8.7 | 0.34 | 57.0 | 2.24 | 50.0 | 1.97 | 25.0 | 0.98 |

All dimensions are for chains in POM material.

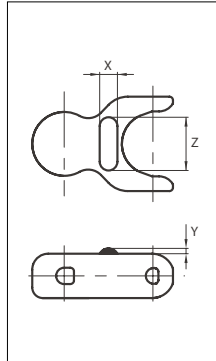
| Width (W) | | Recommended material & color | Recommended Pin material | Weight | | Min. radius (R) | |
|-----------|------|------------------------------|--------------------------|--------|-------|-----------------|------|
| mm | in | | | kg/m | lb/ft | mm | in |
| 53.2 | 2.09 | POM-D W | SS304 | - | - | 135.0 | 5.31 |

Non standard material and color: See uni Material and Color Overview.
 Non standard pin material: See uni Material and Color Overview.

SIDE FLEXING

Accessories

Rubber Top



| Link material | Rubber material | X | | Z | | Y | |
|----------------|-----------------|------|------|------|------|-----|------|
| | | mm | in | mm | in | mm | in |
| POM-D W | 05 I | 10.0 | 0.39 | 25.0 | 0.98 | 3.0 | 0.12 |

When ordering, please state the required distance between the Rubber Top.

Other Non Standard rubber profiles:
 See uni Rubber Profile Overview

PITCH 50.0 MM/1.97 IN



Sprocket

| No of teeth | Pitch diameter | | Overall-diameter | | Min. ø bore | | Max. ø bore | | Hub-diameter | | Dimension A | | Dimension B | | Molded PA6 LG | Molded Cast Iron | Machined PA6 | Machined SS304 |
|-------------|----------------|------|------------------|------|-------------|------|-------------|------|--------------|------|-------------|------|-------------|------|---------------|------------------|--------------|----------------|
| | mm | in | mm | in | mm | in | mm | in | mm | in | mm | in | mm | in | | | | |
| Z8 | 130.7 | 5.14 | 133.0 | 5.20 | 20.00 | 0.80 | 40.00 | 1.60 | 63.00 | 2.50 | 47.90 | 1.90 | 82.40 | 3.20 | ✓ | ✓ | ✓ | ✓ |
| Z10 | 161.8 | 6.37 | 166.1 | 6.50 | 20.00 | 0.80 | 40.00 | 1.60 | 63.00 | 2.50 | 64.50 | 2.50 | 97.30 | 3.80 | ✓ | ✓ | ✓ | ✓ |
| Z12 | 193.2 | 7.61 | 196.0 | 7.70 | 20.00 | 0.80 | 40.00 | 1.60 | 63.00 | 2.50 | 80.80 | 3.20 | 112.40 | 4.40 | ✓ | ✓ | ✓ | |
| Z13 | 208.9 | 8.22 | 214.0 | 8.40 | 20.00 | 0.80 | 40.00 | 1.60 | 63.00 | 2.50 | 88.90 | 3.50 | 120.10 | 4.70 | ✓ | ✓ | ✓ | |

Non standard material and color:
See uni Material and Color Overview.

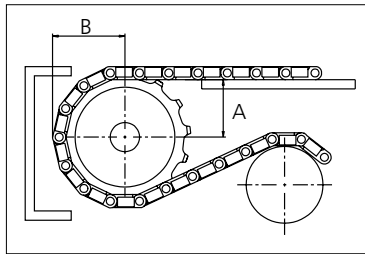
Molded sprocket



Cast iron sprocket



Machined sprocket



Please ensure that sufficient size shaft and keyway are chosen for corresponding load.

Other sprocket sizes are available upon request

Width of tooth: 11.0 mm/0.43 in

Width of sprocket: 42.3 mm/1.67 in

uni Retainer Rings: See uni Retainer Ring data sheet

uni Idler: See uni Idler data sheet

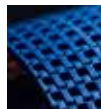
uni 1707/160622



Conveyor Belts



Seamless Belts



Modular Belts



Timing Belts



Transmission Belts



Fabrication & service

Expert advice, quality solutions and local service for all your belting needs
www.ammeraalbeltech.com

Ammeraal Beltech Modular A/S
Hjulmagervej 21
DK-7100 Vejle

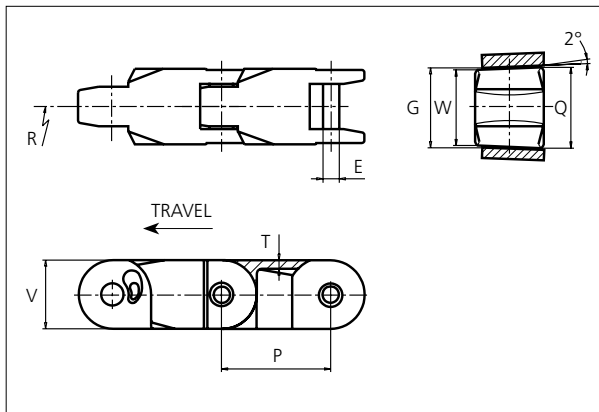
T +45 7572 3100
F +45 7572 3348
admin@unichains.com
www.unichains.com

This information is subject to alteration due to continuous development. Ammeraal Beltech will not be held liable for the incorrect use of the above stated information. This information replaces previous information. All activities performed and services rendered by Ammeraal Beltech are subject to general terms and conditions of sale and delivery, as applied by its operating companies.



uni Flex Plastic Chain

Series **uni 2500** Type -



uni Flex Plastic Chain
 Side flexing chain
 Pitch: 63.5 mm (2.50 in)
 Backflex radius:
 75.0 mm (3.00 in)
 Permissible tensile strength:
 POM material 7500 N (1686 lbf)

 Standard shipping lengths:
 boxes of 96 links
 = 6.096 m (20.0 ft)

STANDARD

| E | | G | | P | | Q | | T | | V | |
|-----|------|------|------|------|------|------|------|-----|------|------|------|
| mm | in | mm | in | mm | in | mm | in | mm | in | mm | in |
| 9.5 | 0.37 | 46.4 | 1.83 | 63.5 | 2.50 | 47.0 | 1.85 | 5.0 | 0.20 | 40.0 | 1.57 |

All dimensions are for chains in POM material.

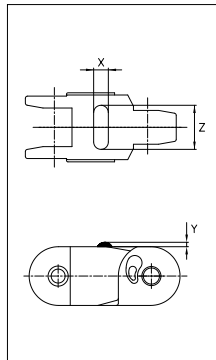
| Width (W) | | Material & color | Pin material | Weight | | Min. radius (R) | |
|-----------|------|------------------|--------------|--------|-------|-----------------|-------|
| mm | in | | | kg/m | lb/ft | mm | in |
| 44.0 | 1.73 | POM-D W | SS304 | 2.0 | 1.34 | 600.0 | 23.62 |

Non standard material and color: See uni Material and Color Overview.

Non standard pin material: See uni Material and Color Overview.

Accessories

Rubber Top/NON STANDARD



When ordering, please state the required distance between the Rubber Top.

Other Non Standard rubber profiles:
 See uni Rubber Profile Overview


| Link material | Rubber material | Z | | X | | Y | |
|----------------|-----------------|------|------|------|------|-----|------|
| | | mm | in | mm | in | mm | in |
| POM-D W | 05 I | 30.0 | 1.18 | 10.0 | 0.39 | 3.0 | 0.12 |

SIDE FLEXING

PITCH 63.5 MM/2.50 IN

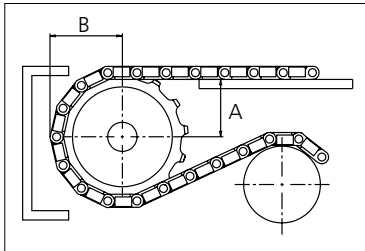


Sprocket

| No of teeth | Pitch diameter | | Overall-diameter | | Min. ø bore | | Max. ø bore | | Hub-diameter | | Dimension A | | Dimension B | |  Machined PAG |
|-------------|----------------|-------|------------------|-------|-------------|-----|-------------|-----|--------------|-----|-------------|-----|-------------|-----|-----------------------------------------------------------------------------------------------------|
| | mm | in | mm | in | mm | in | mm | in | mm | in | mm | in | mm | in | |
| Z6 | 126.7 | 4.99 | 136.0 | 5.35 | 20.00 | 0.8 | 40.00 | 1.6 | 63.00 | 2.5 | 35.00 | 1.4 | 83.30 | 3.3 | ✓ |
| Z8 | 165.7 | 6.52 | 176.0 | 6.93 | 20.00 | 0.8 | 40.00 | 1.6 | 73.50 | 2.9 | 56.70 | 2.2 | 102.80 | 4.0 | ✓ |
| Z15 | 305.3 | 12.02 | 317.4 | 12.50 | 20.00 | 0.8 | 40.00 | 1.6 | 73.50 | 2.9 | 129.40 | 5.1 | 172.70 | 6.8 | ✓ |

Non standard material and color:
See uni Material and Color Overview.

Machined sprocket



Please ensure that sufficient size shaft and keyway are chosen for corresponding load.

Other sprocket sizes are available upon request
 Width of tooth: 11.0 mm/0.43 in
 Width of sprocket: 42.3 mm/1.66 in
 uni Retainer Rings: See uni Retainer Ring data sheet

uni 2500/160621



Conveyor Belts



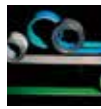
Seamless Belts



Modular Belts



Timing Belts



Transmission Belts



Fabrication & service

Solid advice
 For all your belting needs
 Local stock & service
www.ammeraalbeltech.com

Ammeraal Beltech Modular A/S
 Hjulmagervej 21
 DK-7100 Vejle

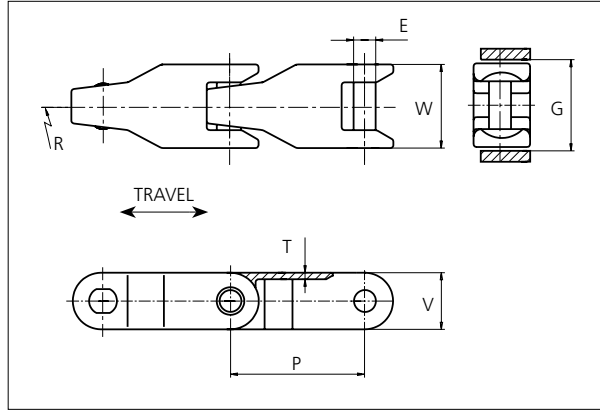
T +45 7572 3100
 F +45 7572 3348
 admin@unichains.com
 www.unichains.com

This information is subject to alteration due to continuous development. Ammeraal Beltech will not be held liable for the incorrect use of the above stated information. This information replaces previous information. All activities performed and services rendered by Ammeraal Beltech are subject to general terms and conditions of sale and delivery, as applied by its operating companies.



uni Flex Plastic Chain

Series **uni 2600** Type **C**



uni Flex Plastic Chain
 Side flexing chain
 Pitch: 63.5 mm (2.50 in)
 Backflex radius:
 75.0 mm (3.00 in)
 Permissible tensile strength:
 POM material 6000 N (1349 lbf)

 Standard shipping lengths:
 boxes of 96 links
 = 6.096 m (20.0 ft)

STANDARD

| E | | G | | P | | T | | V | |
|------|------|------|------|------|------|-----|------|------|------|
| mm | in | mm | in | mm | in | mm | in | mm | in |
| 11.0 | 0.43 | 44.5 | 1.75 | 63.5 | 2.50 | 3.5 | 0.14 | 28.4 | 1.12 |

All dimensions are for chains in POM material.

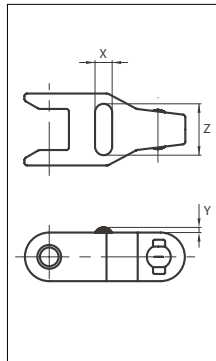
| Nominal width (W) | | Material & color | Pin material | Weight | | Min. radius (R) | |
|-------------------|------|----------------------------------|--------------|--------|-------|-----------------|-------|
| mm | in | | | kg/m | lb/ft | mm | in |
| 42.0 | 1.65 | POM-D W G B | SS304 | 1.4 | 0.94 | 600.0 | 23.62 |

Non standard material and color: See uni Material and Color Overview.
 Non standard pin material: See uni Material and Color Overview.

SIDE FLEXING

Accessories

Rubber Top



| Link material | Rubber material | Z | | X | | Y | |
|----------------|-----------------|------|------|------|------|-----|------|
| | | mm | in | mm | in | mm | in |
| POM-D W | 05 I | 30.0 | 1.18 | 10.0 | 0.39 | 3.0 | 0.12 |

When ordering, please state the required distance between the Rubber Top.

Other Non Standard rubber profiles:
 See uni Rubber Profile Overview.

PITCH 63.5 MM/2.50 IN



Sprocket

| No of teeth | Pitch diameter | | Overall-diameter | | Min. ø bore | | Max. ø bore | | Hub-diameter | | Dimension A | | Dimension B | | LG | Cast iron | SS304 |
|-------------|----------------|------|------------------|------|-------------|------|-------------|------|--------------|------|-------------|------|-------------|------|------------|-----------|----------|
| | mm | in | mm | in | mm | in | mm | in | mm | in | mm | in | mm | in | Molded PA6 | Molded | Machined |
| Z6 | 127.0 | 5.00 | 128.0 | 5.04 | 20.0 | 0.79 | 40.0 | 1.57 | 63.0 | 2.48 | 40.8 | 1.61 | 78.1 | 3.07 | ✓ | ✓ | |
| Z8 | 165.9 | 6.53 | 168.9 | 6.65 | 20.0 | 0.79 | 50.0 | 1.97 | 73.5 | 2.89 | 62.5 | 2.46 | 97.5 | 3.84 | ✓ | ✓ | ✓ |
| Z10 | 205.5 | 8.09 | 210.5 | 8.29 | 20.0 | 0.79 | 50.0 | 1.97 | 73.5 | 2.89 | 83.5 | 3.29 | 117.2 | 4.61 | ✓ | ✓ | |
| Z11 | 225.4 | 8.87 | 231.4 | 9.11 | 20.0 | 0.79 | 50.0 | 1.97 | 73.5 | 2.89 | 93.9 | 3.70 | 127.1 | 5.00 | ✓ | ✓ | |

Non standard material and color:
See uni Material and Color Overview.

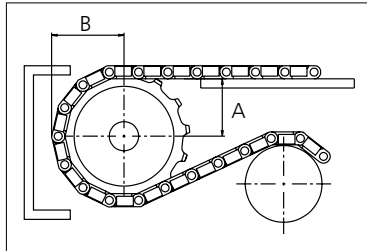
Machined sprocket



Cast iron sprocket



SS304 sprocket



Please ensure that sufficient size shaft and keyway are chosen for corresponding load.

Other sprocket sizes are available upon request

Width of tooth: 11.0 mm/0.43 in

Width of sprocket: 42.3 mm/1.66 in

uni Retainer Rings: See uni Retainer Ring data sheet

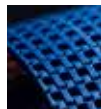
uni 2600 C/170210



Conveyor Belts



Seamless Belts



Modular Belts



Timing Belts



Transmission Belts



Fabrication & service

Expert advice, quality solutions and local service for all your belting needs
www.ammeraalbeltech.com

Ammeraal Beltech Modular A/S
Hjulmagervej 21
DK-7100 Vejle

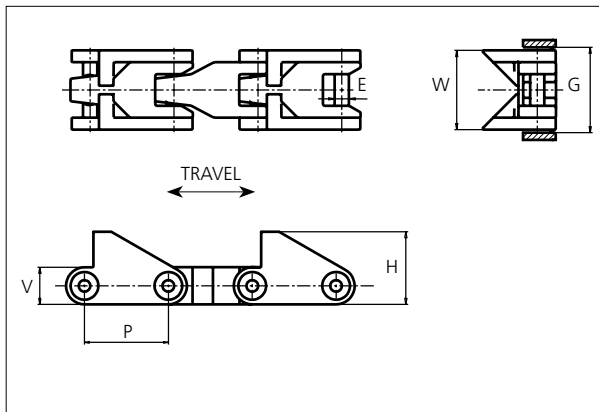
T +45 7572 3100
F +45 7572 3348
admin@unichains.com
www.unichains.com

This information is subject to alteration due to continuous development. Ammeraal Beltech will not be held liable for the incorrect use of the above stated information. This information replaces previous information. All activities performed and services rendered by Ammeraal Beltech are subject to general terms and conditions of sale and delivery, as applied by its operating companies.



uni Flex Plastic Chain

Series **uni 2600** Type **CV**



uni Flex Plastic Chain
 Straight running
 Pitch: 63.5 mm (2.50 in)
 Backflex radius: 75.0 mm (3.00 in)
 Permissible tensile strength:
 POM material: 6000 N (1349 lbf)
 The product supports can be placed no closer than every other pitch (127.0 mm or 5.00 in)
 Standard shipping lengths:
 boxes of 96 links
 = 6.096 m (20.0 ft)

| E | | G | | H | | P | | V | |
|------|------|------|------|------|------|------|------|------|------|
| mm | in | mm | in | mm | in | mm | in | mm | in |
| 11.0 | 0.43 | 64.0 | 2.52 | 55.0 | 2.17 | 63.5 | 2.50 | 28.4 | 1.12 |

All dimensions are for chains in POM material.

| Nominal width (W) | | Recommended Material & color | Recommended Pin material | Weight | |
|-------------------|------|------------------------------|--------------------------|--------|-------|
| mm | in | | | kg/m | lb/ft |
| 61.5 | 2.42 | POM-D W | SS304 | 2.1 | 1.41 |

Non standard material and color: See uni Material and Color Overview.

Non standard pin material: See uni Material and Color Overview.

NON STANDARD

STRAIGHT RUNNING

PITCH 63.5 MM/2.50 IN



Sprocket

| No of teeth | Pitch diameter | | Overall-diameter | | Min. ø bore | | Max. ø bore | | Hub-diameter | | Dimension A | | Dimension B | | PA6 | Cast iron | SS304 |
|-------------|----------------|------|------------------|------|-------------|------|-------------|------|--------------|------|-------------|------|-------------|------|--------|-----------|----------|
| | mm | in | mm | in | mm | in | mm | in | mm | in | mm | in | mm | in | Molded | Molded | Machined |
| Z6 | 127.0 | 5.00 | 128.0 | 5.04 | 20.0 | 0.79 | 40.0 | 1.57 | 63.0 | 2.48 | 40.8 | 1.61 | 78.1 | 3.07 | ✓ | ✓ | |
| Z8 | 165.9 | 6.53 | 168.9 | 6.65 | 20.0 | 0.79 | 50.0 | 1.97 | 73.5 | 2.89 | 62.5 | 2.46 | 97.5 | 3.84 | ✓ | ✓ | ✓ |
| Z10 | 205.5 | 8.09 | 210.5 | 8.29 | 20.0 | 0.79 | 50.0 | 1.97 | 73.5 | 2.89 | 83.5 | 3.29 | 117.2 | 4.61 | ✓ | ✓ | |
| Z11 | 225.4 | 8.87 | 231.4 | 9.11 | 20.0 | 0.79 | 50.0 | 1.97 | 73.5 | 2.89 | 93.9 | 3.70 | 127.1 | 5.00 | ✓ | ✓ | |

Non standard material and color:
See uni Material and Color Overview.

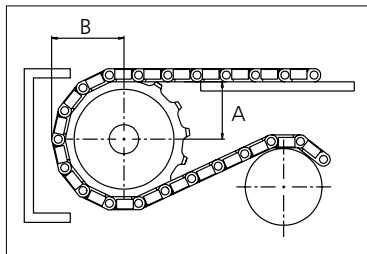
Machined sprocket



Cast iron sprocket



SS304 sprocket



Please ensure that sufficient size shaft and keyway are chosen for corresponding load.

Other sprocket sizes are available upon request
Width of tooth: 11.0 mm/0.43 in
Width of sprocket: 42.3 mm/1.66 in
uni Retainer Rings: See uni Retainer Ring data sheet

uni 2600 CV/161031



Conveyor Belts



Seamless Belts



Modular Belts



Timing Belts



Transmission Belts



Fabrication & service

Solid advice
For all your belting needs
Local stock & service
www.ammeraalbeltech.com

Ammeraal Beltech Modular A/S
Hjulmagervej 21
DK-7100 Vejle

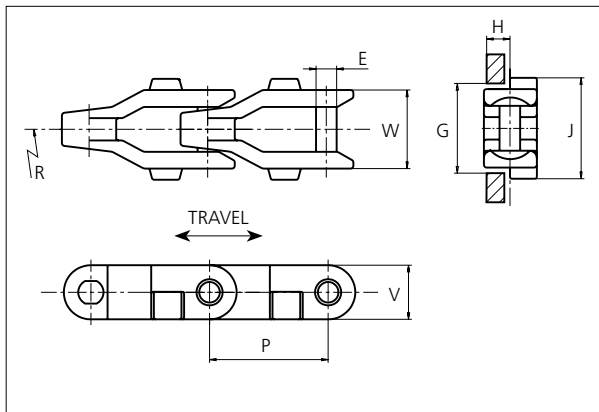
T +45 7572 3100
F +45 7572 3348
admin@unichains.com
www.unichains.com

This information is subject to alteration due to continuous development. Ammeraal Beltech will not be held liable for the incorrect use of the above stated information. This information replaces previous information. All activities performed and services rendered by Ammeraal Beltech are subject to general terms and conditions of sale and delivery, as applied by its operating companies.



uni Flex Plastic Chain

Series **uni 2600** Type **Tab O**



uni Flex Plastic Chain
 Side flexing chain
 Pitch: 63.5 mm (2.50 in)
 Backflex radius:
 75.0 mm (3.00 in)
 Permissible tensile strength:
 POM material:
 6000 N (1349 lbf)

 Standard shipping lengths:
 boxes of 96 links
 = 6.096 m (20.0 ft)

| E | | G | | H | | J | | P | | V | |
|------|------|------|------|------|------|------|------|------|------|------|------|
| mm | in | mm | in | mm | in | mm | in | mm | in | mm | in |
| 11.0 | 0.43 | 44.5 | 1.75 | 14.0 | 0.55 | 54.0 | 2.13 | 63.5 | 2.50 | 28.4 | 1.12 |

All dimensions are for chains in POM material.

| Nominal width (W) | | Material & color | Pin material | Weight | | Min. radius (R) | |
|-------------------|------|-------------------------------------------------------|--------------|--------|-------|-----------------|-------|
| mm | in | | | kg/m | lb/ft | mm | in |
| 42.0 | 1.65 | POM-D W G B POM-SLF DG | SS304 | 1.4 | 0.94 | 600 | 23.62 |

Non standard material and color: See uni Material and Color Overview.

Non standard pin material: See uni Material and Color Overview.

STANDARD

SIDE FLEXING CHAIN

PITCH 63.5 MM/2.50 IN



Sprocket

| No of teeth | Pitch diameter | | Overall-diameter | | Min. ø bore | | Max. ø bore | | Hub-diameter | | Dimension A | | Dimension B | | LG | Cast iron | SS304 |
|-------------|----------------|------|------------------|------|-------------|------|-------------|------|--------------|------|-------------|------|-------------|------|------------|-----------|----------|
| | mm | in | mm | in | mm | in | mm | in | mm | in | mm | in | mm | in | Molded PA6 | Molded | Machined |
| Z6 | 127.0 | 5.00 | 128.0 | 5.04 | 20.0 | 0.79 | 40.0 | 1.57 | 63.0 | 2.48 | 40.8 | 1.61 | 78.1 | 3.07 | ✓ | ✓ | |
| Z8 | 165.9 | 6.53 | 168.9 | 6.65 | 20.0 | 0.79 | 50.0 | 1.97 | 73.5 | 2.89 | 62.5 | 2.46 | 97.5 | 3.84 | ✓ | ✓ | ✓ |
| Z10 | 205.5 | 8.09 | 210.5 | 8.29 | 20.0 | 0.79 | 50.0 | 1.97 | 73.5 | 2.89 | 83.5 | 3.29 | 117.2 | 4.61 | ✓ | ✓ | |
| Z11 | 225.4 | 8.87 | 231.4 | 9.11 | 20.0 | 0.79 | 50.0 | 1.97 | 73.5 | 2.89 | 93.9 | 3.70 | 127.1 | 5.00 | ✓ | ✓ | |

Non standard material and color:
See uni Material and Color Overview.

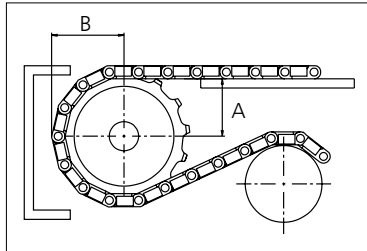
Machined sprocket



Cast iron sprocket



SS304 sprocket



Please ensure that sufficient size shaft and keyway are chosen for corresponding load.

Other sprocket sizes are available upon request
Width of tooth: 11.0 mm/0.43 in
Width of sprocket: 42.3 mm/1.66 in
uni Retainer Rings: See uni Retainer Ring data sheet



Conveyor Belts



Seamless Belts



Modular Belts



Timing Belts



Transmission Belts



Fabrication & service

Expert advice, quality solutions and local service for all your belting needs
www.ammeraalbeltech.com

Ammeraal Beltech Modular A/S
Hjulmagervej 21
DK-7100 Vejle

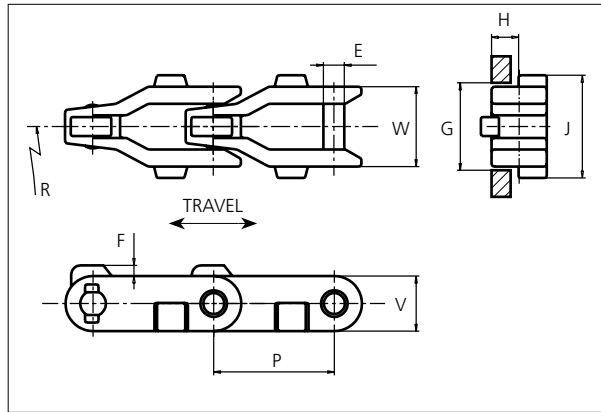
T +45 7572 3100
F +45 7572 3348
admin@unichains.com
www.unichains.com

This information is subject to alteration due to continuous development. Ammeraal Beltech will not be held liable for the incorrect use of the above stated information. This information replaces previous information. All activities performed and services rendered by Ammeraal Beltech are subject to general terms and conditions of sale and delivery, as applied by its operating companies.



uni Flex Plastic Chain

Series **uni 2600** Type **Tab O M**



uni Flex Plastic Chain
 Side flexing chain
 Pitch: 63.5 mm (2.50 in)
 Backflex radius:
 75.0 mm (3.00 in)
 Permissible tensile strength:
 POM material
 6000 N (1349 lbf)

 Standard shipping lengths:
 boxes of 96 links
 = 6.096 m (20.0 ft)

| E | | G | | F | | H | | J | | P | | V | |
|------|------|------|------|-----|------|------|------|------|------|------|------|------|------|
| mm | in | mm | in | mm | in | mm | in | mm | in | mm | in | mm | in |
| 11.0 | 0.43 | 44.5 | 1.75 | 5.6 | 0.22 | 14.0 | 0.55 | 54.0 | 2.13 | 63.5 | 2.50 | 28.4 | 1.12 |

All dimensions are for chains in POM material.

| Nominal width (W) | | Recommended Material & color | Recommended Pin material | Weight | | Min. radius R | |
|-------------------|------|------------------------------------|--------------------------|--------|-------|---------------|-------|
| mm | in | | | kg/m | lb/ft | mm | in |
| 42.0 | 1.65 | POM-D W POM-LF BR | SS304 | 1.6 | 1.08 | 600.0 | 23.62 |

Non standard material and color: See uni Material and Color Overview.

Non standard pin material: See uni Material and Color Overview.

When ordering, please, state the required distance between the product supports.

NON STANDARD

SIDE FLEXING

PITCH 63.5 MM/2.50 IN



Sprocket

| No of teeth | Pitch diameter | | Overall-diameter | | Min. ø bore | | Max. ø bore | | Hub-diameter | | Dimension A | | Dimension B | | LG | Cast iron | SS304 |
|-------------|----------------|------|------------------|------|-------------|------|-------------|------|--------------|------|-------------|------|-------------|------|------------|-----------|----------|
| | mm | in | mm | in | mm | in | mm | in | mm | in | mm | in | mm | in | Molded PA6 | Molded | Machined |
| Z6 | 127.0 | 5.00 | 128.0 | 5.04 | 20.0 | 0.79 | 40.0 | 1.57 | 63.0 | 2.48 | 40.8 | 1.61 | 78.1 | 3.07 | ✓ | ✓ | |
| Z8 | 165.9 | 6.53 | 168.9 | 6.65 | 20.0 | 0.79 | 50.0 | 1.97 | 73.5 | 2.89 | 62.5 | 2.46 | 97.5 | 3.84 | ✓ | ✓ | ✓ |
| Z10 | 205.5 | 8.09 | 210.5 | 8.29 | 20.0 | 0.79 | 50.0 | 1.97 | 73.5 | 2.89 | 83.5 | 3.29 | 117.2 | 4.61 | ✓ | ✓ | |
| Z11 | 225.4 | 8.87 | 231.4 | 9.11 | 20.0 | 0.79 | 50.0 | 1.97 | 73.5 | 2.89 | 93.9 | 3.70 | 127.1 | 5.00 | ✓ | ✓ | |

Non standard material and color:
See uni Material and Color Overview.

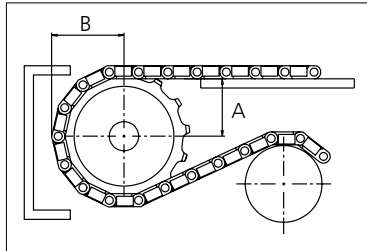
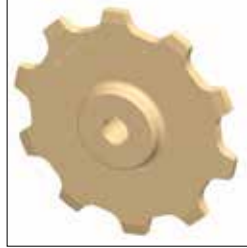
Machined sprocket



Cast iron sprocket



SS304 sprocket



Please ensure that sufficient size shaft and keyway are chosen for corresponding load.

Other sprocket sizes are available upon request
Width of tooth: 11.0 mm/0.43 in
Width of sprocket: 42.3 mm/1.66 in
uni Retainer Rings: See uni Retainer Ring data sheet



Conveyor Belts



Seamless Belts



Modular Belts



Timing Belts



Transmission Belts



Fabrication & service

Solid advice
For all your belting needs
Local stock & service
www.ammeraalbeltech.com

Ammeraal Beltech Modular A/S
Hjulmagervej 21
DK-7100 Vejle

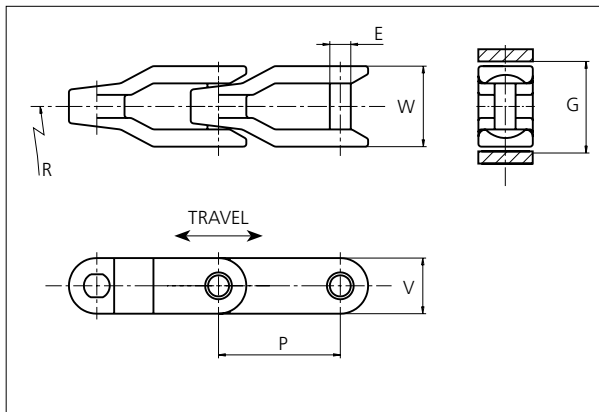
T +45 7572 3100
F +45 7572 3348
admin@unichains.com
www.unichains.com

This information is subject to alteration due to continuous development. Ammeraal Beltech will not be held liable for the incorrect use of the above stated information. This information replaces previous information. All activities performed and services rendered by Ammeraal Beltech are subject to general terms and conditions of sale and delivery, as applied by its operating companies.



uni Flex Plastic Chain

Series **uni 2600** Type **O**



uni Flex Chains
 Side flexing chain
 Pitch: 63.5 mm (2.50 in)
 Backflex radius:
 75.0 mm (3.00 in)
 Permissible tensile strength:
 POM material:
 6000 N (1349 lbf)

 Standard shipping lengths:
 boxes of 96 links = 6.096 m
 (20.0 ft)

| E | | G | | P | | V | |
|------|------|------|------|------|------|------|------|
| mm | in | mm | in | mm | in | mm | in |
| 11.0 | 0.43 | 44.5 | 1.75 | 63.5 | 2.50 | 28.4 | 1.12 |

All dimensions are for chains in POM material.

| Nominal width (W) | | Material & color | Pin material | Weight | | Min. radius (R) | |
|-------------------|------|----------------------------------|--------------|--------|-------|-----------------|-------|
| mm | in | | | kg/m | lb/ft | mm | in |
| 42.0 | 1.65 | POM-D W G B | SS304 | 1.3 | 0.87 | 600 | 23.62 |

Non standard material and color: See uni Material and Color Overview.

Non standard pin material: See uni Material and Color Overview.

STANDARD

SIDE FLEXING

PITCH 63.5 MM/2.50 IN



Sprocket

| No of teeth | Pitch diameter | | Overall-diameter | | Min. ϕ bore | | Max. ϕ bore | | Hub-diameter | | Dimension A | | Dimension B | | LG | Cast iron | SS304 |
|-------------|----------------|------|------------------|------|------------------|------|------------------|------|--------------|------|-------------|------|-------------|------|------------|-----------|----------|
| | mm | in | mm | in | mm | in | mm | in | mm | in | mm | in | mm | in | Molded PA6 | Molded | Machined |
| Z6 | 127.0 | 5.00 | 128.0 | 5.04 | 20.0 | 0.79 | 40.0 | 1.57 | 63.0 | 2.48 | 40.8 | 1.61 | 78.1 | 3.07 | ✓ | ✓ | |
| Z8 | 165.9 | 6.53 | 168.9 | 6.65 | 20.0 | 0.79 | 50.0 | 1.97 | 73.5 | 2.89 | 62.5 | 2.46 | 97.5 | 3.84 | ✓ | ✓ | ✓ |
| Z10 | 205.5 | 8.09 | 210.5 | 8.29 | 20.0 | 0.79 | 50.0 | 1.97 | 73.5 | 2.89 | 83.5 | 3.29 | 117.2 | 4.61 | ✓ | ✓ | |
| Z11 | 225.4 | 8.87 | 231.4 | 9.11 | 20.0 | 0.79 | 50.0 | 1.97 | 73.5 | 2.89 | 93.9 | 3.70 | 127.1 | 5.00 | ✓ | ✓ | |

Non standard material and color:
See uni Material and Color Overview.

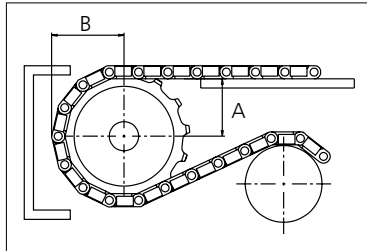
Machined sprocket



Cast iron sprocket



SS304 sprocket



Please ensure that sufficient size shaft and keyway are chosen for corresponding load.

Other sprocket sizes are available upon request
Width of tooth: 11.0 mm/0.43 in
Width of sprocket: 42.3 mm/1.66 in
uni Retainer Rings: See uni Retainer Ring data sheet

uni 2600 O/160621



Conveyor Belts



Seamless Belts



Modular Belts



Timing Belts



Transmission Belts



Fabrication & service

Expert advice, quality solutions and local service for all your belting needs
www.ammeraalbeltech.com

Ammeraal Beltech Modular A/S
Hjulmagervej 21
DK-7100 Vejle

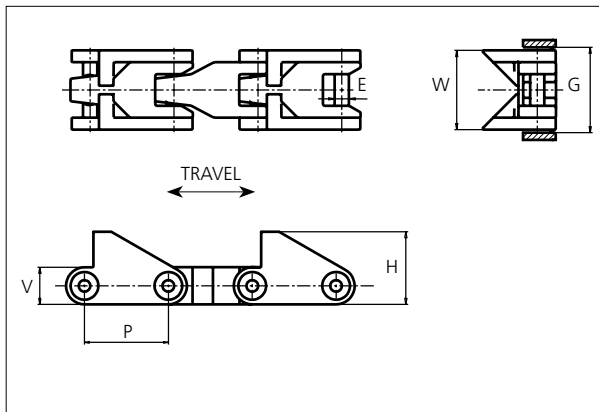
T +45 7572 3100
F +45 7572 3348
admin@unichains.com
www.unichains.com

This information is subject to alteration due to continuous development. Ammeraal Beltech will not be held liable for the incorrect use of the above stated information. This information replaces previous information. All activities performed and services rendered by Ammeraal Beltech are subject to general terms and conditions of sale and delivery, as applied by its operating companies.



uni Flex Plastic Chain

Series **uni 2600** Type **OV**



uni Flex Plastic Chain
 Straight running
 Pitch: 63.5 mm (2.50 in)
 Backflex radius:
 75.0 mm (3.00 in)
 Permissible tensile strength:
 POM material:
 6000 N (1349 lbf)

 Standard shipping lengths:
 boxes of 96 links
 = 6.096 m (20.0 ft)

| E | | G | | H | | P | | V | |
|------|------|------|------|------|------|------|------|------|------|
| mm | in | mm | in | mm | in | mm | in | mm | in |
| 11.0 | 0.43 | 64.0 | 2.25 | 55.0 | 2.17 | 63.5 | 2.50 | 28.4 | 1.12 |

All dimensions are for chains in POM material.

| Nominal width (W) | | Recommended Material & color | Recommended Pin material | Weight | |
|-------------------|------|------------------------------|--------------------------|--------|-------|
| mm | in | | | kg/m | lb/ft |
| 61.5 | 2.42 | POM-D W | SS304 | 2.0 | 1.34 |

Non standard material and color: See uni Material and Color Overview.

Non standard pin material: See uni Material and Color Overview.

NON STANDARD

STRAIGHT RUNNING

PITCH 63.5 MM/2.50 IN



Sprocket

| No of teeth | Pitch diameter | | Overall-diameter | | Min. ø bore | | Max. ø bore | | Hub-diameter | | Dimension A | | Dimension B | | Molded PA6 LG | Molded Cast iron | Machined SS304 |
|-------------|----------------|------|------------------|------|-------------|------|-------------|------|--------------|------|-------------|------|-------------|------|---------------|------------------|----------------|
| | mm | in | mm | in | mm | in | mm | in | mm | in | mm | in | mm | in | | | |
| Z6 | 127.0 | 5.00 | 128.0 | 5.04 | 20.0 | 0.79 | 40.0 | 1.57 | 63.0 | 2.48 | 40.8 | 1.61 | 78.1 | 3.07 | ✓ | ✓ | |
| Z8 | 165.9 | 6.53 | 168.9 | 6.65 | 20.0 | 0.79 | 50.0 | 1.97 | 73.5 | 2.89 | 62.5 | 2.46 | 97.5 | 3.84 | ✓ | ✓ | ✓ |
| Z10 | 205.5 | 8.09 | 210.5 | 8.29 | 20.0 | 0.79 | 50.0 | 1.97 | 73.5 | 2.89 | 83.5 | 3.29 | 117.2 | 4.61 | ✓ | ✓ | |
| Z11 | 225.4 | 8.87 | 231.4 | 9.11 | 20.0 | 0.79 | 50.0 | 1.97 | 73.5 | 2.89 | 93.9 | 3.70 | 127.1 | 5.00 | ✓ | ✓ | |

Non standard material and color:
See uni Material and Color Overview.

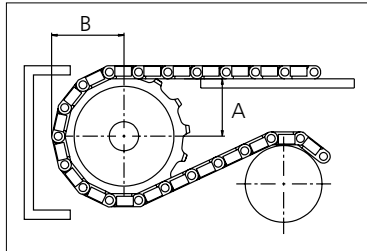
Machined sprocket



Cast iron sprocket



SS304 sprocket



Please ensure that sufficient size shaft and keyway are chosen for corresponding load.

Other sprocket sizes are available upon request
Width of tooth: 11.0 mm/0.43 in
Width of sprocket: 42.3 mm/1.66 in
uni Retainer Rings: See uni Retainer Ring data sheet

uni 2600 OV/160624



Conveyor Belts



Seamless Belts



Modular Belts



Timing Belts



Transmission Belts



Fabrication & service

Solid advice
For all your belting needs
Local stock & service
www.ammeraalbeltech.com

Ammeraal Beltech Modular A/S
Hjulmagervej 21
DK-7100 Vejle

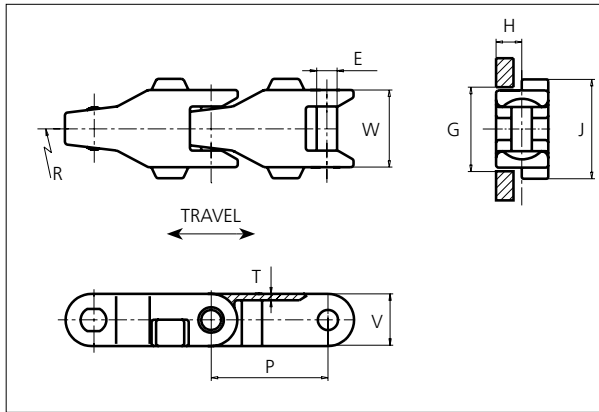
T +45 7572 3100
F +45 7572 3348
admin@unichains.com
www.unichains.com

This information is subject to alteration due to continuous development. Ammeraal Beltech will not be held liable for the incorrect use of the above stated information. This information replaces previous information. All activities performed and services rendered by Ammeraal Beltech are subject to general terms and conditions of sale and delivery, as applied by its operating companies.



uni Flex Plastic Chain

Series **uni 2600** Type **Tab C**



uni Flex Plastic Chain
 Side flexing chain
 Pitch: 63.5 mm (2.50 in)
 Backflex radius:
 75.0 mm (3.00 in)
 Permissible tensile strength:
 POM material:
 6000 N (1349 lbf)

 Standard shipping lengths:
 boxes of 96 links
 = 6.096 m (20.0 ft)

| E | | G | | H | | J | | P | | T | | V | |
|------|------|------|------|------|------|------|------|------|------|-----|------|------|------|
| mm | in | mm | in | mm | in | mm | in | mm | in | mm | in | mm | in |
| 11.0 | 0.43 | 44.5 | 1.75 | 14.0 | 0.55 | 54.0 | 2.13 | 63.5 | 2.50 | 3.5 | 0.14 | 28.4 | 1.12 |

All dimensions are for chains in POM material.

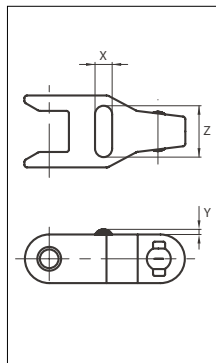
| Nominal width (W) | | Material & color | Pin material | Weight | | Min. radius (R) | |
|-------------------|------|----------------------------------|--------------|--------|-------|-----------------|-------|
| mm | in | | | kg/m | lb/ft | mm | in |
| 42.0 | 1.65 | POM-D W G B | SS304 | 1.5 | 1.00 | 600 | 23.62 |

Non standard material and color: See uni Material and Color Overview.

Non standard pin material: See uni Material and Color Overview.

Accessories

Rubber Top



| Link material | Rubber material | Z | | X | | Y | |
|----------------|-----------------|------|------|------|------|-----|------|
| | | mm | in | mm | in | mm | in |
| POM-D W | 05 I | 30.0 | 1.18 | 10.0 | 0.39 | 3.0 | 0.12 |

When ordering, please state the required distance between the Rubber Top.

Other Non Standard rubber profiles:
 See uni Rubber Profile Overview.



STANDARD

SIDE FLEXING

PITCH 63.5 MM/2.50 IN

Sprocket

| No of teeth | Pitch diameter | | Overall-diameter | | Min. ø bore | | Max. ø bore | | Hub-diameter | | Dimension A | | Dimension B | | PA6 | Cast iron | SS304 |
|-------------|----------------|------|------------------|------|-------------|------|-------------|------|--------------|------|-------------|------|-------------|------|--------|-----------|----------|
| | mm | in | mm | in | mm | in | mm | in | mm | in | mm | in | mm | in | Molded | Molded | Machined |
| Z6 | 127.0 | 5.00 | 128.0 | 5.04 | 20.0 | 0.79 | 40.0 | 1.57 | 63.0 | 2.48 | 40.8 | 1.61 | 78.1 | 3.07 | ✓ | ✓ | |
| Z8 | 165.9 | 6.53 | 168.9 | 6.65 | 20.0 | 0.79 | 50.0 | 1.97 | 73.5 | 2.89 | 62.5 | 2.46 | 97.5 | 3.84 | ✓ | ✓ | ✓ |
| Z10 | 205.5 | 8.09 | 210.5 | 8.29 | 20.0 | 0.79 | 50.0 | 1.97 | 73.5 | 2.89 | 83.5 | 3.29 | 117.2 | 4.61 | ✓ | ✓ | |
| Z11 | 225.4 | 8.87 | 231.4 | 9.11 | 20.0 | 0.79 | 50.0 | 1.97 | 73.5 | 2.89 | 93.9 | 3.70 | 127.1 | 5.00 | ✓ | ✓ | |

Non standard material and color:
See uni Material and Color Overview.

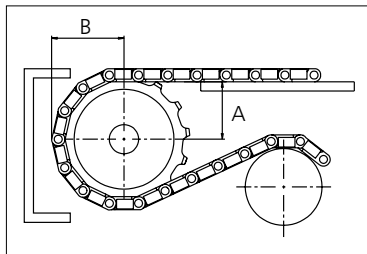
Machined sprocket



Cast iron sprocket



SS304 sprocket



Please ensure that sufficient size shaft and keyway are chosen for corresponding load.

Other sprocket sizes are available upon request
Width of tooth: 11.0 mm/0.43 in
Width of sprocket: 42.3 mm/1.66 in
uni Retainer Rings: See uni Retainer Ring data sheet



Expert advice, quality solutions and local service for all your belting needs
www.ammeraalbeltech.com

Ammeraal Beltech Modular A/S
Hjulmagervej 21
DK-7100 Vejle

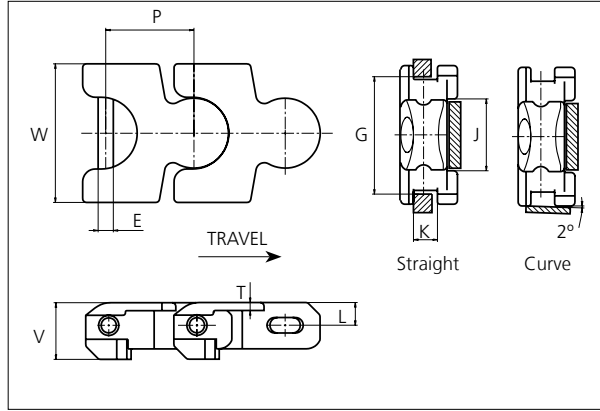
T +45 7572 3100
F +45 7572 3348
admin@unichains.com
www.unichains.com

This information is subject to alteration due to continuous development. Ammeraal Beltech will not be held liable for the incorrect use of the above stated information. This information replaces previous information. All activities performed and services rendered by Ammeraal Beltech are subject to general terms and conditions of sale and delivery, as applied by its operating companies.



uni Flex Plastic Chain

Series **uni 2700** Type -



uni Flex Plastic Chain
 Side flexing chain
 Pitch: 70.0 mm (2.76 in)
 Backflex radius:
 200 mm (8.00 in)
 Permissible tensile strength:
 POM material:
 11000 N (2473 lbf)

 Standard shipping lengths:
 boxes of 72 links
 = 5.040 m (16.5 ft)

STANDARD

| E | | G | | J | | K | | L | | P | | T | | V | |
|------|------|------|------|------|------|------|------|------|------|------|------|-----|------|------|------|
| mm | in | mm | in | mm | in | mm | in | mm | in | mm | in | mm | in | mm | in |
| 12.0 | 0.47 | 92.0 | 3.64 | 57.0 | 2.24 | 19.0 | 0.75 | 18.5 | 0.71 | 70.0 | 2.76 | 6.3 | 0.25 | 45.0 | 1.77 |

All dimensions are for chains in POM material.

| Width (W) | | Material & color | Pin material | Weight | | Min. radius (R) | |
|-----------|------|------------------------------------|--------------|--------|-------|-----------------|-------|
| mm | in | | | kg/m | lb/ft | mm | in |
| 110.0 | 4.33 | POM-D W POM-LF BR | SS304 | 4.6 | 3.09 | 300.0 | 11.81 |

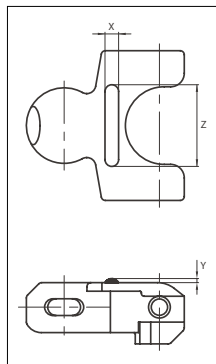
Non standard material and color: See uni Material and Color Overview.

Non standard pin material: See uni Material and Color Overview.

SIDE FLEXING

Accessories

Rubber Top/NON STANDARD



| Link material | Rubber material | Z | | X | | Y | |
|----------------|-----------------|------|------|------|------|-----|------|
| | | mm | in | mm | in | mm | in |
| POM-D W | 05 I | 10.0 | 0.39 | 60.0 | 2.36 | 3.0 | 0.12 |

When ordering, please state the required distance between the Rubber Top.

Other Non Standard rubber profiles:
 See uni Rubber Profile Overview

PITCH 70.0 MM/2.76 IN

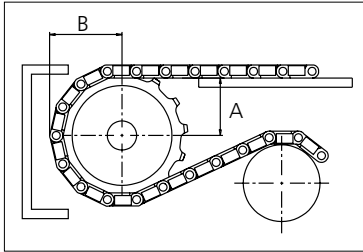


Sprocket

| No of teeth | Pitch diameter | | Overall diameter | | Min. ø bore | | Max. ø bore | | Hub diameter | | Dimension A | | Dimension B | | Machined  PAG |
|-------------|----------------|------|------------------|-----|-------------|-----|-------------|-----|--------------|-----|-------------|-----|-------------|-----|--------------------------------------------------------------------------------------------------|
| | mm | in | mm | in | mm | in | mm | in | mm | in | mm | in | mm | in | |
| Z8 | 182.8 | 7.20 | 184.0 | 7.2 | 20.00 | 0.8 | 50.00 | 2.0 | 73.50 | 2.9 | 92.80 | 3.7 | 116.70 | 4.6 | ✓ |
| Z10 | 226.4 | 8.91 | 227.6 | 9.0 | 20.00 | 0.8 | 50.00 | 2.0 | 73.50 | 2.9 | 116.00 | 4.6 | 137.60 | 5.4 | ✓ |

Non standard material and color:
See uni Material and Color Overview.

Machined sprocket



Please ensure that sufficient size shaft and keyway are chosen for corresponding load.

Other sprocket sizes are available upon request
Width of tooth: 15.0 mm/0.60 in
Width of sprocket: 42.3 mm/1.70 in
uni Retainer Rings: See uni Retainer Ring data sheet

uni 2700/160621



Conveyor Belts



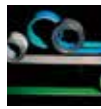
Seamless Belts



Modular Belts



Timing Belts



Transmission Belts



Fabrication & service

Solid advice
For all your belting needs
Local stock & service
www.ammeraalbeltech.com

Ammeraal Beltech Modular A/S
Hjulmagervej 21
DK-7100 Vejle

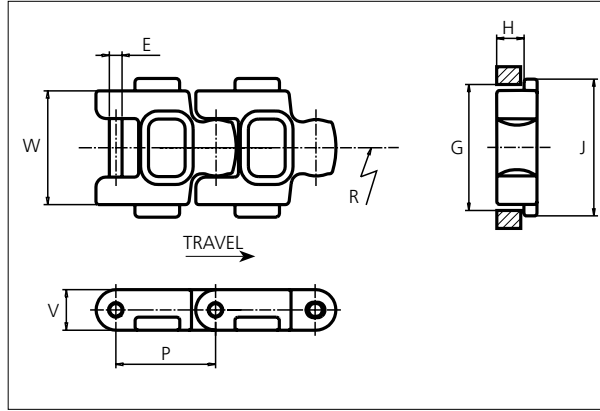
T +45 7572 3100
F +45 7572 3348
admin@unichains.com
www.unichains.com

This information is subject to alteration due to continuous development. Ammeraal Beltech will not be held liable for the incorrect use of the above stated information. This information replaces previous information. All activities performed and services rendered by Ammeraal Beltech are subject to general terms and conditions of sale and delivery, as applied by its operating companies.



uni Flex Plastic Chain

Series **uni 3200** Type **Tab**



uni Flex Plastic Chain
 Side flexing chain
 Pitch: 50.8 mm (2.00 in)
 Backflex radius:
 60.0 mm (2.40 in)
 Permissible tensile strength:
 POM material: 2525 N (568 lbf)

 Standard shipping lengths:
 boxes of 120 links
 = 6.096 m (20.0 ft)

STANDARD

| E | | G | | J | | H | | P | | V | |
|-----|------|------|------|------|------|------|------|------|------|------|------|
| mm | in | mm | in | mm | in | mm | in | mm | in | mm | in |
| 6.4 | 0.25 | 59.5 | 2.34 | 69.9 | 2.75 | 13.8 | 0.54 | 50.8 | 2.00 | 20.3 | 0.80 |

All dimensions are for chains in POM material.

| Width (W) | | Material & color | Pin material | Weight | | Min. radius R | |
|-----------|------|------------------|--------------|--------|-------|---------------|-------|
| mm | in | | | kg/m | lb/ft | mm | in |
| 57.2 | 2.25 | POM-DI G | SS304 | 1.3 | 0.87 | 406.0 | 16.00 |

Non standard material and color: See uni Material and Color Overview.


Non standard pin material: See uni Material and Color Overview.

SIDE FLEXING

PITCH 50.8 MM/2.00 IN

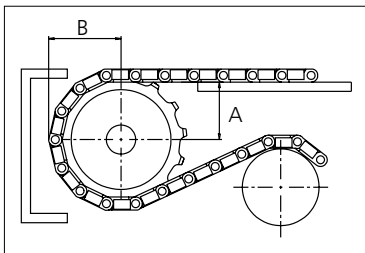


Sprocket

| No of teeth | Pitch diameter | | Overall-diameter | | Min. ø bore | | Max. ø bore | | Hub-diameter | | Dimension A | | Dimension B | | Machined  PAG |
|-------------|----------------|------|------------------|------|-------------|------|-------------|------|--------------|------|-------------|------|-------------|------|--------------------------------------------------------------------------------------------------|
| | mm | in | mm | in | mm | in | mm | in | mm | in | mm | in | mm | in | |
| Z8 | 132.9 | 5.23 | 134.0 | 5.30 | 19.1 | 0.80 | 40.0 | 1.60 | 65.0 | 2.60 | 51.2 | 2.00 | 79.6 | 3.10 | ✓ |
| Z10 | 164.5 | 6.48 | 160.0 | 6.30 | 19.1 | 0.80 | 40.0 | 1.60 | 65.0 | 2.60 | 68.0 | 2.70 | 92.4 | 3.60 | ✓ |
| Z10 | 164.5 | 6.48 | 160.0 | 6.30 | 40.0 | 1.60 | 70.0 | 2.80 | 120.0 | 4.70 | 68.0 | 2.70 | 92.4 | 3.60 | ✓ |
| Z12 | 194.4 | 7.65 | 204.0 | 8.00 | 19.1 | 0.80 | 40.0 | 1.60 | 65.0 | 2.60 | 84.7 | 3.30 | 108.4 | 4.30 | ✓ |
| Z12 | 194.4 | 7.65 | 204.0 | 8.00 | 40.0 | 1.60 | 70.0 | 2.80 | 120.0 | 4.70 | 84.7 | 3.30 | 108.4 | 4.30 | ✓ |
| Z15 | 244.4 | 9.62 | 250.0 | 9.80 | 19.1 | 0.80 | 40.0 | 1.60 | 65.0 | 2.60 | 109.4 | 4.30 | 132.4 | 5.20 | ✓ |
| Z15 | 244.4 | 9.62 | 250.0 | 9.80 | 40.0 | 1.60 | 70.0 | 2.80 | 120.0 | 4.70 | 109.4 | 4.30 | 132.4 | 5.20 | ✓ |

Non standard material and color:
See uni Material and Color Overview.

Machined sprocket



Please ensure that sufficient size shaft and keyway are chosen for corresponding load.

Other sprocket sizes are available upon request
Width of tooth: 25.0 mm/1.00 in
Width of sprocket: 42.3 mm/1.70 in
uni Retainer Rings: See uni Retainer Ring data sheet

uni 3200 Tab/160621



Solid advice
For all your belting needs
Local stock & service
www.ammeraalbeltech.com

Ammeraal Beltech Modular A/S
Hjulmagervej 21
DK-7100 Vejle

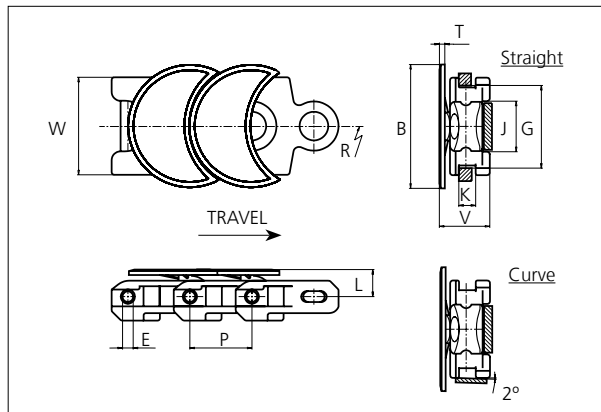
T +45 7572 3100
F +45 7572 3348
admin@unichains.com
www.unichains.com

This information is subject to alteration due to continuous development. Ammeraal Beltech will not be held liable for the incorrect use of the above stated information. This information replaces previous information. All activities performed and services rendered by Ammeraal Beltech are subject to general terms and conditions of sale and delivery, as applied by its operating companies.



uni Flex Plastic Chain

Series **uni 2700** Type **H**



uni Flex Plastic Chain
 Side flexing chain
 Pitch: 70.0 mm (2.76 in)
 Permissible tensile strength:
 POM material:
 11000 N (2473 lbf)
 Standard shipping lengths:
 boxes of 72 links
 = 5.040 m (16.5 ft)
Note that the 2700 H cannot backflex.

| B | | E | | G | | J | | K | | L | | P | | T | | V | |
|-------|------|------|------|------|------|------|------|------|------|------|------|------|------|-----|------|------|------|
| mm | in | mm | in | mm | in | mm | in | mm | in | mm | in | mm | in | mm | in | mm | in |
| 139.0 | 5.47 | 12.0 | 0.47 | 92.0 | 3.62 | 57.0 | 2.24 | 19.0 | 0.75 | 29.4 | 1.16 | 70.0 | 2.76 | 6.1 | 0.24 | 56.4 | 2.22 |

All dimensions are for chains in POM material.

| Width (W) | | Recommended base material & color | Recommended plate material & color | Weight | | Min. radius (R) | |
|-----------|------|------------------------------------------------------|------------------------------------------------------|--------|-------|-----------------|-------|
| mm | in | | | kg/m | lb/ft | mm | in |
| 110.0 | 4.33 | POM-D W POM-D G POM-LF BR | POM-D W POM-D G POM-LF BR | 5.6 | 3.76 | 600.0 | 23.62 |

Non standard base material and color: See uni Material and Color Overview.

Non standard plate material and color: See uni Material and Color Overview.

NON STANDARD

SIDE FLEXING

PITCH 70.0 MM/2.76 IN

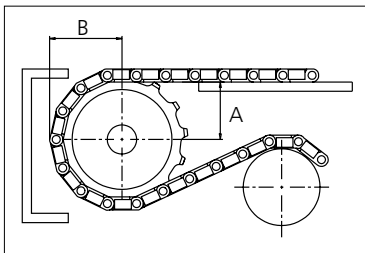


Sprocket

| No of teeth | Pitch diameter | | Overall-diameter | | Min. ø bore | | Max. ø bore | | Hub-diameter | | Dimension A | | Dimension B | |  Machined PAG |
|-------------|----------------|------|------------------|-----|-------------|-----|-------------|-----|--------------|-----|-------------|-----|-------------|-----|-----------------------------------------------------------------------------------------------------|
| | mm | in | mm | in | mm | in | mm | in | mm | in | mm | in | mm | in | |
| Z8 | 182.8 | 7.20 | 184.0 | 7.2 | 20.00 | 0.8 | 50.00 | 2.0 | 73.50 | 2.9 | 92.80 | 3.7 | 116.70 | 4.6 | ✓ |
| Z10 | 226.4 | 8.91 | 227.6 | 9.0 | 20.00 | 0.8 | 50.00 | 2.0 | 73.50 | 2.9 | 116.00 | 4.6 | 137.60 | 5.4 | ✓ |

Non standard material and color:
See uni Material and Color Overview.

Machined sprocket



Please ensure that sufficient size shaft and keyway are chosen for corresponding load.

Other sprocket sizes are available upon request
 Width of tooth: 15.0 mm/0.60 in
 Width of sprocket: 42.3 mm/1.70 in
 uni Retainer Rings: See uni Retainer Ring data sheet

uni 2700 HV160621



Conveyor Belts



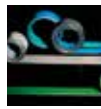
Seamless Belts



Modular Belts



Timing Belts



Transmission Belts



Fabrication & service

Solid advice
 For all your belting needs
 Local stock & service
www.ammeraalbeltech.com

Ammeraal Beltech Modular A/S
 Hjulmagervej 21
 DK-7100 Vejle

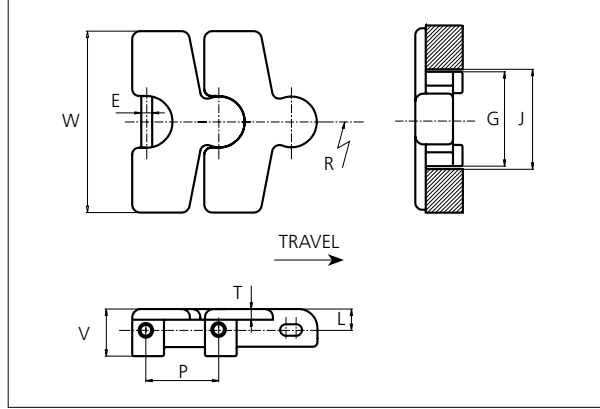
T +45 7572 3100
 F +45 7572 3348
 admin@unichains.com
 www.unichains.com

This information is subject to alteration due to continuous development. Ammeraal Beltech will not be held liable for the incorrect use of the above stated information. This information replaces previous information. All activities performed and services rendered by Ammeraal Beltech are subject to general terms and conditions of sale and delivery, as applied by its operating companies.



uni Flex Plastic Chain

Series **uni 3000** Type -



uni Flex Plastic Chain
 Side flexing chain
 Pitch: 80.1 mm (3.15 in)
 Backflex radius:
 200.0 mm (8.00 in)
 Permissible tensile strength:
 POM material
 11000 N (2473 lbf)

 Standard shipping lengths:
 boxes of 38 links
 = 3.044 m (10.0 ft)

NON STANDARD

| E | | G | | J | | L | | P | | T | | V | |
|------|------|-------|------|-------|------|------|------|------|------|-----|------|------|------|
| mm | in | mm | in | mm | in | mm | in | mm | in | mm | in | mm | in |
| 12.1 | 0.48 | 104.0 | 4.09 | 110.0 | 4.33 | 28.4 | 1.12 | 80.1 | 3.15 | 9.0 | 0.35 | 52.0 | 2.05 |

All dimensions are for chains in POM material.

| Width (W) | | Recommended Material & color | Recommended Pin material | Weight | | Min radius R | |
|-----------|------|-------------------------------|--------------------------|--------|-------|--------------|-------|
| mm | in | | | kg/m | lb/ft | mm | in |
| 200.0 | 7.87 | POM-D W POM-D G | SS304 | 5.8 | 3.90 | 600.0 | 23.62 |


Non standard material and color: See uni Material and Color Overview.
 Non standard pin material: See uni Material and Color Overview.

SIDE FLEXING

PITCH 80.1 MM/3.15 IN

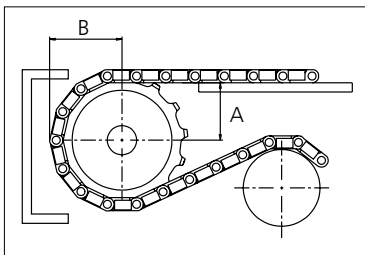


Sprocket

| No of teeth | Pitch diameter | | Overall-diameter | | Min. ø bore | | Max. ø bore | | Hub-diameter | | Dimension A | | Dimension B | |  Machined PAG |
|-------------|----------------|------|------------------|------|-------------|------|-------------|------|--------------|------|-------------|------|-------------|------|-----------------------------------------------------------------------------------------------------|
| | mm | in | mm | in | mm | in | mm | in | mm | in | mm | in | mm | in | |
| Z10 | 226.4 | 8.91 | 227.6 | 8.96 | 20.0 | 0.79 | 50.0 | 1.97 | 73.5 | 2.89 | 116.0 | 4.57 | 137.6 | 5.42 | ✓ |

Non standard material and color:
See uni Material and Color Overview.

Machined sprocket



Please ensure that sufficient size shaft and keyway are chosen for corresponding load.

Other sprocket sizes are available upon request
 Width of tooth: 15.0 mm/0.60 in
 Width of sprocket: 42.3 mm/1.66 in
 uni Retainer Rings: See uni Retainer Ring data sheet

uni 3000/160623



Conveyor Belts



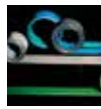
Seamless Belts



Modular Belts



Timing Belts



Transmission Belts



Fabrication & service

Expert advice, quality solutions and local service for all your belting needs
www.ammeraalbeltech.com

Ammeraal Beltech Modular A/S
 Hjulmagervej 21
 DK-7100 Vejle

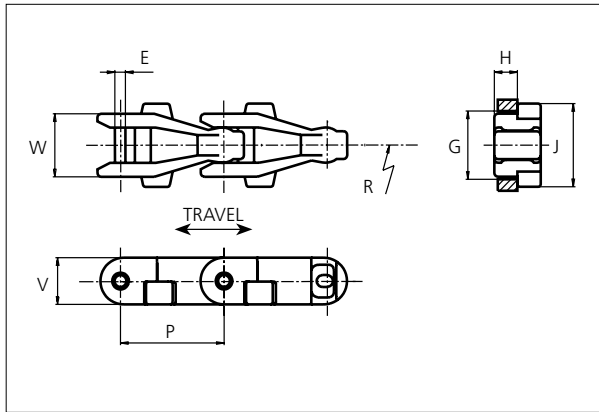
T +45 7572 3100
 F +45 7572 3348
 admin@unichains.com
 www.unichains.com

This information is subject to alteration due to continuous development. Ammeraal Beltech will not be held liable for the incorrect use of the above stated information. This information replaces previous information. All activities performed and services rendered by Ammeraal Beltech are subject to general terms and conditions of sale and delivery, as applied by its operating companies.



uni Flex Plastic Chain

Series **uni 2800** Type **Tab**



uni Flex Plastic Chain
 Side flexing chain
 Pitch: 82.5 mm (3.25 in)
 Backflex radius:
 75.0 mm (2.90 in)
 Permissible tensile strength:
 POM material:
 6000 N (1349 lbf)

 Standard shipping lengths:
 boxes of 74 links
 = 6.105 m (20.0 ft)

STANDARD

| E | | G | | H | | J | | P | | V | |
|-----|------|------|------|------|------|------|------|------|------|------|------|
| mm | in | mm | in | mm | in | mm | in | mm | in | mm | in |
| 9.5 | 0.37 | 54.0 | 2.13 | 18.1 | 0.71 | 67.4 | 2.65 | 82.5 | 3.25 | 37.3 | 1.47 |

All dimensions are for chains in POM material.

| Width (W) | | Material & color | Pin material | Weight | | Min. radius (R) | |
|-----------|------|------------------|--------------|--------|-------|-----------------|-------|
| mm | in | | | kg/m | lb/ft | mm | in |
| 53.5 | 2.11 | POM-D W | SS304 | 1.7 | 1.14 | 500 | 19.69 |

Non standard material and color: See uni Material and Color Overview.


Non standard pin material: See uni Material and Color Overview.

UNI FLEX PLASTIC CHAIN

PITCH 82.5 MM/3.25 IN

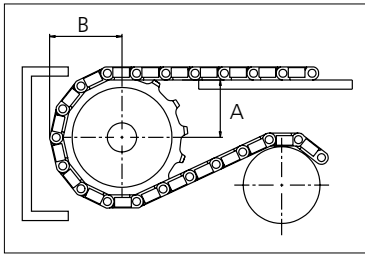


Sprocket

| No of teeth | Pitch diameter | | Overall-diameter | | Min. ø bore | | Max. ø bore | | Hub-diameter | | Dimension A | | Dimension B | |  Machined PAG |
|-------------|----------------|-------|------------------|-------|-------------|------|-------------|------|--------------|------|-------------|------|-------------|------|-----------------------------------------------------------------------------------------------------|
| | mm | in | mm | in | mm | in | mm | in | mm | in | mm | in | mm | in | |
| Z6 | 165.0 | 6.50 | 168.0 | 6.60 | 20.0 | 0.80 | 40.0 | 1.60 | 63.0 | 2.50 | 53.0 | 2.10 | 101.0 | 4.00 | ✓ |
| Z8 | 215.6 | 8.49 | 224.0 | 8.80 | 20.0 | 0.80 | 50.0 | 2.00 | 73.5 | 2.90 | 81.1 | 3.20 | 126.3 | 5.00 | ✓ |
| Z10 | 267.0 | 10.51 | 277.0 | 10.90 | 20.0 | 0.80 | 50.0 | 2.00 | 73.5 | 2.90 | 108.5 | 4.30 | 152.0 | 6.00 | ✓ |

Non standard material and color:
See uni Material and Color Overview.

Machined sprocket



Please ensure that sufficient size shaft and keyway are chosen for corresponding load.

Other sprocket sizes are available upon request
 Width of tooth: 15.0 mm/0.59 in
 Width of sprocket: 42.3 mm/1.67 in
 uni Retainer Rings: See uni Retainer Ring data sheet

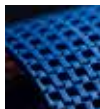
uni 2800 Tab/160624



Conveyor Belts



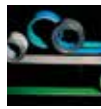
Seamless Belts



Modular Belts



Timing Belts



Transmission Belts



Fabrication & service

Solid advice
 For all your belting needs
 Local stock & service
www.ammeraalbeltech.com

Ammeraal Beltech Modular A/S
 Hjulmagervej 21
 DK-7100 Vejle

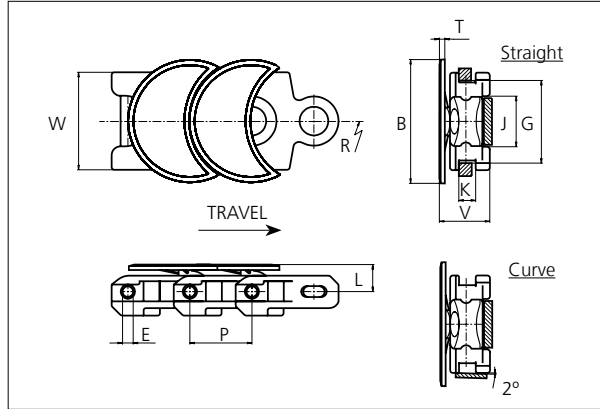
T +45 7572 3100
 F +45 7572 3348
 admin@unichains.com
 www.unichains.com

This information is subject to alteration due to continuous development. Ammeraal Beltech will not be held liable for the incorrect use of the above stated information. This information replaces previous information. All activities performed and services rendered by Ammeraal Beltech are subject to general terms and conditions of sale and delivery, as applied by its operating companies.



uni Flex Plastic Chain

Series **uni 2700** Type **H R**



uni Flex Plastic Chain
 Side flexing chain
 Pitch: 70.0 mm (2.76 in)
 Permissible tensile strength:
 POM material
 11000 N (2473 lbf)

 Standard shipping lengths:
 boxes of 72 links
 = 5.040 m (16.5 ft)

Note that the 2700 H R cannot backflex.

NON STANDARD

| B | | E | | G | | J | | K | | L | | P | | T | | V | |
|-------|------|------|------|------|------|------|------|------|------|------|------|------|------|-----|------|------|------|
| mm | in | mm | in | mm | in | mm | in | mm | in | mm | in | mm | in | mm | in | mm | in |
| 139.0 | 5.47 | 12.0 | 0.47 | 92.0 | 3.62 | 57.0 | 2.24 | 19.0 | 0.75 | 29.4 | 1.16 | 70.0 | 2.76 | 6.1 | 0.24 | 56.4 | 2.22 |

All dimensions are for chains in POM material.

| Width (W) | | Recommended base material & color | Recommended plate material & color | Weight | | Min. radius (R) | |
|-----------|------|------------------------------------------------------|------------------------------------------------------|--------|-------|-----------------|------|
| mm | in | | | kg/m | lb/ft | mm | in |
| 110.0 | 4.33 | POM-D W POM-D G POM-LF BR | POM-D W POM-D G POM-LF BR | 4.33 | 5.4 | 250.0 | 9.84 |

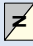
Non standard base material and color: See uni Material and Color Overview.
 Non standard plate material and color: See uni Material and Color Overview.

SIDE FLEXING

PITCH 70.0 MM/2.76 IN

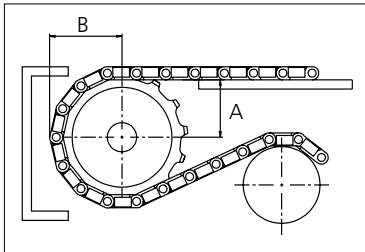


Sprocket

| No of teeth | Pitch diameter | | Overall-diameter | | Min. ø bore | | Max. ø bore | | Hub-diameter | | Dimension A | | Dimension B | |  Machined PA6 |
|-------------|----------------|------|------------------|-----|-------------|-----|-------------|-----|--------------|-----|-------------|-----|-------------|-----|-----------------------------------------------------------------------------------------------------|
| | mm | in | mm | in | mm | in | mm | in | mm | in | mm | in | mm | in | |
| Z8 | 182.8 | 7.20 | 184.0 | 7.2 | 20.00 | 0.8 | 50.00 | 2.0 | 73.50 | 2.9 | 92.80 | 3.7 | 116.70 | 4.6 | ✓ |
| Z10 | 226.4 | 8.91 | 227.6 | 9.0 | 20.00 | 0.8 | 50.00 | 2.0 | 73.50 | 2.9 | 116.00 | 4.6 | 137.60 | 5.4 | ✓ |

Non standard material and color:
See uni Material and Color Overview.

Machined sprocket



Please ensure that sufficient size shaft and keyway are chosen for corresponding load.

Other sprocket sizes are available upon request
 Width of tooth: 15.0 mm/0.60 in
 Width of sprocket: 42.3 mm/1.70 in
 uni Retainer Rings: See uni Retainer Ring data sheet

uni 2700 H R/160624



Solid advice
 For all your belting needs
 Local stock & service
www.ammeraalbeltech.com

Ammeraal Beltech Modular A/S
 Hjulmagervej 21
 DK-7100 Vejle

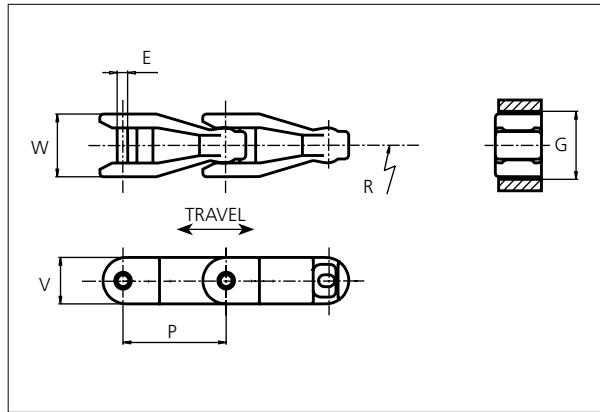
T +45 7572 3100
 F +45 7572 3348
 admin@unichains.com
 www.unichains.com

This information is subject to alteration due to continuous development. Ammeraal Beltech will not be held liable for the incorrect use of the above stated information. This information replaces previous information. All activities performed and services rendered by Ammeraal Beltech are subject to general terms and conditions of sale and delivery, as applied by its operating companies.



uni Flex Plastic Chain

Series **uni 2800** Type -



uni Flex Plastic Chain
 Side flexing chain
 Pitch: 82.5 mm (3.25 in)
 Backflex radius:
 75.0 mm (2.90 in)
 Permissible tensile strength:
 POM material:
 6000 N (1349 lbf)

 Standard shipping lengths:
 boxes of 74 links
 = 6.105 m (20.0 ft)

STANDARD

| E | | G | | P | | V | |
|-----|------|------|------|------|------|------|------|
| mm | in | mm | in | mm | in | mm | in |
| 9.5 | 0.37 | 54.0 | 2.13 | 82.5 | 3.25 | 37.3 | 1.47 |

All dimensions are for chains in POM material.

| Width (W) | | Material & color | Pin material | Weight | | Min. radius (R) | |
|-----------|------|------------------|--------------|--------|-------|-----------------|-------|
| mm | in | | | kg/m | lb/ft | mm | in |
| 53.5 | 2.11 | POM-D W | SS304 | 1.6 | 1.09 | 500 | 19.69 |

Non standard material and color: See uni Material and Color Overview.


Non standard pin material: See uni Material and Color Overview.

SIDE FLEXING

PITCH 82.5 MM/3.25 IN

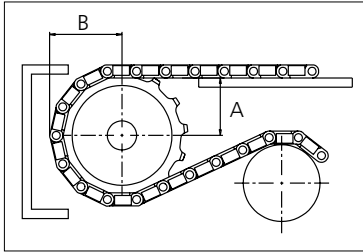


Sprocket

| No of teeth | Pitch diameter | | Overall-diameter | | Min. ø bore | | Max. ø bore | | Hub-diameter | | Dimension A | | Dimension B | |  Machined PA6 |
|-------------|----------------|-------|------------------|-------|-------------|------|-------------|------|--------------|------|-------------|------|-------------|------|-----------------------------------------------------------------------------------------------------|
| | mm | in | mm | in | mm | in | mm | in | mm | in | mm | in | mm | in | |
| Z6 | 165.0 | 6.50 | 168.0 | 6.60 | 20.0 | 0.80 | 40.0 | 1.60 | 63.0 | 2.50 | 53.0 | 2.10 | 101.0 | 4.00 | ✓ |
| Z8 | 215.6 | 8.49 | 224.0 | 8.80 | 20.0 | 0.80 | 50.0 | 2.00 | 73.5 | 2.90 | 81.1 | 3.20 | 126.3 | 5.00 | ✓ |
| Z10 | 267.0 | 10.51 | 277.0 | 10.90 | 20.0 | 0.80 | 50.0 | 2.00 | 73.5 | 2.90 | 108.5 | 4.30 | 152.0 | 6.00 | ✓ |

Non standard material and color:
See uni Material and Color Overview.

Machined sprocket



Please ensure that sufficient size shaft and keyway are chosen for corresponding load.

Other sprocket sizes are available upon request
 Width of tooth: 15.0 mm/0.59 in
 Width of sprocket: 42.3 mm/1.67 in
 uni Retainer Rings: See uni Retainer Ring data sheet

uni 2800/160624



Solid advice
 For all your belting needs
 Local stock & service
www.ammeraalbeltech.com

Ammeraal Beltech Modular A/S
 Hjulmagervej 21
 DK-7100 Vejle

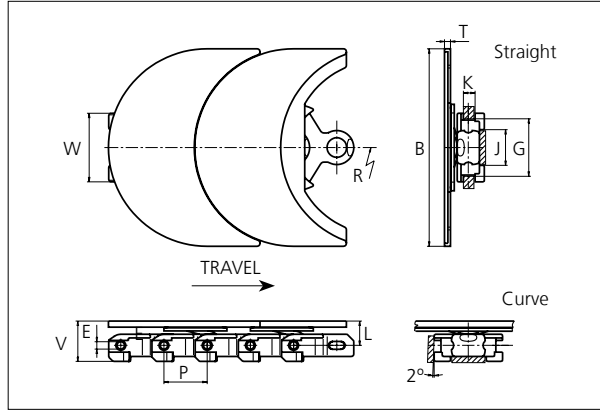
T +45 7572 3100
 F +45 7572 3348
 admin@unichains.com
 www.unichains.com

This information is subject to alteration due to continuous development. Ammeraal Beltech will not be held liable for the incorrect use of the above stated information. This information replaces previous information. All activities performed and services rendered by Ammeraal Beltech are subject to general terms and conditions of sale and delivery, as applied by its operating companies.



uni Flex Plastic Chain

Series **uni 2700** Type **LH**



uni Flex Chains
 Side flexing chain
 Pitch: 70.0 mm (2.76 in)
 Permissible tensile strength:
 POM material
 11000 N (2473 lbf)
 Standard shipping lengths:
 boxes of 36 links
 = 2.520 (8.25 ft)
Note that the 2700 LH cannot backflex.

NON STANDARD

| B | | E | | G | | J | | K | | L | | P | | T | | V | |
|-------|-------|------|------|------|------|------|------|------|------|------|------|------|------|-----|------|------|------|
| mm | in | mm | in | mm | in | mm | in | mm | in | mm | in | mm | in | mm | in | mm | in |
| 320.0 | 12.60 | 12.0 | 0.47 | 92.0 | 3.62 | 57.0 | 2.24 | 19.0 | 0.75 | 38.9 | 1.53 | 70.0 | 2.76 | 9.5 | 0.37 | 65.9 | 2.59 |

All dimensions are for chains in POM material.

| Width (W) | | Recommended base material & color | Recommended plate material & color | Weight | | Min. radius (R) | |
|-----------|------|-----------------------------------|------------------------------------|--------|-------|-----------------|-------|
| mm | in | | | kg/m | lb/ft | mm | in |
| 110.0 | 4.33 | POM-LF BR | PA6 K | 8.7 | 5.85 | 600.0 | 23.62 |

Non standard material and color: See uni Material and Color Overview.
 Non standard pin material: See uni Material and Color Overview.

SIDE FLEXING

PITCH 70.0 MM/2.76 IN

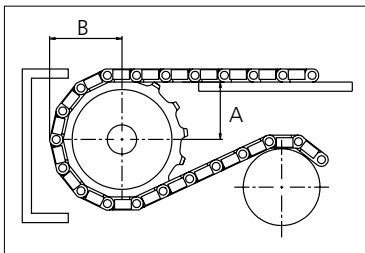


Sprocket

| No of teeth | Pitch diameter | | Overall-diameter | | Min. ø bore | | Max. ø bore | | Hub-diameter | | Dimension A | | Dimension B | | Machined  PAG  |
|-------------|----------------|------|------------------|-----|-------------|-----|-------------|-----|--------------|-----|-------------|-----|-------------|-----|--------------------------------------------------------------------------------------------------------------------------------------------------------------------------------------|
| | mm | in | mm | in | mm | in | mm | in | mm | in | mm | in | mm | in | |
| Z8 | 182.8 | 7.20 | 184.0 | 7.2 | 20.00 | 0.8 | 50.00 | 2.0 | 73.50 | 2.9 | 92.80 | 3.7 | 116.70 | 4.6 |  |
| Z10 | 226.4 | 8.91 | 227.6 | 9.0 | 20.00 | 0.8 | 50.00 | 2.0 | 73.50 | 2.9 | 116.00 | 4.6 | 137.60 | 5.4 |  |

Non standard material and color:
See uni Material and Color Overview.

Machined sprocket



Please ensure that sufficient size shaft and keyway are chosen for corresponding load.

Other sprocket sizes are available upon request
Width of tooth: 15.0 mm/0.60 in
Width of sprocket: 42.3 mm/1.70 in
uni Retainer Rings: See uni Retainer Ring data sheet

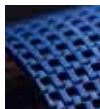
uni 2700 LH/160623



Conveyor Belts



Seamless Belts



Modular Belts



Timing Belts



Transmission Belts



Fabrication & service

Solid advice
For all your belting needs
Local stock & service
www.ammeraalbeltech.com

Ammeraal Beltech Modular A/S
Hjulmagervej 21
DK-7100 Vejle

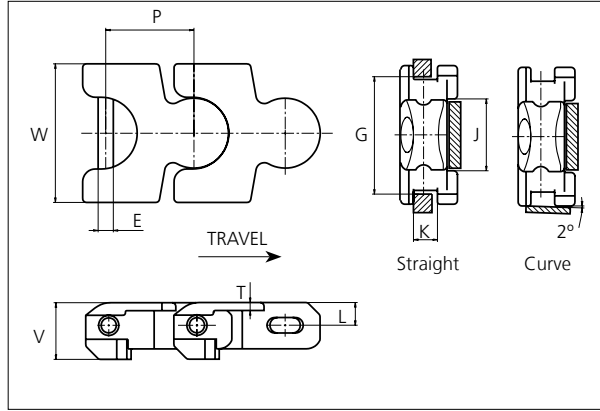
T +45 7572 3100
F +45 7572 3348
admin@unichains.com
www.unichains.com

This information is subject to alteration due to continuous development. Ammeraal Beltech will not be held liable for the incorrect use of the above stated information. This information replaces previous information. All activities performed and services rendered by Ammeraal Beltech are subject to general terms and conditions of sale and delivery, as applied by its operating companies.



uni Flex Plastic Chain

Series **uni 2700** Type **R**



uni Flex Plastic Chain
 Side flexing chain
 Pitch: 70.0 mm (2.76 in)
 Backflex radius:
 200 mm (8.00 in)
 Permissible tensile strength:
 POM material
 11000 N (2473 lbf)
 Standard shipping lengths:
 boxes of 72 links
 = 5.040 m (16.5 ft)

NON STANDARD

| E | | G | | J | | K | | L | | P | | T | | V | |
|------|------|------|------|------|------|------|------|------|------|------|------|-----|------|------|------|
| mm | in | mm | in | mm | in | mm | in | mm | in | mm | in | mm | in | mm | in |
| 12.0 | 0.47 | 92.0 | 3.64 | 57.0 | 2.24 | 19.0 | 0.75 | 18.5 | 0.71 | 70.0 | 2.76 | 6.3 | 0.25 | 45.0 | 1.77 |

All dimensions are for chains in POM material.

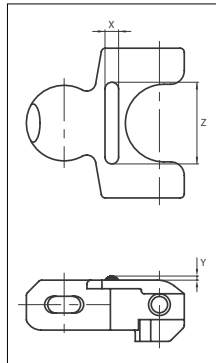
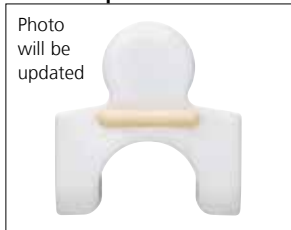
| Width (W) | | Recommended base material & color | Recommended pin material & color | Weight | | Min. radius (R) | |
|-----------|------|------------------------------------------------------|----------------------------------|--------|-------|-----------------|------|
| mm | in | | | kg/m | lb/ft | mm | in |
| 110.0 | 4.33 | POM-D W POM-D G POM-LF BR | SS304 | 4.4 | 2.96 | 250.0 | 9.84 |

Non standard material and color: See uni Material and Color Overview.
 Non standard pin material: See uni Material and Color Overview.

SIDE FLEXING

Accessories

Rubber Top



| Link material | Rubber material | Z | | X | | Y | |
|----------------|-----------------|------|------|------|------|-----|------|
| | | mm | in | mm | in | mm | in |
| POM-D W | 05 I | 10.0 | 0.39 | 30.0 | 1.18 | 3.0 | 0.12 |

When ordering, please state the required distance between the Rubber Top.

Other Non Standard rubber profiles:
 See uni Rubber Profile Overview

PITCH 70.0 MM/2.76 IN

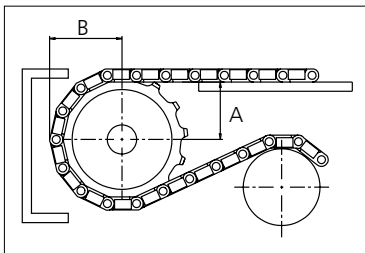


Sprocket

| No of teeth | Pitch diameter | | Overall diameter | | Min. ø bore | | Max. ø bore | | Hub diameter | | Dimension A | | Dimension B | |  Machined PAG |
|-------------|----------------|------|------------------|-----|-------------|-----|-------------|-----|--------------|-----|-------------|-----|-------------|-----|-----------------------------------------------------------------------------------------------------|
| | mm | in | mm | in | mm | in | mm | in | mm | in | mm | in | mm | in | |
| Z8 | 182.8 | 7.20 | 184.0 | 7.2 | 20.00 | 0.8 | 50.00 | 2.0 | 73.50 | 2.9 | 92.80 | 3.7 | 116.70 | 4.6 | ✓ |
| Z10 | 226.4 | 8.91 | 227.6 | 9.0 | 20.00 | 0.8 | 50.00 | 2.0 | 73.50 | 2.9 | 116.00 | 4.6 | 137.60 | 5.4 | ✓ |

Non standard material and color:
See uni Material and Color Overview.

Machined sprocket



Please ensure that sufficient size shaft and keyway are chosen for corresponding load.

Other sprocket sizes are available upon request
 Width of tooth: 15.0 mm/0.60 in
 Width of sprocket: 42.3 mm/1.70 in
 uni Retainer Rings: See uni Retainer Ring data sheet

uni 2700 R/160623



Solid advice
 For all your belting needs
 Local stock & service
www.ammeraalbeltech.com

Ammeraal Beltech Modular A/S
 Hjulmagervej 21
 DK-7100 Vejle

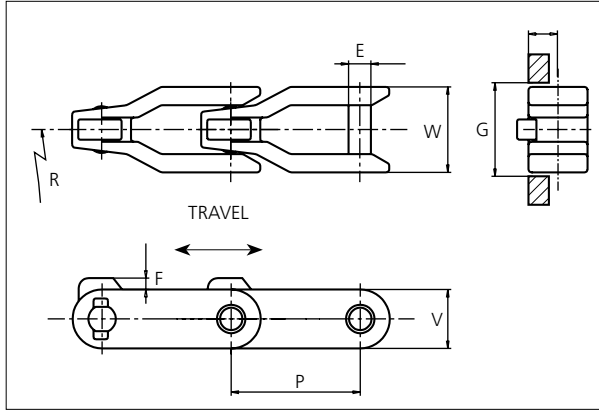
T +45 7572 3100
 F +45 7572 3348
 admin@unichains.com
 www.unichains.com

This information is subject to alteration due to continuous development. Ammeraal Beltech will not be held liable for the incorrect use of the above stated information. This information replaces previous information. All activities performed and services rendered by Ammeraal Beltech are subject to general terms and conditions of sale and delivery, as applied by its operating companies.



uni Flex Plastic Chain

Series **uni 2600** Type **O M**



uni Flex Chains
 Side flexing chain
 Pitch: 63.5 mm (2.50 in)
 Backflex radius:
 75.0 mm (3.00 in)
 Permissible tensile strength:
 POM material:
 6000 N (1349 lbf)

 Standard shipping lengths:
 boxes of 96 links
 = 6.096 m (20.0 ft)

NON STANDARD

| E | | F | | G | | P | | V | | W | |
|------|------|-----|------|------|------|------|------|------|------|------|------|
| mm | in | mm | in | mm | in | mm | in | mm | in | mm | in |
| 11.0 | 0.43 | 5.6 | 0.22 | 44.5 | 1.75 | 63.5 | 2.50 | 28.4 | 1.12 | 42.0 | 1.65 |

All dimensions are for chains in POM material.

| Nominal width (W) | | Material & color | Pin material | Weight | | Min. radius (R) | |
|-------------------|------|----------------------------------|--------------|--------|-------|-----------------|-------|
| mm | in | | | kg/m | lb/ft | mm | in |
| 42.0 | 1.65 | POM-D W G B | SS304 | 1.3 | 0.87 | 600 | 23.62 |

Non standard material and color: See uni Material and Color Overview.
 Non standard pin material: See uni Material and Color Overview.

SIDE FLEXING

PITCH 63.5 MM/2.50 IN



Sprocket

| No of teeth | Pitch diameter | | Overall-diameter | | Min. ø bore | | Max. ø bore | | Hub-diameter | | Dimension A | | Dimension B | | LG | Cast iron | SS304 |
|-------------|----------------|------|------------------|------|-------------|------|-------------|------|--------------|------|-------------|------|-------------|------|------------|-----------|----------|
| | mm | in | mm | in | mm | in | mm | in | mm | in | mm | in | mm | in | Molded PA6 | Molded | Machined |
| Z6 | 127.0 | 5.00 | 128.0 | 5.04 | 20.0 | 0.79 | 40.0 | 1.57 | 63.0 | 2.48 | 40.8 | 1.61 | 78.1 | 3.07 | ✓ | ✓ | |
| Z8 | 165.9 | 6.53 | 168.9 | 6.65 | 20.0 | 0.79 | 50.0 | 1.97 | 73.5 | 2.89 | 62.5 | 2.46 | 97.5 | 3.84 | ✓ | ✓ | ✓ |
| Z10 | 205.5 | 8.09 | 210.5 | 8.29 | 20.0 | 0.79 | 50.0 | 1.97 | 73.5 | 2.89 | 83.5 | 3.29 | 117.2 | 4.61 | ✓ | ✓ | |
| Z11 | 225.4 | 8.87 | 231.4 | 9.11 | 20.0 | 0.79 | 50.0 | 1.97 | 73.5 | 2.89 | 93.9 | 3.70 | 127.1 | 5.00 | ✓ | ✓ | |

Non standard material and color:
See uni Material and Color Overview.

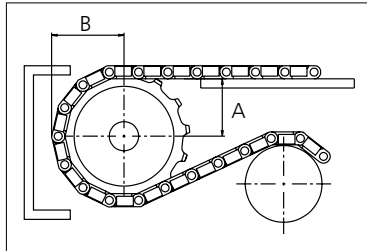
Machined sprocket



Cast iron sprocket



SS304 sprocket



Please ensure that sufficient size shaft and keyway are chosen for corresponding load.

Other sprocket sizes are available upon request.

Width of tooth: 11.0 mm/0.43 in

Width of sprocket: 42.3 mm/1.66 in

uni Retainer Rings: See uni Retainer Ring data sheet.

uni 2600 O/160624



Conveyor Belts



Seamless Belts



Modular Belts



Timing Belts



Transmission Belts



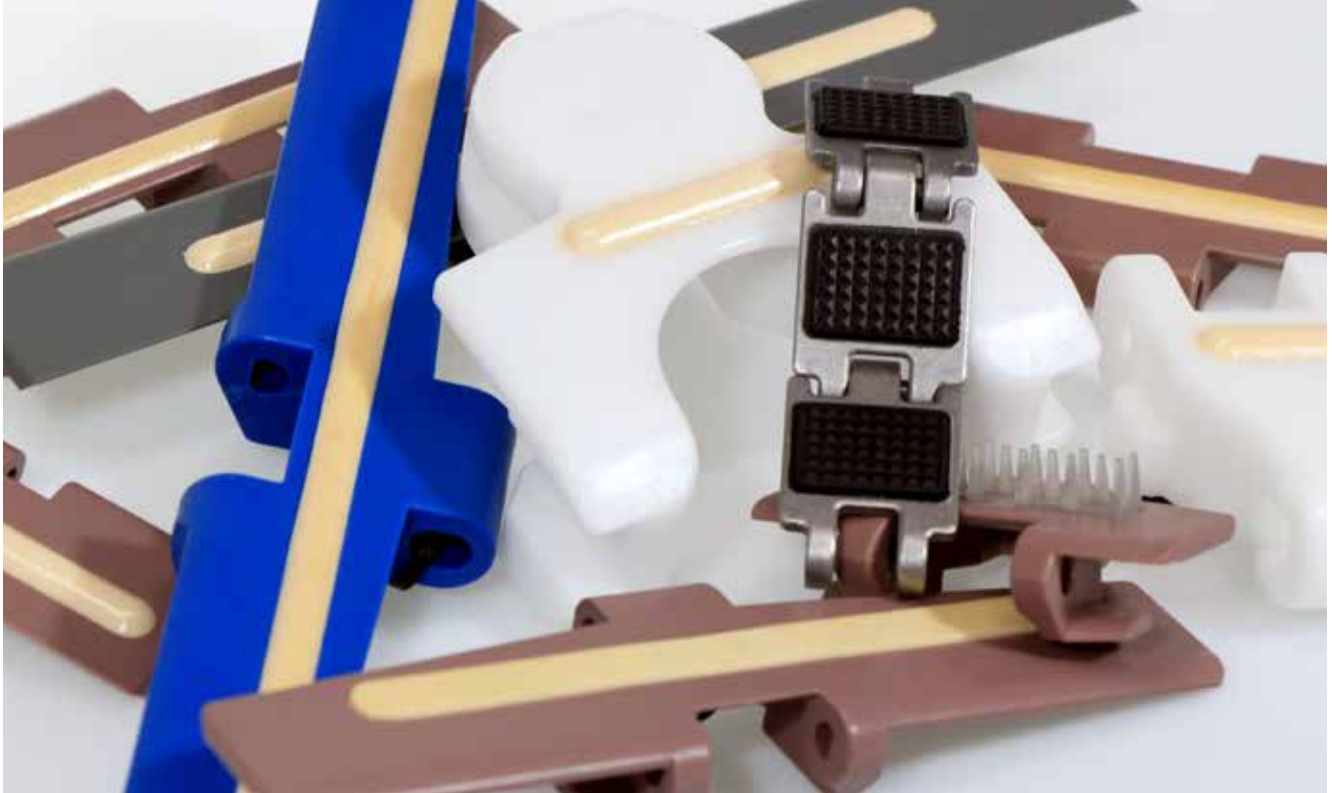
Fabrication & service

Expert advice, quality solutions and local service for all your belting needs
www.ammeraalbeltech.com

Ammeraal Beltech Modular A/S
Hjulmagervej 21
DK-7100 Vejle

T +45 7572 3100
F +45 7572 3348
admin@unichains.com
www.unichains.com


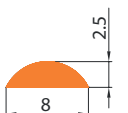


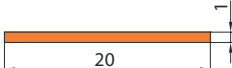
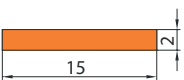
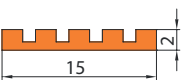
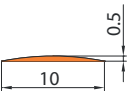
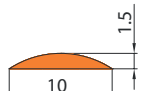
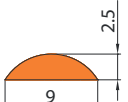
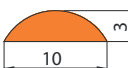
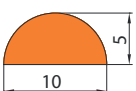
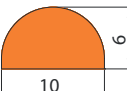
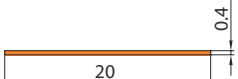
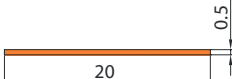
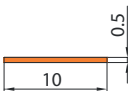

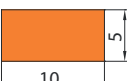
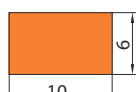
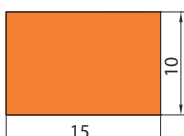
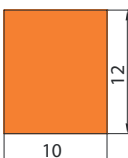

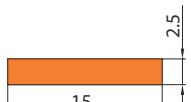
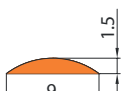
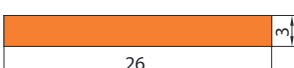

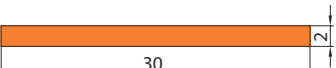
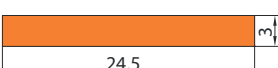
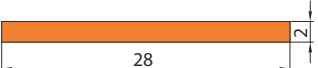
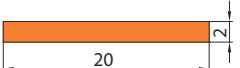
This information is subject to alteration due to continuous development. Ammeraal Beltech will not be held liable for the incorrect use of the above stated information. This information replaces previous information. All activities performed and services rendered by Ammeraal Beltech are subject to general terms and conditions of sale and delivery, as applied by its operating companies.



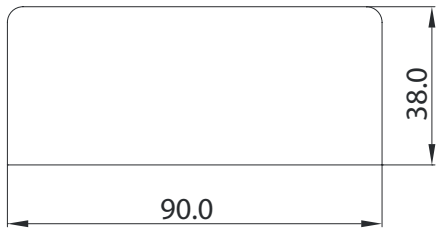
Rubber Profile overview

Inserts, Flights and Brushes for Chains

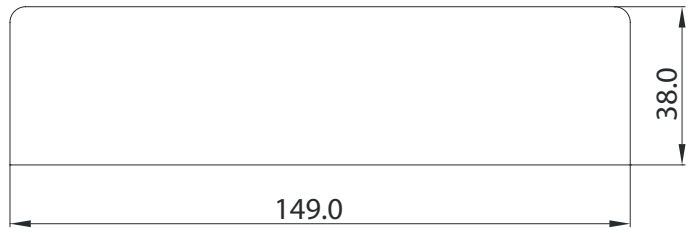
Rubber Inserts for Chains

| | | | | |
|-----------------------------------------------------------------------------------------------------|-----------------------------------------------------------------------------------------------------|------------------------------------------------------------------------------------------------------|-------------------------------------------------------------------------------------------------------|-------------------------------------------------------------------------------------------------------|
|  <p>Type I1</p> |  <p>Type I2</p> |  <p>Type I3</p> |  <p>Type I4</p> |  <p>Type I5</p> |
|  <p>Type I6</p> |  <p>Type I7</p> |  <p>Type I8</p> |  <p>Type I9</p> |  <p>Type I10</p> |
|  <p>Type I11</p> |  <p>Type I12</p> |  <p>Type I13</p> |  <p>Type I14</p> |  <p>Type I15</p> |
|  <p>Type I16</p> |  <p>Type I17</p> |  <p>Type I18</p> |  <p>Type I19</p> |  <p>Type I20</p> |
|  <p>Type I21</p> |  <p>Type I22</p> |  <p>Type I23</p> |  <p>Type I24</p> | |
|  <p>Type I25</p> |  <p>Type I26</p> |  <p>Type I27</p> |  <p>Type I28</p> | |
|  <p>Type I29</p> |  <p>Type I30</p> | | | |

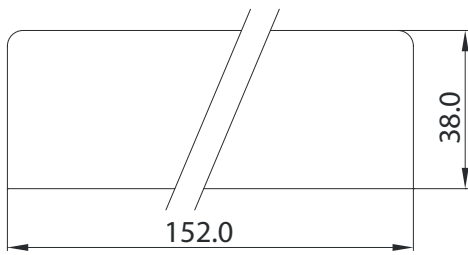
Rubber Flights for Chains



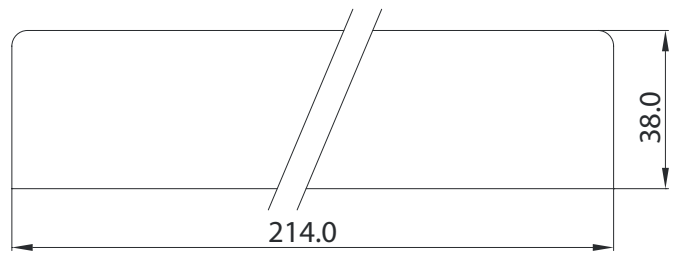
Type P1



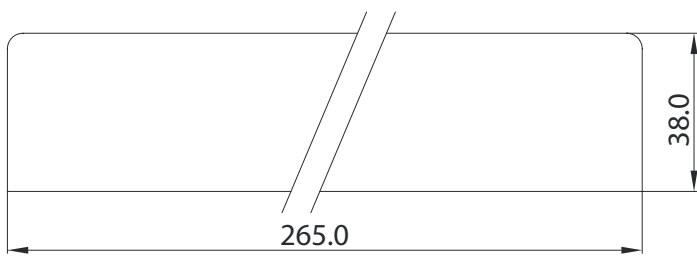
Type P2



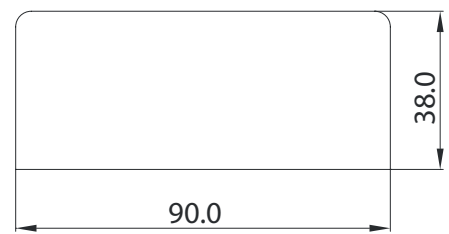
Type P3



Type P4

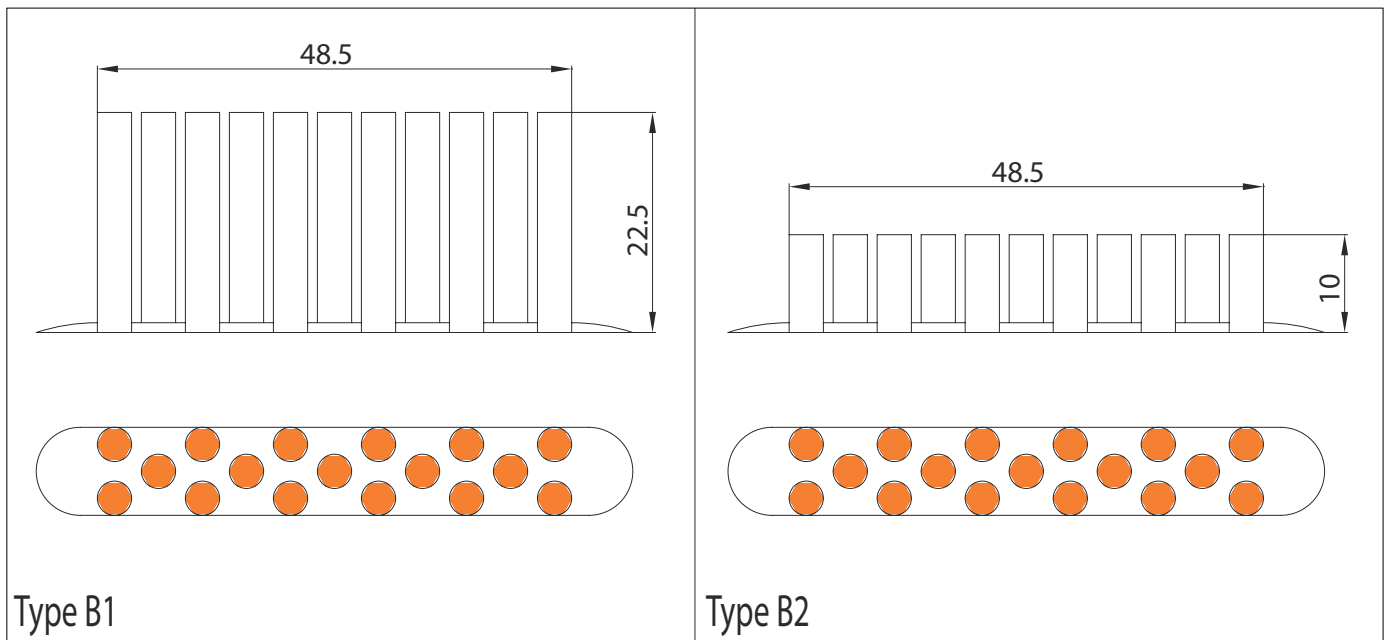


Type P5



Type P6

Rubber Brusch for Chains



In order to find out which specific rubber insert is available for a chain, please see "Rubber Profile overview – Excel" at www.unichains.com



Solid advice
For all your belting needs
Local stock & service
www.ammeraalbeltech.com

Ammeraal Beltech Modular A/S
 Hjulmagervej 21
 DK-7100 Vejle

T +45 7572 3100
 F +45 7572 3348
 admin@unichains.com
 www.unichains.com

This information is subject to alteration due to continuous development. Ammeraal Beltech will not be held liable for the incorrect use of the above stated information. This information replaces previous information. All activities performed and services rendered by Ammeraal Beltech are subject to general terms and conditions of sale and delivery, as applied by its operating companies.



Conveyor Belts



Seamless Belts



Modular Belts



Timing Belts



Transmission Belts



Fabrication & service

Expert advice, quality solutions
and local service
for all your belting needs
www.ammeraalbeltech.com

Global Headquarters:
Ammeraal Beltech Holding B.V.
P.O. Box 38, 1700 AA Heerhugowaard
The Netherlands

T +31 72 575 1212
F +31 72 571 6455
info@ammeraalbeltech.com

This information is subject to alteration due to continuous development. Ammeraal Beltech will not be held liable for the incorrect use of the above stated information. This information replaces previous information. All activities performed and services rendered by Ammeraal Beltech are subject to general terms and conditions of sale and delivery, as applied by its operating companies.